

[54] COMBINED SOAP DISPENSING AND ARTICLE STORAGE RACK FOR USE IN A SHOWER

[76] Inventor: Christopher Timmons, Rte. 1, Wheeling, Mo. 64688

[\*\*] Term: 14 Years

[21] Appl. No.: 157,501

[22] Filed: Feb. 19, 1988

[52] U.S. Cl. .... D6/524

[58] Field of Search ..... D6/524-525, D6/527, 542, 544-545; 206/77.1; 211/13, 71, 74-75, 86-87, 134; 222/129, 135, 173; 312/224, 245

[56] References Cited

U.S. PATENT DOCUMENTS

D. 180,566	7/1957	Sessions	.....	D4/3
D. 196,033	8/1963	Louchheim	.....	D4/3
D. 265,616	8/1982	Fischer	.....	D6/4
D. 274,393	6/1984	Sinchok	.....	D6/525
D. 275,631	9/1984	Licari	.....	D6/573

D. 279,062	6/1985	Kanfer	.....	D6/545
D. 286,599	11/1986	Sussman	.....	D6/525
3,813,072	5/1974	Moore	.....	248/313
3,869,183	3/1975	Frank, Jr.	.....	D6/525 X
4,150,869	4/1979	Hansen	.....	350/61
4,463,462	8/1984	Greenhut	.....	4/605
4,548,340	10/1985	Messer	.....	222/135

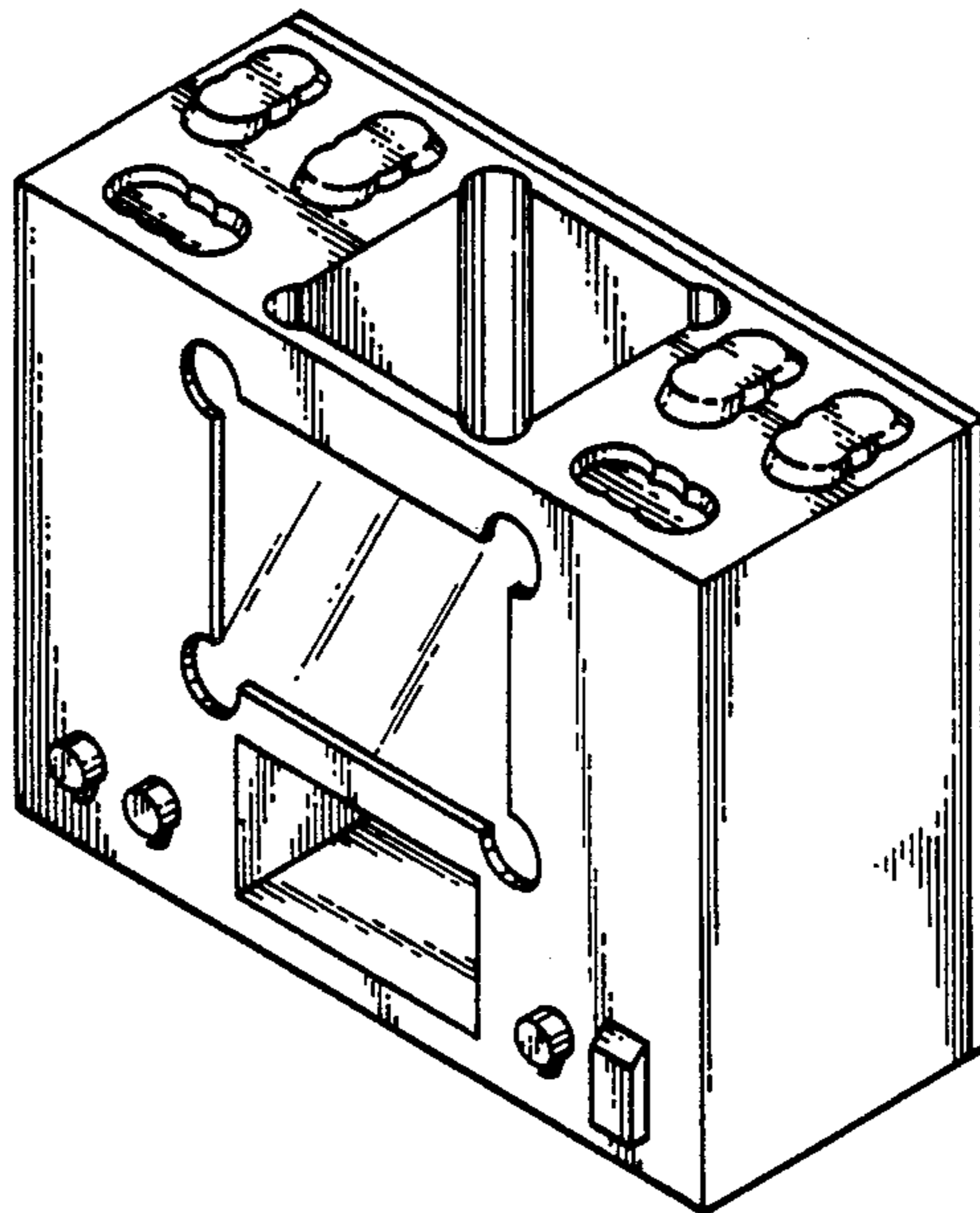
Primary Examiner—Wallace R. Burke  
Assistant Examiner—Brian N. Vinson  
Attorney, Agent, or Firm—Terry M. Gernstein

[57] CLAIM

The ornamental design for a combined soap dispensing and article storage rack for use in a shower, as shown and described.

DESCRIPTION

FIG. 1 is a top, front and right side perspective view of a combined soap dispensing and article storage rack for use in a shower showing my new design; FIG. 2 is a left side elevational view thereof; FIG. 3 is a right side elevational view thereof; FIG. 4 is a rear elevational view thereof; and FIG. 5 is a bottom plan view thereof.



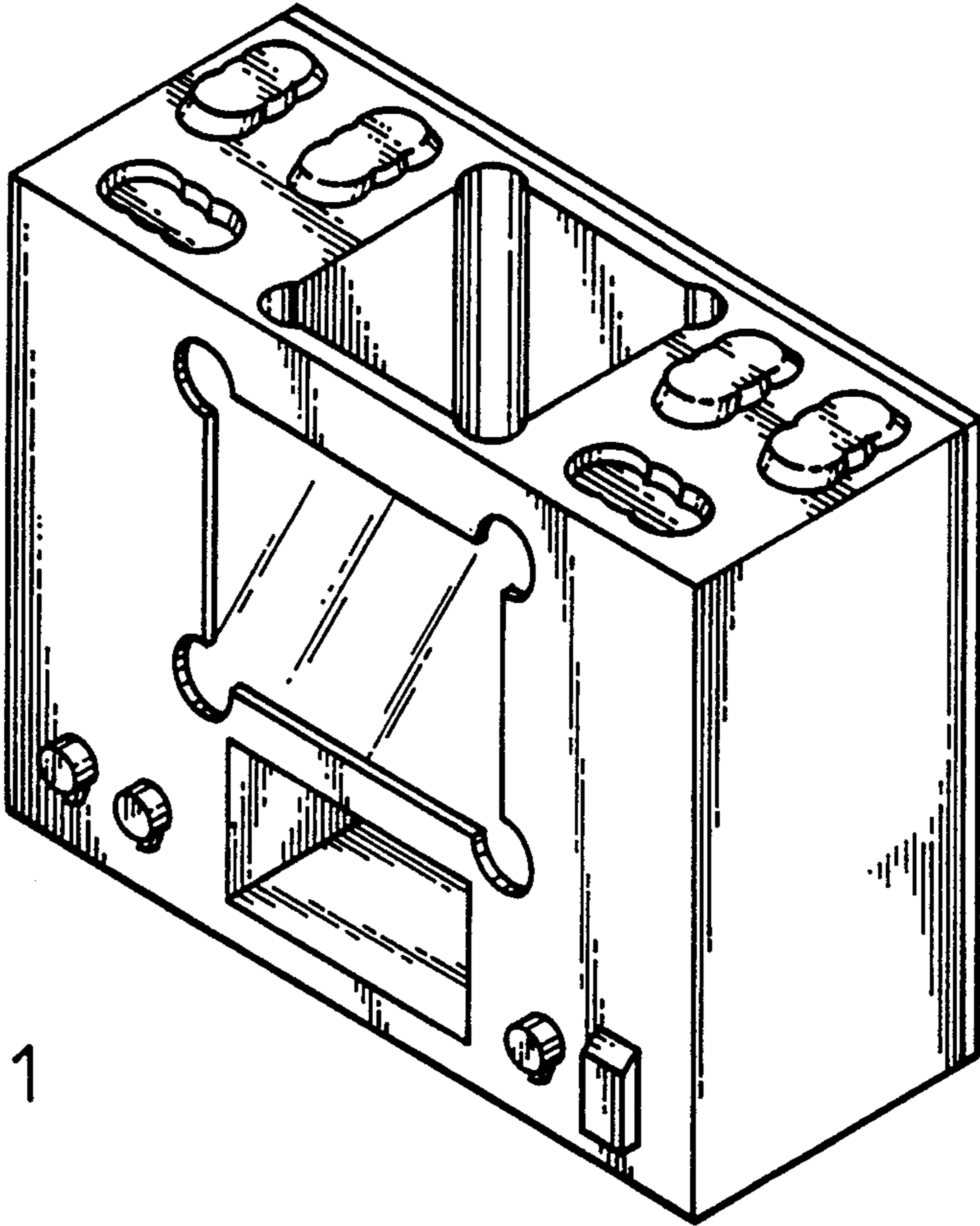


FIG. 1

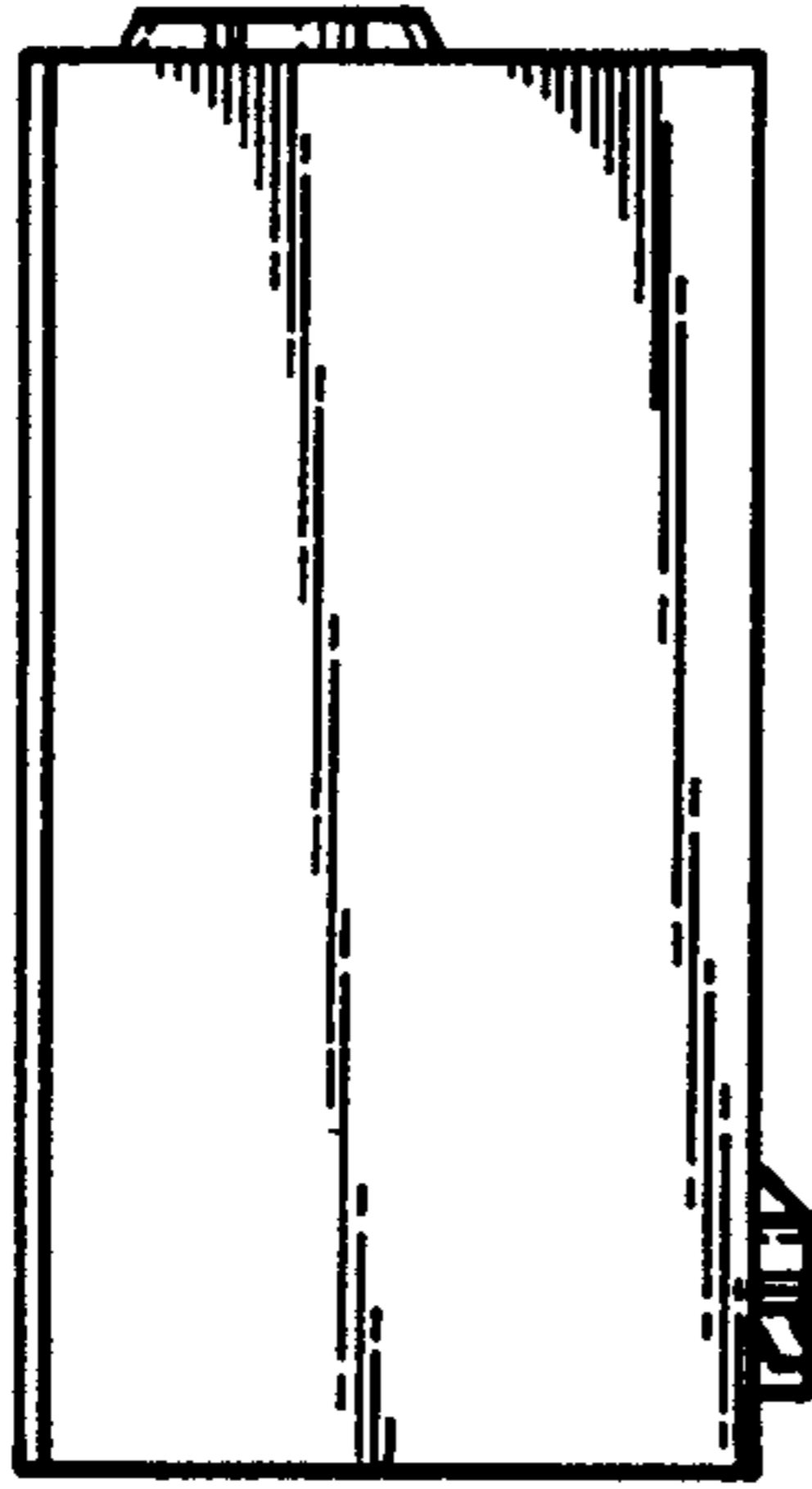


FIG. 2

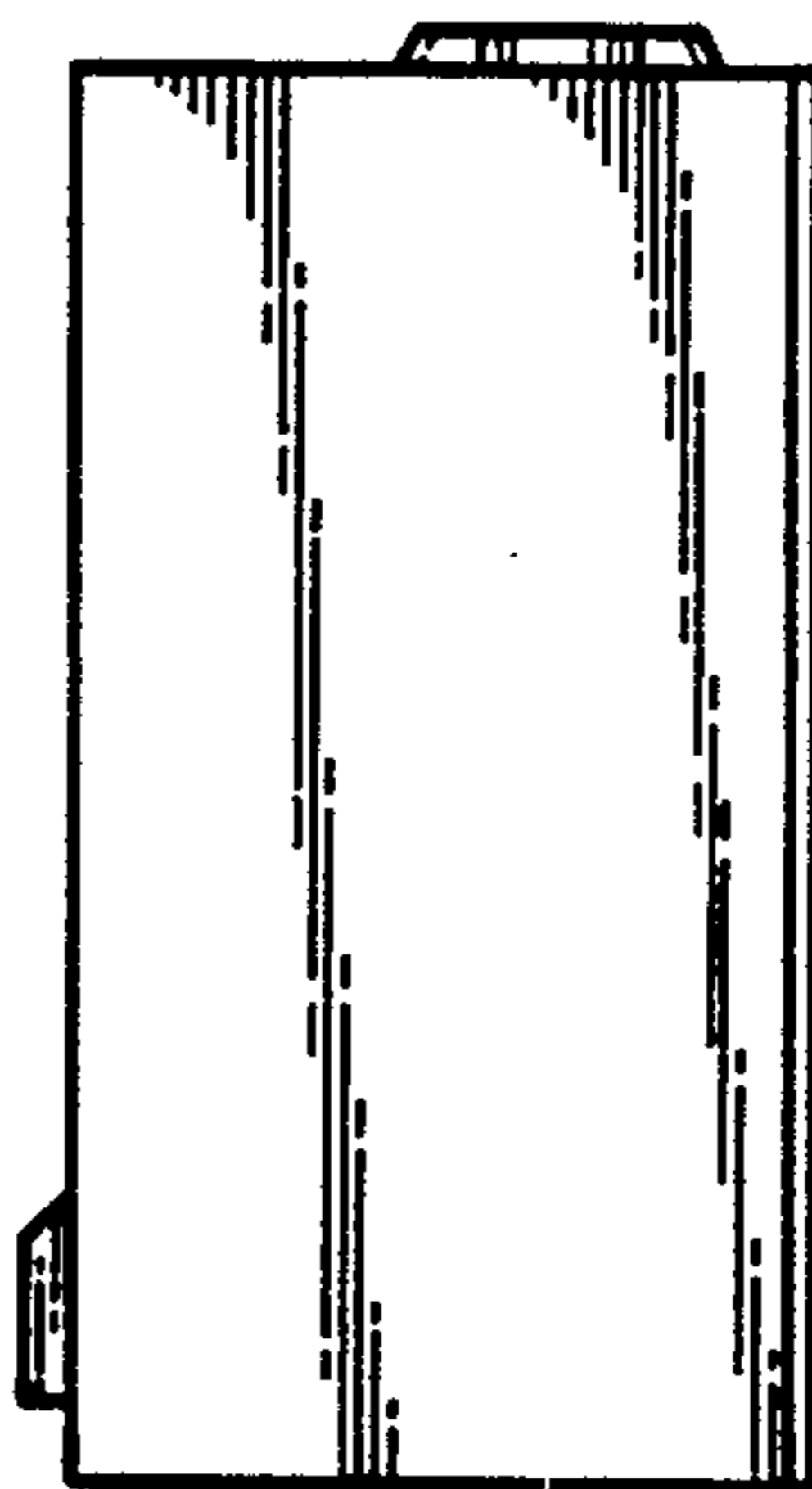


FIG. 3

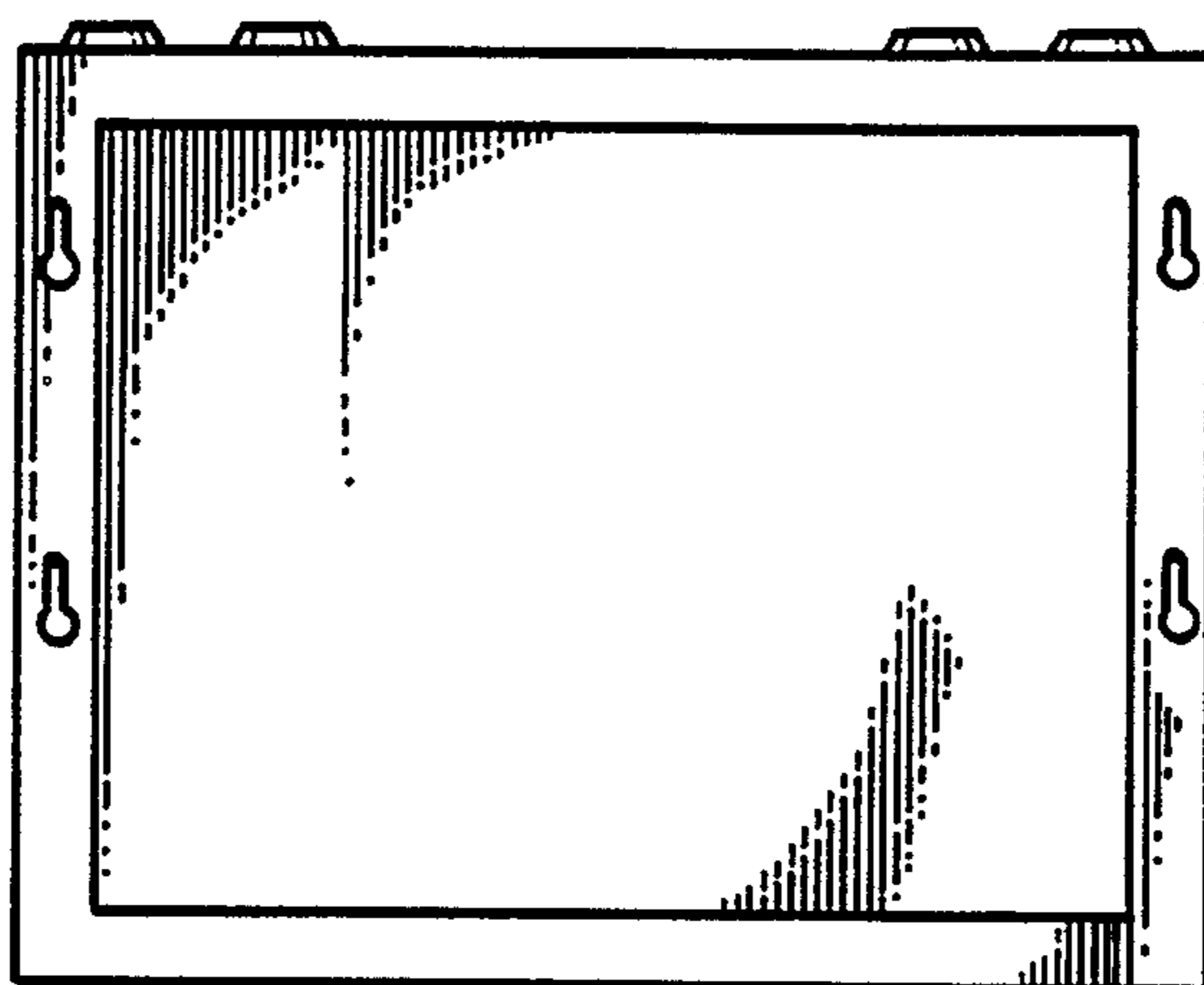


FIG. 4

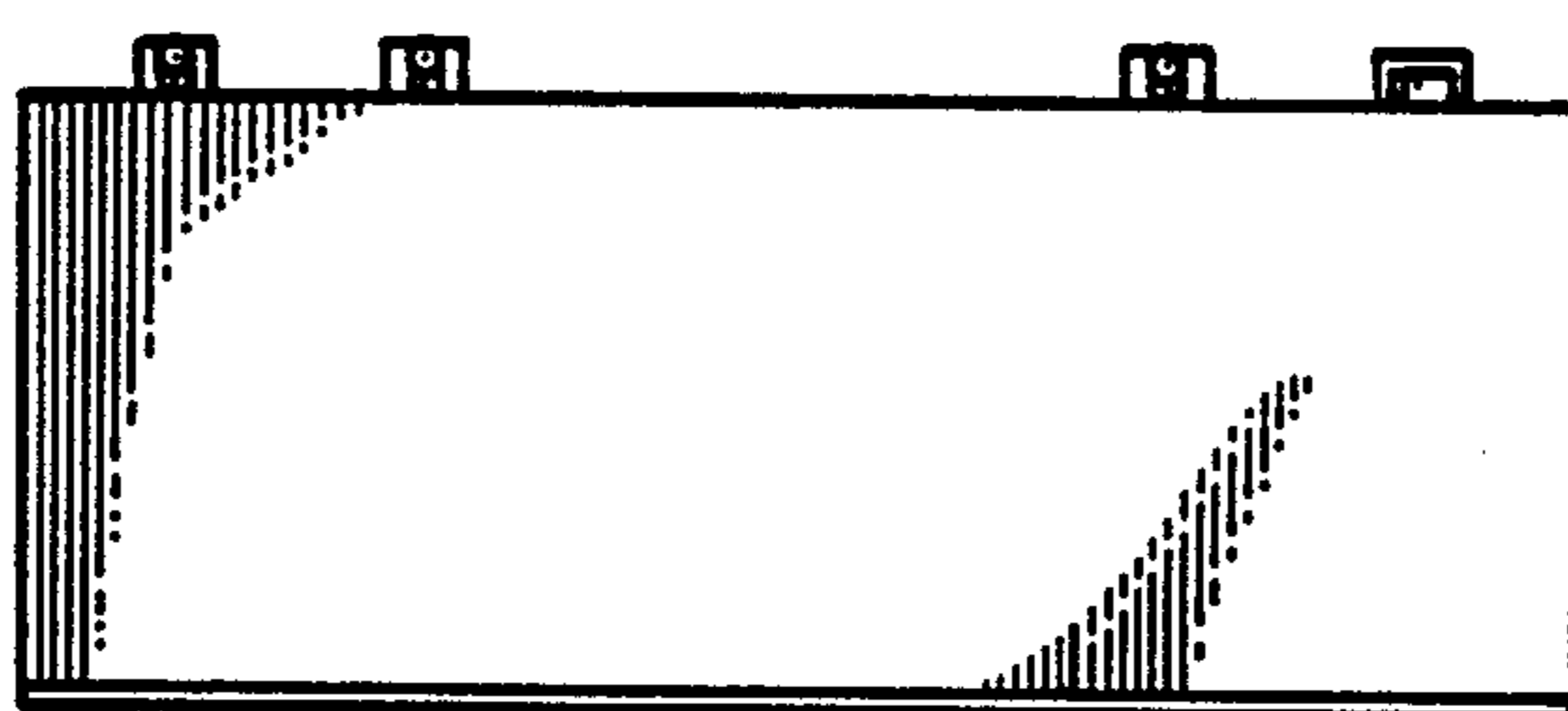


FIG. 5