

[54] POTTED PLANT HANGER

4,235,407 11/1980 Haas 47/67 X
4,603,507 8/1986 Nelson 47/67

[76] Inventor: Louis Possemato, 1909 Margie La.,
Anaheim, Calif. 92802

Primary Examiner—Wallace R. Burke
Assistant Examiner—Brian N. Vinson
Attorney, Agent, or Firm—Lewis Anten

[**] Term: 14 Years

[21] Appl. No.: 107,527

[57] CLAIM

The ornamental design for a potted plant hanger, as shown and described.

[22] Filed: Oct. 9, 1987

[52] U.S. Cl. D6/513

[58] Field of Search D6/512-514;
D8/356, 363, 370, 373; 47/66-67, 41.11;
211/13, 71, 86, 106, 113, 119

DESCRIPTION

FIG. 1 is a perspective view of a potted plant hanger showing my new design, the broken line showing of a portion of an overhead beam and the potted plants being for illustrative purposes only and forming no part of the claimed design;

[56] References Cited

U.S. PATENT DOCUMENTS

- D. 174,489 4/1955 Brown D6/514
- D. 246,827 1/1978 Crawford D8/370
- D. 284,716 7/1986 Honerman D6/514 X
- D. 300,792 4/1989 Hutchins D6/514
- 3,285,482 11/1966 Bedsaul, Sr. D8/370 X
- 4,039,263 8/1977 Bässler D8/373 X

FIG. 2 is a front elevational view thereof;

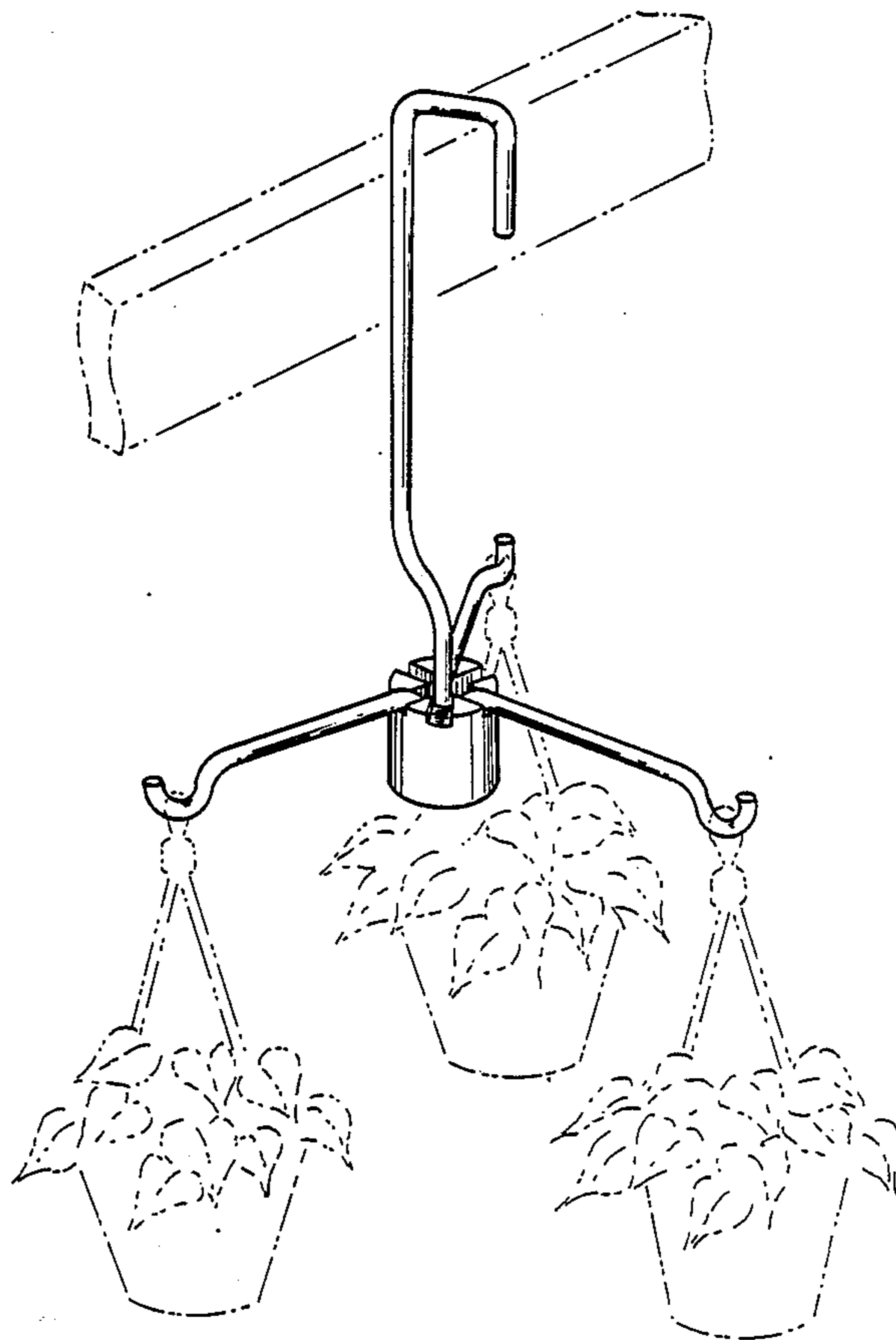
FIG. 3 is a left side elevational view thereof;

FIG. 4 is a rear elevational view thereof;

FIG. 5 is a right side elevational view thereof;

FIG. 6 is a top plan view thereof; and

FIG. 7 is a bottom plan view thereof.



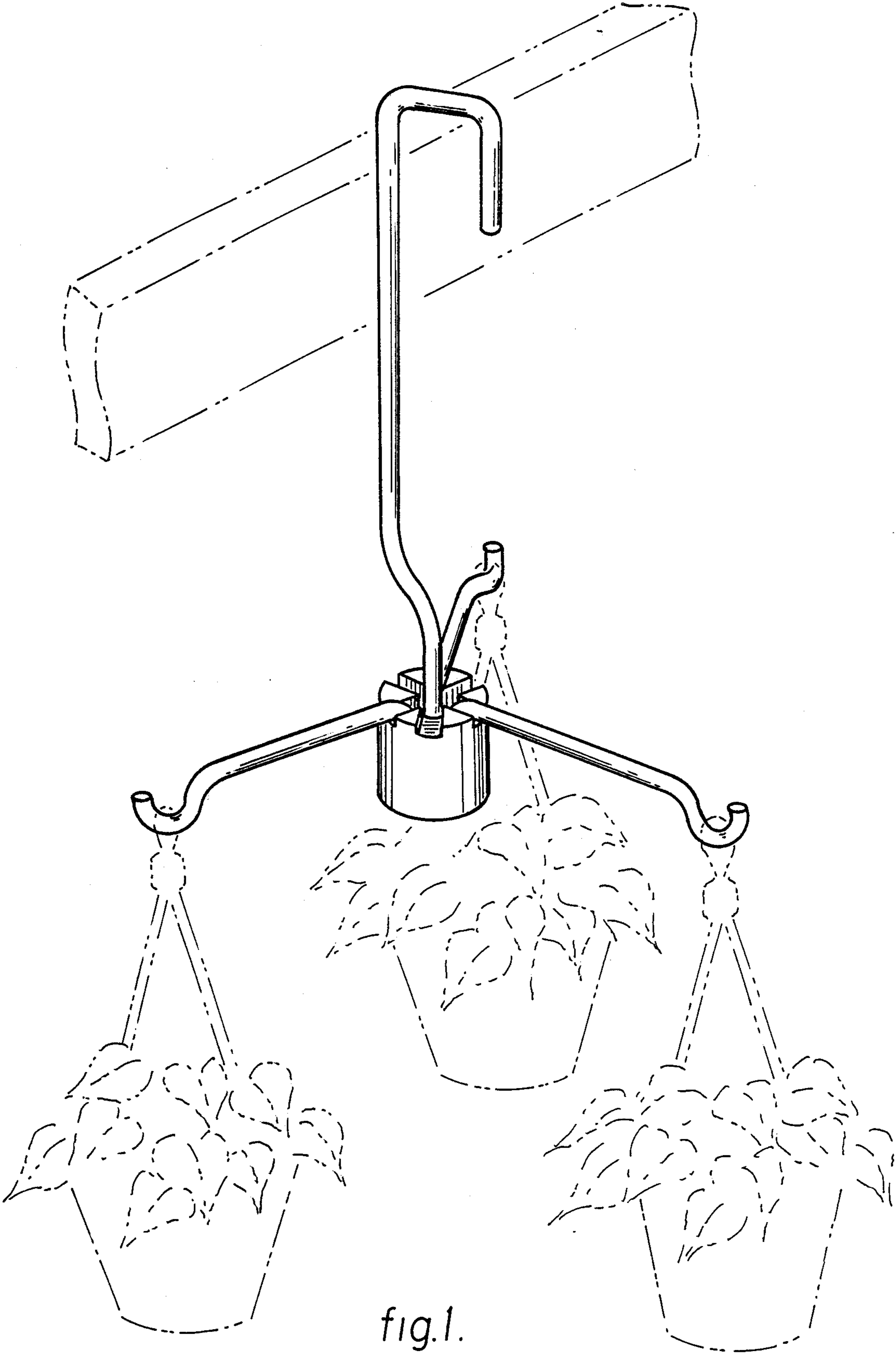


fig.1.

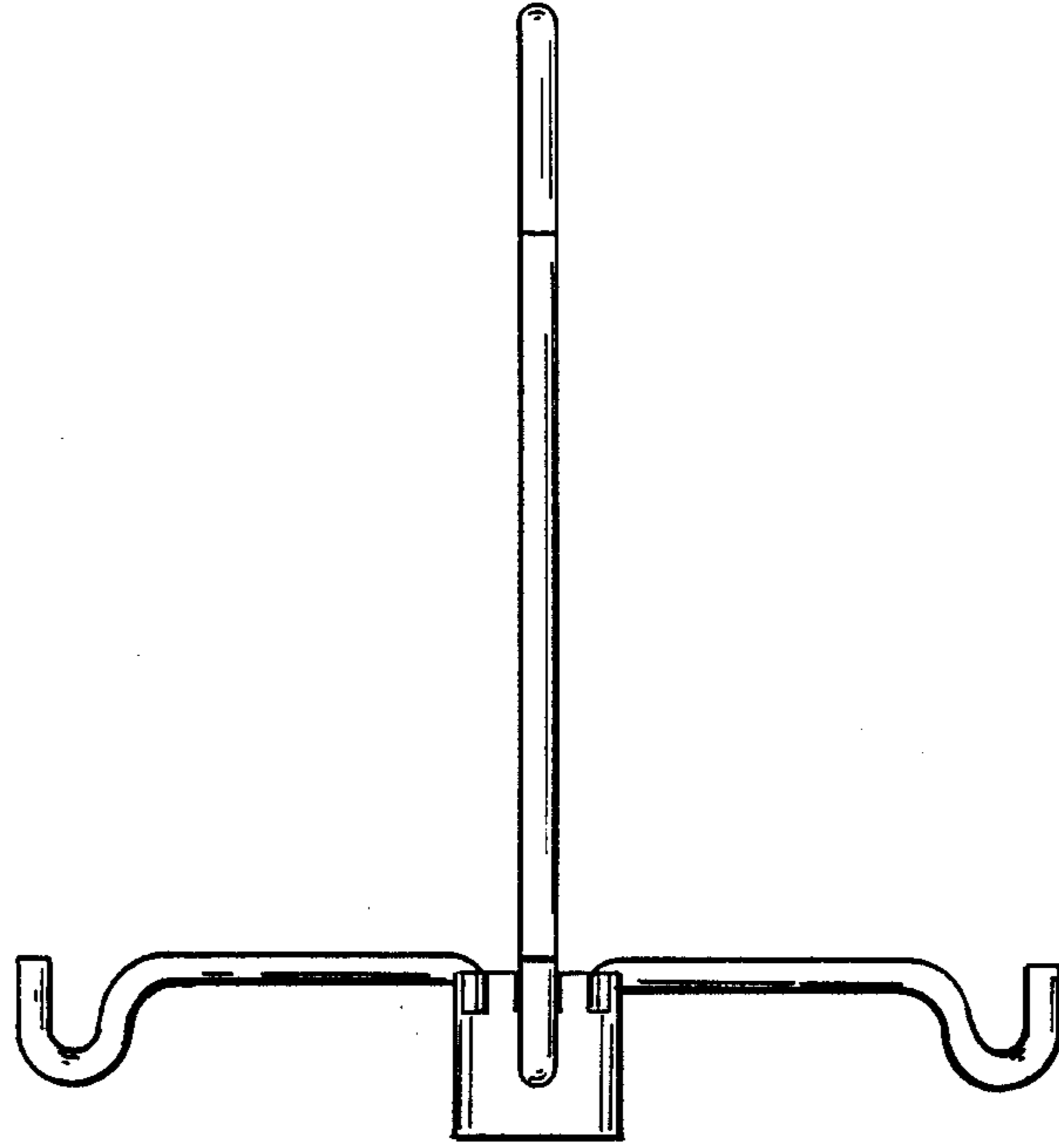


fig. 2.

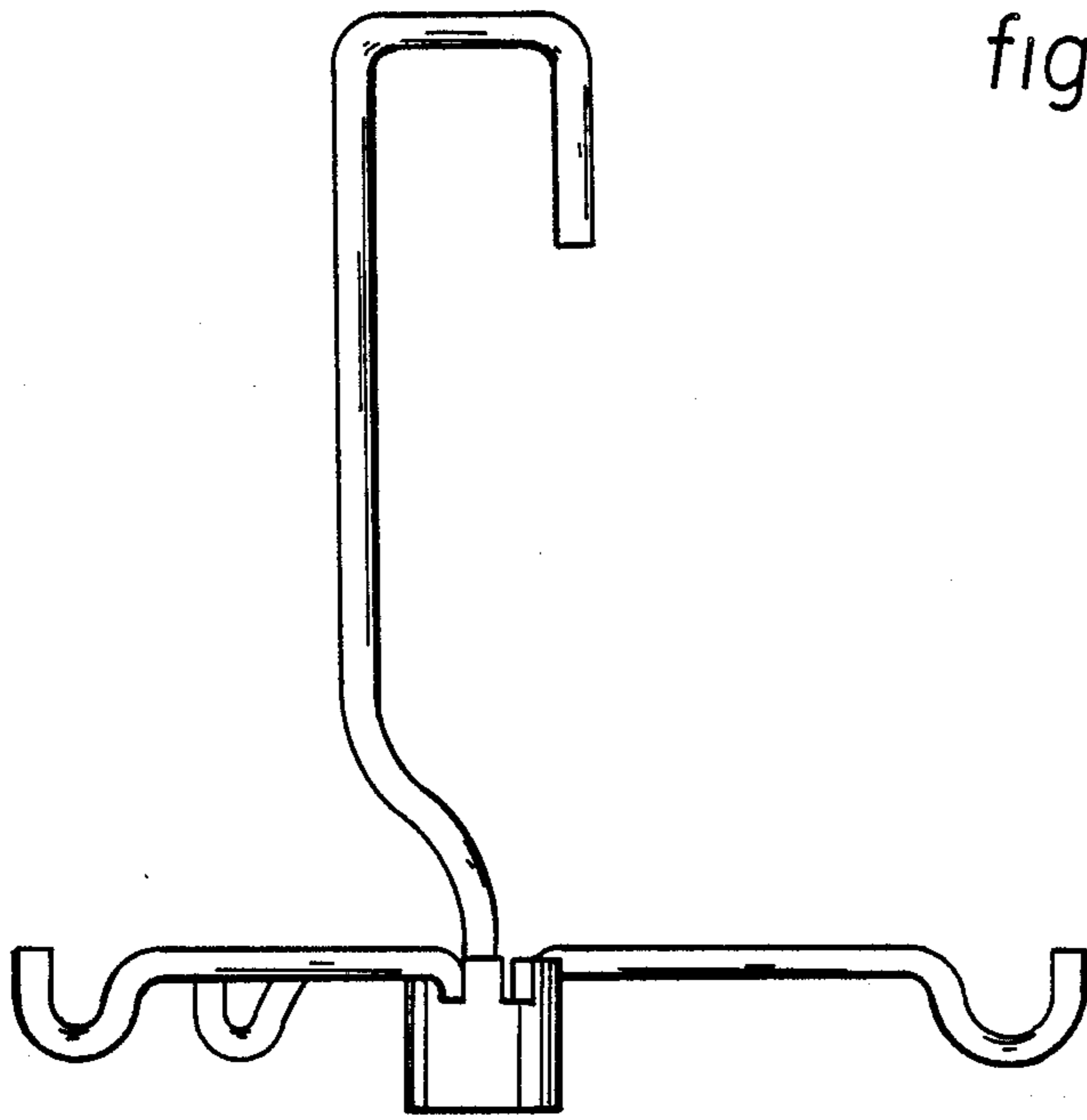


fig. 4.

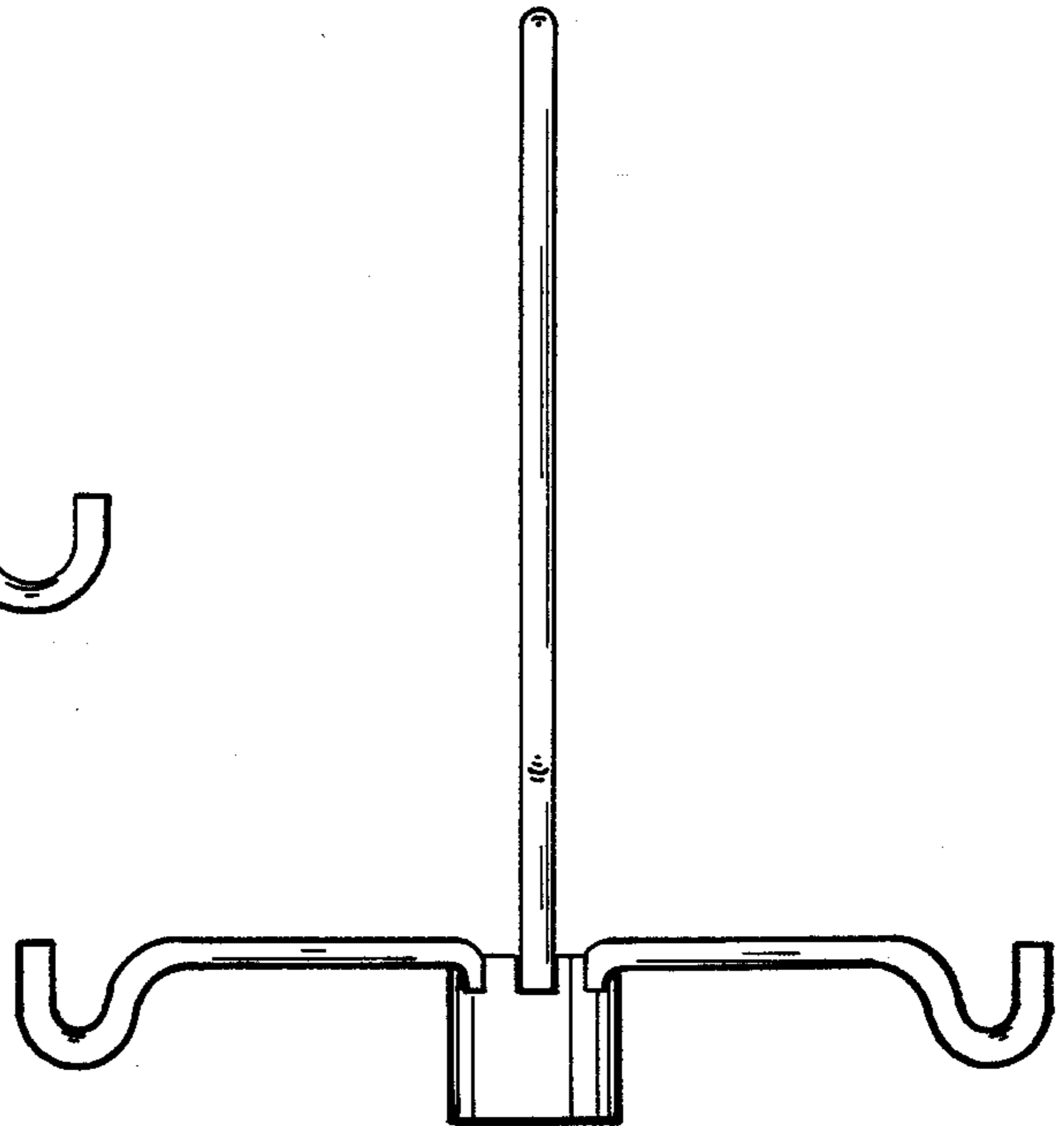


fig. 3.

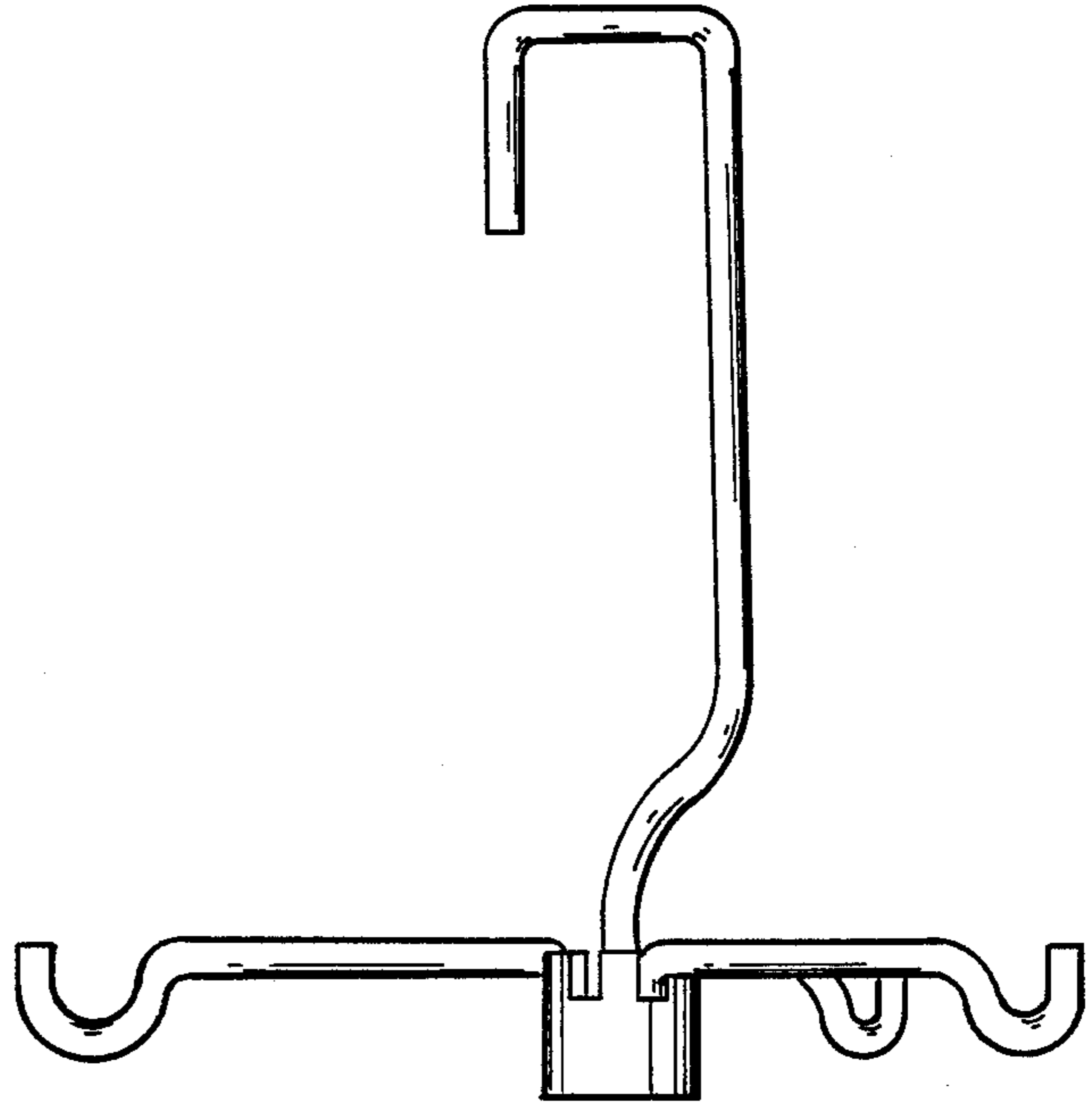


fig.5.

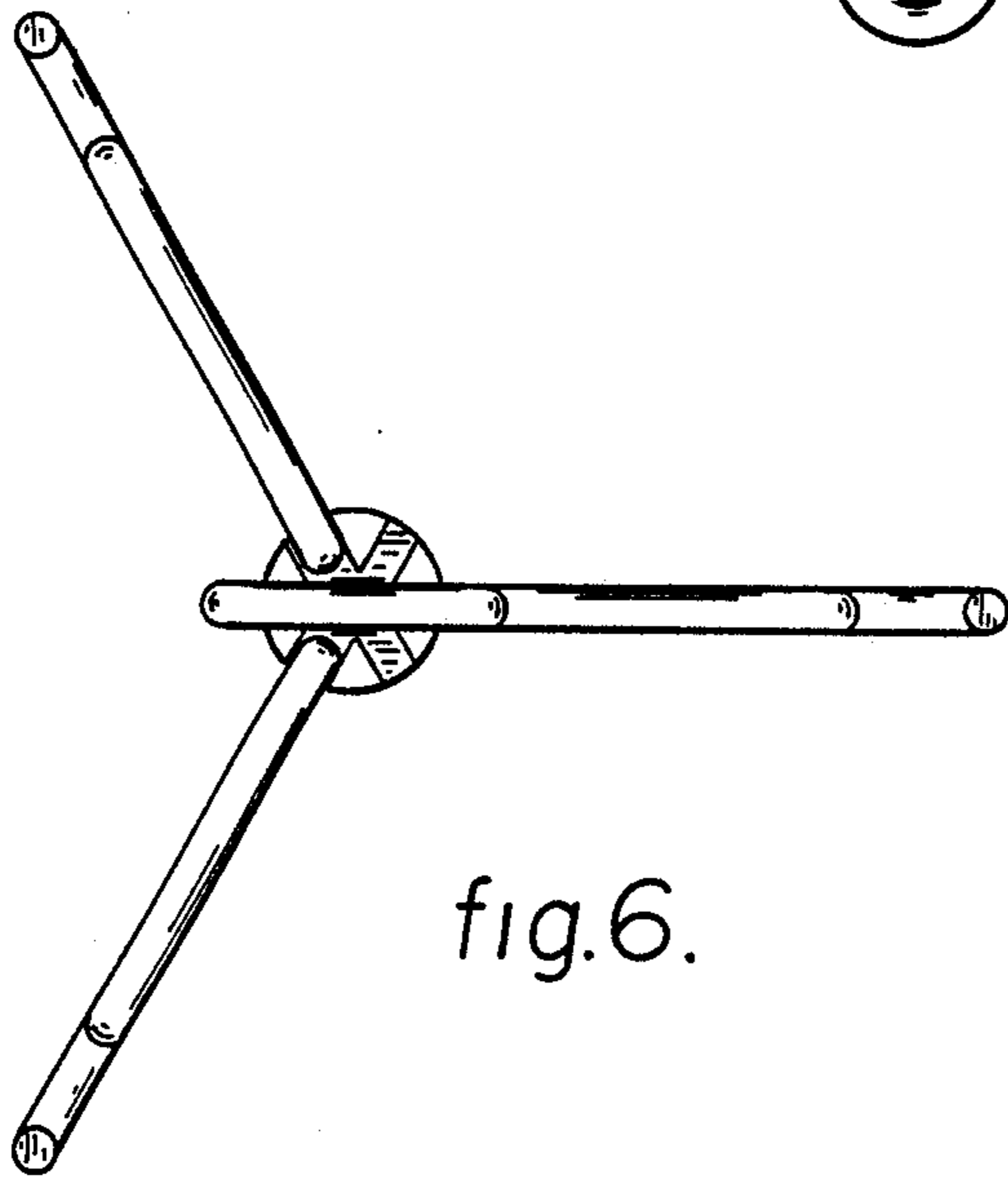


fig.6.

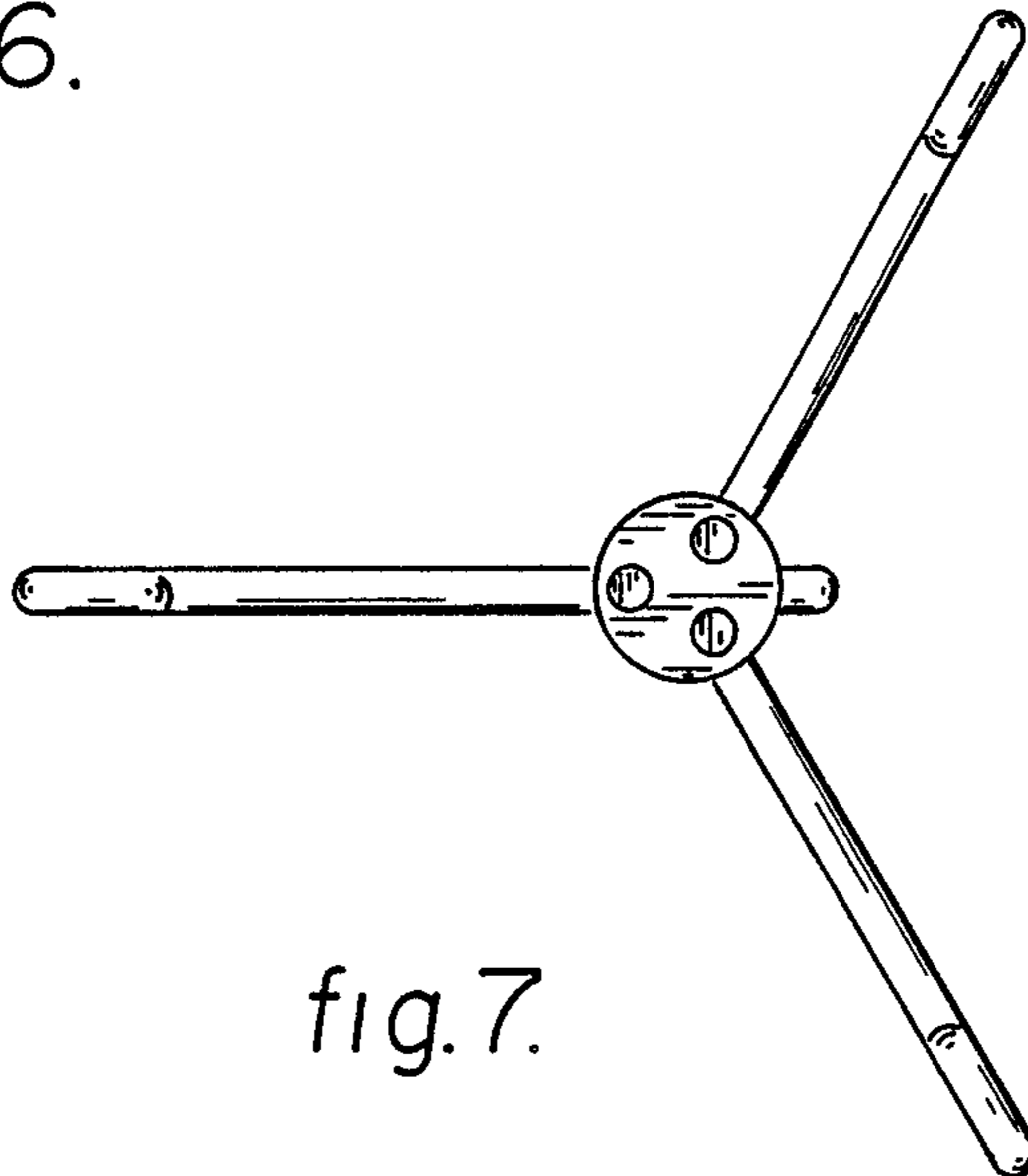


fig.7.