

[54] MERCHANDISE DISPLAY SHELF INSERT

[75] Inventor: Ulrich Wombacher, Duesseldorf, Fed. Rep. of Germany

[73] Assignee: Henkel Kommanditgesellschaft auf Aktien, Duesseldorf, Fed. Rep. of Germany

[**] Term: 14 Years

[21] Appl. No.: 926,471

[22] Filed: Oct. 31, 1986

[30] Foreign Application Priority Data

May 2, 1986 [DE] Fed. Rep. of Germany 5504
[52] U.S. Cl. D6/512
[58] Field of Search D20/44, 42; 40/5; D6/574, 512, 514

[56] References Cited

U.S. PATENT DOCUMENTS

D. 239,348 3/1976 Vrignaud D6/574
2,876,780 3/1959 Vogel D6/512

FOREIGN PATENT DOCUMENTS

0069003 6/1982 European Pat. Off. .
1788991 5/1959 Fed. Rep. of Germany .
1819158 8/1960 Fed. Rep. of Germany .
G8426651.1 2/1985 Fed. Rep. of Germany .

OTHER PUBLICATIONS

Opto-Sell das entgegenkommende Regal-Optimierungssystem.

Primary Examiner—James M. Gandy
Assistant Examiner—Marcus Jackson
Attorney, Agent, or Firm—Ernest G. Szoke; Wayne C. Jaeschke

[57] CLAIM

The ornamental design for a merchandise display shelf insert, as shown and described.

DESCRIPTION

FIG. 1 is a perspective view of a merchandise display shelf insert, showing my new design;
FIG. 2 is a left side elevational view thereof;
FIG. 3 is a right side elevational view thereof;
FIG. 4 is a front elevational view thereof;
FIG. 5 is a rear elevational view thereof;
FIG. 6 is a top plan view thereof;
FIG. 7 is a bottom plan view thereof.

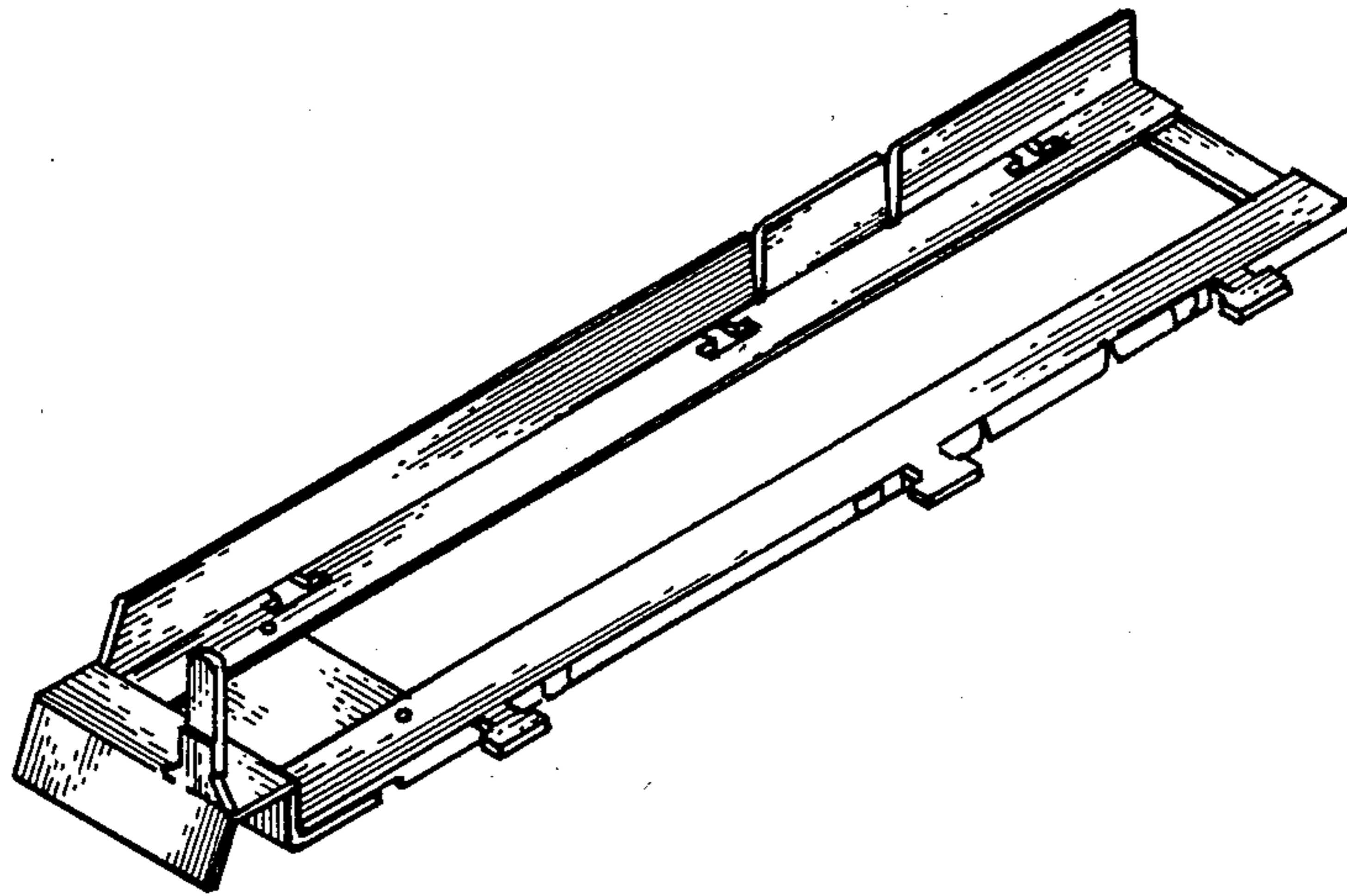


FIG. 1

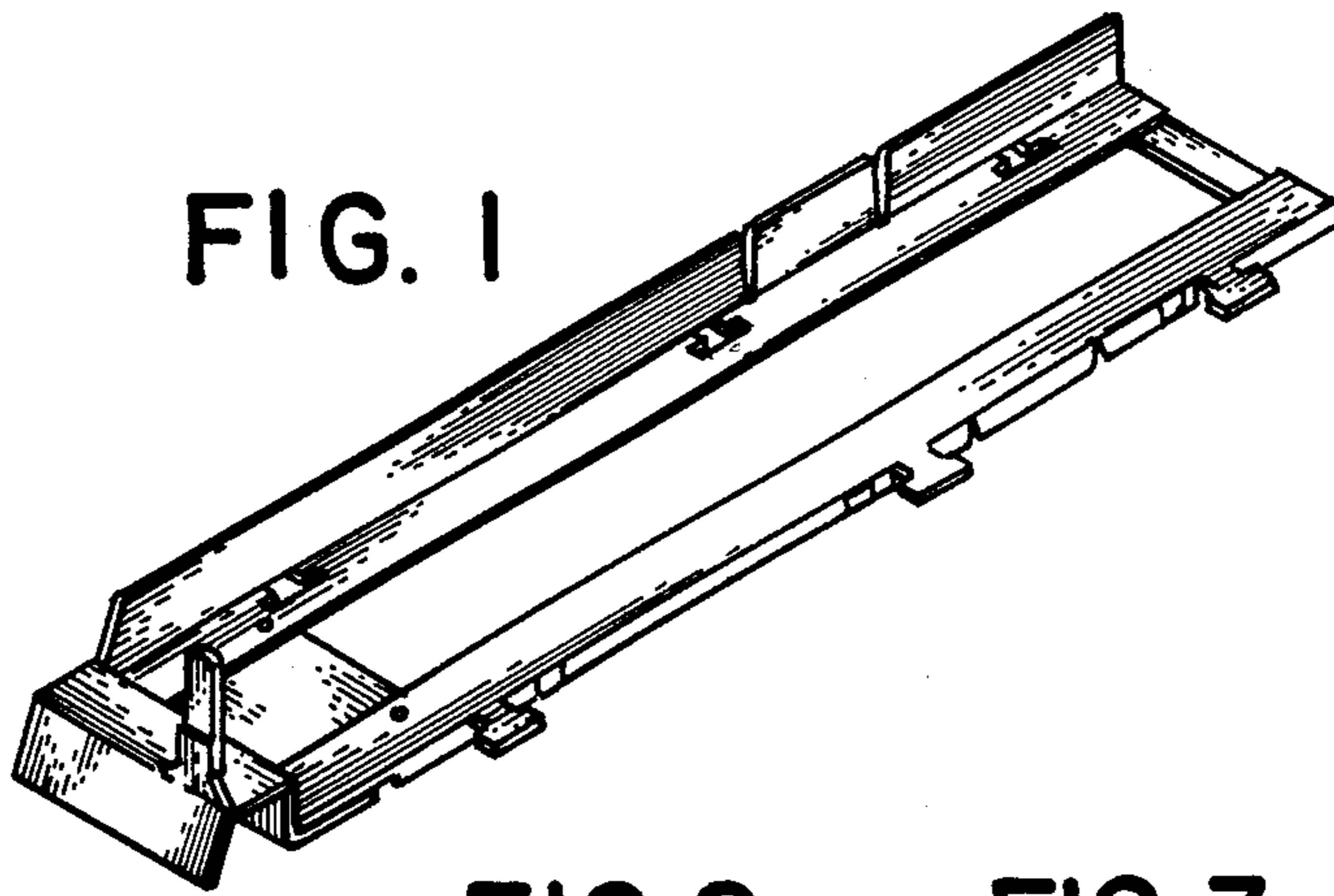


FIG. 2

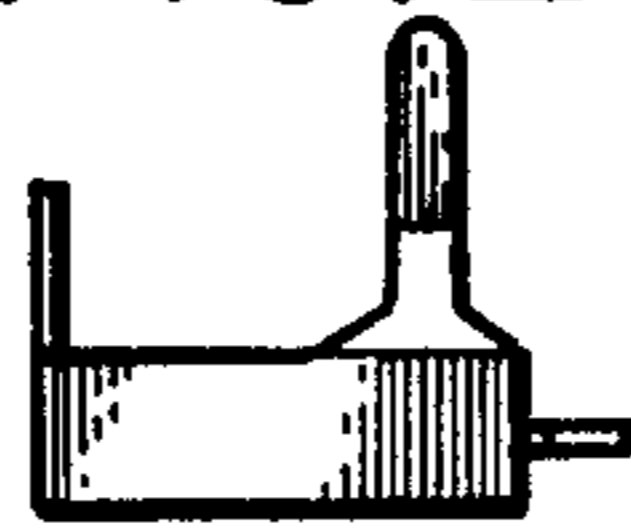


FIG. 3

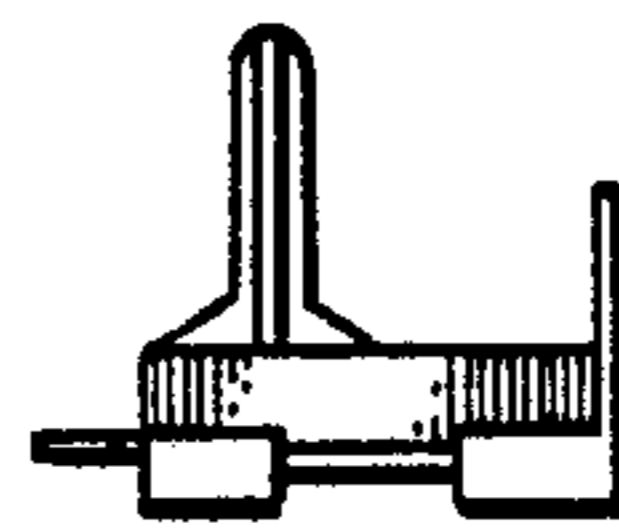


FIG. 4



FIG. 5

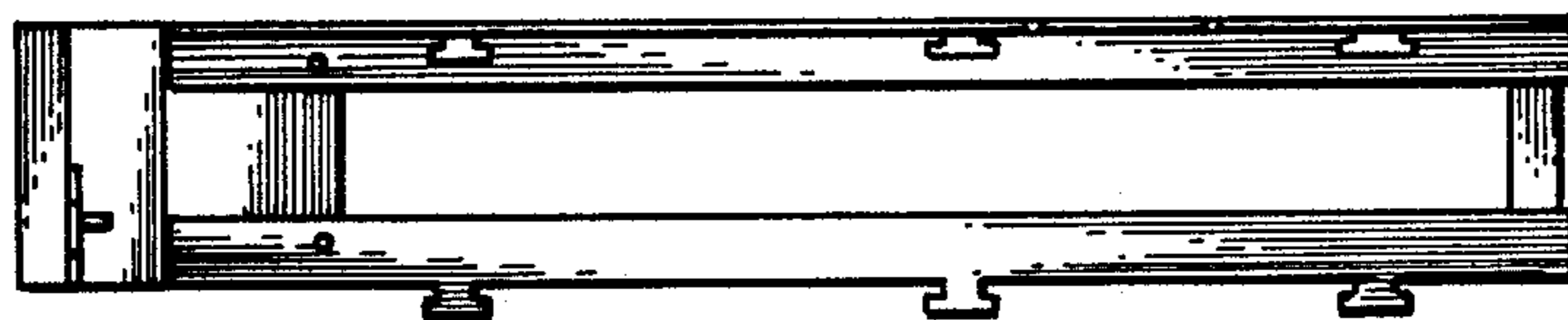
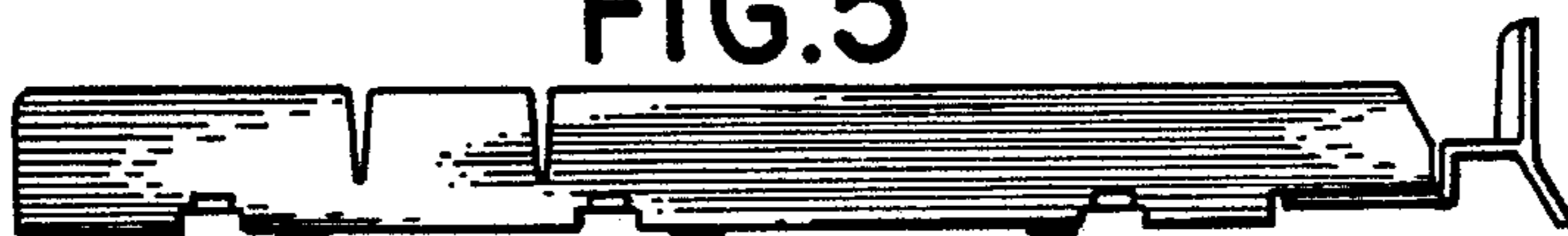


FIG. 6

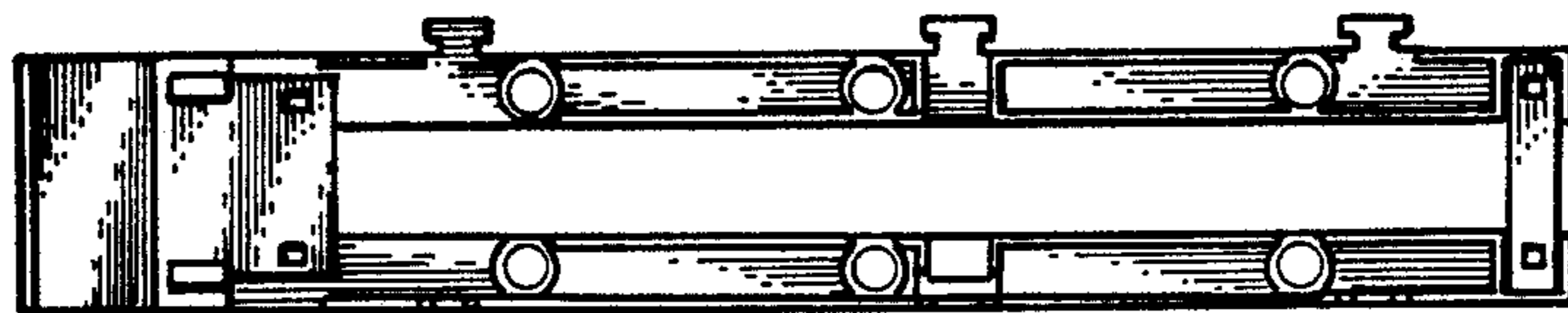


FIG. 7