

[54] **DESK**  
[75] **Inventor: David Wright, Droitwich, England**  
[73] **Assignee: Remisystem (UK) Ltd.,  
Worcestershire, England**  
[\*\*] **Term: 14 Years**  
[21] **Appl. No.: 14,493**  
[22] **Filed: Feb. 13, 1987**

[30] **Foreign Application Priority Data**  
Aug. 14, 1986 [ZA] South Africa ..... 86/0678  
[52] **U.S. Cl. .... D6/426; D6/474**  
[58] **Field of Search ..... D6/421, 422, 423, 424,  
D6/425, 426, 427, 474; 312/194, 195, 196;  
108/59, 60**

[56] **References Cited**  
**U.S. PATENT DOCUMENTS**  
D. 202,197 9/1965 Beckman ..... D6/425  
D. 218,325 8/1970 Sherman ..... D6/431  
D. 220,703 5/1971 Deguchi et al. .... D6/426  
D. 278,583 4/1985 Koguma ..... D6/474 X

D. 279,740 7/1985 Slager ..... D6/427 X  
D. 281,297 11/1985 Esslinger ..... D6/423 X  
D. 295,474 5/1988 Uredat-Neuhoff ..... D6/422 X

**OTHER PUBLICATIONS**

*Interiors*, Dec. 1972, p. 22; "Linder" Desk, center left on page.

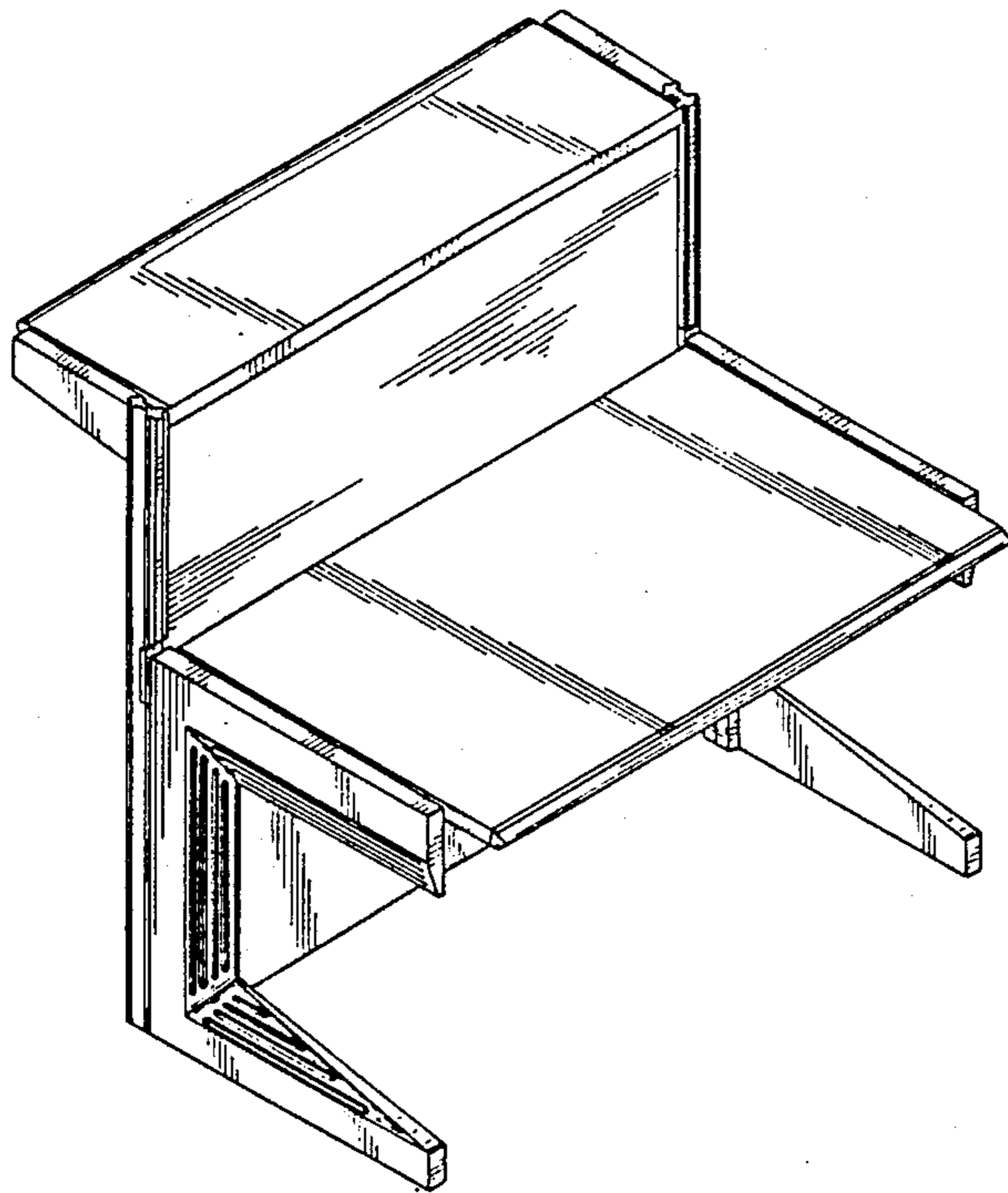
*Primary Examiner*—Carmen H. Vales-Lado  
*Attorney, Agent, or Firm*—Seidel, Gonda, Lavorgna & Monaco

**CLAIM**

The ornamental design for a desk, as shown and described.

**DESCRIPTION**

FIG. 1 is a perspective view of a desk showing my new design;  
FIG. 2 is a rear elevational view thereof;  
FIG. 3 is a top plan view thereof;  
FIG. 4 is a front elevational view thereof;  
FIG. 5 is a right side elevational view, the left side elevational view being a mirror image thereof; and  
FIG. 6 is a bottom plan view thereof.



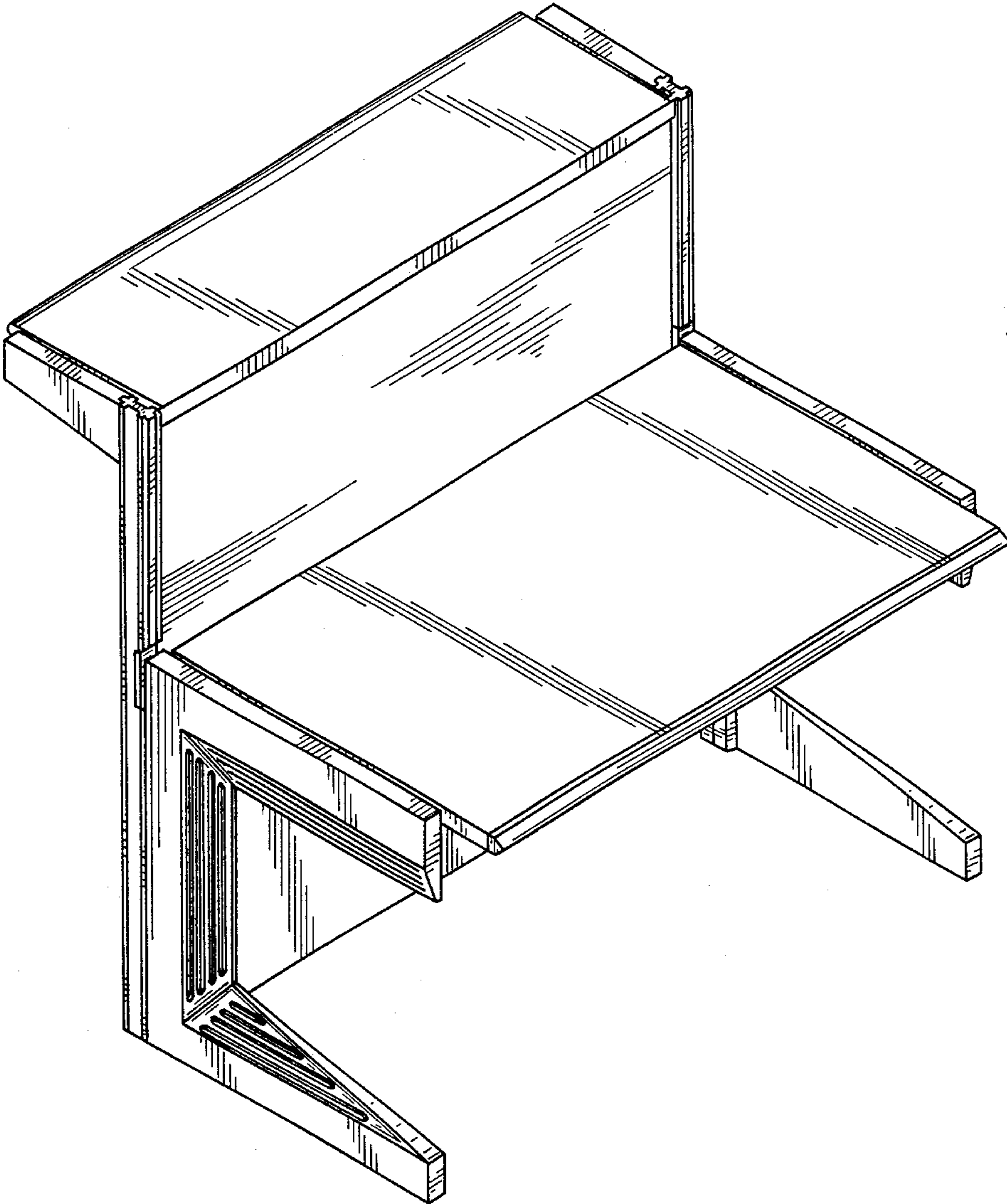


FIG. 1

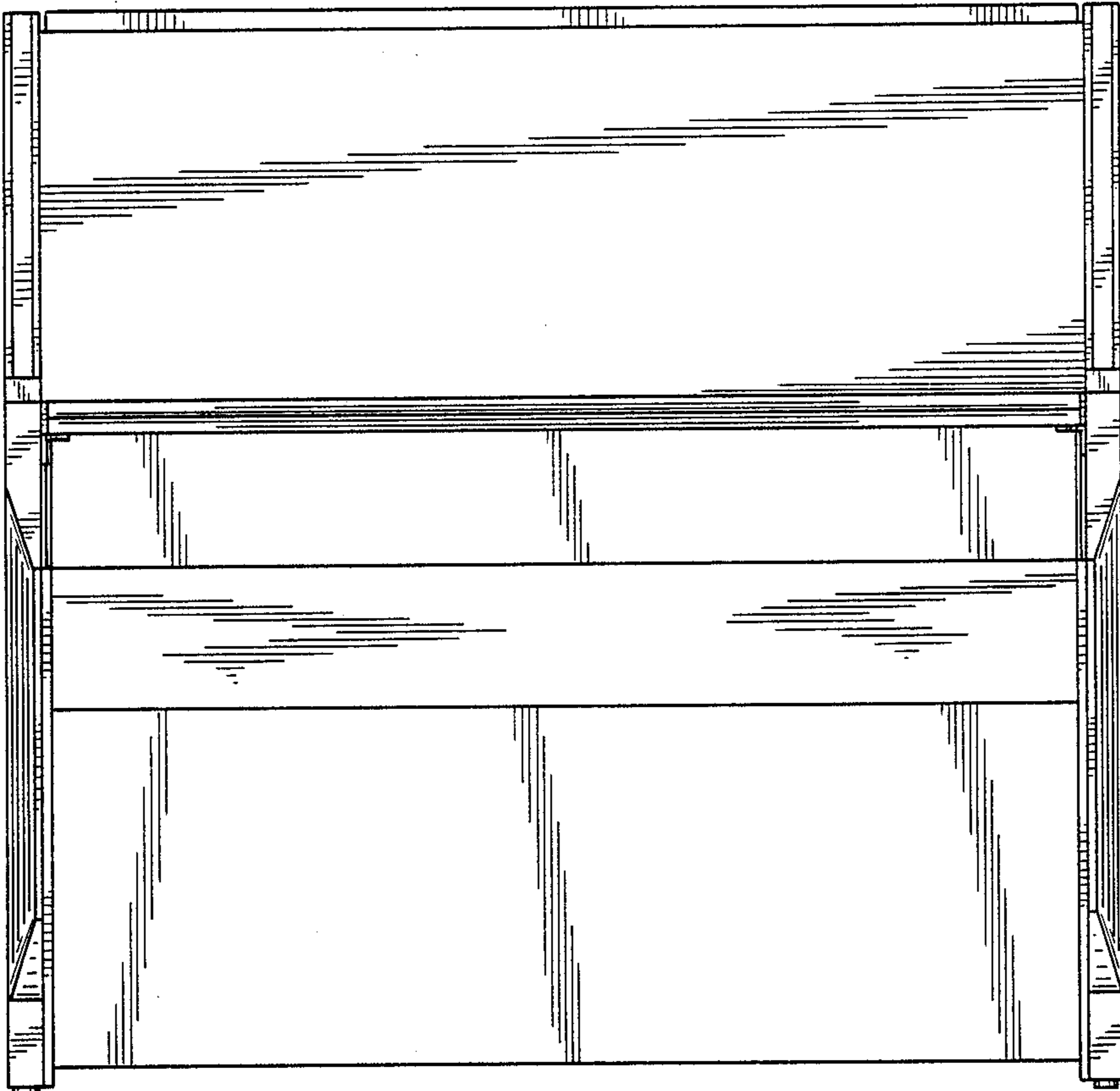


FIG. 2

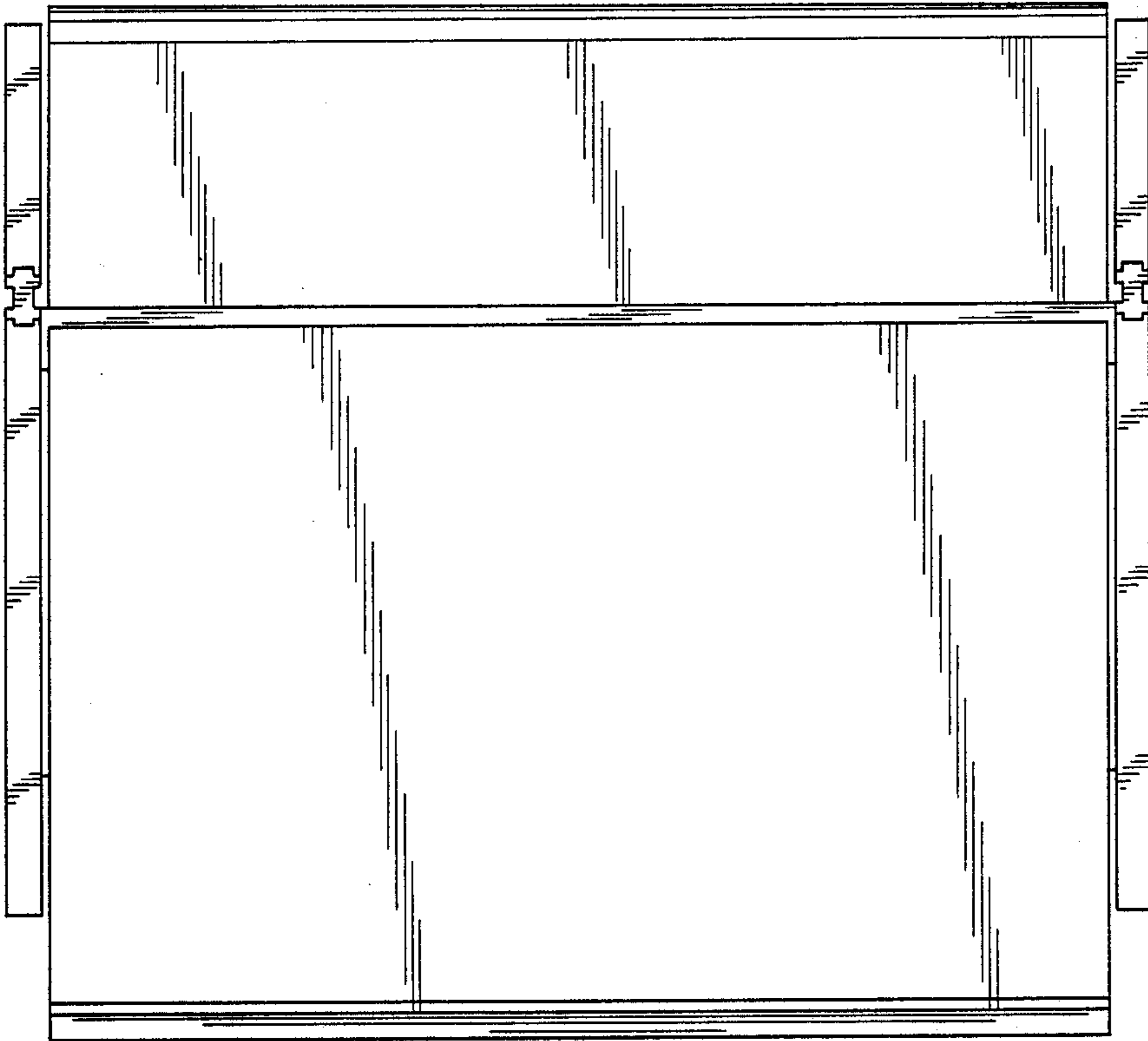


FIG.3

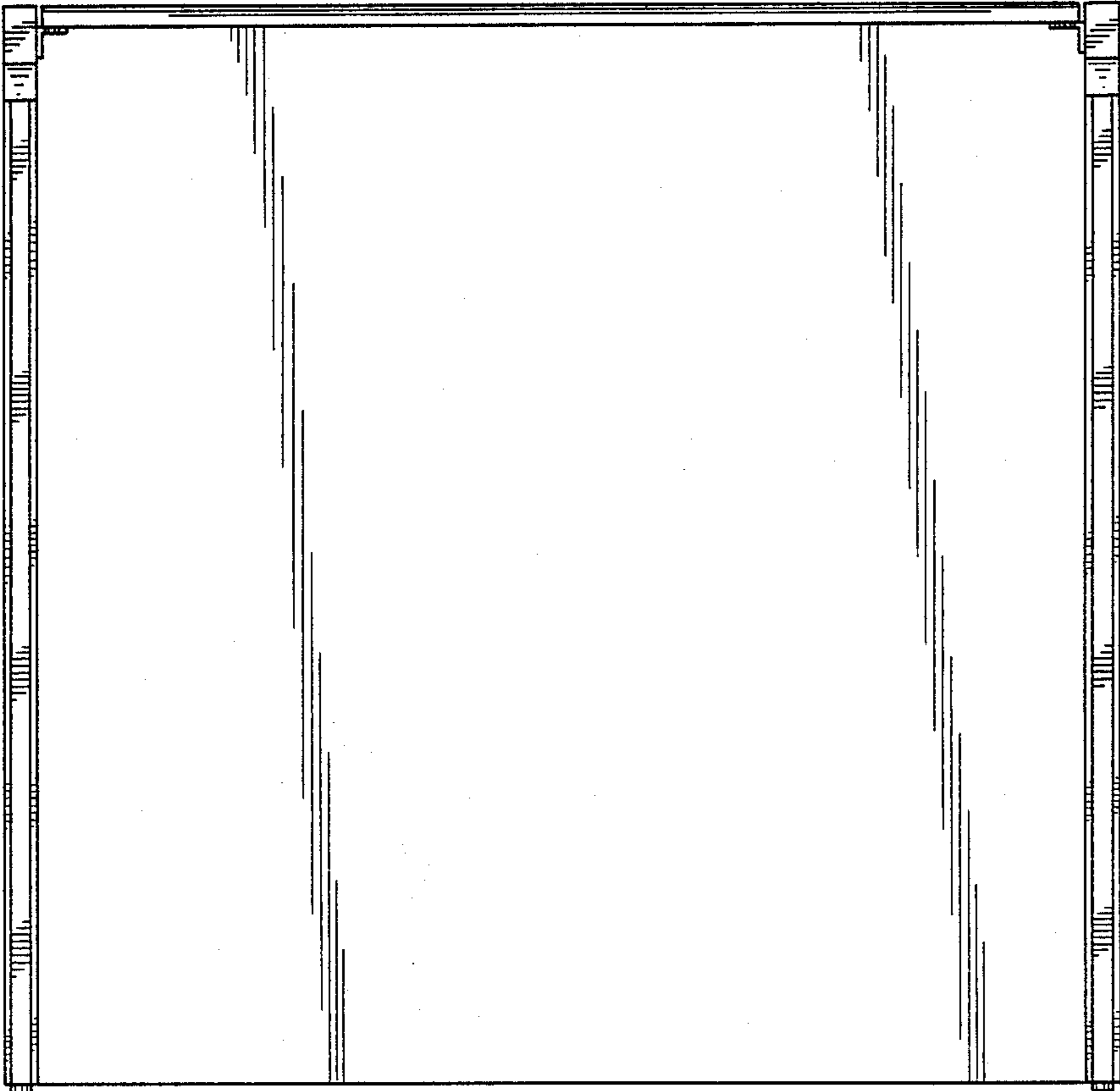


FIG.4

FIG. 5

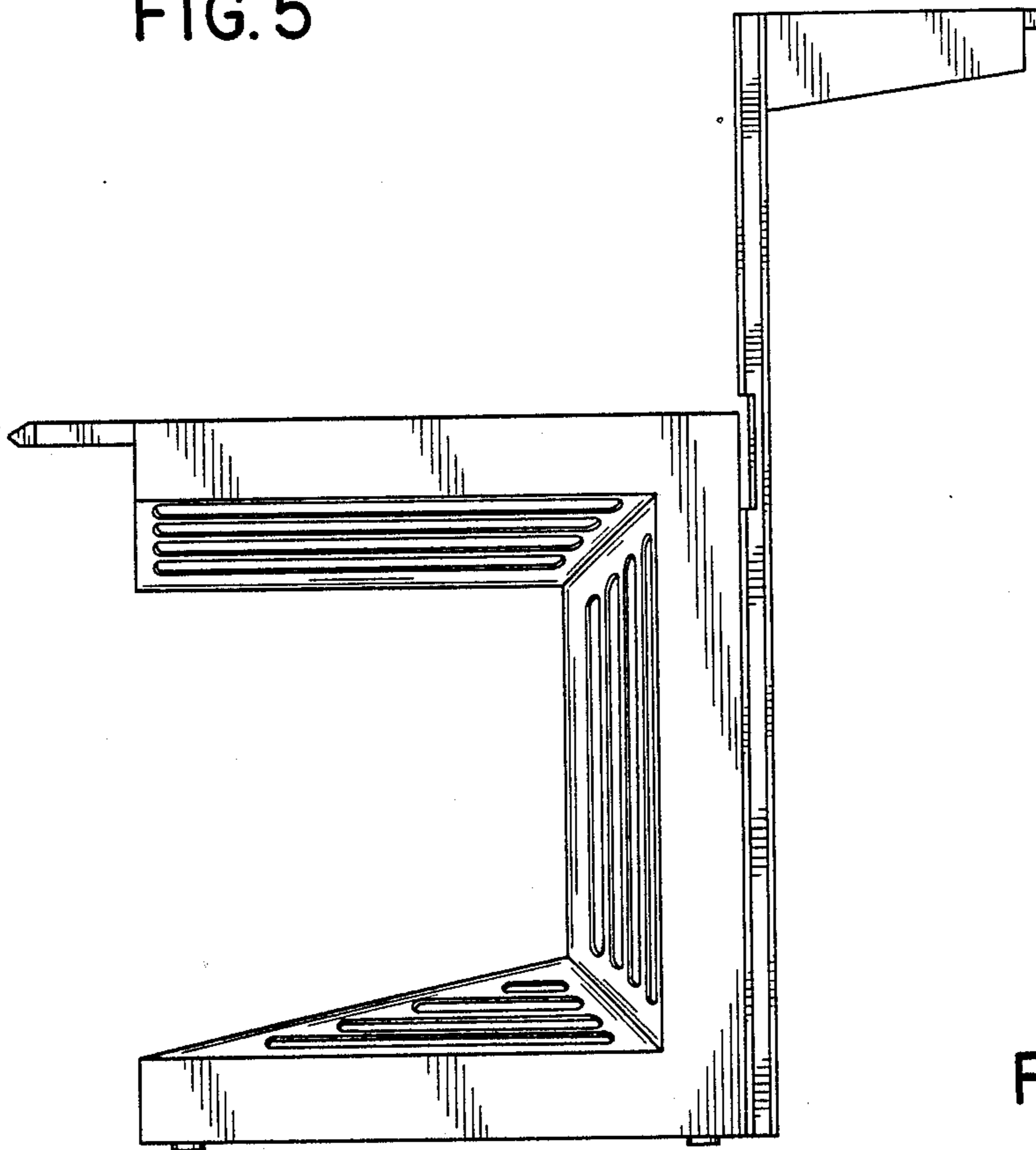


FIG. 6

