

[54] CHILD SWING FRAME

4,325,578 4/1982 Borucki 297/281

[75] Inventors: Raymond Spilman, Darien; Jacob Krapowicz, Ridgefield, both of Conn.; Alvin Fowler, Columbus, Ind.

FOREIGN PATENT DOCUMENTS

22833 11/1948 Finland 297/282

[73] Assignee: Cosco, Inc., Columbus, Ind.

OTHER PUBLICATIONS

[**] Term: 14 Years

Bollinger and Cramer, "Baby Gear Guide", copyright 1985, p. 76.

[21] Appl. No.: 934,937

Primary Examiner—Carmen H. Vales-Lado
Assistant Examiner—Schon C. Oppert
Attorney, Agent, or Firm—Barnes & Thornburg

[22] Filed: Nov. 25, 1986

[52] U.S. Cl. D6/344; D6/334;
D21/246; 5/105; 272/85; 297/273

[57] CLAIM

[58] Field of Search D6/333, 334, 335, 344,
D6/345, 347; D21/240, 243, 244, 246, 247;
5/101, 105, 127, 128; 272/85, 86; 297/273, 277,
281, 282

The ornamental design for a child swing frame, as shown and described.

DESCRIPTION

[56] References Cited

U.S. PATENT DOCUMENTS

- D. 136,786 12/1943 Shumaker D6/347
- D. 264,148 5/1982 Gebhard D6/4
- 281,216 7/1883 White D21/246 X
- 463,863 11/1891 Johnson 297/282 X
- 695,465 3/1902 Lyman D21/246 X
- 4,323,233 4/1982 Gebhard 272/86

FIG. 1 is a perspective view of the child swing frame showing our new design, the broken lines showing a swing seat is for illustrative purposes only and forms no part of the claimed design;

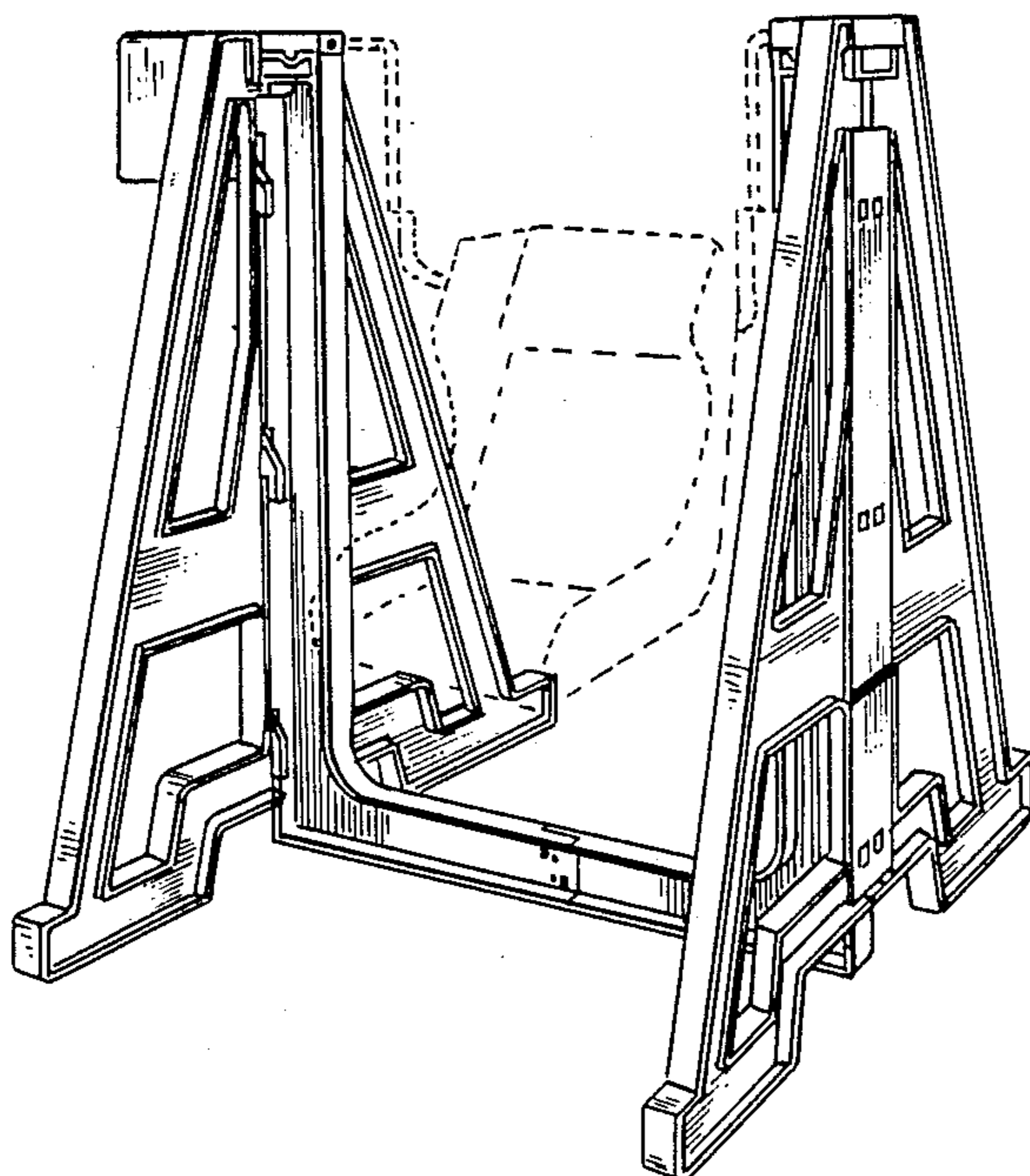
FIG. 2 is a front elevational view thereof;

FIG. 3 is a right side elevational view thereof;

FIG. 4 is a left side elevational view thereof;

FIG. 5 is a rear elevational view thereof; and

FIG. 6 is a top plan view thereof.



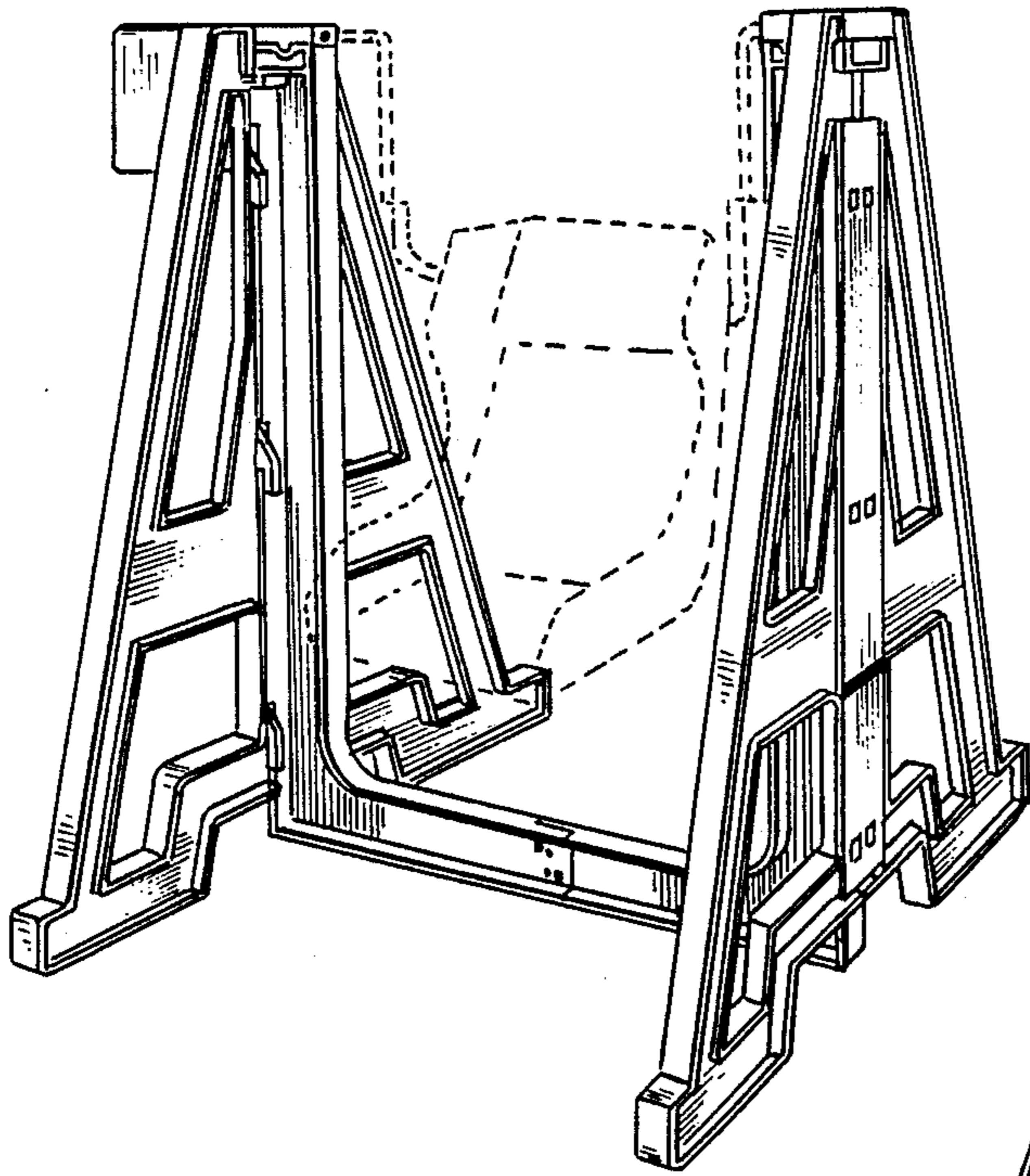


FIG. 1

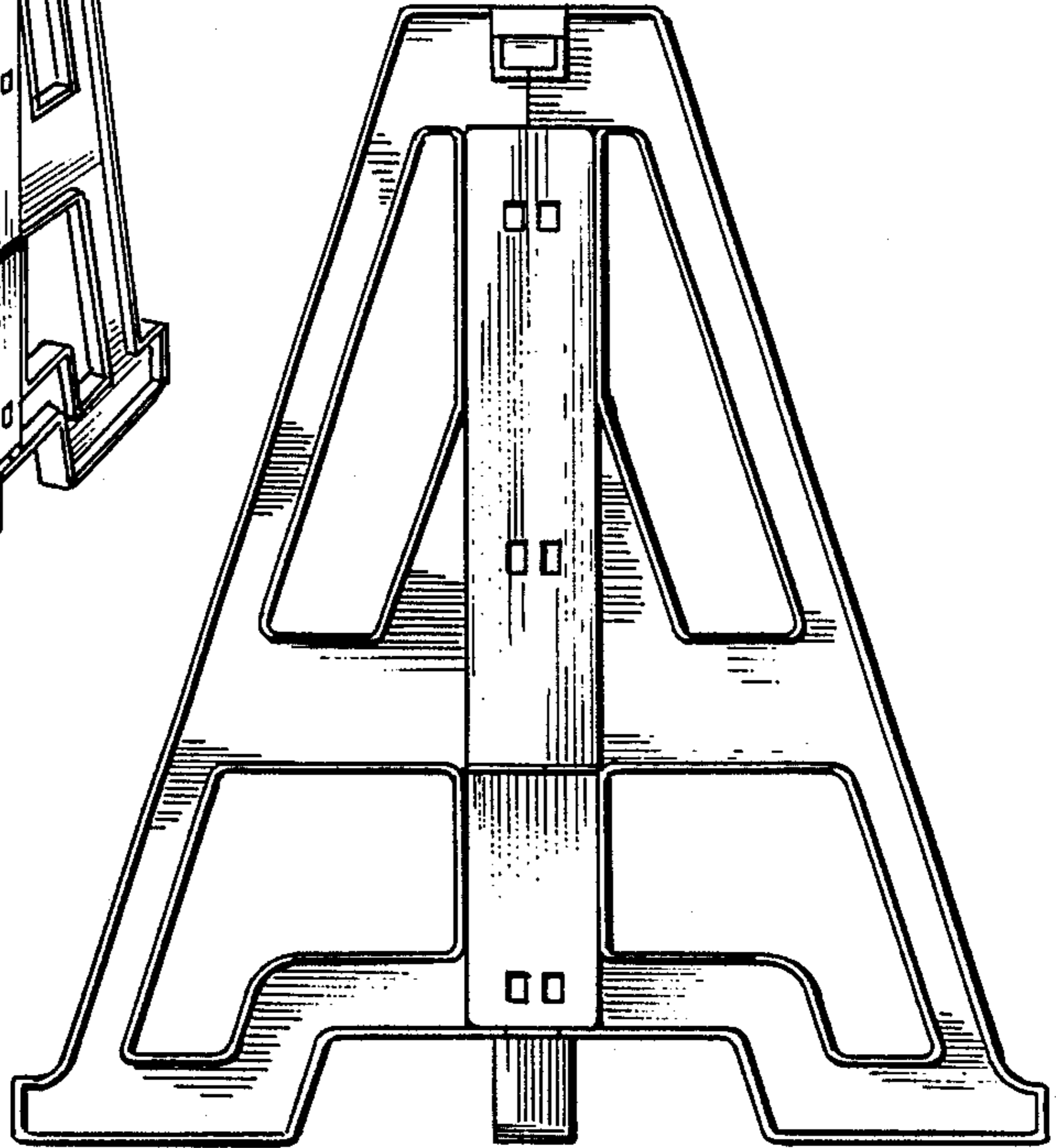


FIG. 3

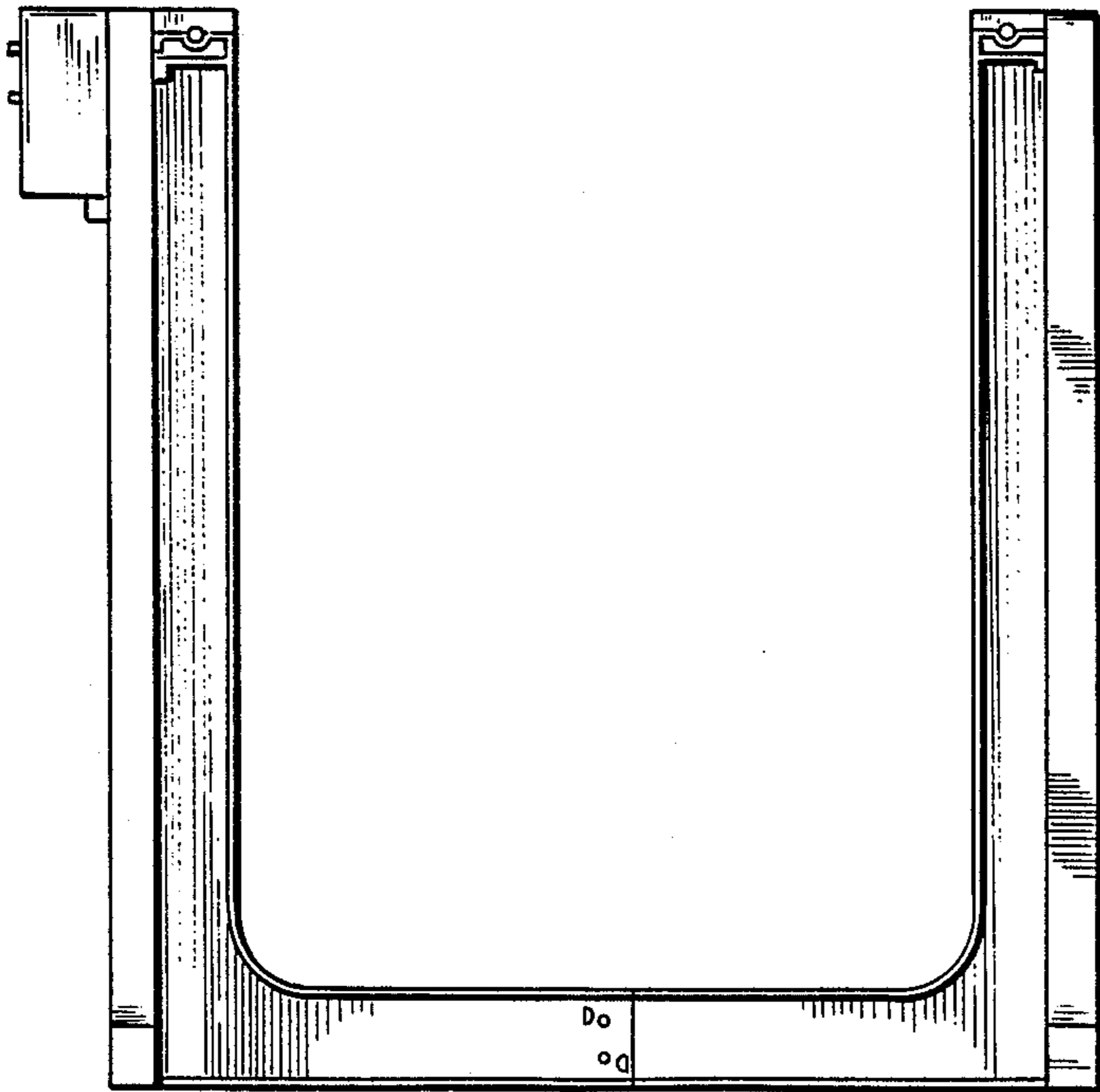


FIG. 2

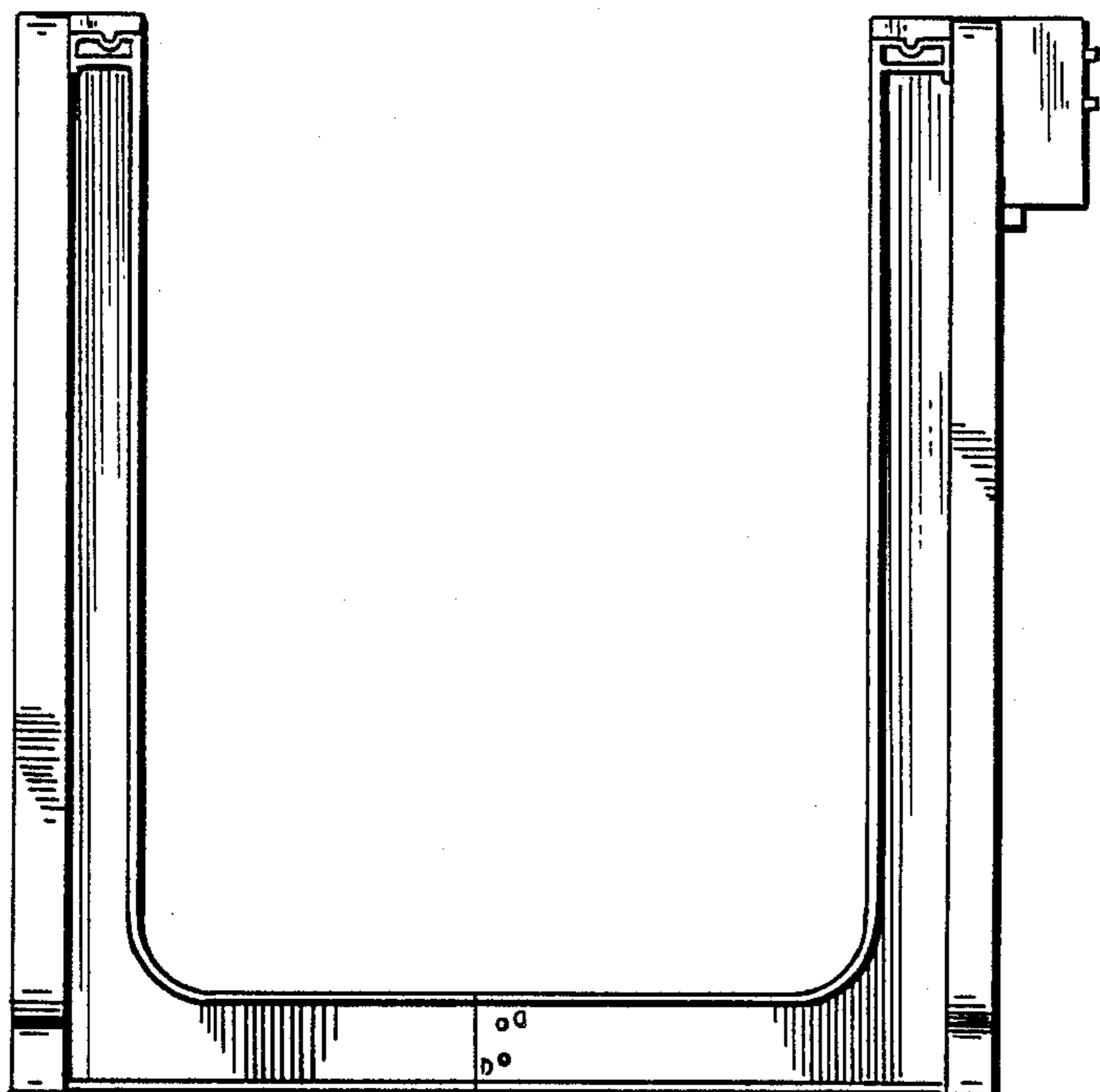


FIG. 5

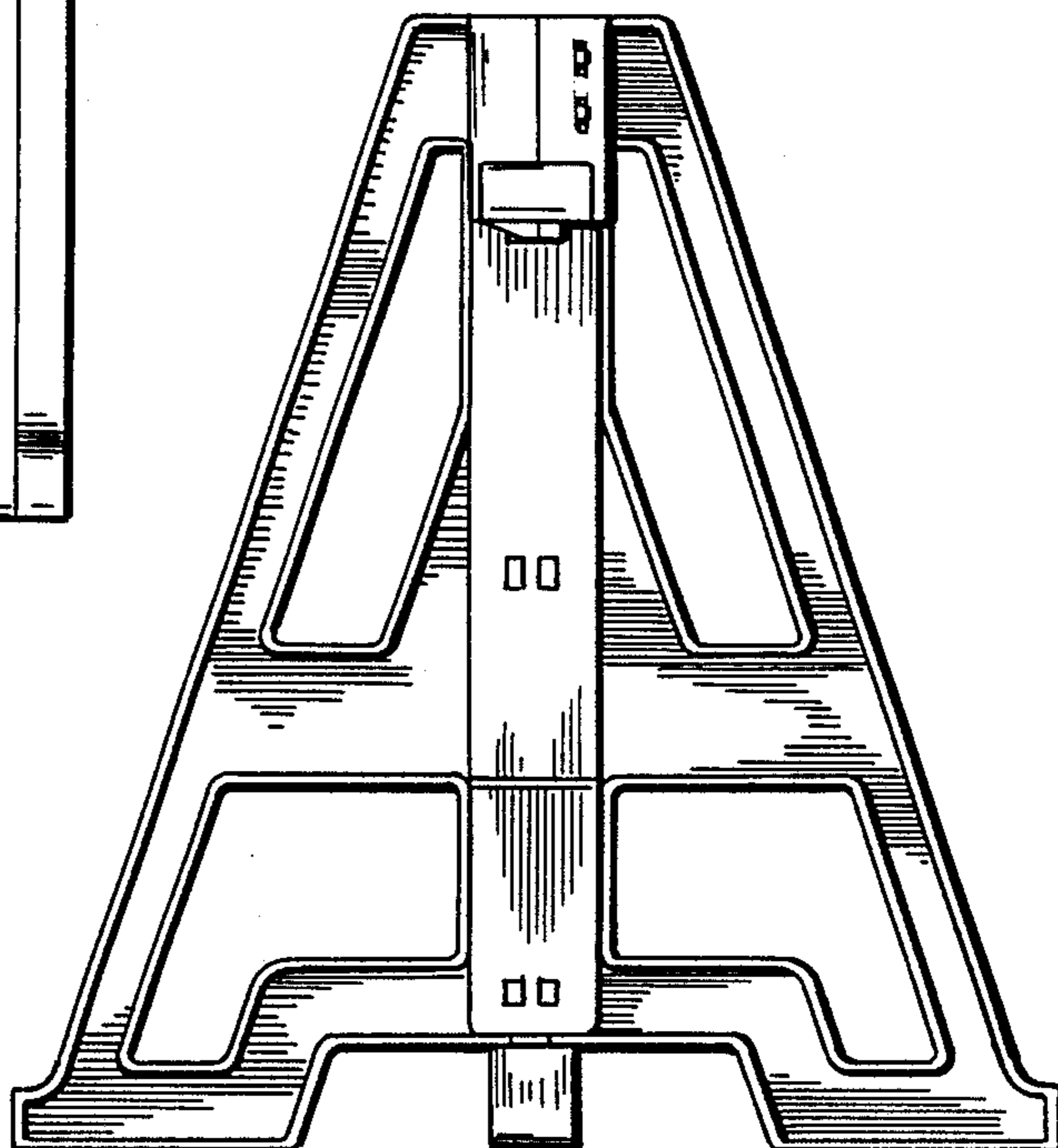


FIG. 4

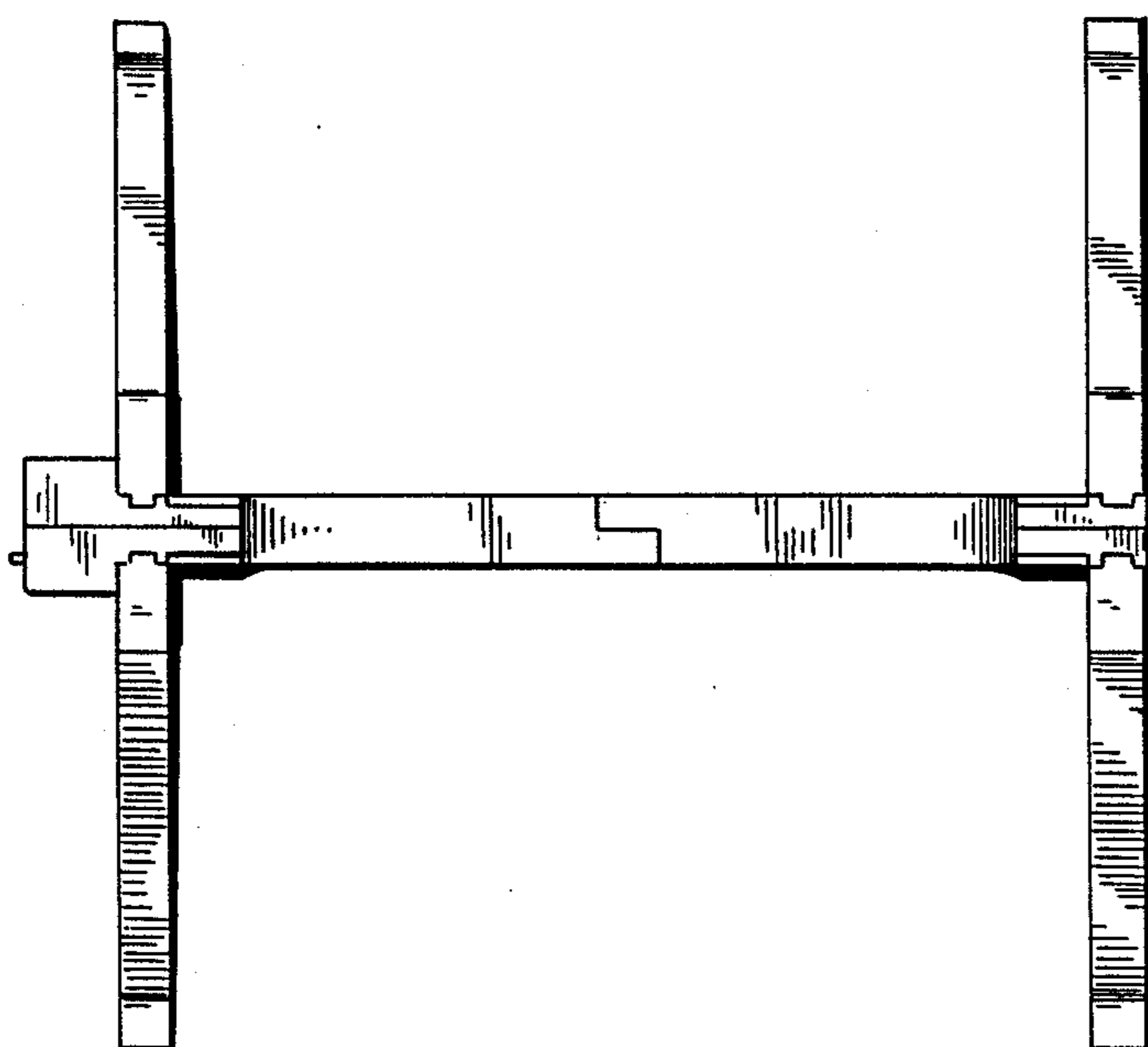


FIG. 6