

# United States Patent [19]

Sakata

[11] Patent Number: **Des. 305,568**

[45] Date of Patent: **\*\* Jan. 16, 1990**

- [54] **TILE**
- [75] Inventor: **Kiyoshi Sakata, Tokyo, Japan**
- [73] Assignee: **Park Kyung Hee, Tokyo, Japan**
- [\*\*] Term: **14 Years**
- [21] Appl. No.: **51,282**
- [22] Filed: **May 18, 1987**
- [30] **Foreign Application Priority Data**  
Nov. 19, 1986 [JP] Japan ..... 61-45446
- [52] **U.S. Cl.** ..... **D25/113; D25/138**
- [58] **Field of Search** ..... **D25/113, 114, 115, 116, D25/117, 118, 138-163; 52/606, 608; 404/41**
- [56] **References Cited**
- U.S. PATENT DOCUMENTS**  
D. 30,072 1/1899 Thomas ..... D25/138

2,882,689 4/1959 Huch et al. .... D25/113 X

## FOREIGN PATENT DOCUMENTS

2415782 10/1975 Fed. Rep. of Germany .... D25/138

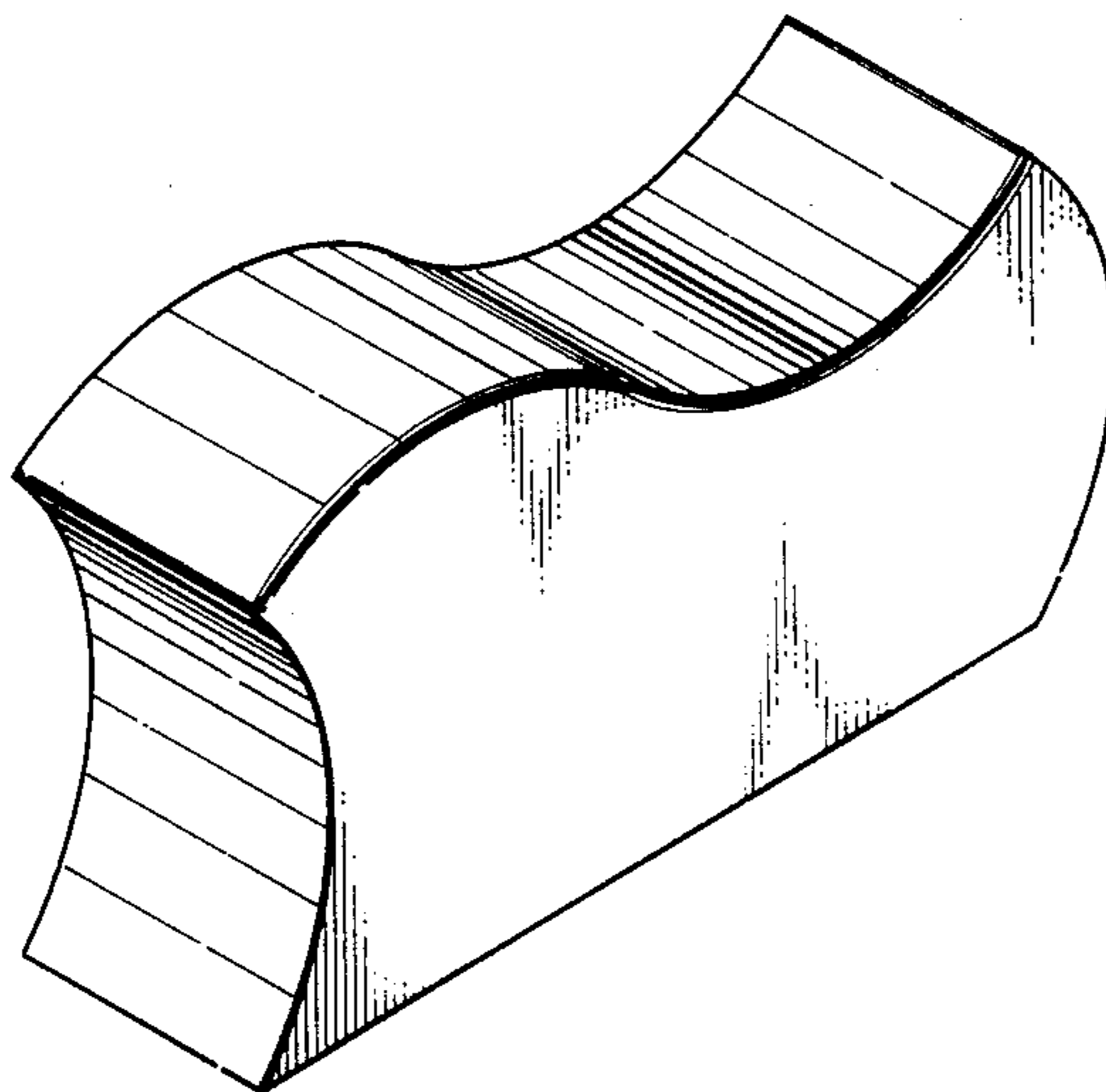
*Primary Examiner*—A. Hugo Word  
*Attorney, Agent, or Firm*—Lowe, Price, LeBlanc,  
Becker & Shur

## [57] CLAIM

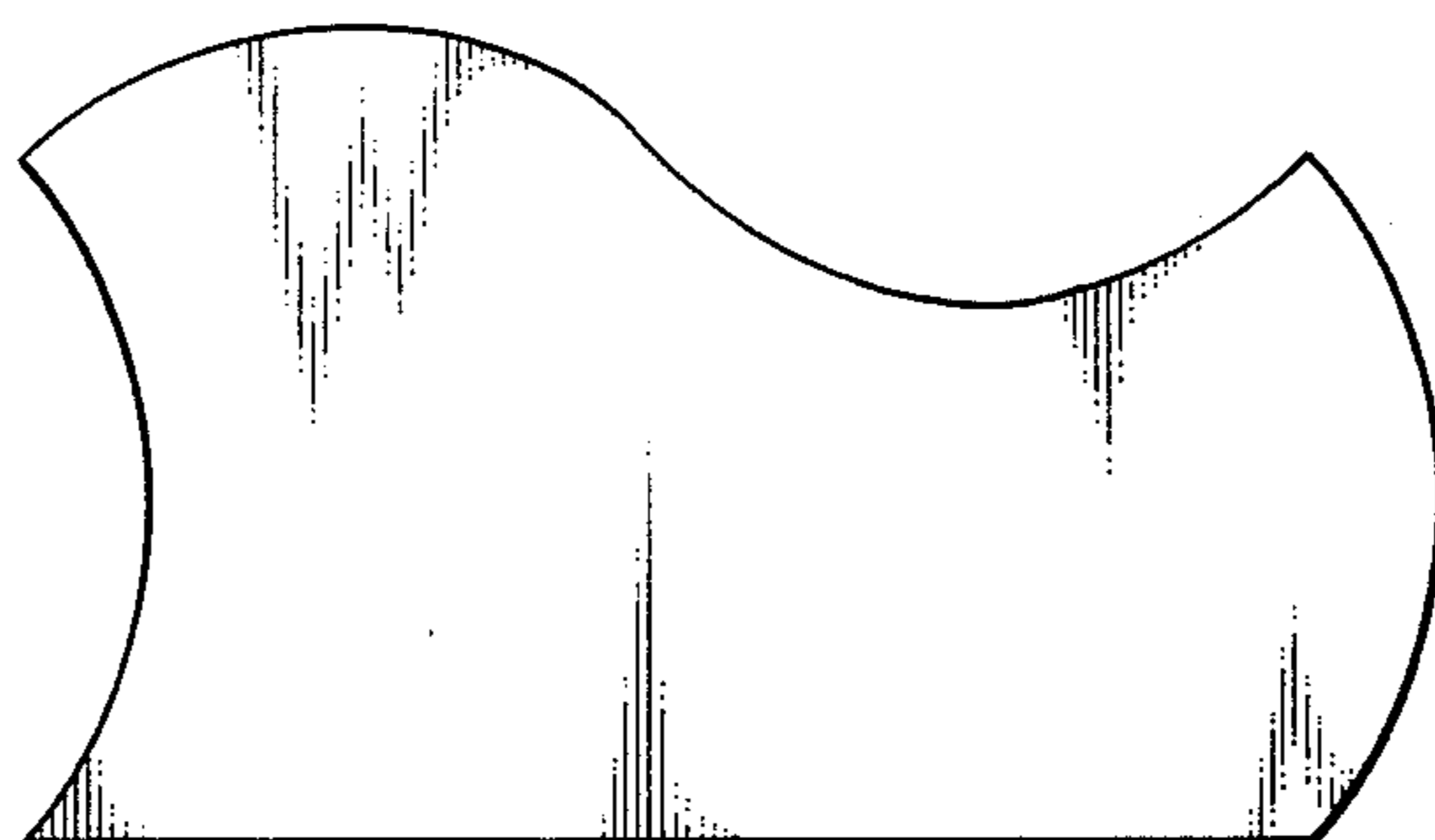
The ornamental design for a tile, as shown.

## DESCRIPTION

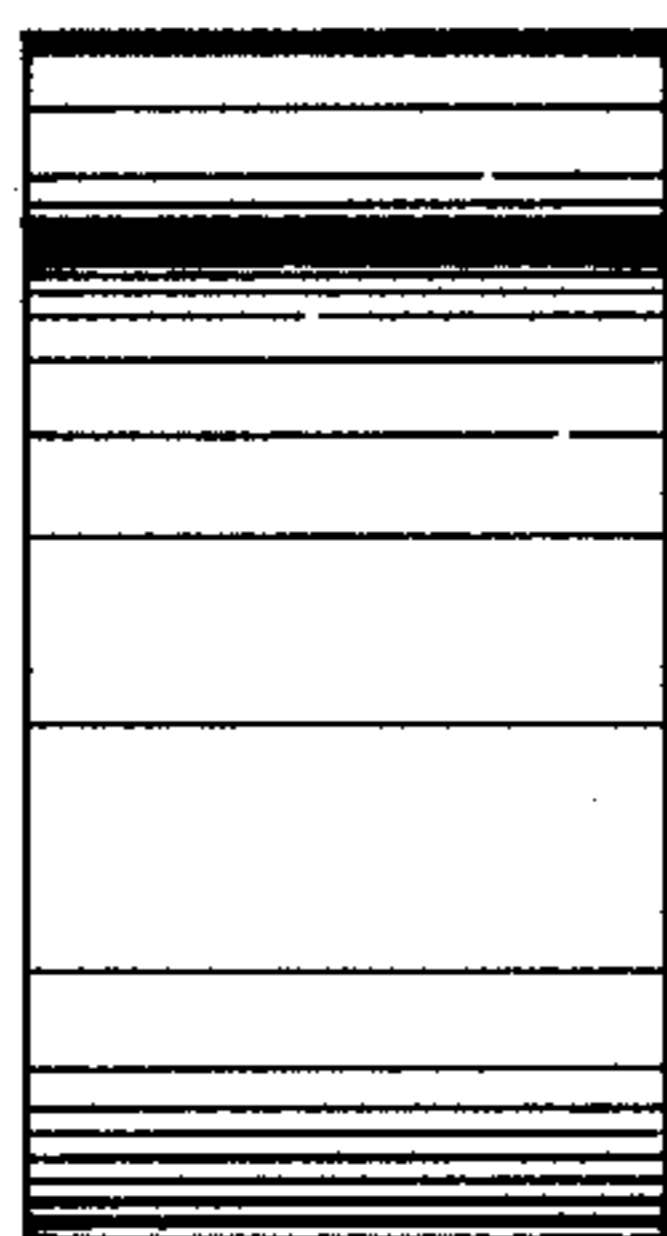
FIG. 1 is a front elevational view of a tile showing my new design;  
FIG. 2 is a left end elevational view thereof;  
FIG. 3 is a right end elevational view thereof;  
FIG. 4 is a top plan view thereof;  
FIG. 5 is a bottom plan view thereof; and,  
FIG. 6 is a perspective view thereof.



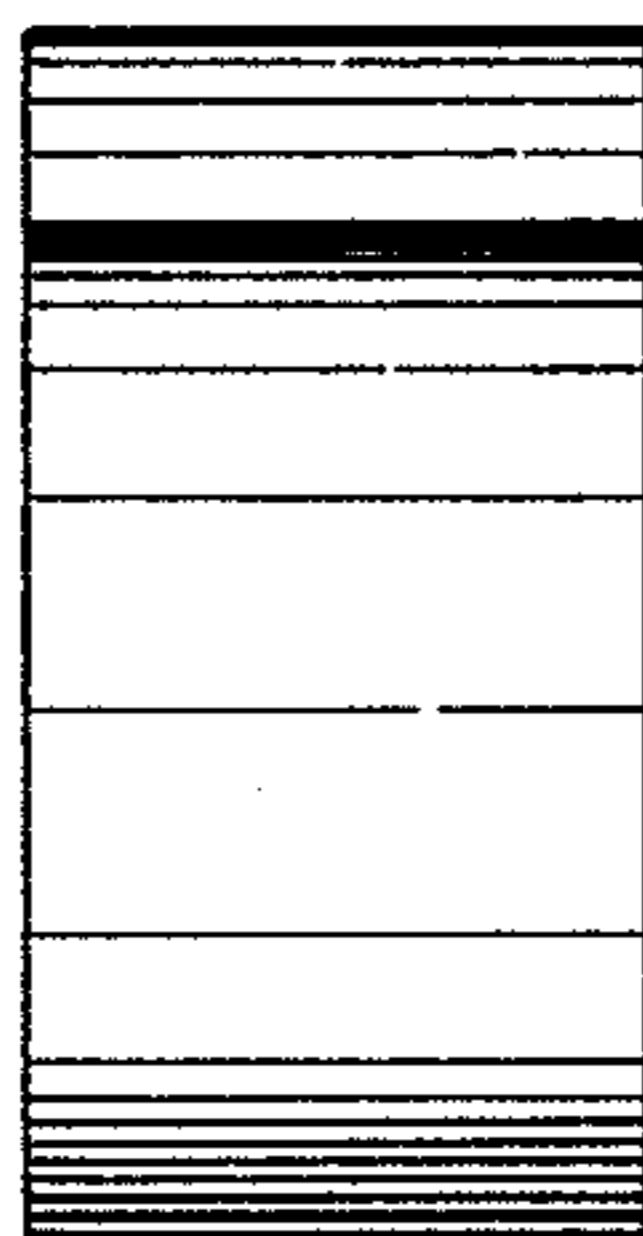
*FIG. 1*



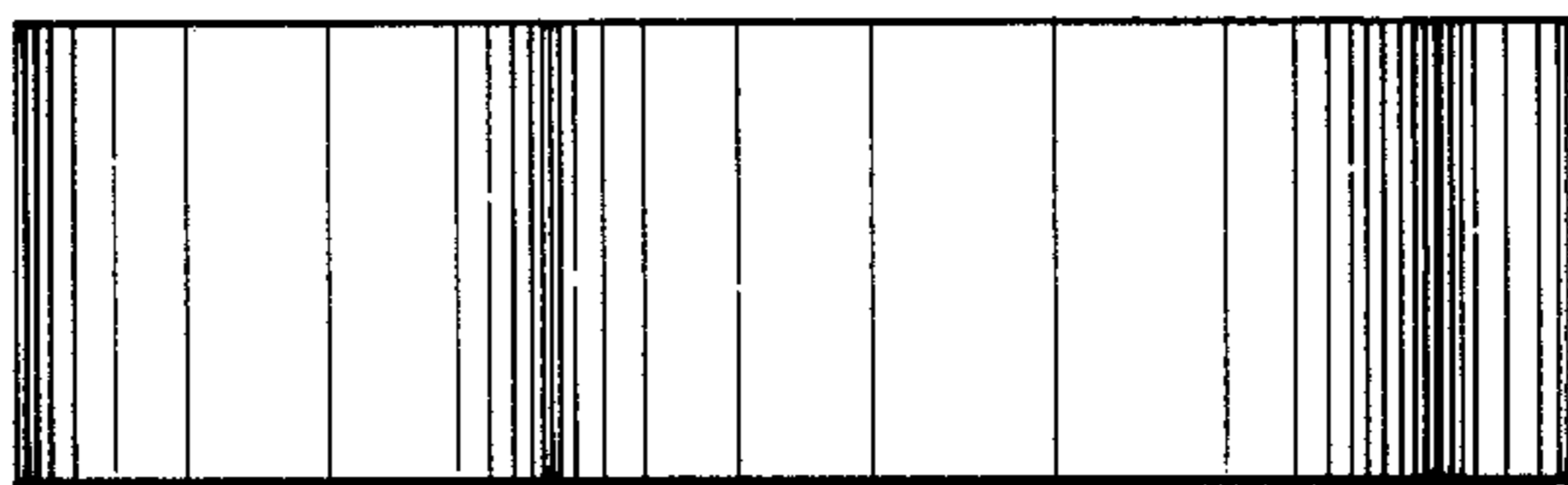
*FIG. 2*



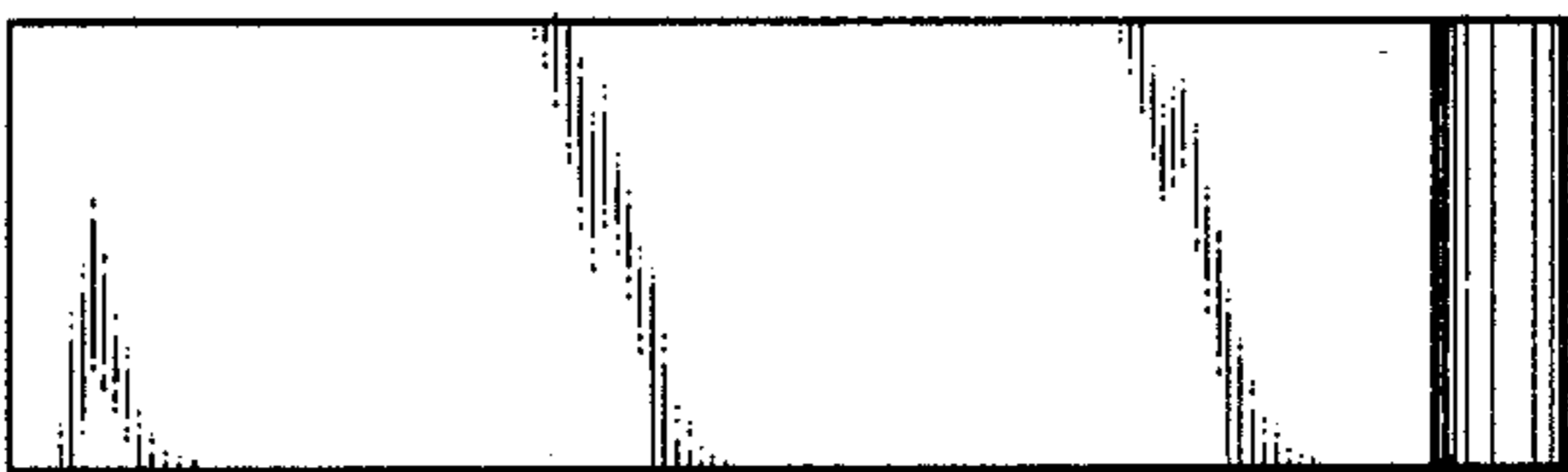
*FIG. 3*



*FIG. 4*



*FIG. 5*



*FIG. 6*

