

[54] **TOY FIGURE OR THE LIKE**

[76] **Inventor:** Guy-Claude Joseph, 7955 S. Ashland Ave., Chicago, Ill. 60620
[**] **Term:** 14 Years
[21] **Appl. No.:** 925,410
[22] **Filed:** Oct. 31, 1986
[52] **U.S. Cl.** D21/155; D21/184
[58] **Field of Search** D21/155, 166, 184, 108; D11/160; D19/59; 434/159

[56] **References Cited**

U.S. PATENT DOCUMENTS

D. 210,836 4/1968 Delaney D21/155
D. 236,138 7/1975 Smith D11/160
1,377,261 5/1921 McLain et al. D21/166

Primary Examiner—Melvin B. Feifer
Attorney, Agent, or Firm—Welsh & Katz, Ltd.

[57] **CLAIM**

The ornamental design for a toy figure or the like, as shown and described.

DESCRIPTION

FIG. 1 is a perspective view of a toy figure or the like showing my new design;
FIG. 2 is a front elevational view thereof;
FIG. 3 is a top plan view thereof;
FIG. 4 is a right side view thereof;
FIG. 5 is a bottom view thereof; and
FIG. 6 is a rear elevational view thereof;
The side of the toy figure or the like not shown, is substantially the mirror image of the side shown in FIG. 4;
FIG. 7 is a perspective view of another embodiment of a toy figure or the like showing my new design;
FIG. 8 is a front elevational view of the embodiment shown in FIG. 7;
FIG. 9 is a top plan view of the embodiment shown in FIG. 7;
FIG. 10 is a right side view of the embodiment shown in FIG. 7;
FIG. 11 is a bottom view of the embodiment shown in FIG. 7; and
FIG. 12 is a rear elevational view of the embodiment shown in FIG. 7.
The side not shown of the embodiment of the toy figure or the like shown in FIGS. 7-12, is substantially the mirror image of the side shown in FIG. 10.

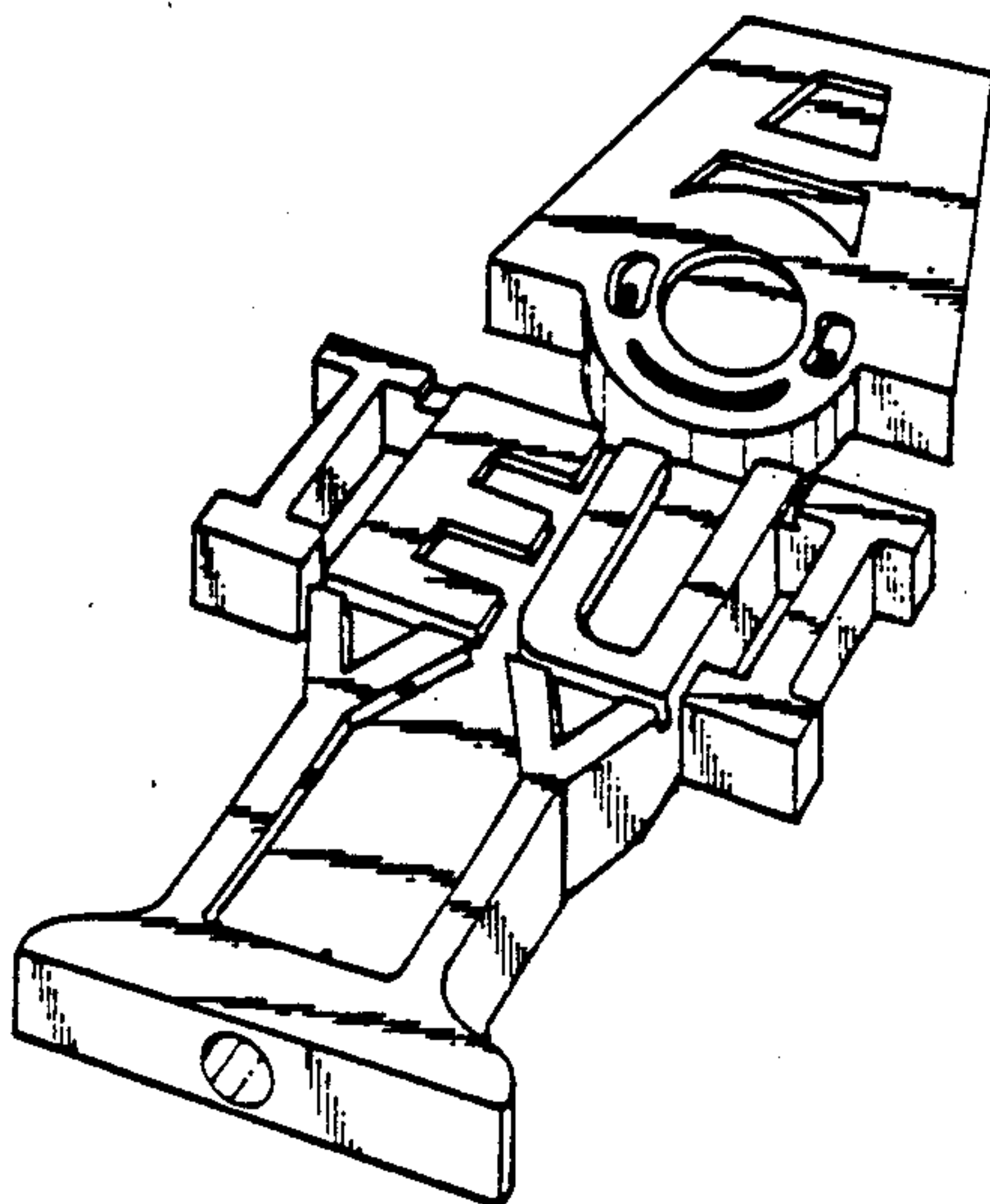




FIG. 3

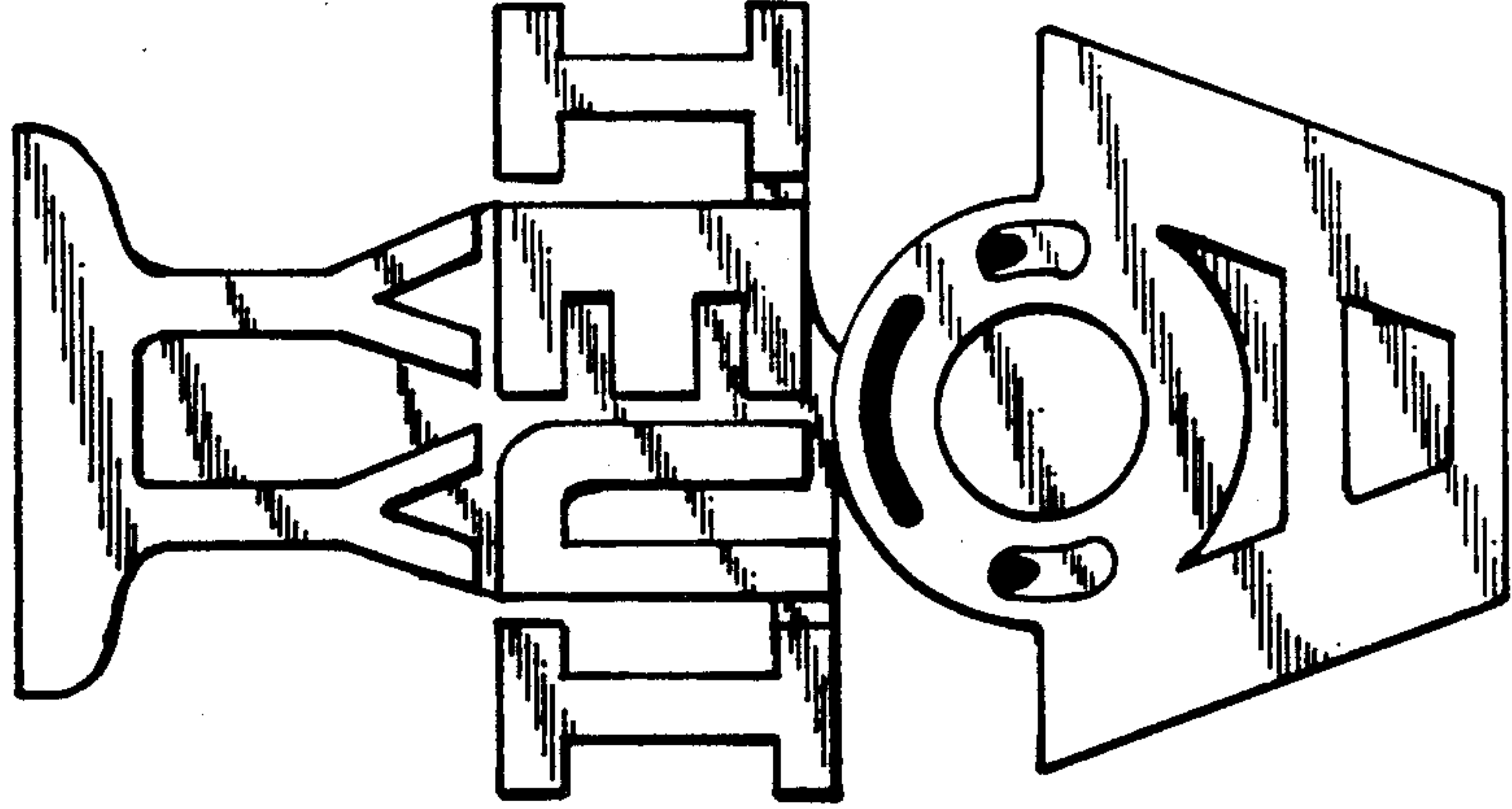


FIG. 2



FIG. 4

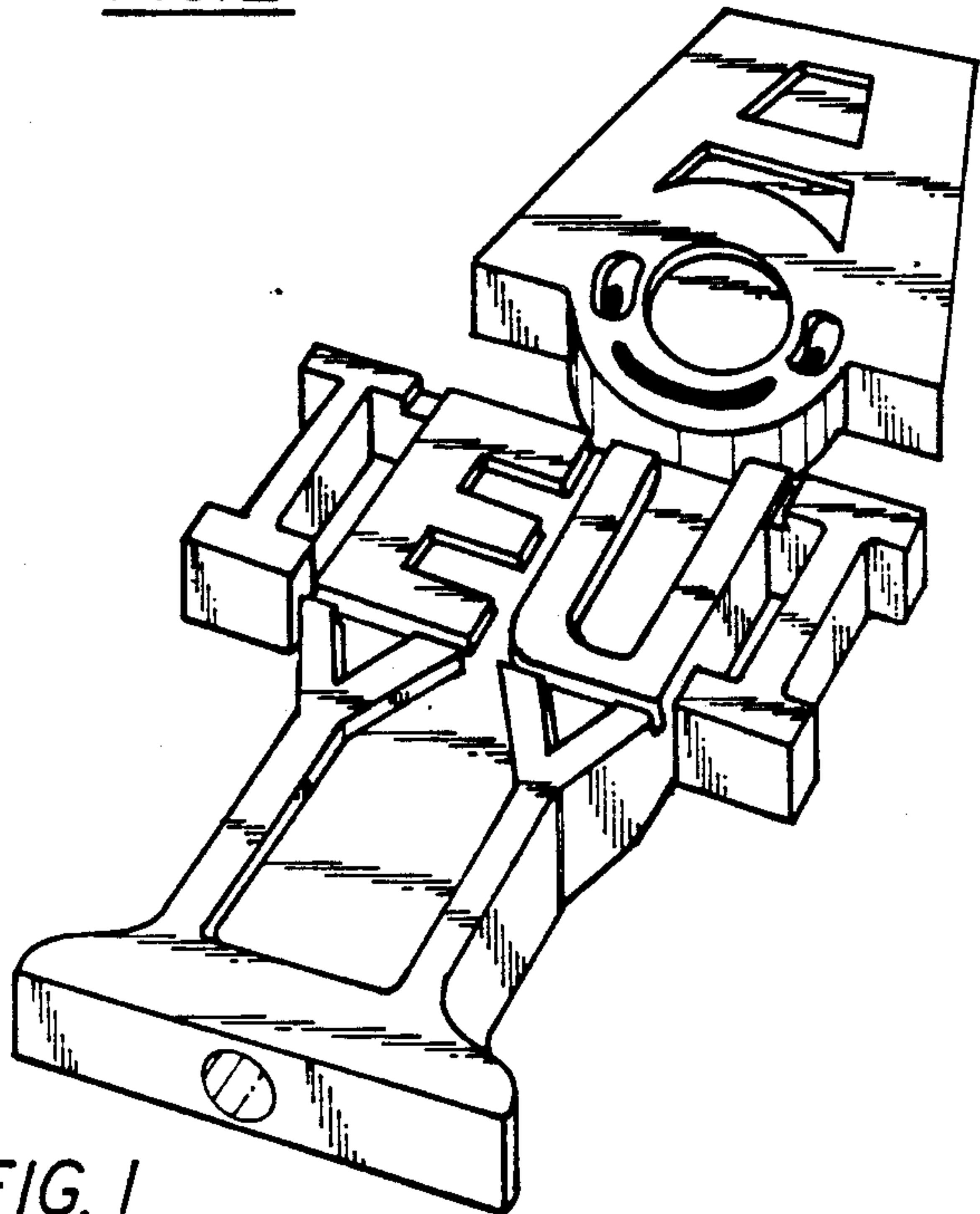


FIG. 1



FIG. 5

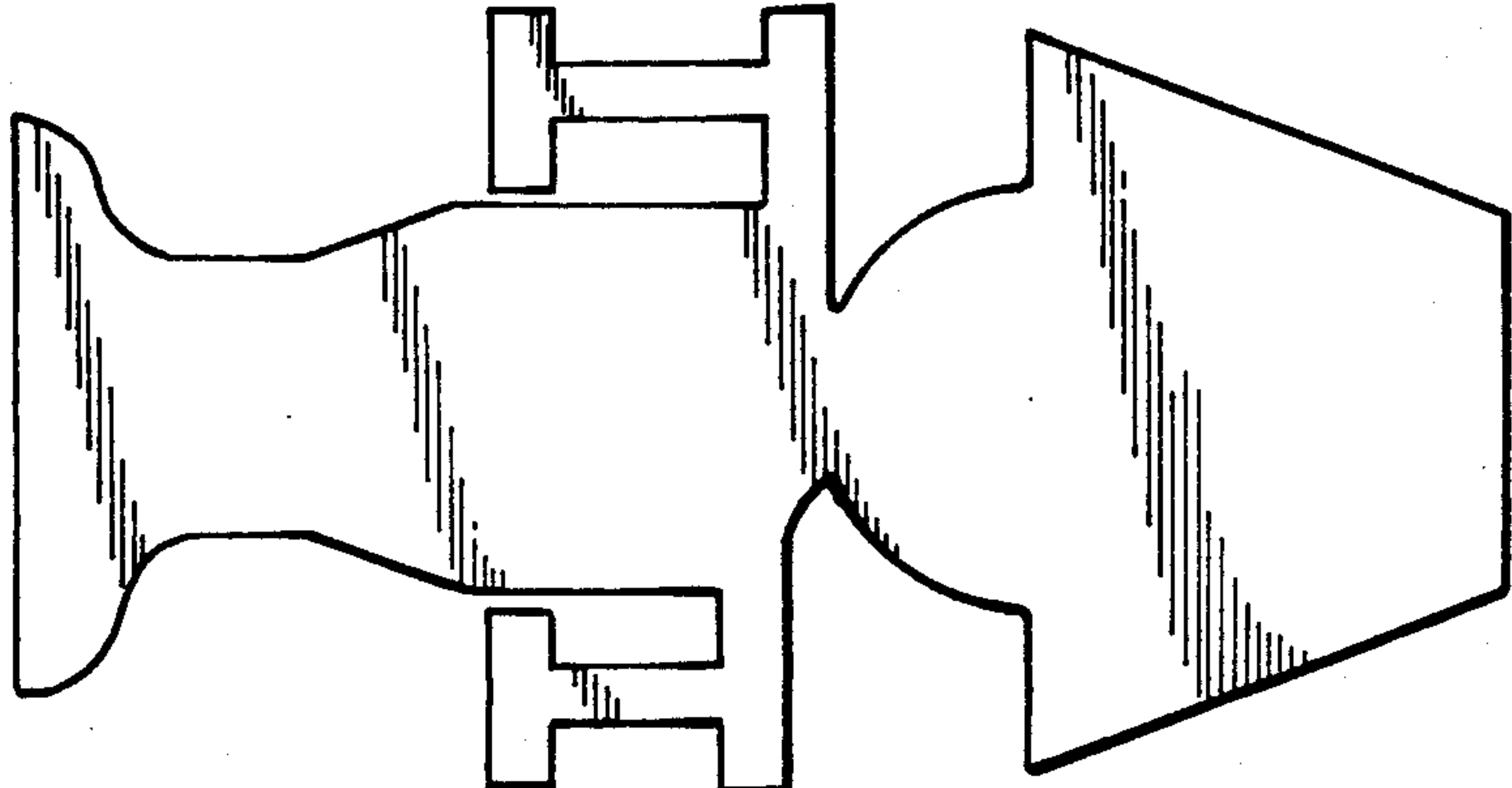


FIG. 6



FIG. 9

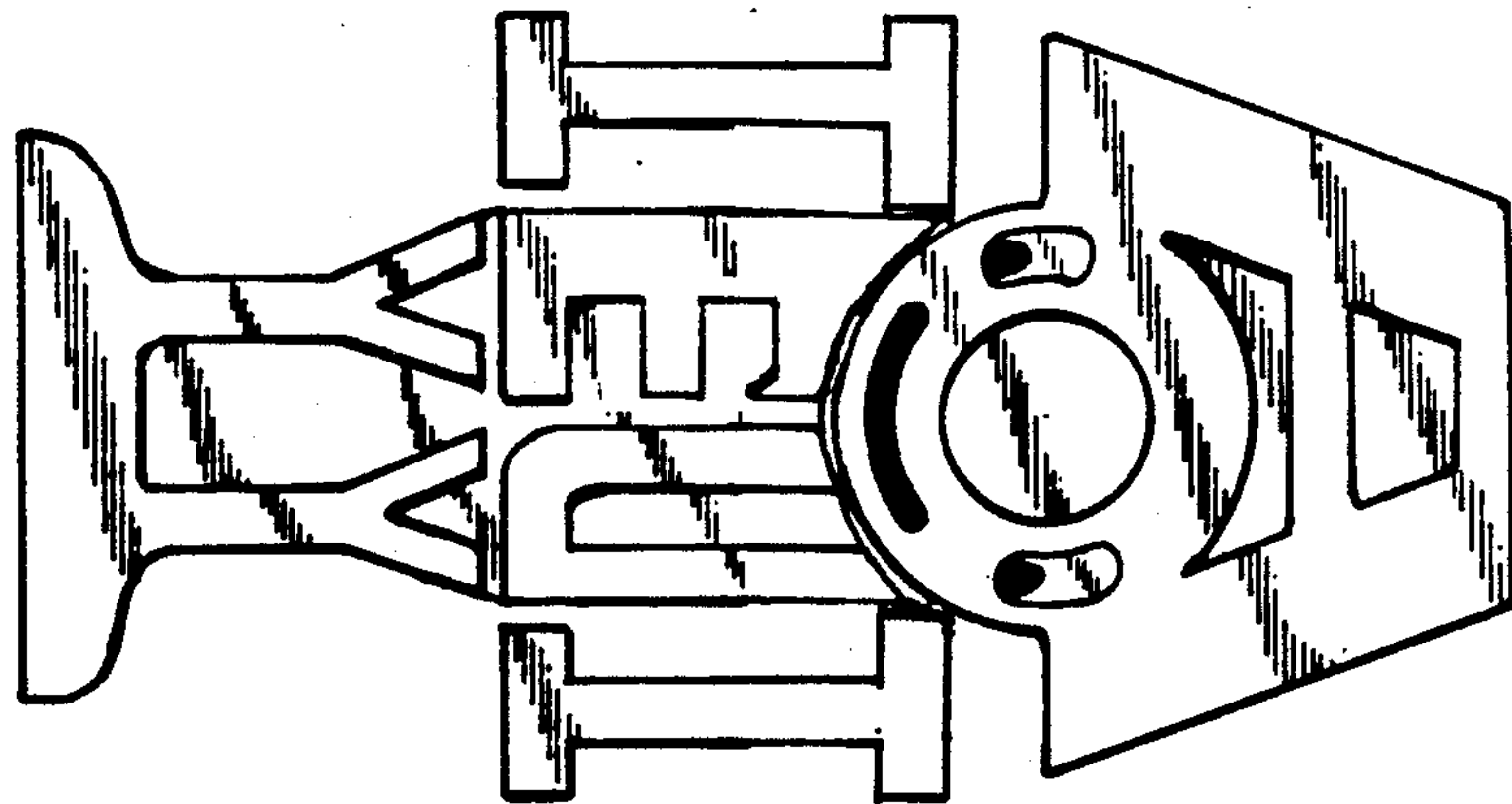


FIG. 8



FIG. 10

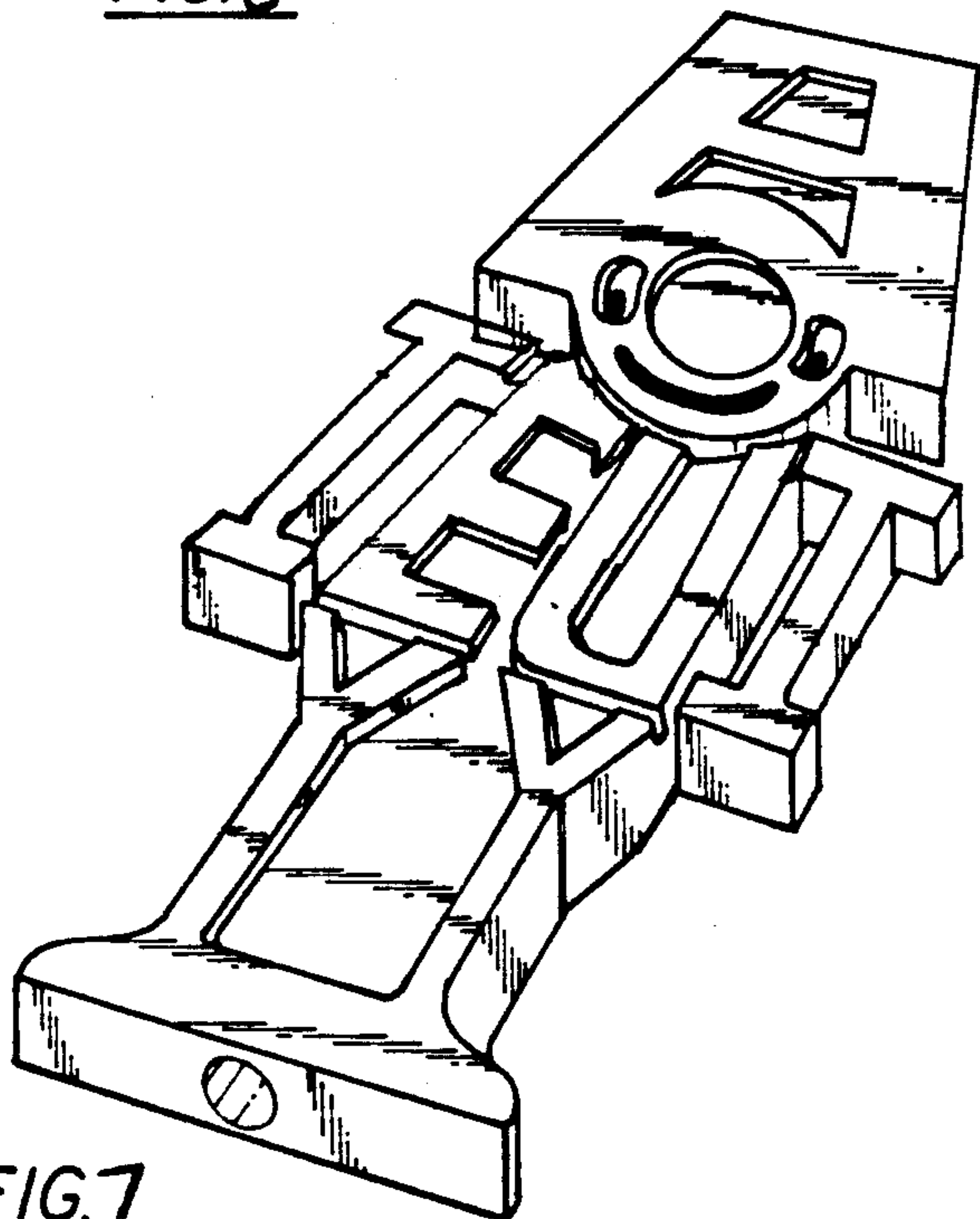


FIG. 7



FIG. 11

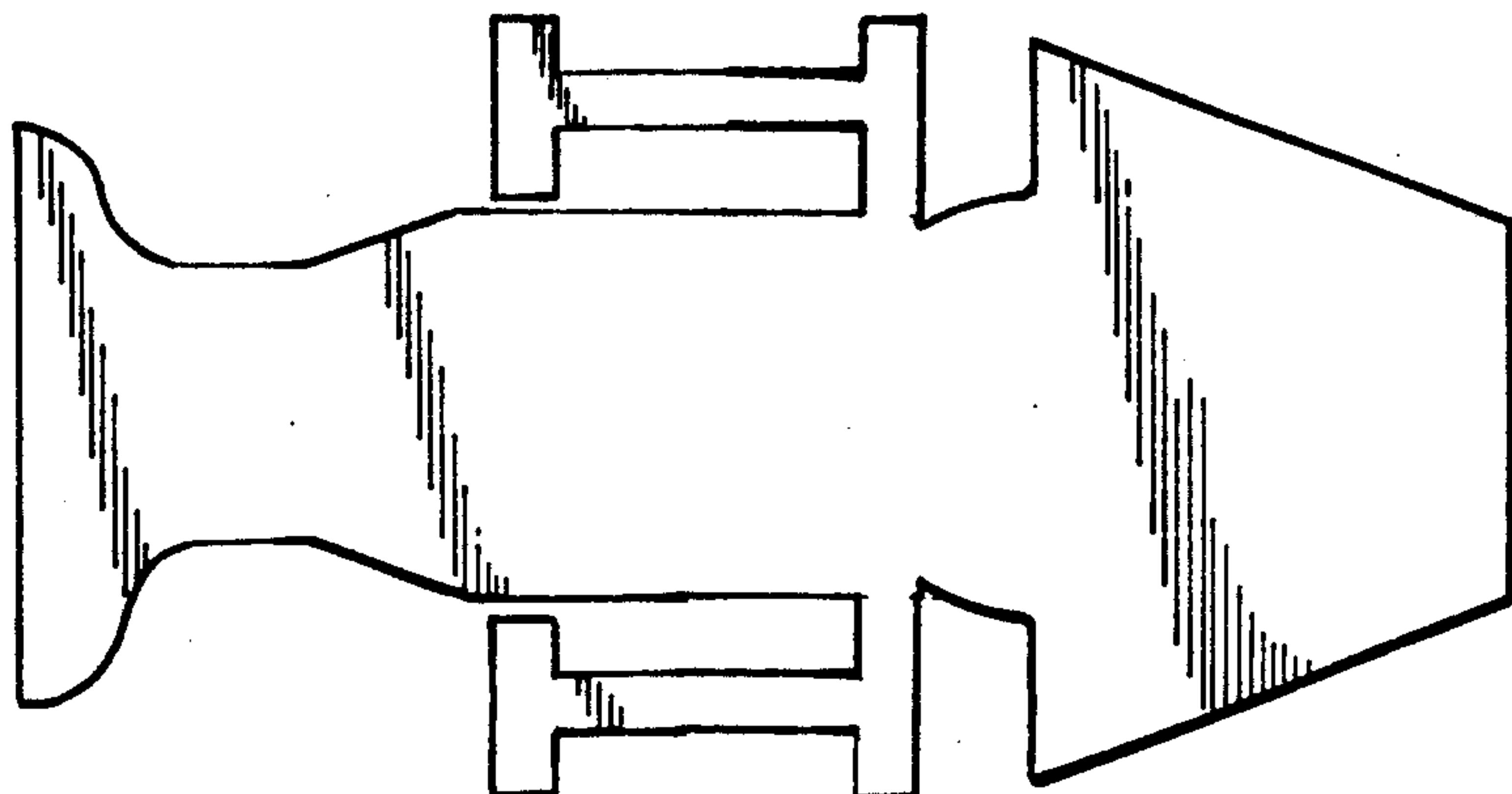


FIG. 12