

[54] TOY TRUCK

[75] Inventor: Lee Spielberger, East Aurora, N.Y.

[73] Assignee: The Quaker Oats Company, Chicago, Ill.

[**] Term: 14 Years

[21] Appl. No.: 256,928

[22] Filed: Oct. 11, 1988

[52] U.S. Cl. D21/134

[58] Field of Search D21/71, 73, 74, 76, D21/77, 78, 80, 124, 128, 132, 133, 134, 135, 136, 137, 140; 280/1.12, 1.13, 1.21, 1.22, 87.01, 87.05, 828, 1.5, 3, 4, 7.15, 200, 655.1, 87.021, 87.051, 47, 371

[56] References Cited

U.S. PATENT DOCUMENTS

D. 252,892 9/1979 Shigenori D21/134

D. 253,186 10/1979 Fratacangeli D21/135
D. 258,972 4/1981 Samuels D21/134
D. 258,973 4/1981 Samuels D21/133
D. 268,405 3/1983 Hanses et al. D21/71
D. 285,949 9/1986 Thomson et al. D21/134
4,270,305 6/1981 Samuels 446/95

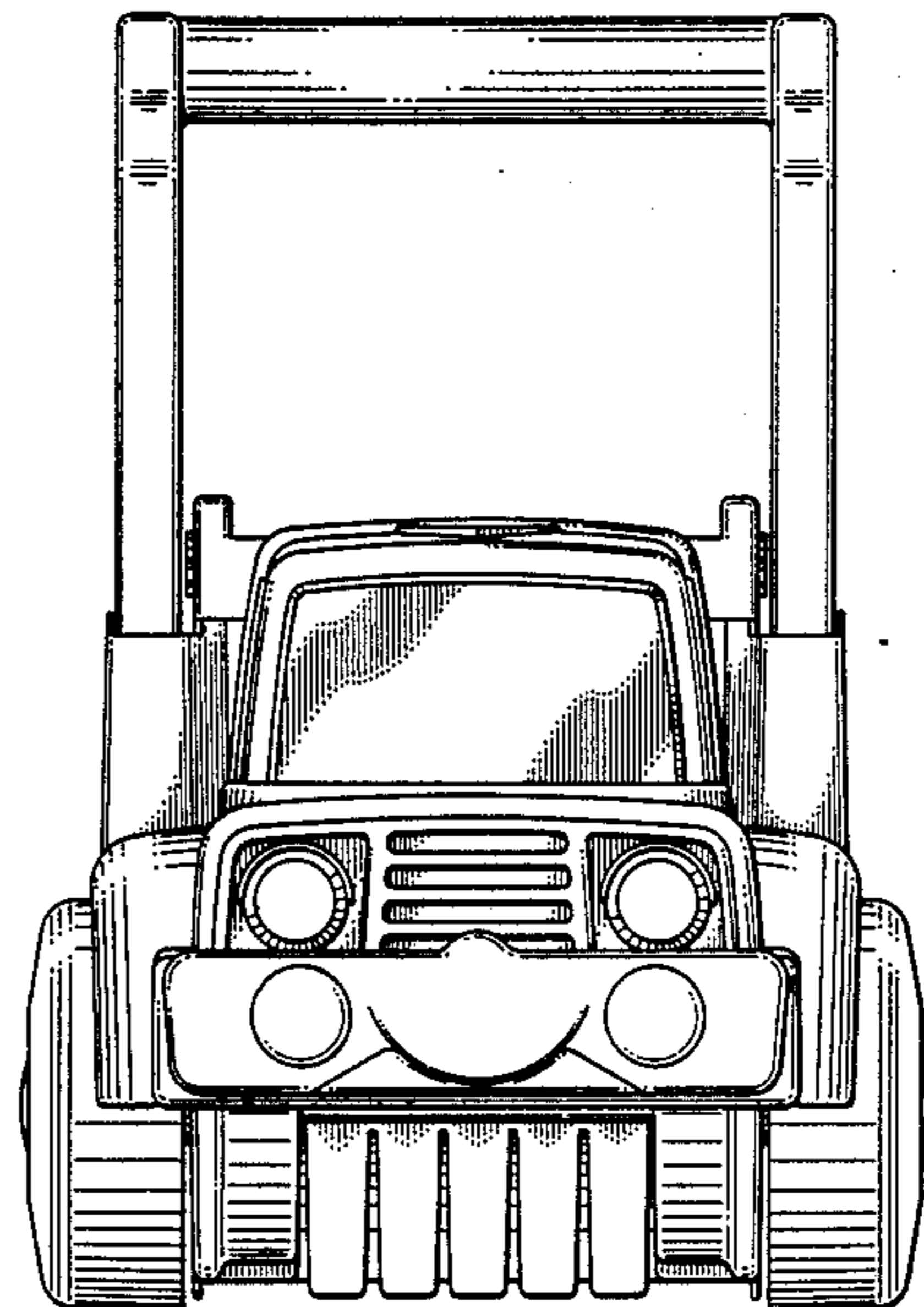
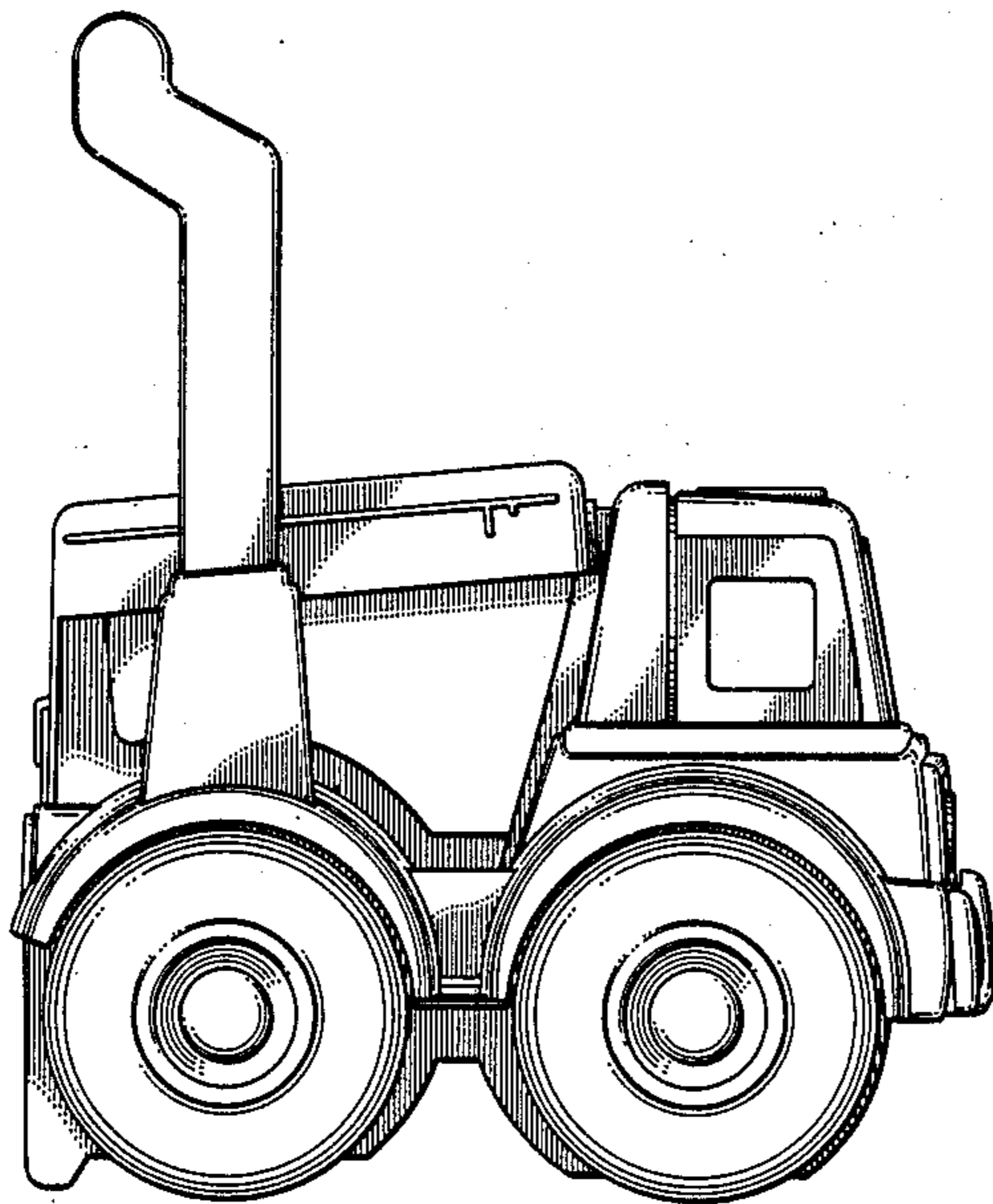
Primary Examiner—Charles A. Rademaker
Assistant Examiner—Alicia A. Farrell
Attorney, Agent, or Firm—Cumpston & Shaw

[57] CLAIM

The ornamental design for a toy truck, as shown.

DESCRIPTION

FIG. 1 is a right side elevational view of a toy truck showing my new design;
FIG. 2 is a front elevational view thereof;
FIG. 3 is a bottom plan view thereof;
FIG. 4 is a left side elevational view thereof;
FIG. 5 is a top plan view thereof; and
FIG. 6 is a rear elevational view thereof.



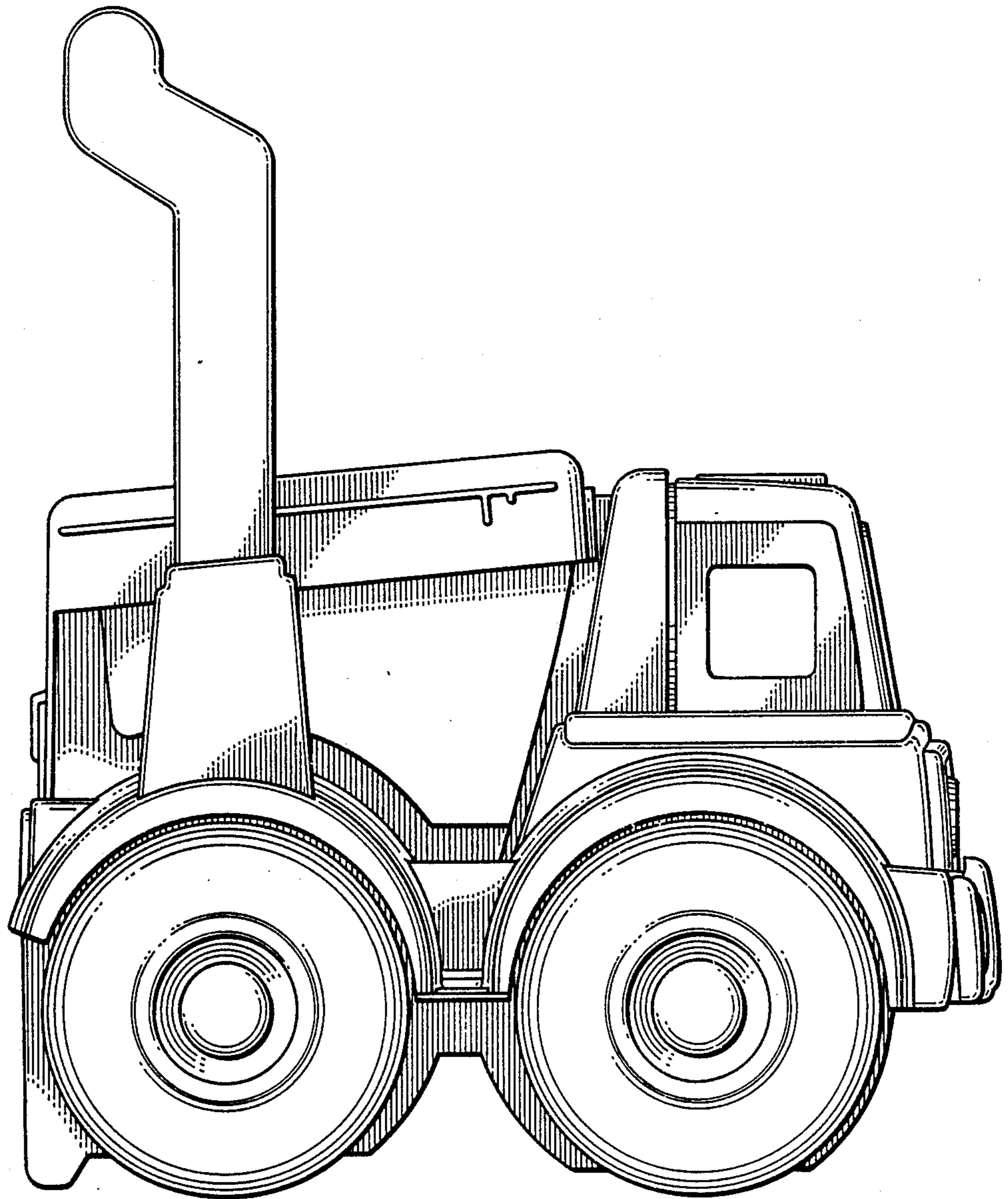


FIG. 1

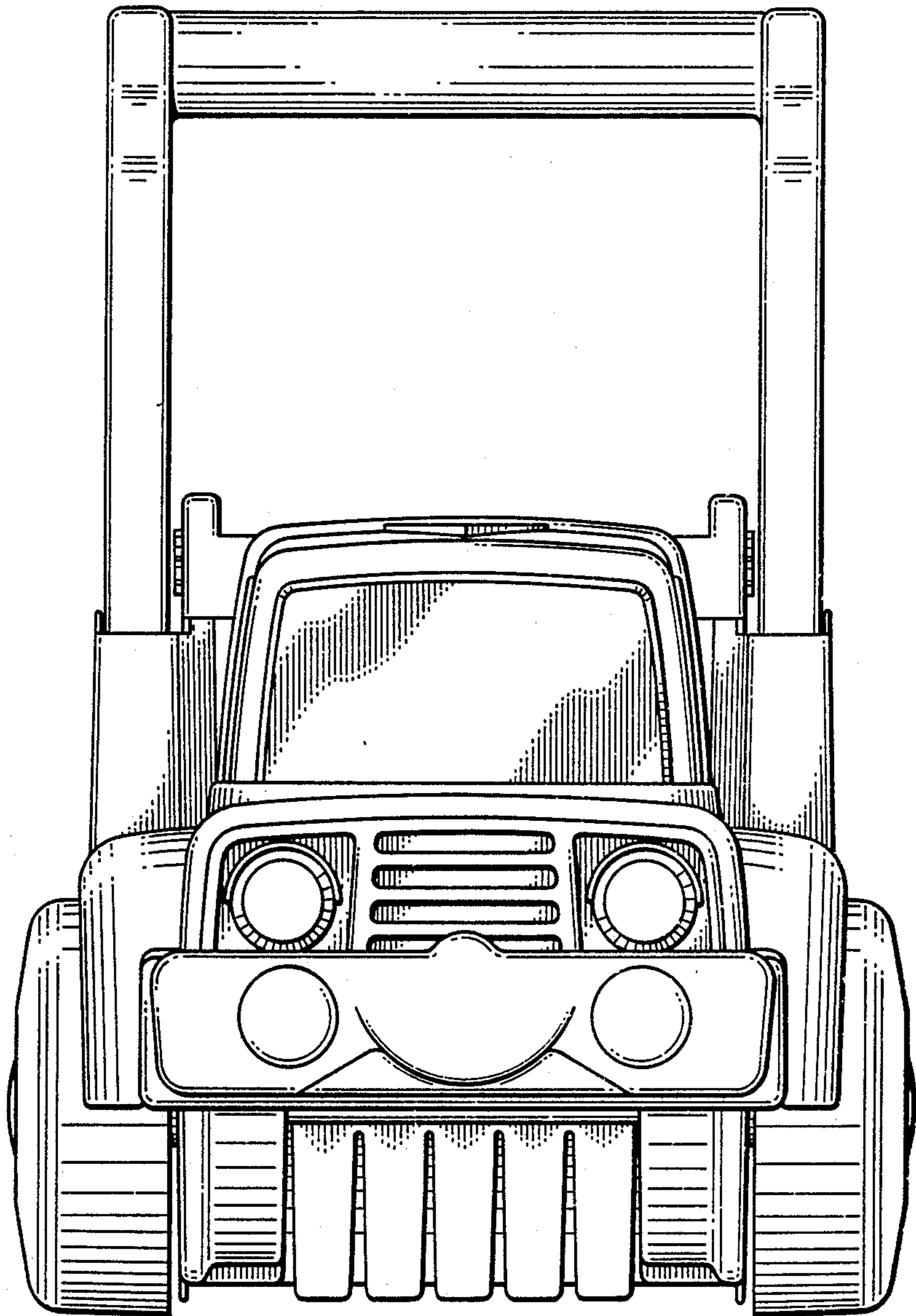


FIG. 2

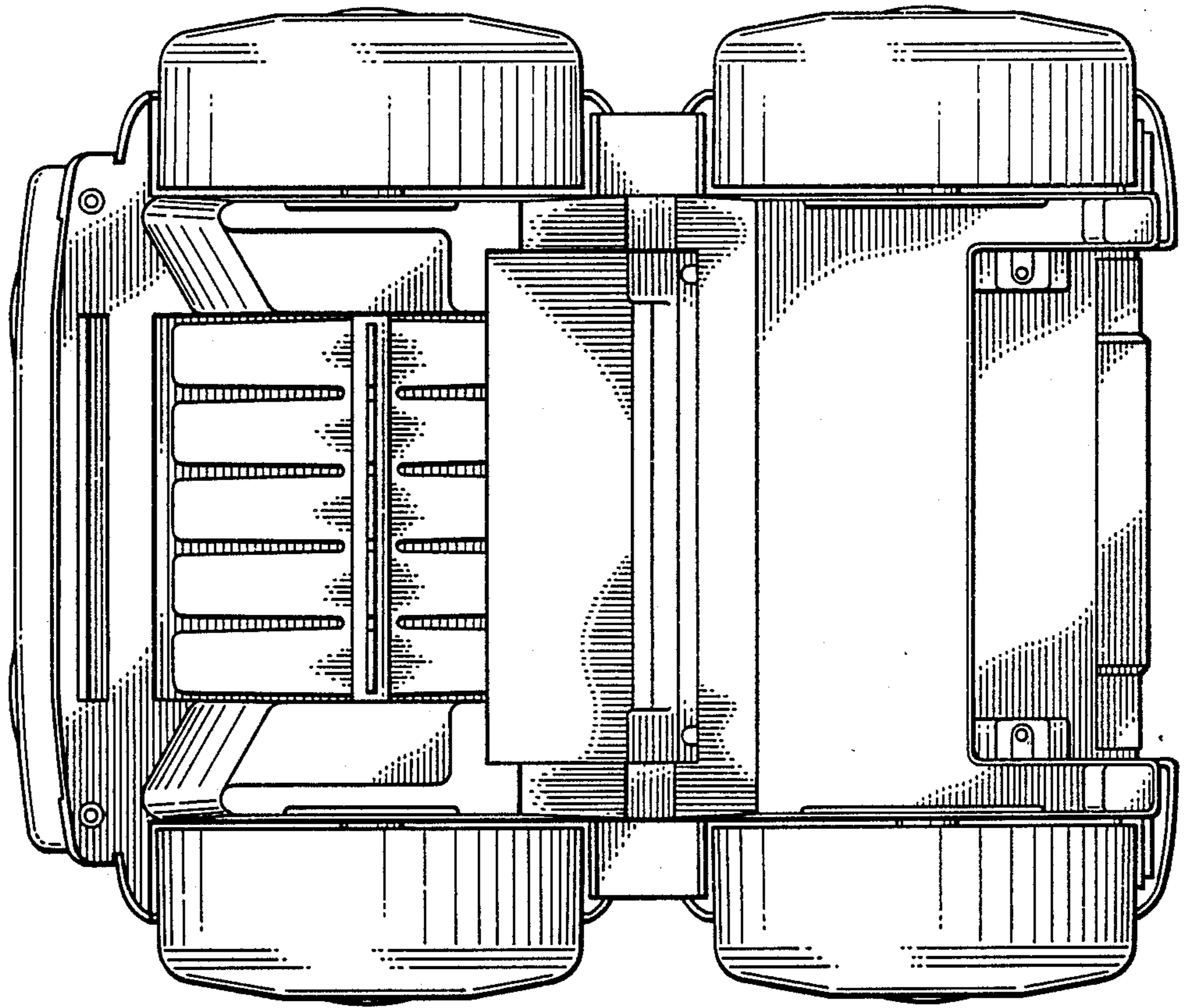


FIG. 3

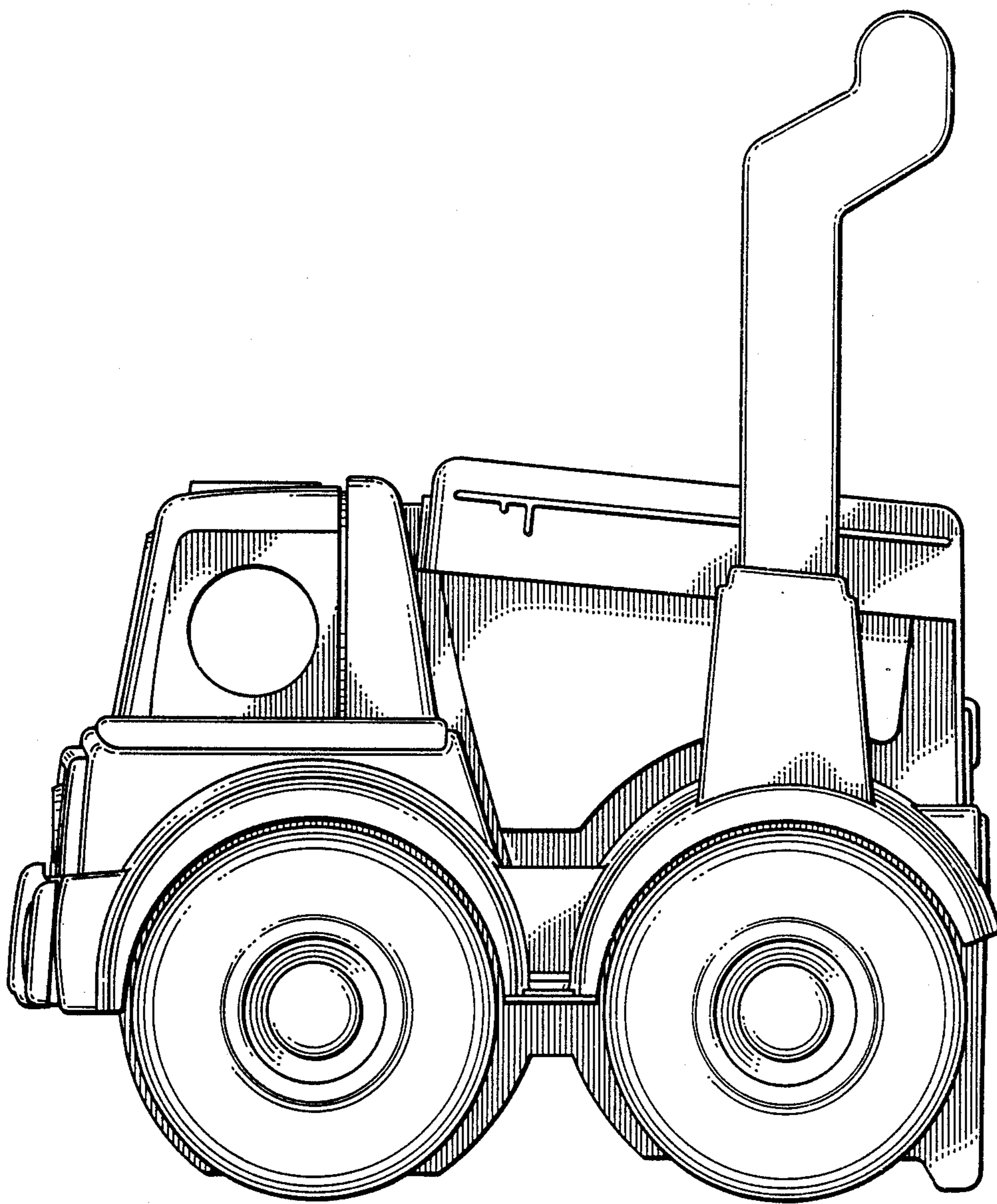


FIG. 4

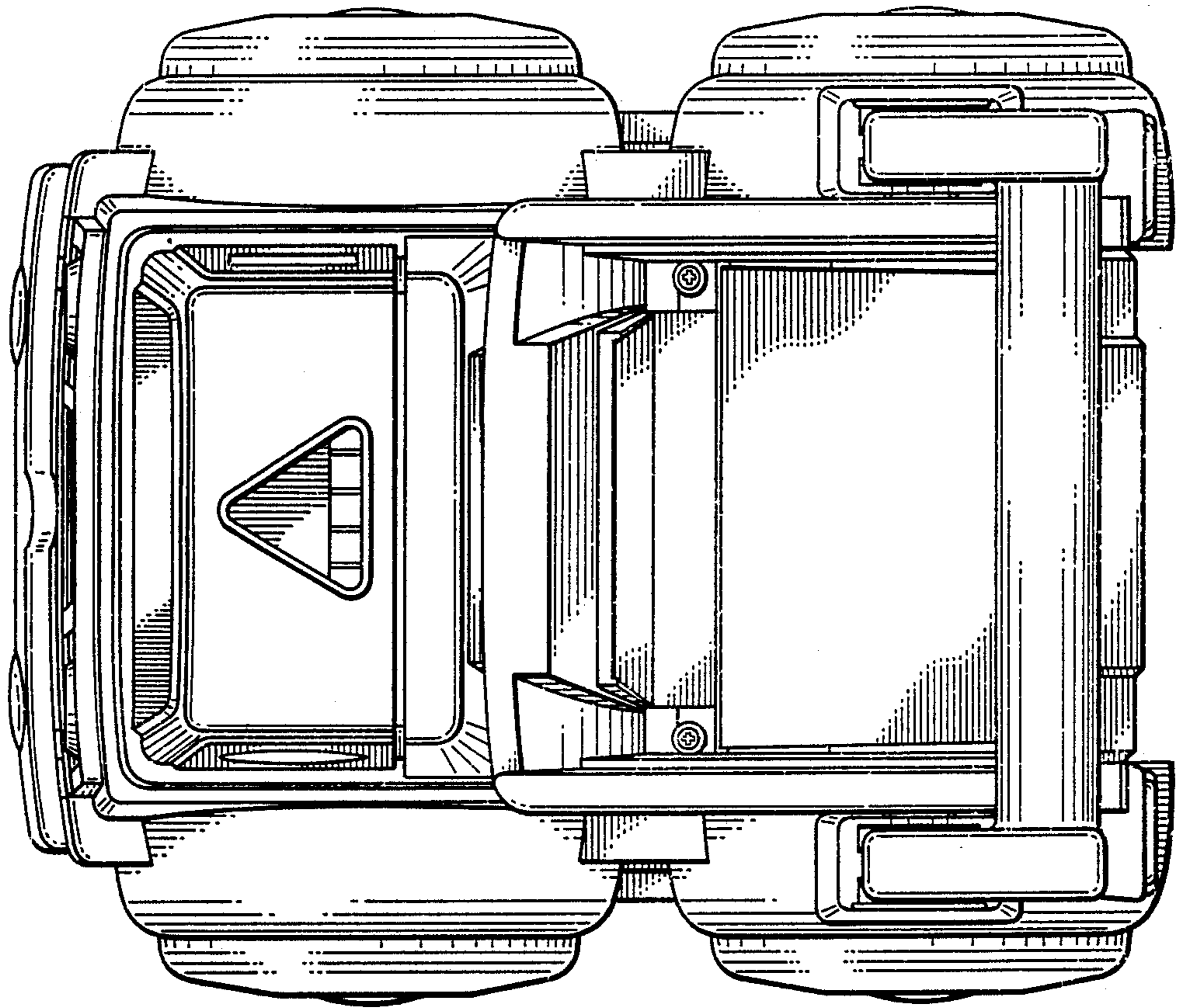


FIG. 5

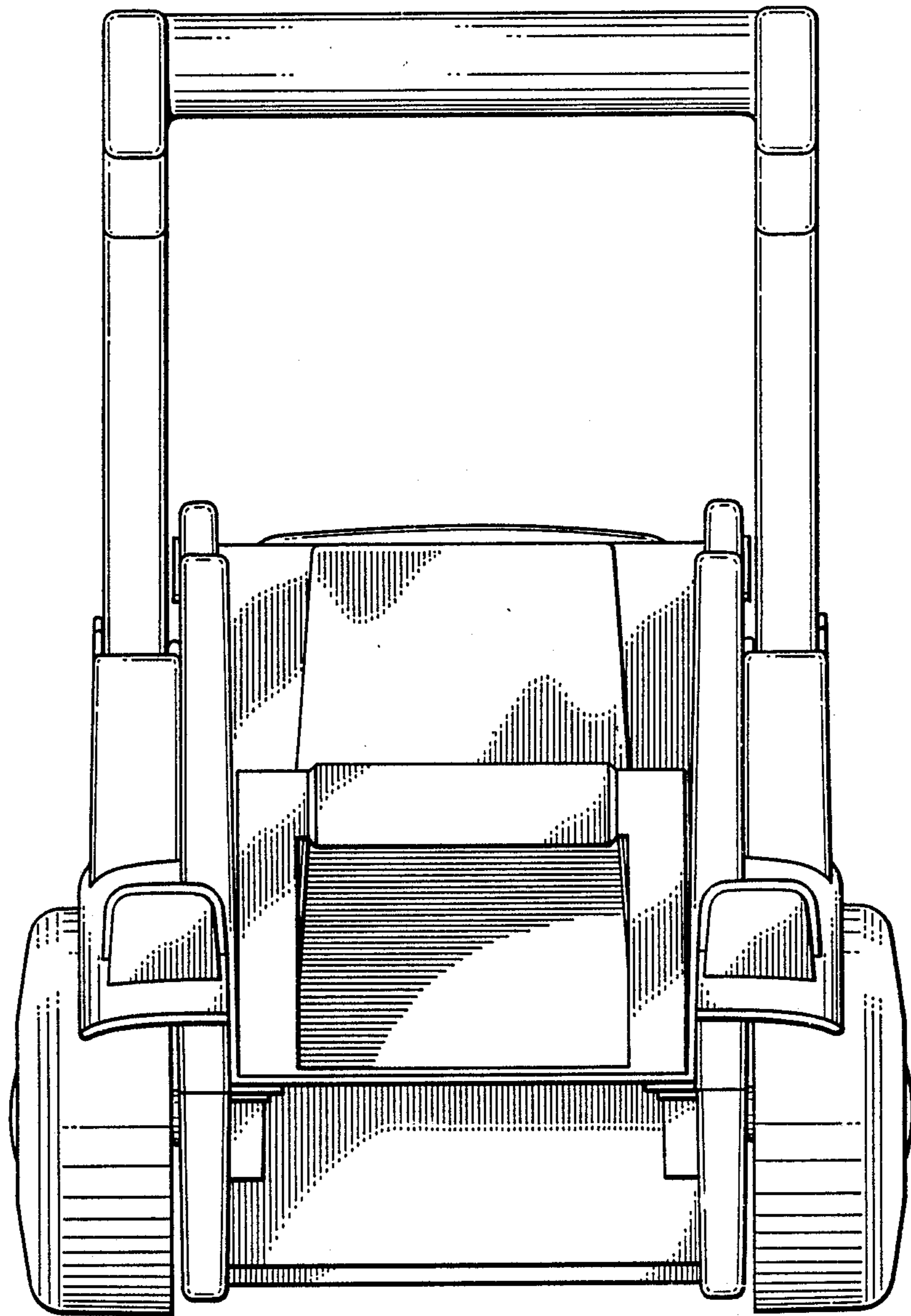


FIG. 6