

[54] WATER GAME HOUSING

[75] Inventor: Makiko Watanabe, Tokyo, Japan
[73] Assignee: Tomy Kogyo Co., Inc., Tokyo, Japan
[**] Term: 14 Years
[21] Appl. No.: 24,407
[22] Filed: Mar. 11, 1987

[30] Foreign Application Priority Data
Sep. 13, 1986 [JP] Japan 61-36245
[52] U.S. Cl. D21/12
[58] Field of Search D21/7, 9, 10, 12;
273/236-287, 12

[56] References Cited
U.S. PATENT DOCUMENTS
D. 245,360 8/1977 Kojima D21/12
D. 256,380 8/1980 Saitoh D21/12

OTHER PUBLICATIONS

Tomy Corporation Catalog; 1977, pp. 20 & 21, "Wee Wonderful Waterfuls".

Primary Examiner—B. J. Bullock
Assistant Examiner—William Krawczewicz
Attorney, Agent, or Firm—Staas & Halsey

[57] CLAIM

The ornamental design for a water game housing, as shown.

DESCRIPTION

FIG. 1 is a front elevational view of a water game housing showing my new design;
FIG. 2 is a rear elevational view thereof;
FIG. 3 is a right side elevational view thereof;
FIG. 4 is a left side elevational view thereof;
FIG. 5 is a top plan view thereof; and
FIG. 6 is a bottom plan view thereof.

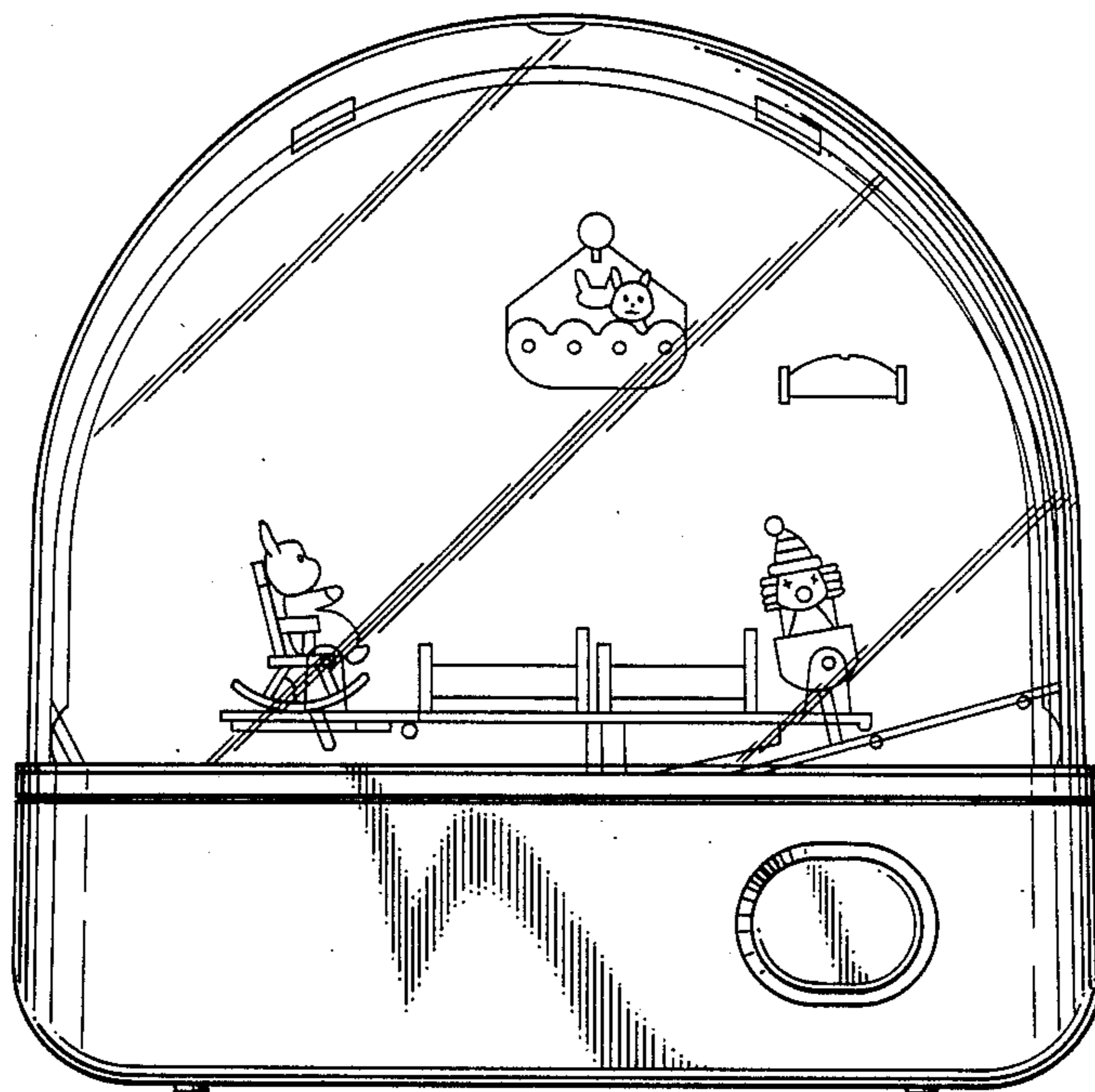


FIG. 1

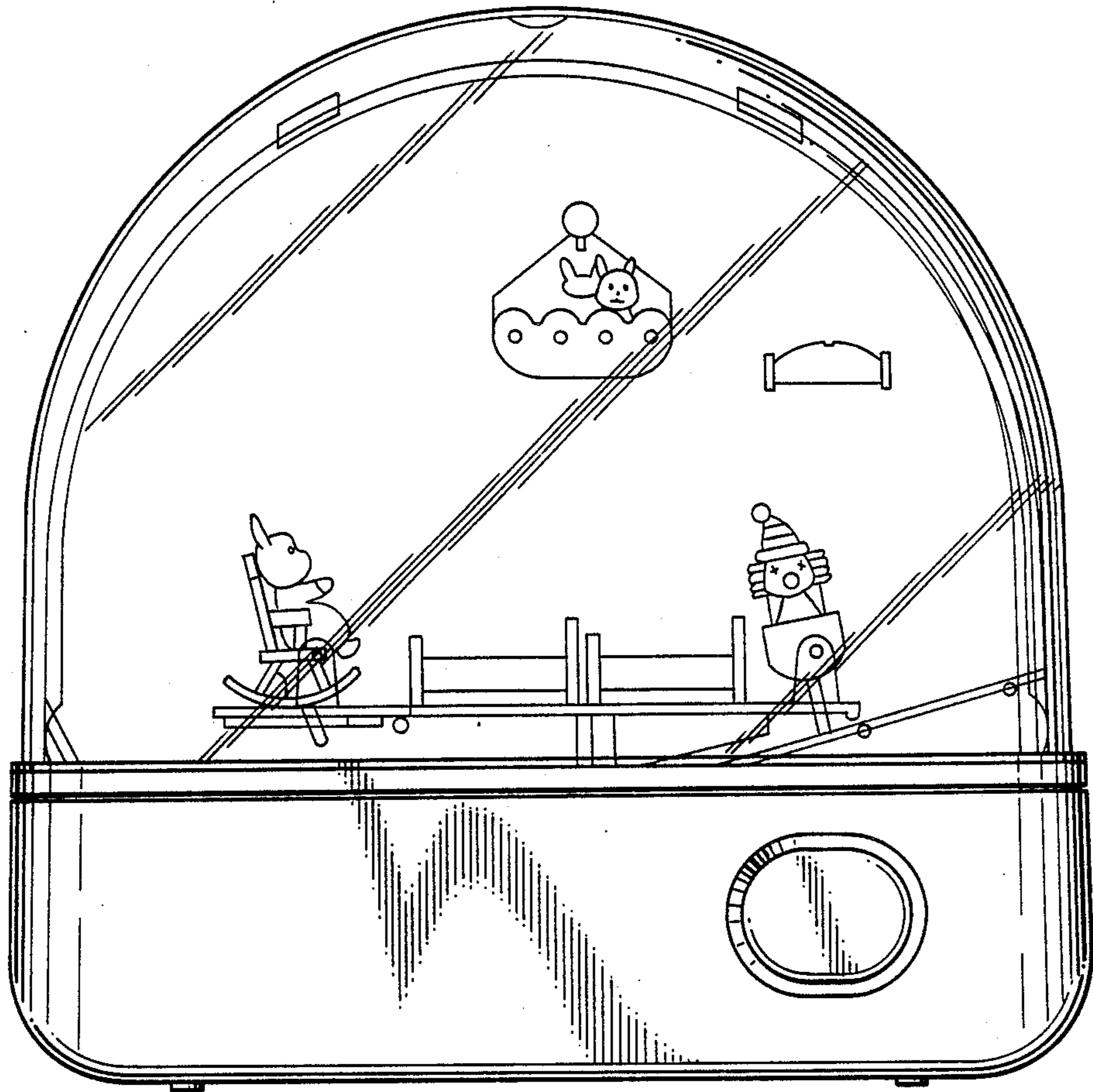


FIG. 2

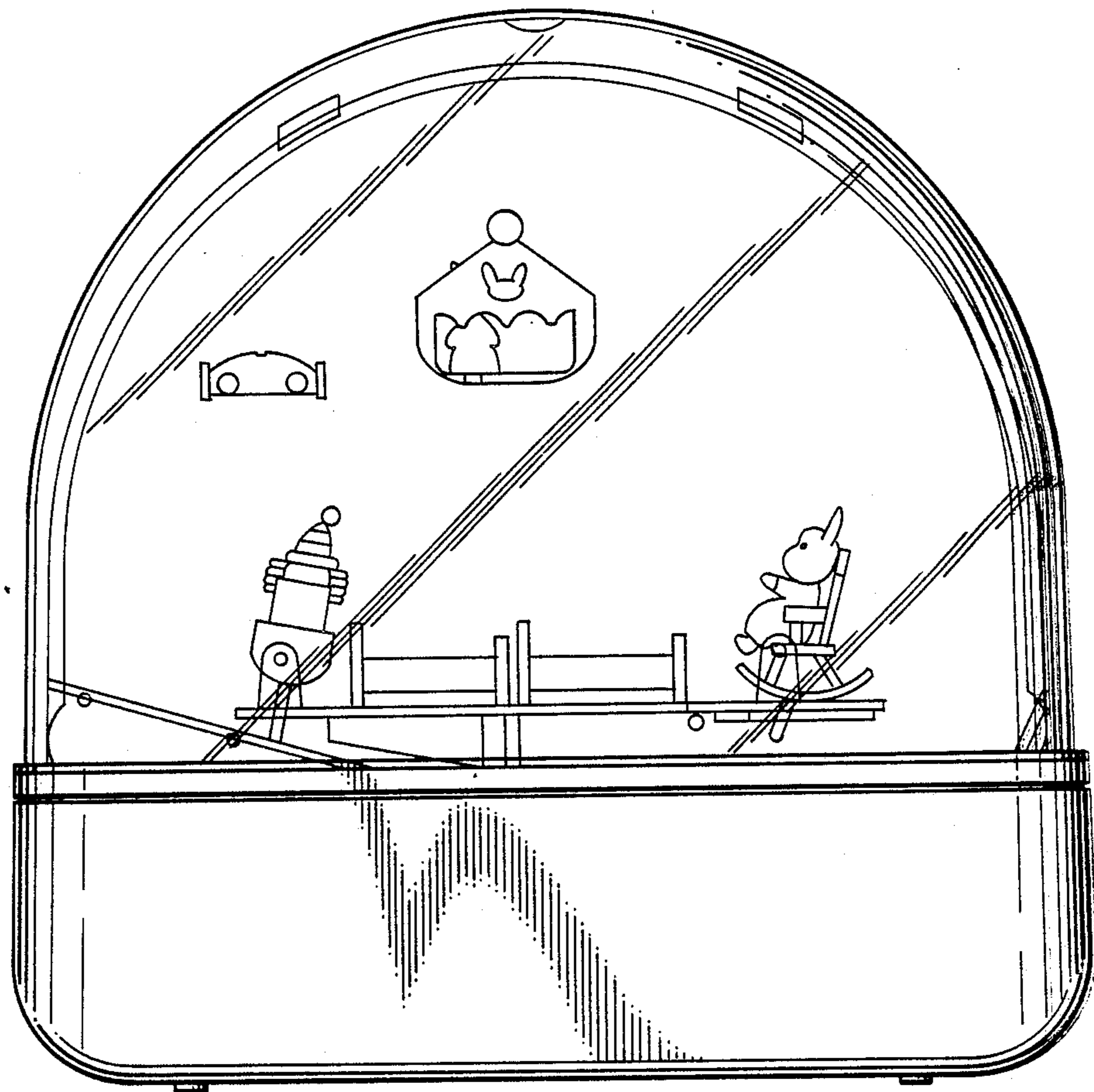


FIG. 3

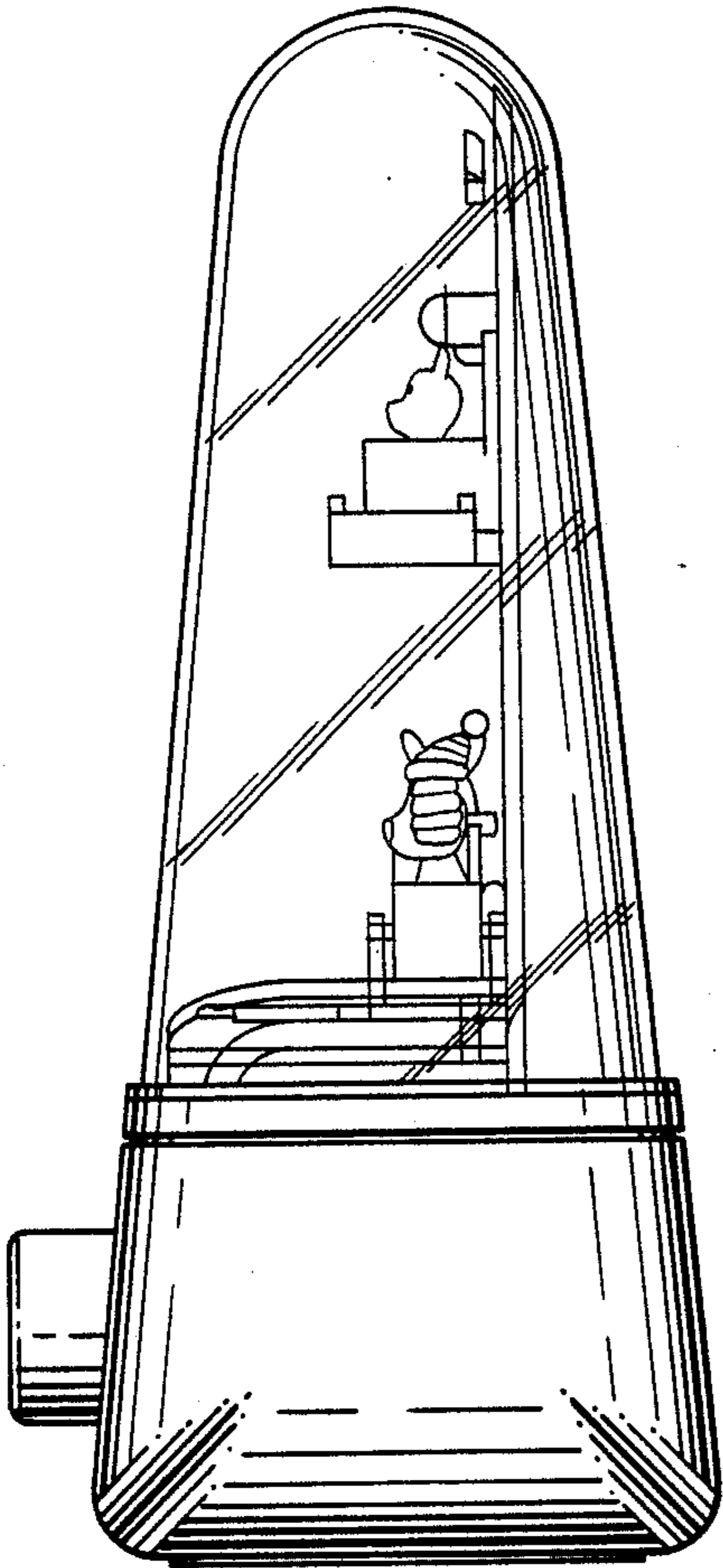


FIG. 4

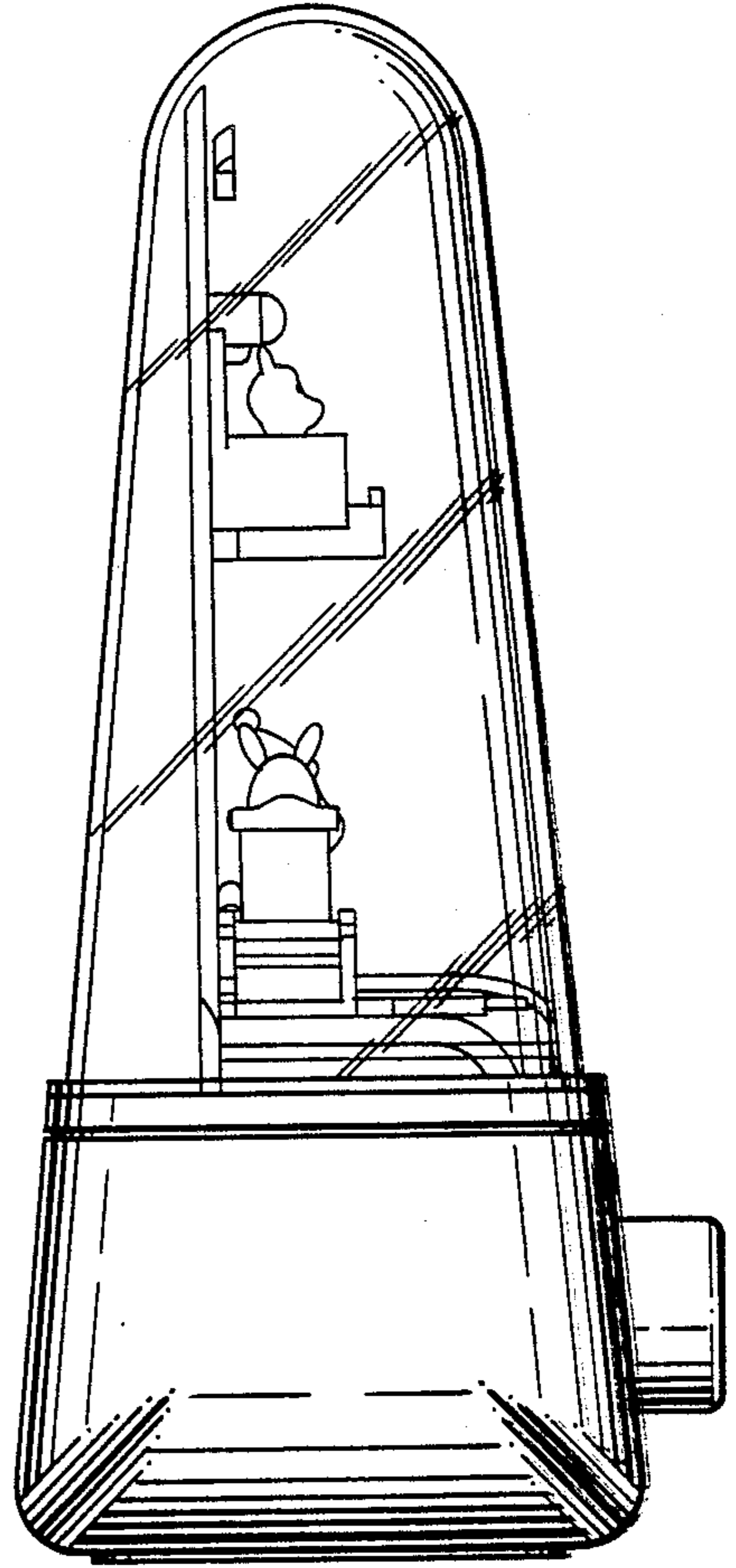


FIG. 5

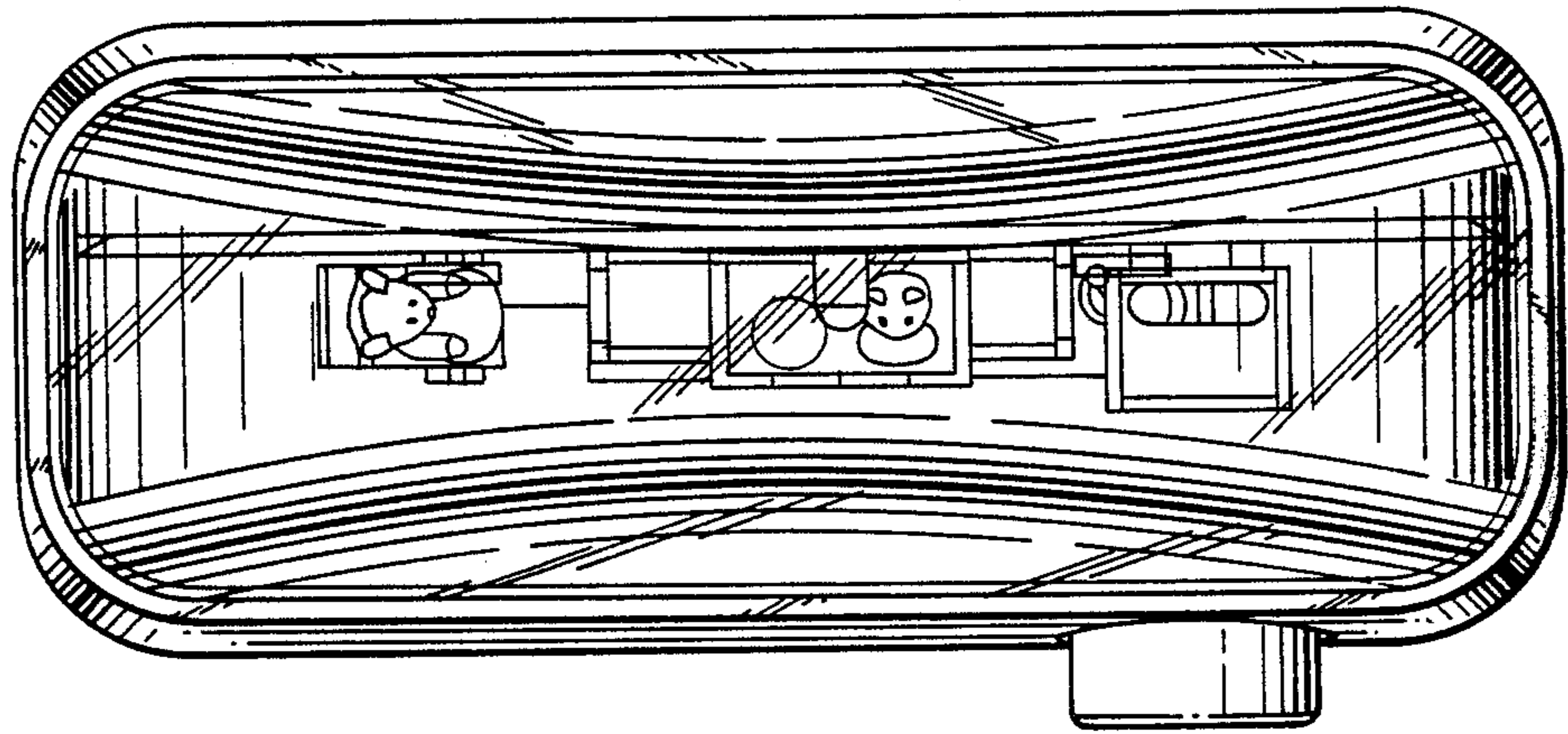


FIG. 6

