

[54] MULTI-PURPOSE DESK ACCESSORY

[76] Inventors: David C. Pugliese, 218 S. Pine, Apt. 206, Arlington Heights, Ill. 60005; Edward P. Pugliese, 1832 Sitka La., Mt. Prospect, Ill. 60056

[**] Term: 14 Years

[21] Appl. No.: 934,476

[22] Filed: Nov. 24, 1986

[52] U.S. Cl. D19/75; D19/76; D19/91; D19/95

[58] Field of Search D19/65, 75, 77, 86, D19/76, 91, 92, 95, 100; 211/126; 206/214

[56] References Cited

U.S. PATENT DOCUMENTS

- D. 266,675 12/1982 Polhemus et al. D19/78 X
- D. 280,741 9/1985 Chatham D19/77
- D. 290,852 7/1987 Wang D19/77

- 4,320,835 3/1982 Polhemus 206/214 X
- 4,807,744 2/1989 Chiou 206/214

Primary Examiner—James R. Largen
Assistant Examiner—Martha Thompson
Attorney, Agent, or Firm—Lee, Mann, Smith, McWilliams & Sweeney

[57] CLAIM

The ornamental design for a multi-purpose desk accessory, as shown and described.

DESCRIPTION

FIG. 1 is a tipped front elevational view, raised 30° with respect to the horizontal, of a multi-purpose desk accessory showing our new design;
FIG. 2 is a top plan view;
FIG. 3 is a front elevational view;
FIG. 4 is a rear elevational view;
FIG. 5 is a left side elevational view;
FIG. 6 is a right side elevational view; and
FIG. 7 is a perspective view taken from above.

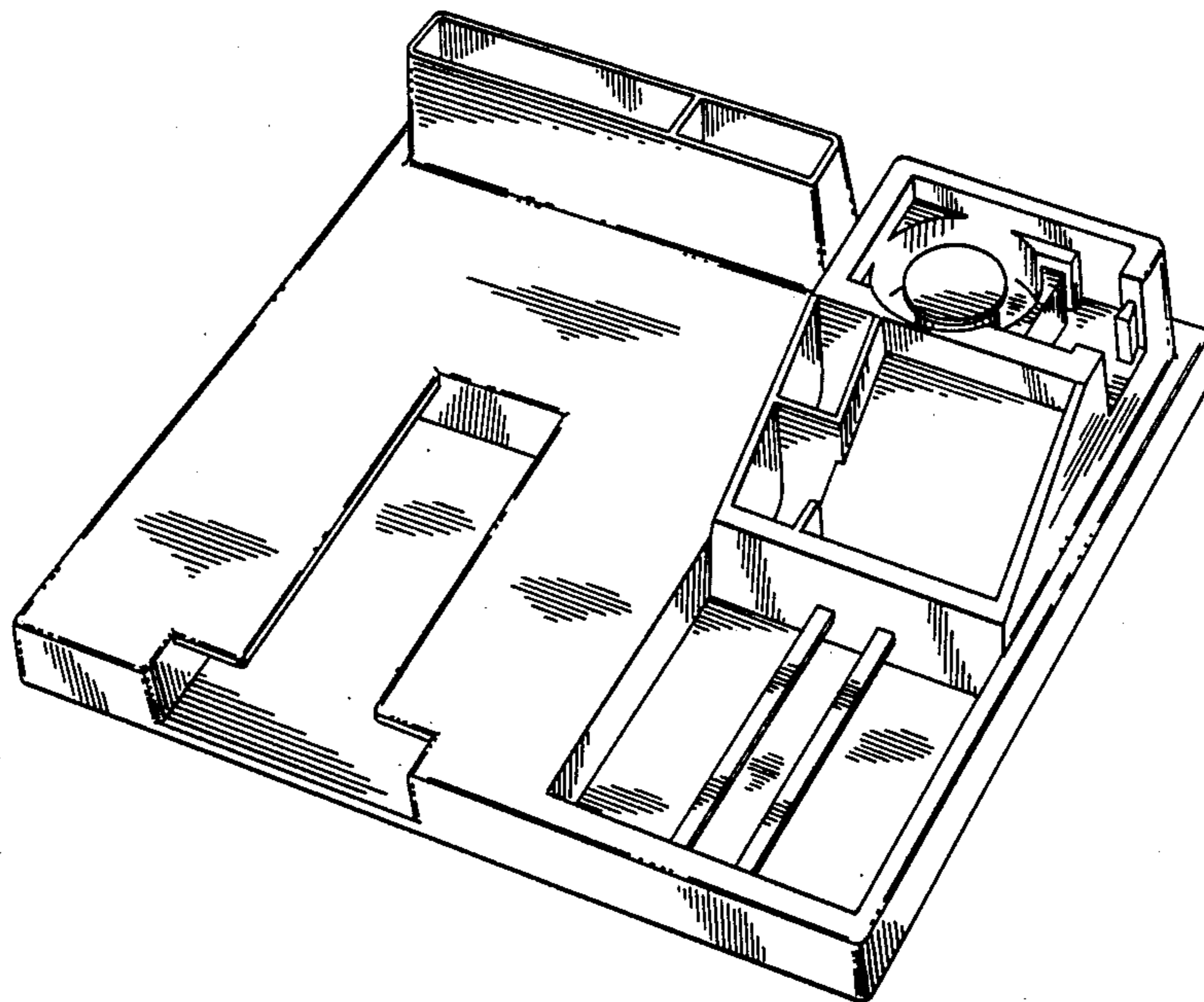


FIG. 1.

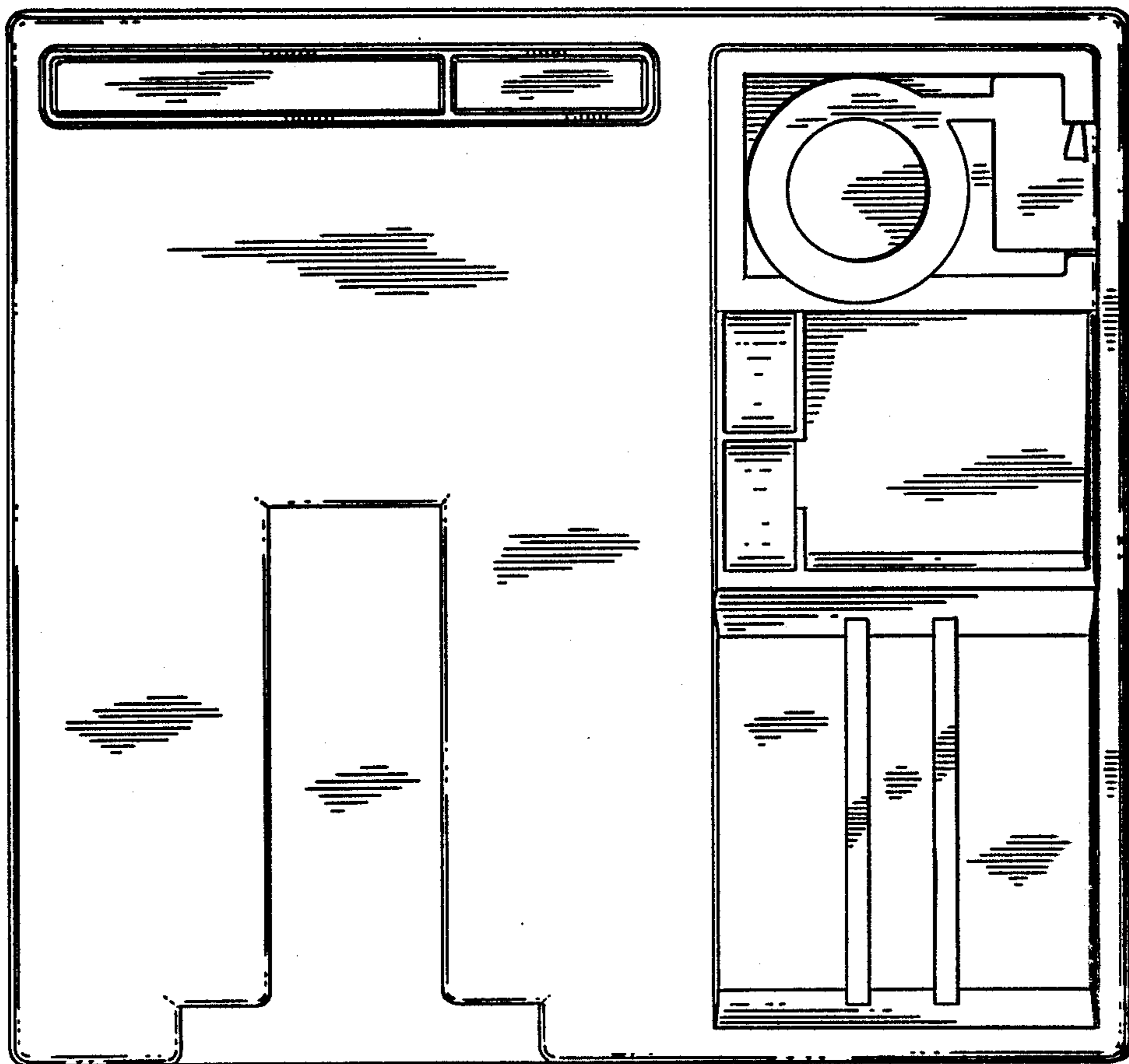
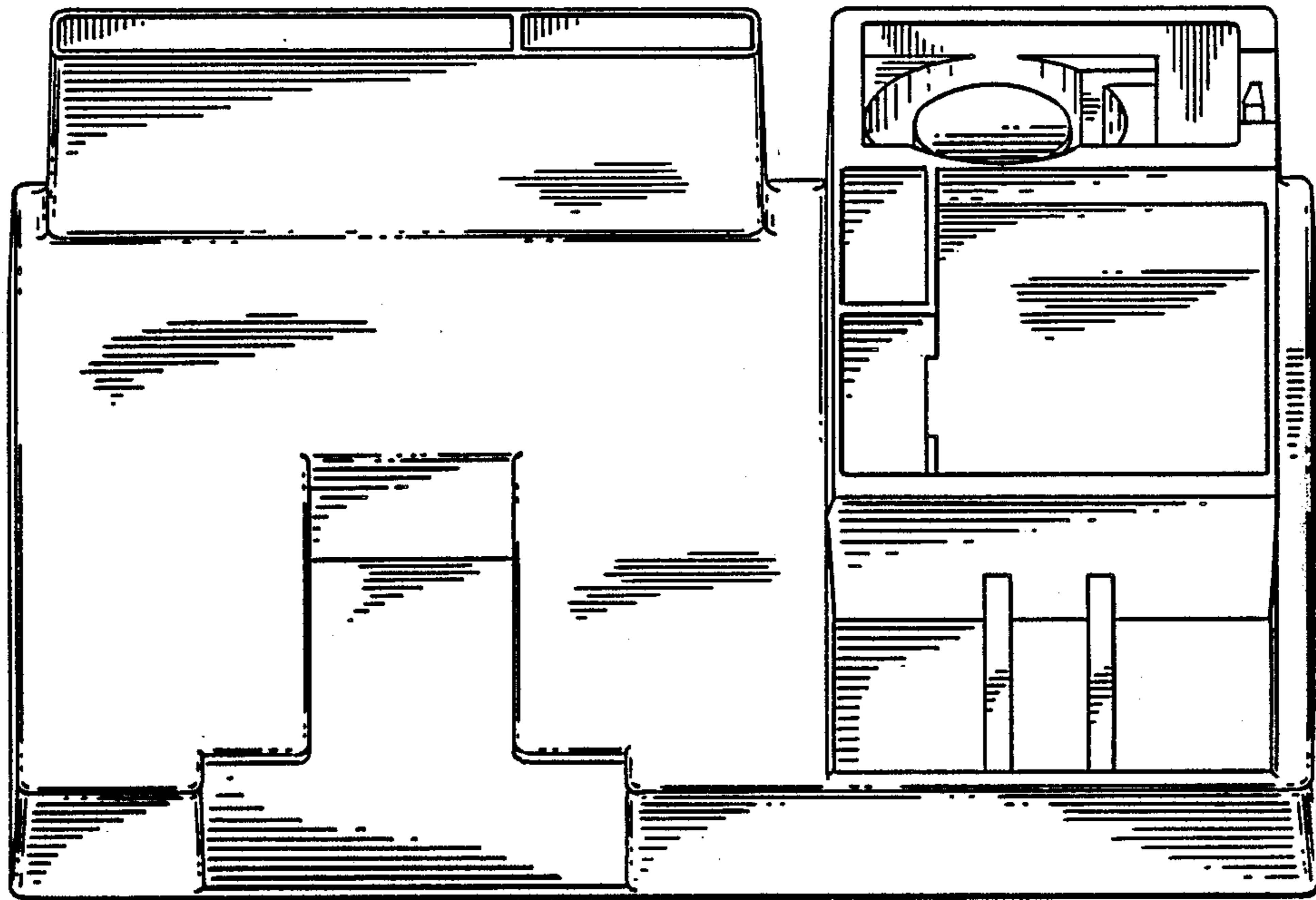


FIG. 2.

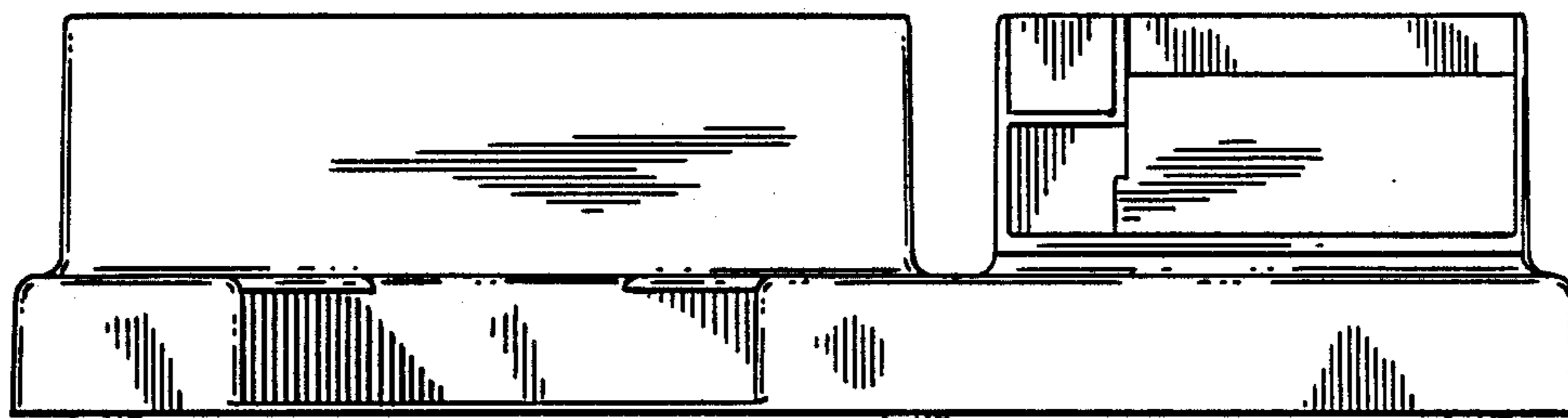


fig. 3.

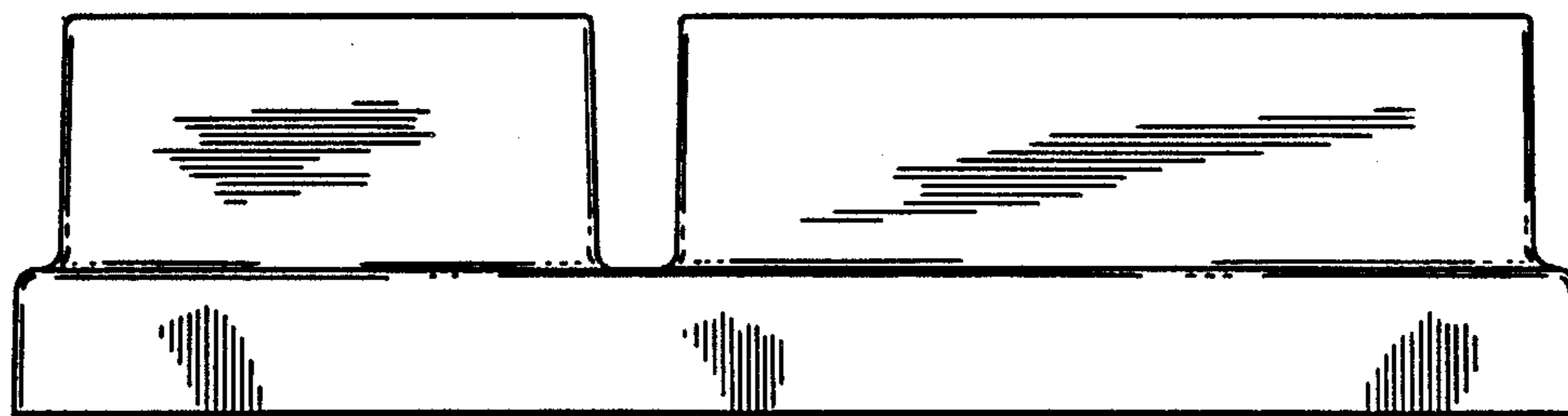


fig. 4.

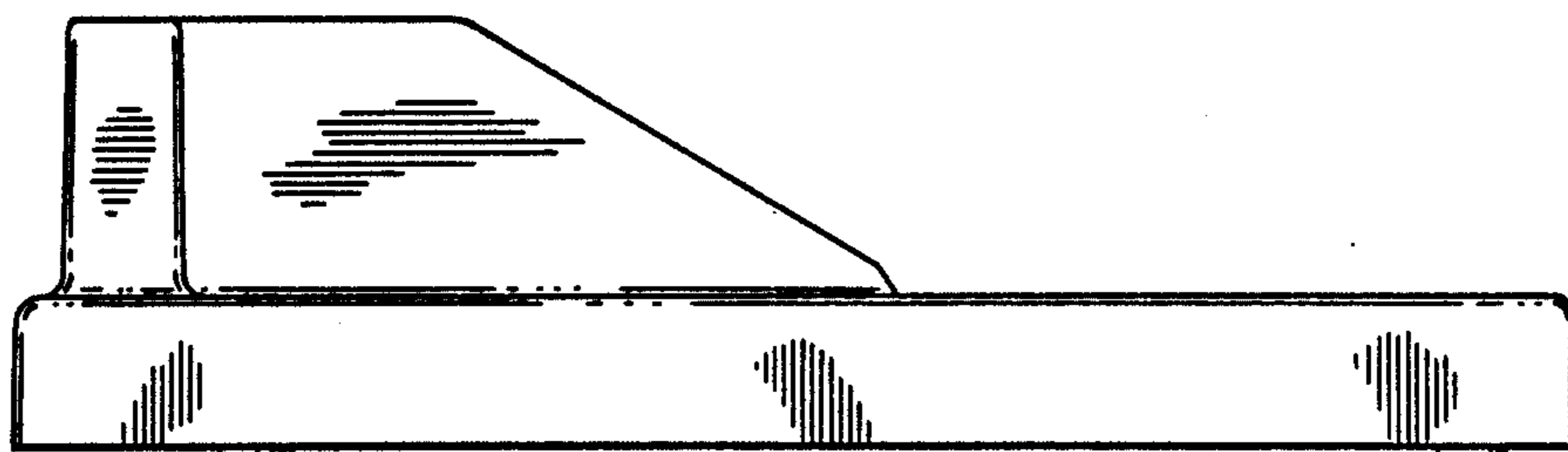


fig. 5.

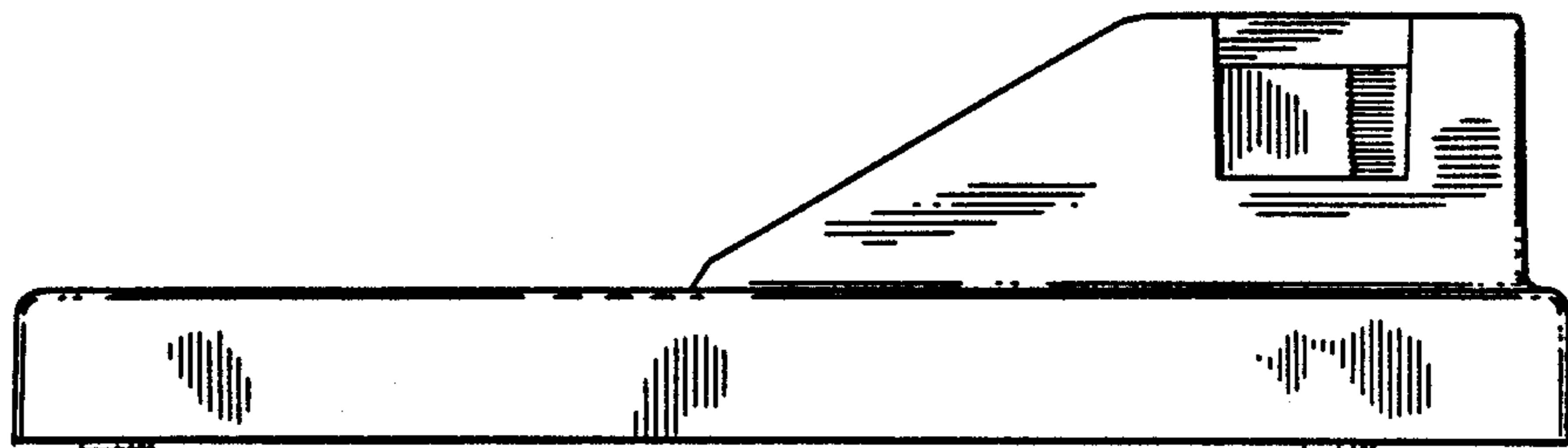


fig. 6.

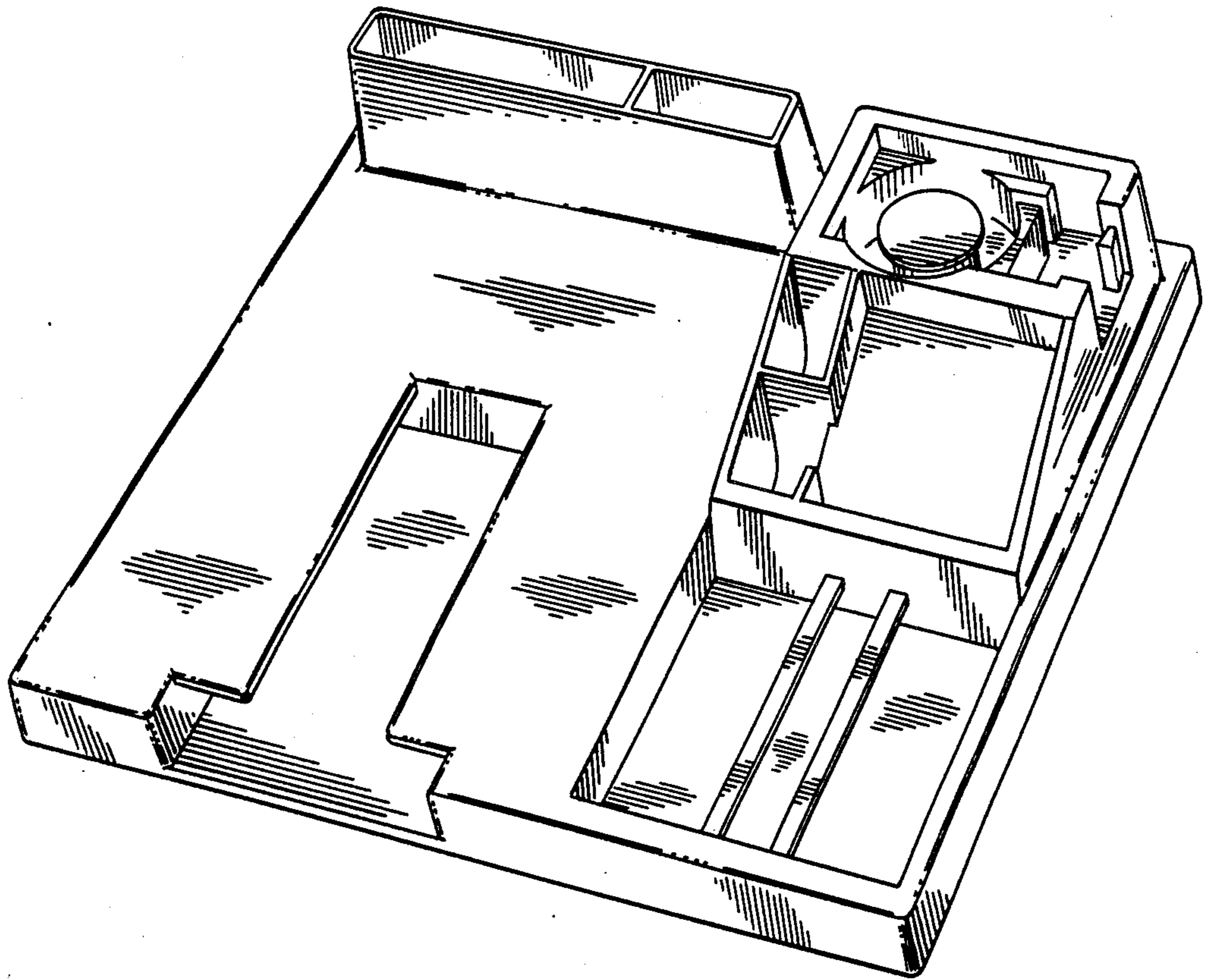


FIG. 7.