

[54] **IMAGING BAFFLE FOR SPLIT IMAGE PRINTS**

[75] **Inventor: Randall E. Hopkins, Houston, Tex.**

[73] **Assignee: Prestige Images, Inc., Houston, Tex.**

[\*\*] **Term: 14 Years**

[21] **Appl. No.: 836,187**

[22] **Filed: Feb. 24, 1986**

[52] **U.S. Cl. .... D16/237; D219/219**

[58] **Field of Search ..... D16/136, 219, 130, 237; 354/103, 104, 122, 295, 287, 354**

[56] **References Cited**

**U.S. PATENT DOCUMENTS**

D. 234,007 12/1974 Ritter ..... 354/122  
1,792,171 2/1931 Kruening ..... D16/134  
2,281,607 5/1942 Thomas ..... 354/103

*Primary Examiner*—Melvin B. Feifer  
*Assistant Examiner*—W. Krawczewicz  
*Attorney, Agent, or Firm*—Kurt S. Myers

[57] **CLAIM**

The ornamental design for an imaging baffle for split image prints, as shown and described.

**DESCRIPTION**

FIG. 1 is a perspective view from the back of an imaging baffle for split image prints showing my new design; FIG. 2 is a perspective view from the front, thereof; FIG. 3 is a side view thereof; and FIG. 4 is a front view, thereof.

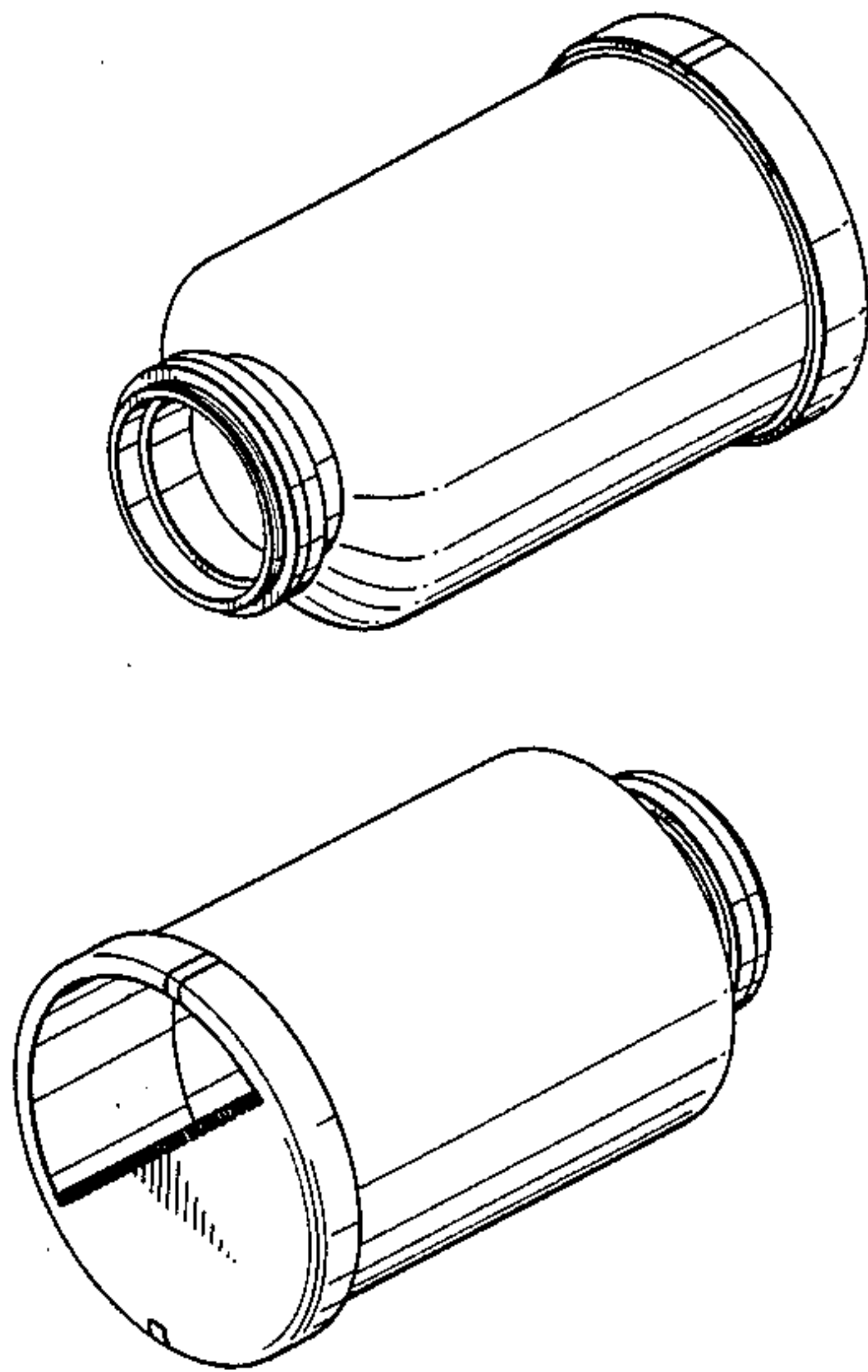


FIG. 1

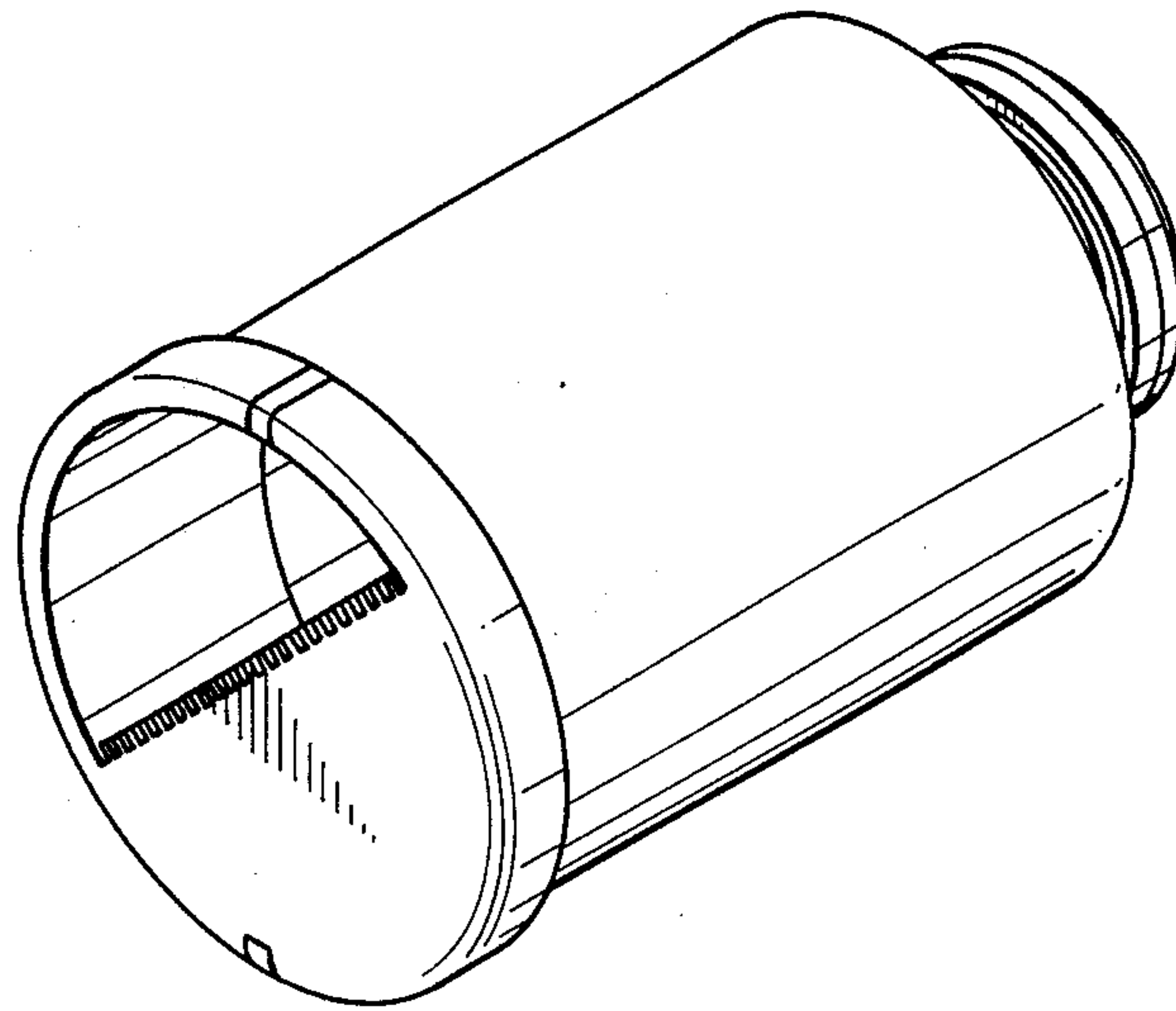
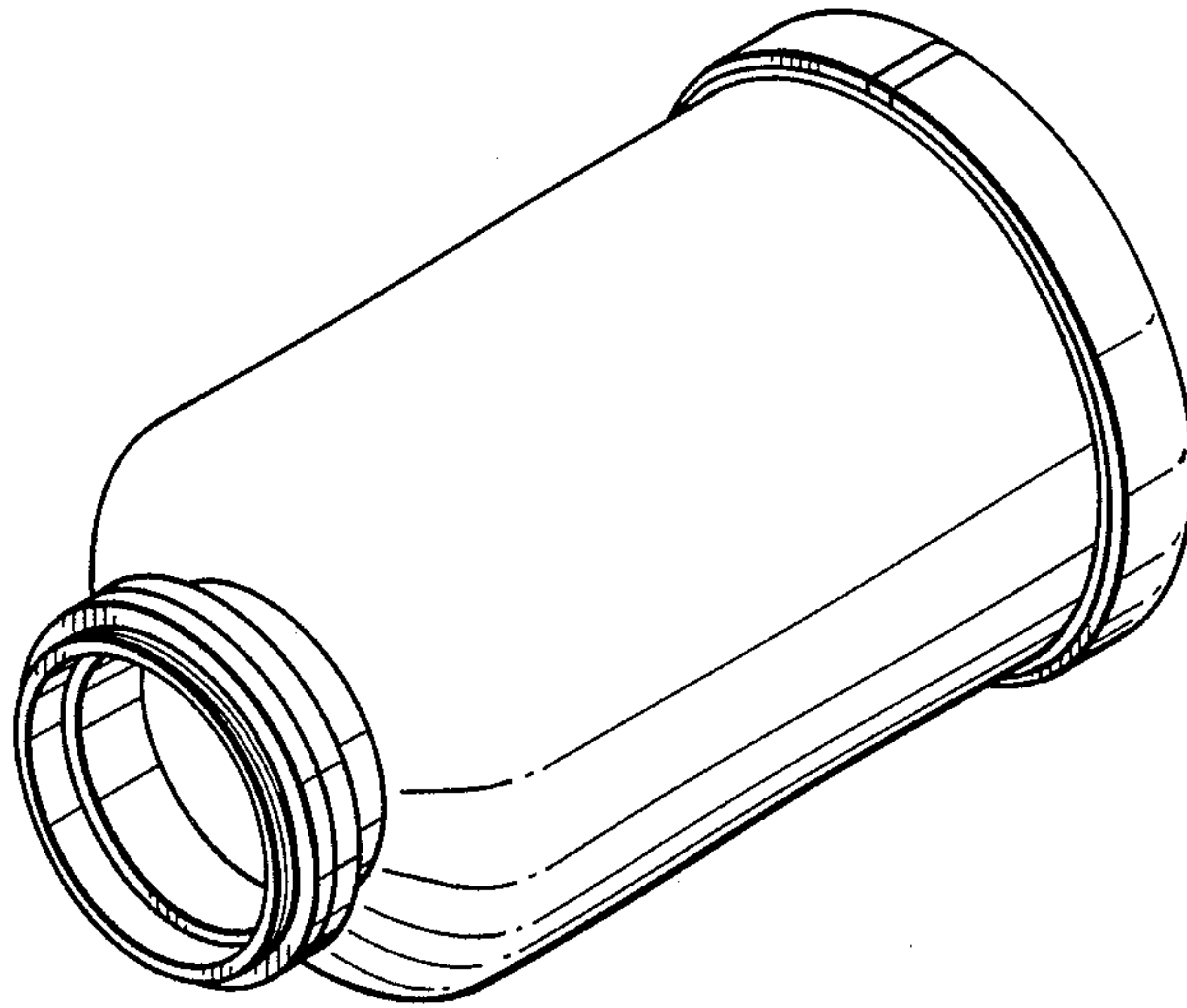


FIG. 2

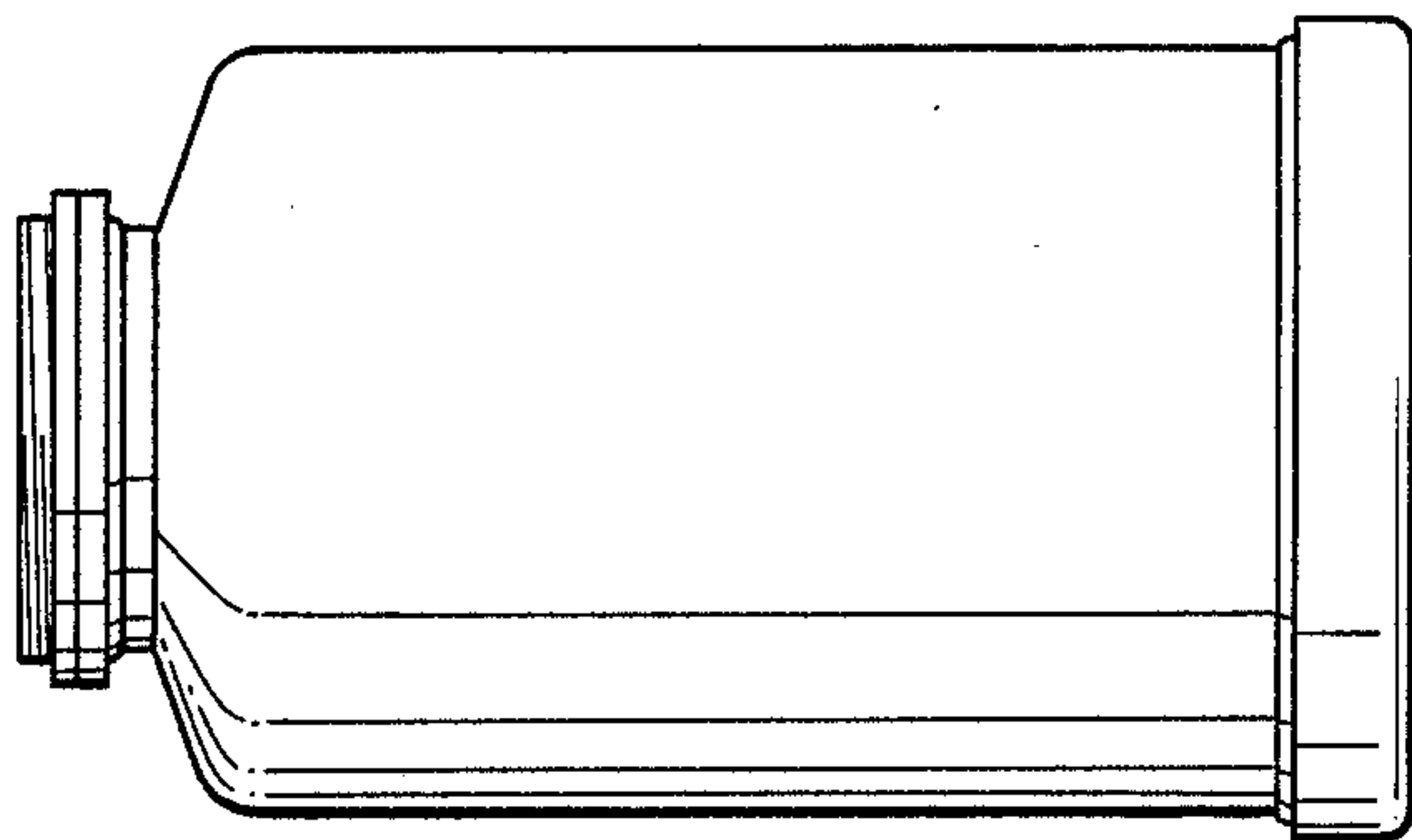


FIG. 3

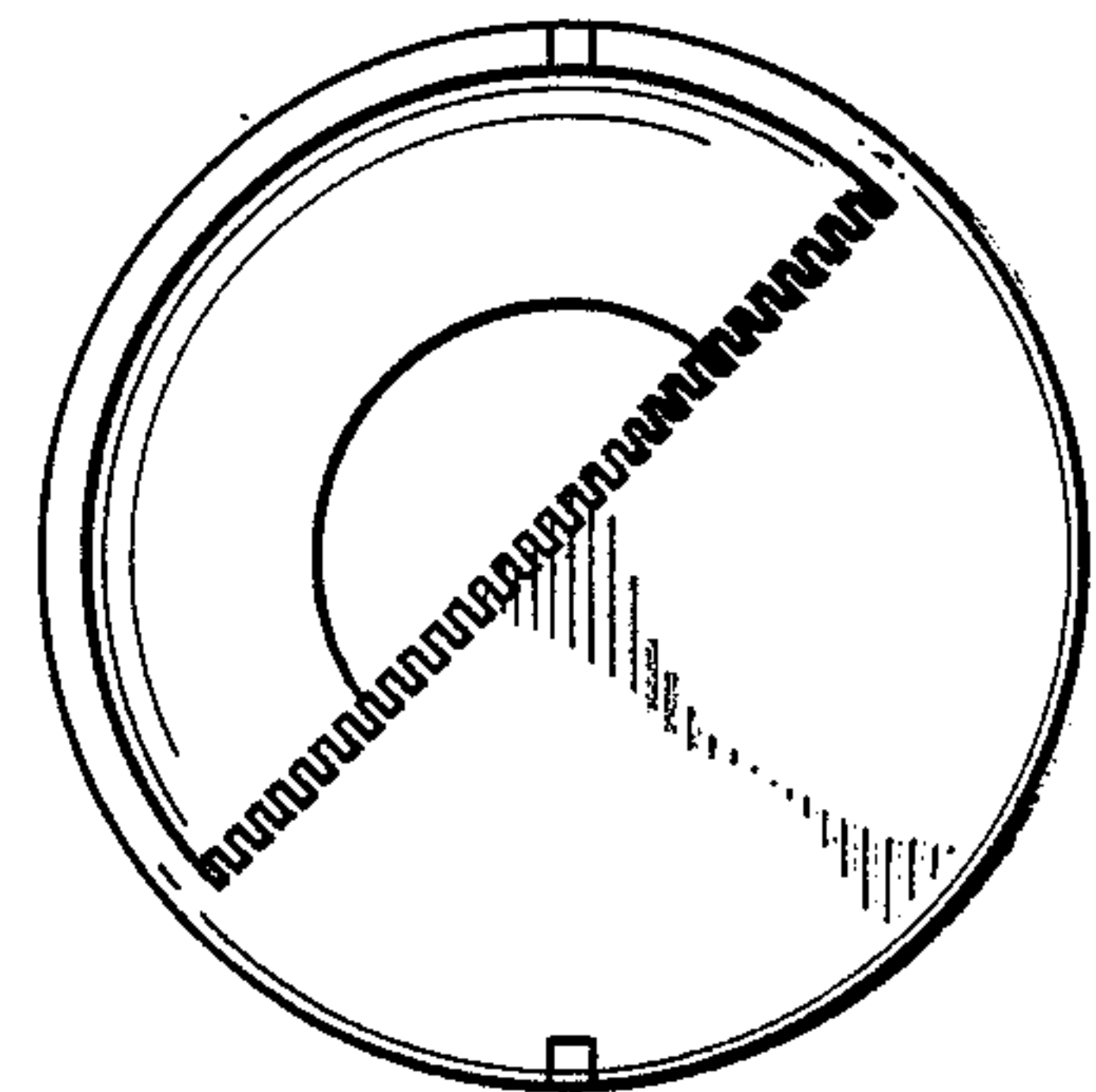


FIG. 4