

United States Patent [19]

Ganter

[11] Patent Number: **Des. 305,544**

[45] Date of Patent: **** Jan. 16, 1990**

[54] **CRANK HANDLE FOR LATHES OR THE LIKE**

[76] Inventor: **Bernhard Ganter**, Tribergstrasse 3, Furtwangen, Fed. Rep. of Germany, 7743

[**] Term: **14 Years**

[21] Appl. No.: **1,552**

[22] Filed: **Jan. 8, 1987**

[52] U.S. Cl. **D15/142; D8/309**

[58] Field of Search **D8/300, 307, 308, 309; D15/130, 142; 74/543, 545; 16/110 R, 114 R, 121**

[56] **References Cited**

U.S. PATENT DOCUMENTS

D. 94,073 12/1934 Chapman D15/142

D. 251,566 4/1979 Moen D15/142
D. 292,550 11/1987 Jackson D8/309
4,083,264 4/1978 Van Klompenburg 16/121
4,674,355 6/1987 Klein 74/543

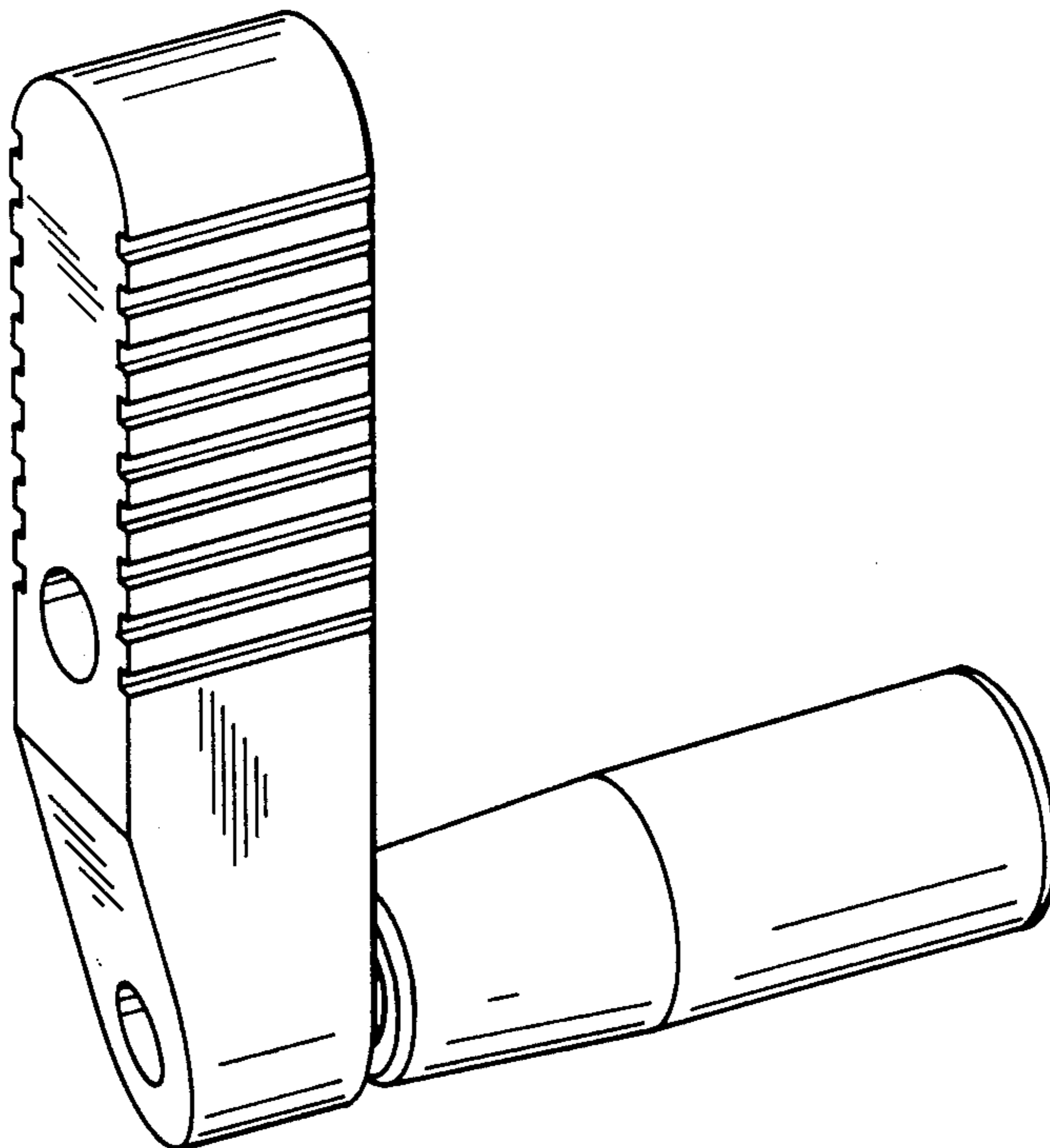
Primary Examiner—B. J. Bullock
Attorney, Agent, or Firm—Darby & Darby

[57] **CLAIM**

The ornamental design for a crank handle for lathes or the like, as shown and described.

DESCRIPTION

FIG. 1 is a perspective view of a crank handle for lathes or the like showing my new design;
FIG. 2 is a front view thereof, the rear being a mirror image;
FIG. 3 is a left side view thereof;
FIG. 4 is a right side view thereof;
FIG. 5 is a top view thereof;
FIG. 6 is a bottom plan view thereof.



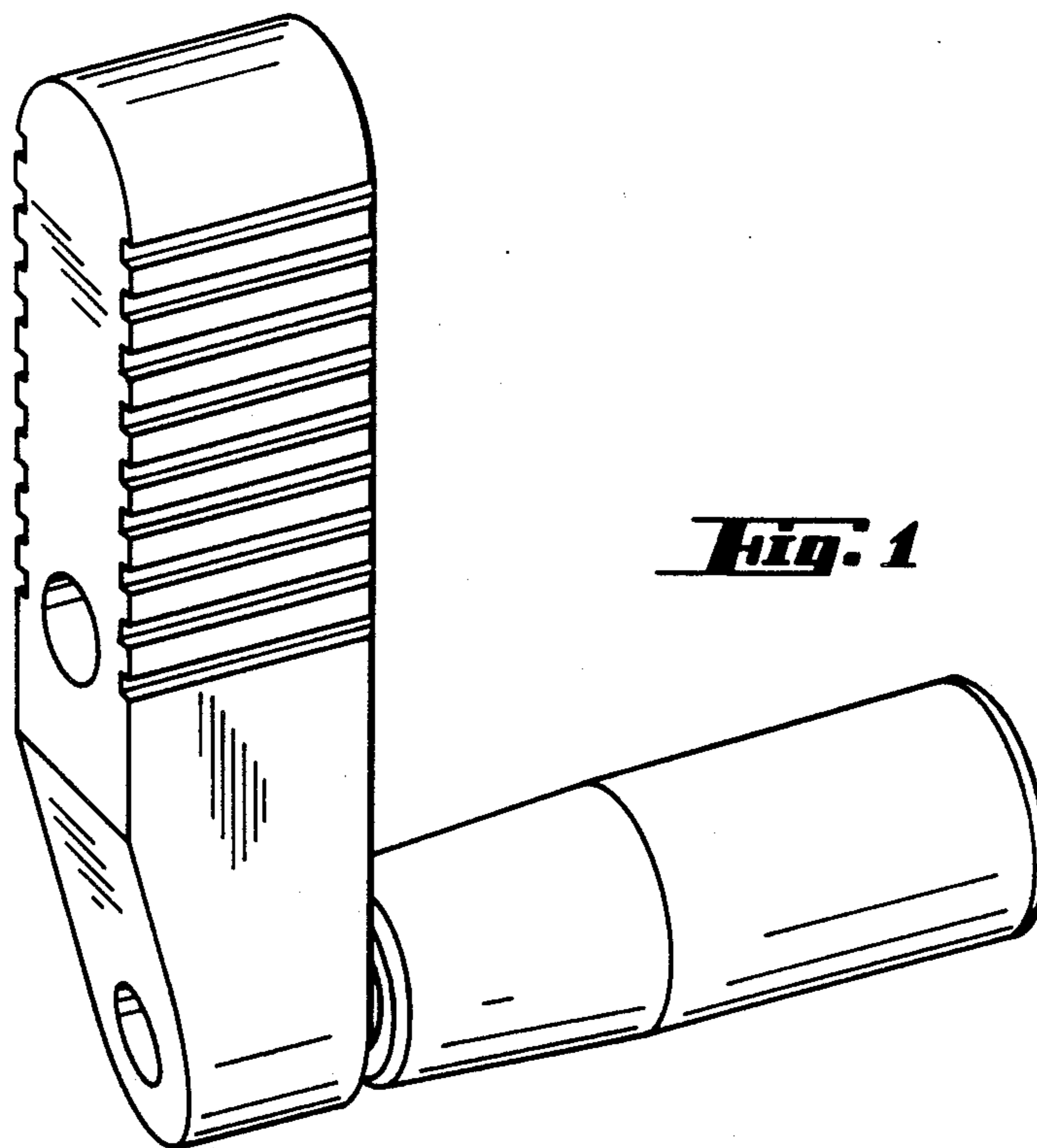


Fig. 1

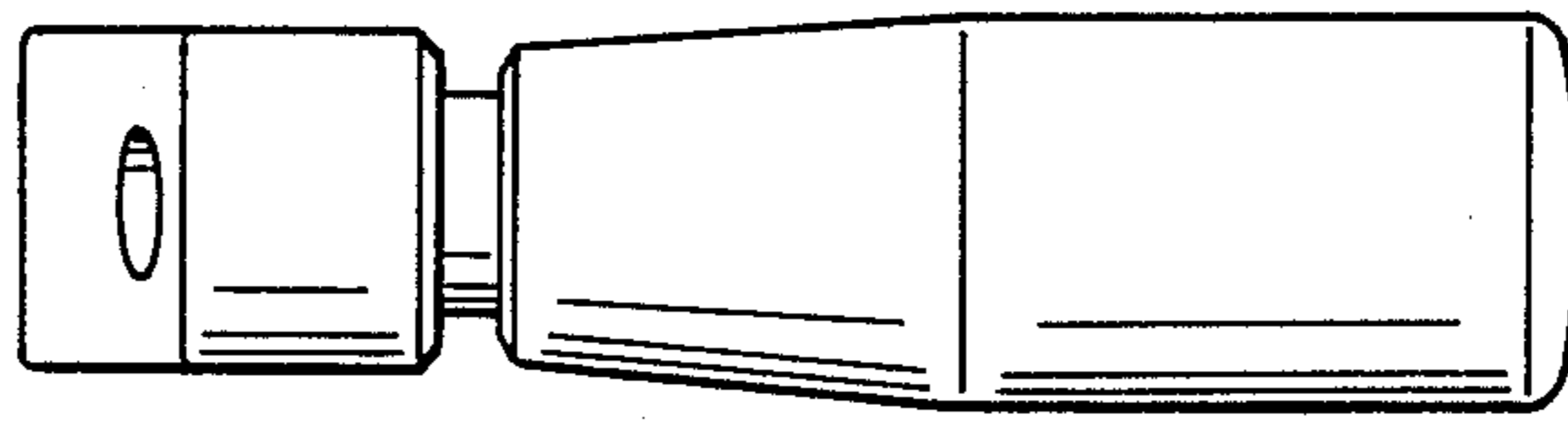


Fig. 5

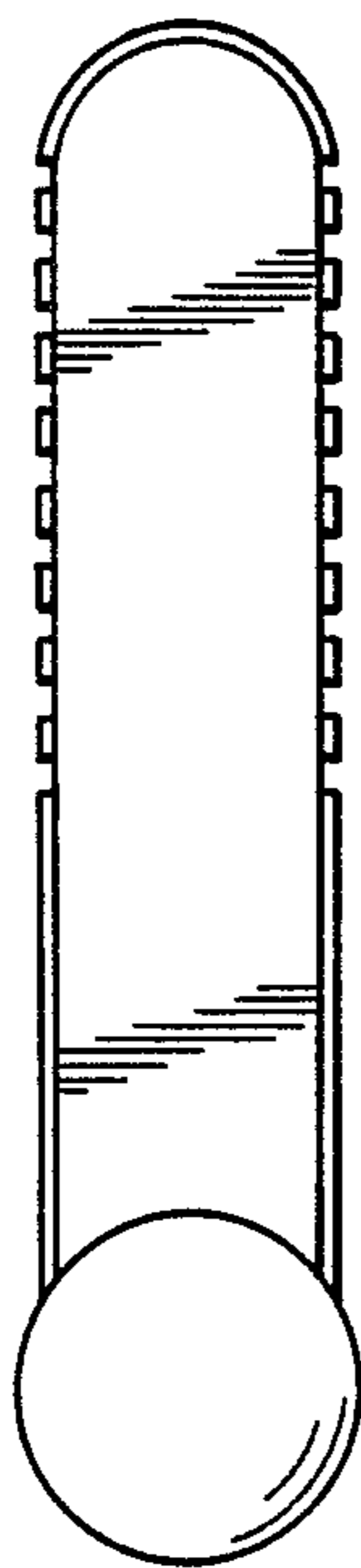


Fig. 4

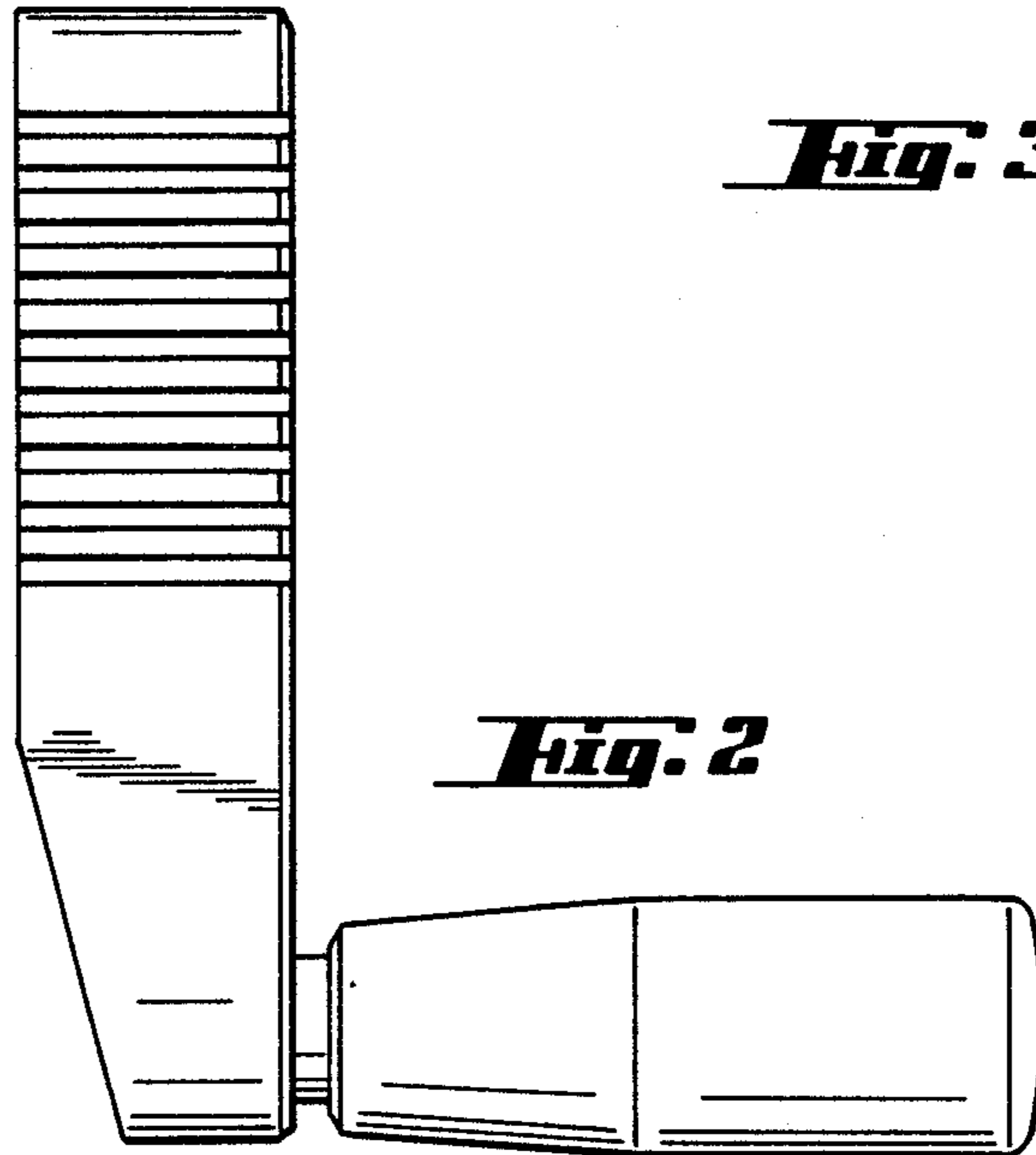


Fig. 2

Fig. 3

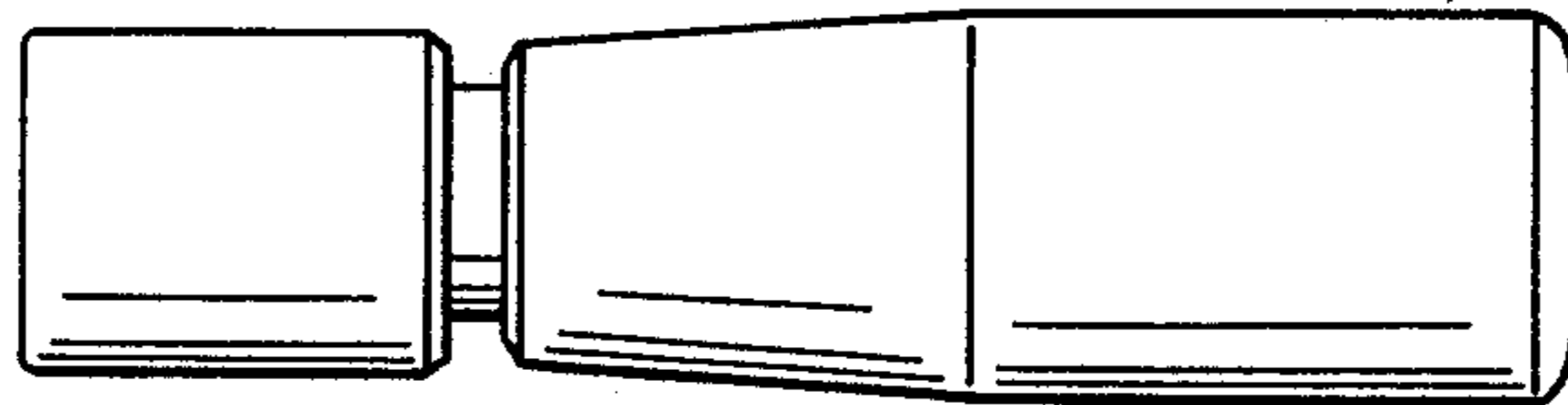
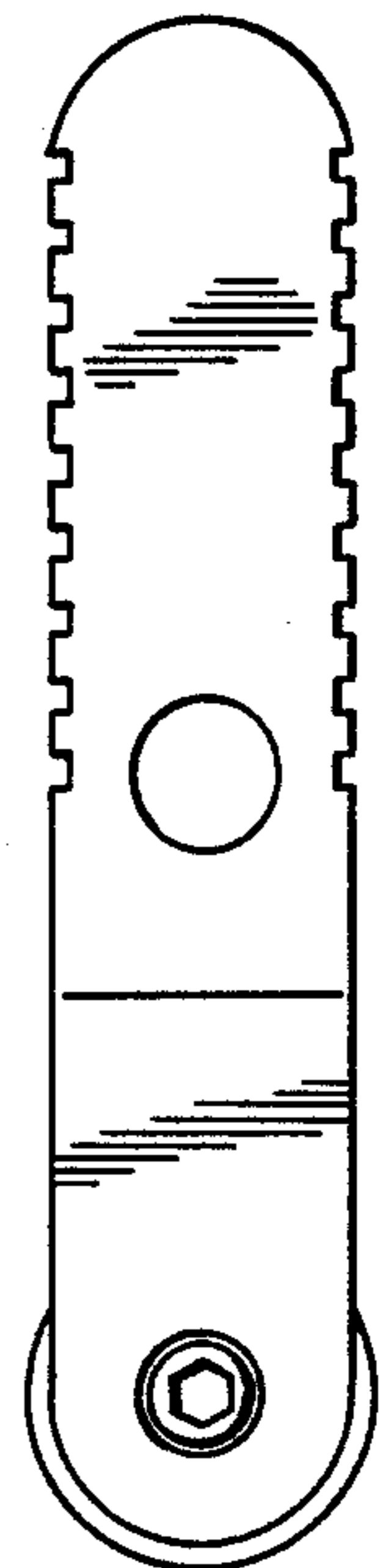


Fig. 6