

United States Patent [19]

Guillemette

[11] Patent Number: **Des. 305,543**

[45] Date of Patent: **** Jan. 16, 1990**

[54] **SUPPORT BASE FOR USE IN AUTOMATED PRODUCTION**

[76] Inventor: **A. Roger Guillemette, 37 Fairview Ave., West Warwick, R.I. 02893**

[**] Term: **14 Years**

[21] Appl. No.: **2,701**

[22] Filed: **Jan. 5, 1987**

[52] U.S. Cl. **D15/140; D15/141; D15/199**

[58] Field of Search **D15/141, 199; D6/442, D6/449, 455, 480, 484, 488; 248/678, 676; 269/909**

[56] **References Cited**

U.S. PATENT DOCUMENTS

D. 99,607 5/1936 Scurlock D6/442

3,713,620 1/1973 Tkach 248/678
3,762,789 10/1973 Robertson D6/442 X
4,577,828 3/1986 Drucker et al. 248/678

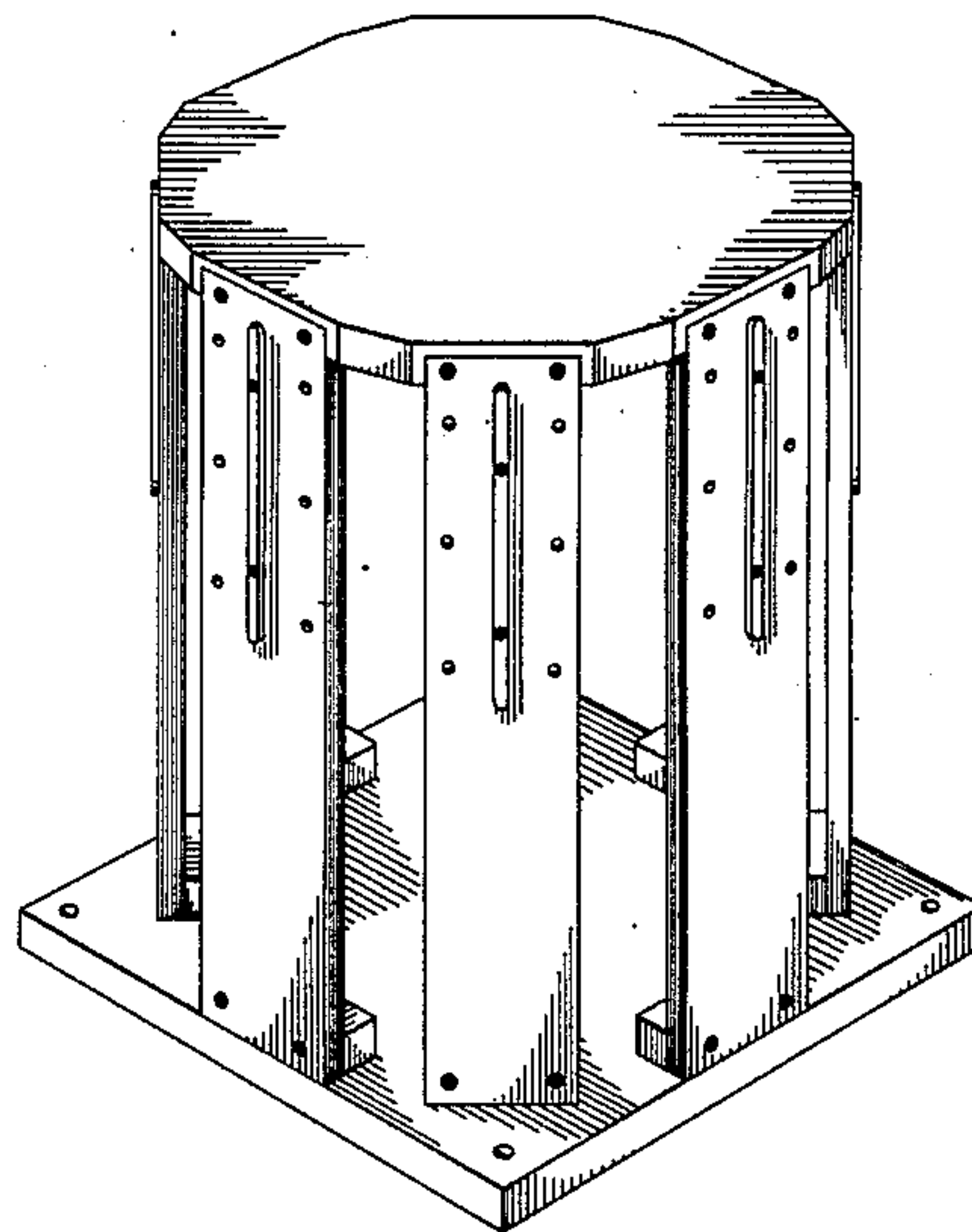
Primary Examiner—Bruce W. Dunkins
Assistant Examiner—Jeffrey Asch
Attorney, Agent, or Firm—Salter & Michaelson

[57] **CLAIM**

The ornamental design for a support base for use in automated production, as shown and described.

DESCRIPTION

FIG. 1 is a perspective view of a support base for use in automated production showing my new design; FIG. 2 is a side elevational view thereof; FIG. 3 is a top plan view of the base assembly; and FIG. 4 is a bottom plan view thereof. The undisclosed vertical panels are the same in appearance as those disclosed in FIGS. 1 and 2.



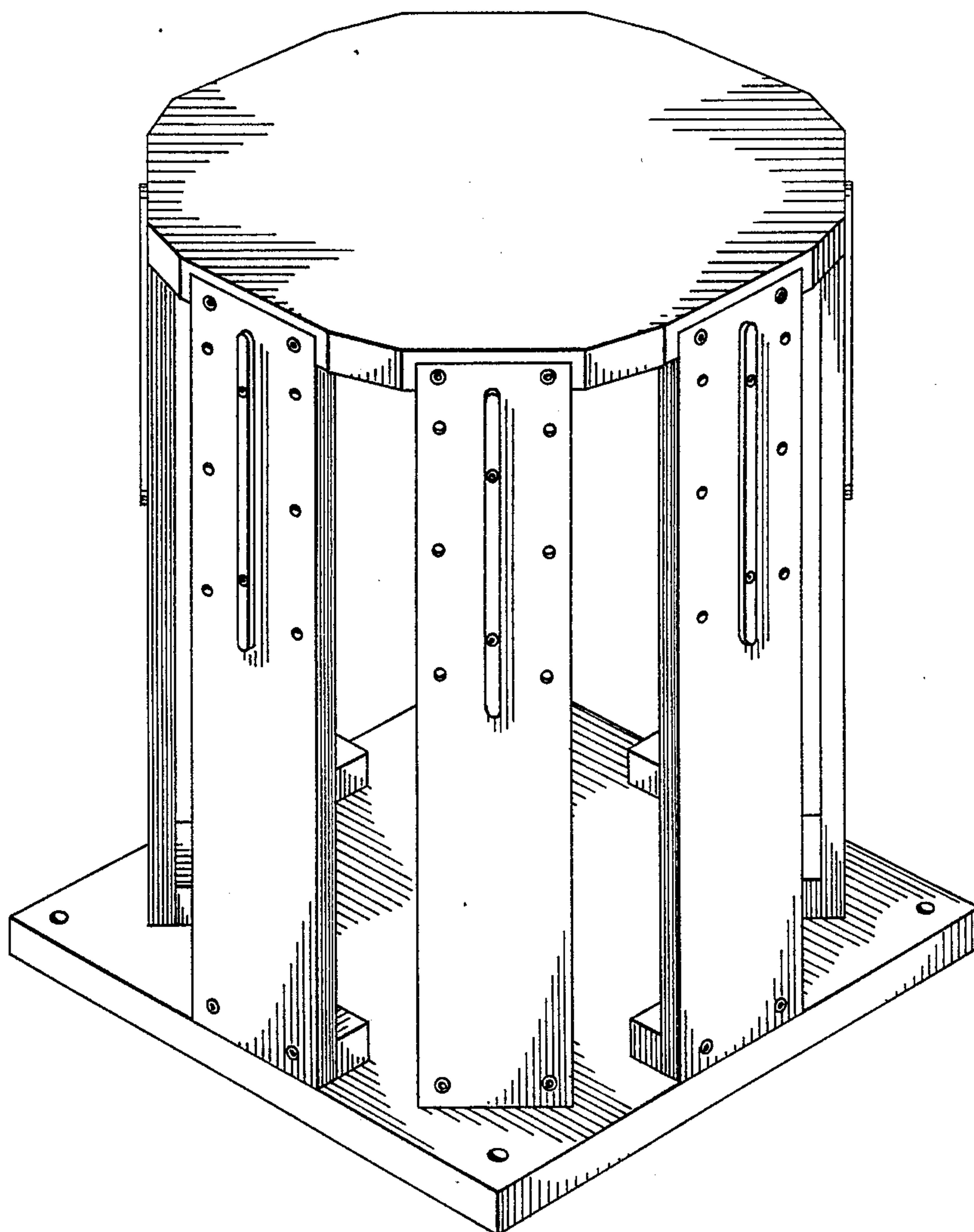


FIG. 1

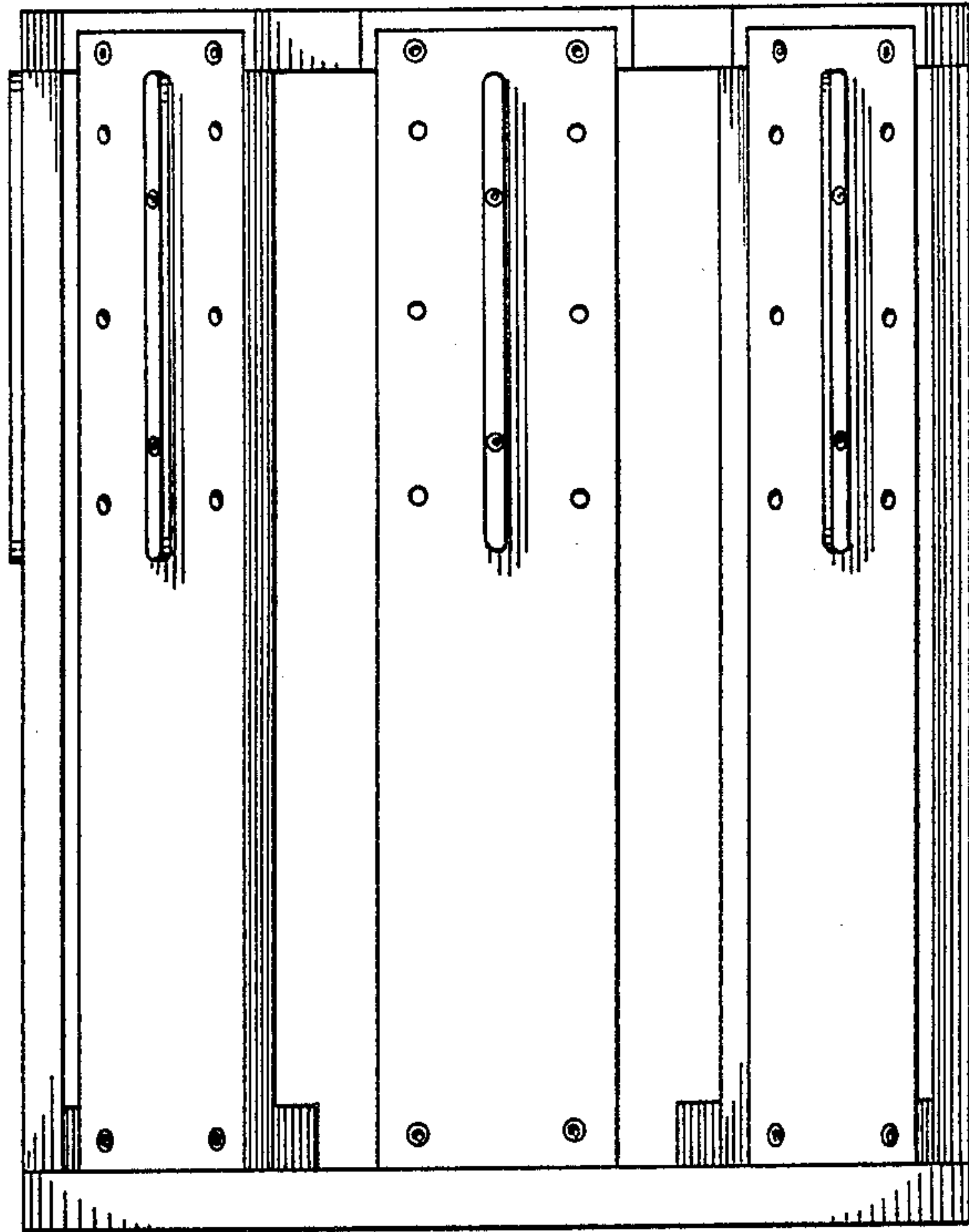


FIG. 2

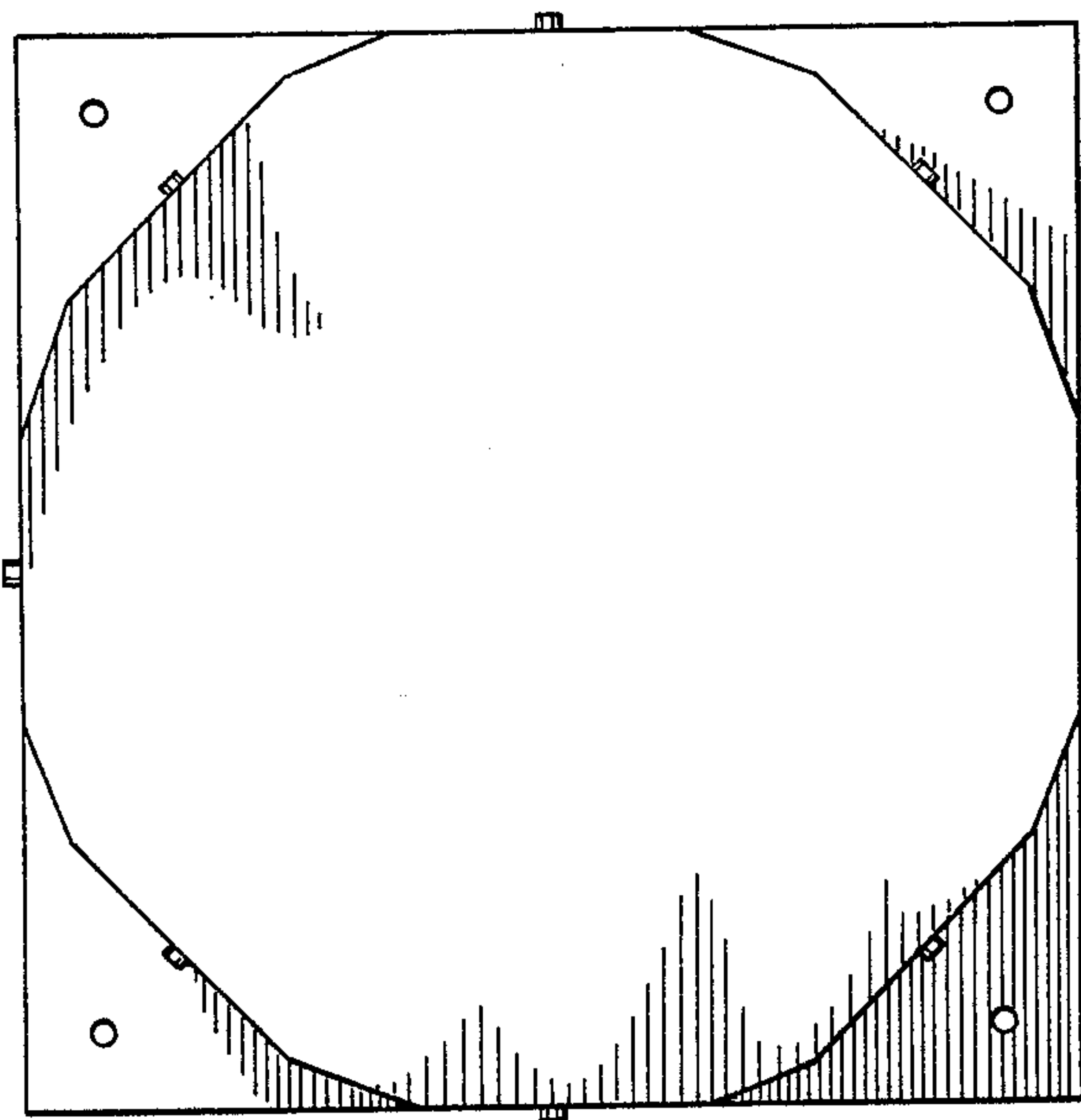


FIG. 3

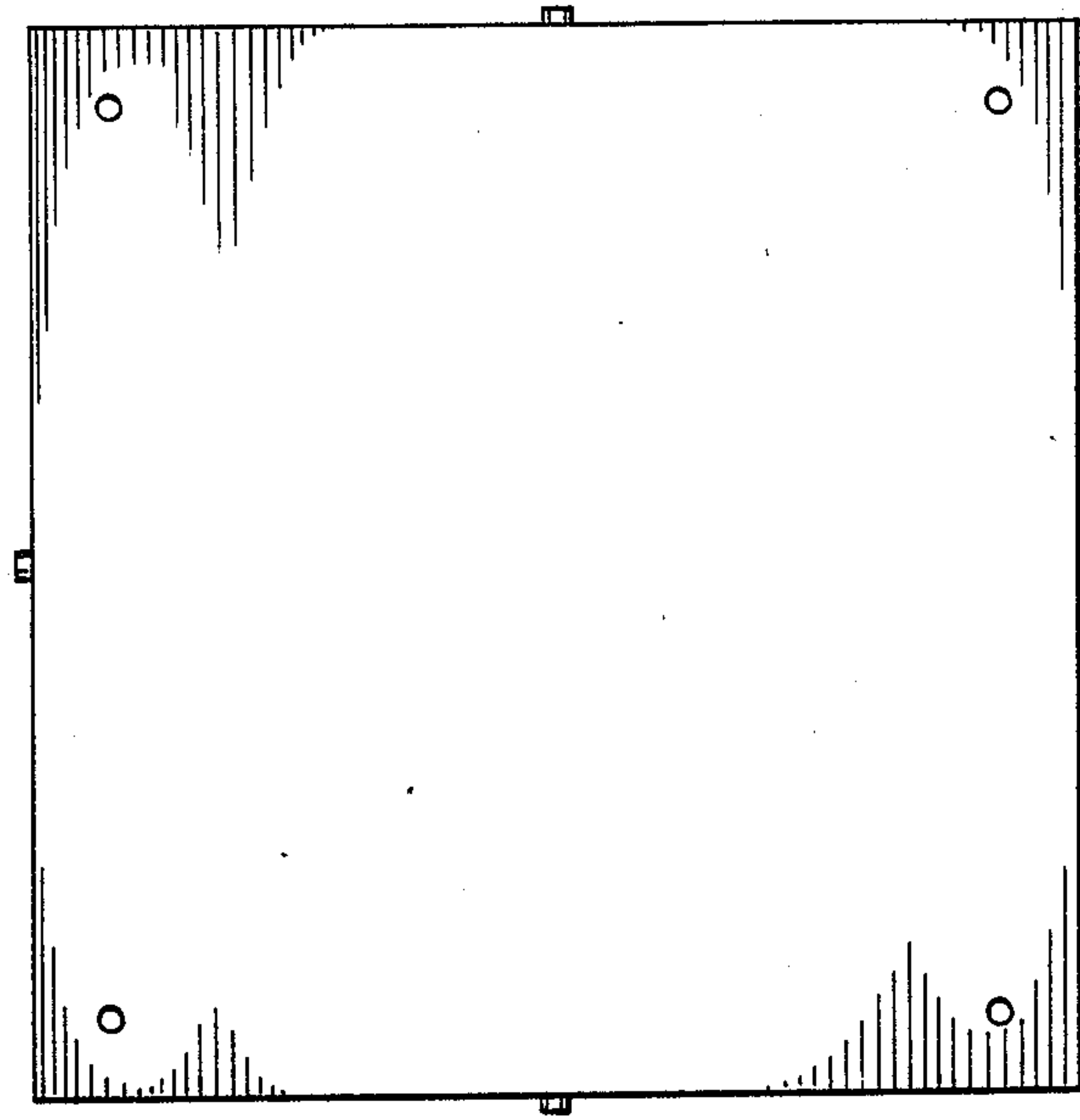


FIG. 4