

United States Patent [19]

Miyamoto et al.

[11] Patent Number: **Des. 305,542**

[45] Date of Patent: **** Jan. 16, 1990**

[54] **ELECTRIC MITER SAW**

4,537,105 8/1985 Bergler 83/581 X

[75] Inventors: **Kouichi Miyamoto; Tomoshige Dehari**, both of Hiroshima; **Kiyoshi Hoshino**, Tokyo, all of Japan

[73] Assignee: **Ryobi Ltd.**, Hiroshima, Japan

[**] Term: **14 Years**

[21] Appl. No.: **43,137**

[22] Filed: **Apr. 27, 1987**

[30] **Foreign Application Priority Data**

Oct. 27, 1986 [JP] Japan 61-42748

[52] U.S. Cl. **D15/133; D8/66; D8/71**

[58] Field of Search D8/61, 62, 64, 66, 71; 83/473, 490; 30/388, 390, 391; D15/127, 133

[56] **References Cited**

U.S. PATENT DOCUMENTS

- D. 282,346 1/1986 Pioch D8/66
- D. 295,823 5/1988 Brickner, Jr. et al. D8/71 X
- 4,527,453 7/1985 Van Hauten 83/581 X

OTHER PUBLICATIONS

Black & Decker Power Tools and Accessories catalog, ©1985, p. 112, top panel, miter saw #3091.

Black & Decker Industrial/Construction Div. cat., ©1982, p. 27, lower panel, miter box #3090.

Primary Examiner—Winifred E. Herrmann

Assistant Examiner—John Warchol

Attorney, Agent, or Firm—Sughrue, Mion, Zinn, Macpeak & Seas

[57] **CLAIM**

The ornamental design for an electric miter saw, as shown.

DESCRIPTION

FIG. 1 is a front, top and left side perspective view of an electric miter saw showing our new design; FIG. 2 is a front elevational view thereof; FIG. 3 is a rear elevational view thereof; FIG. 4 is a top plan view thereof; FIG. 5 is a bottom plan view thereof; FIG. 6 is a left side elevational view thereof; and FIG. 7 is a right side elevational view thereof.

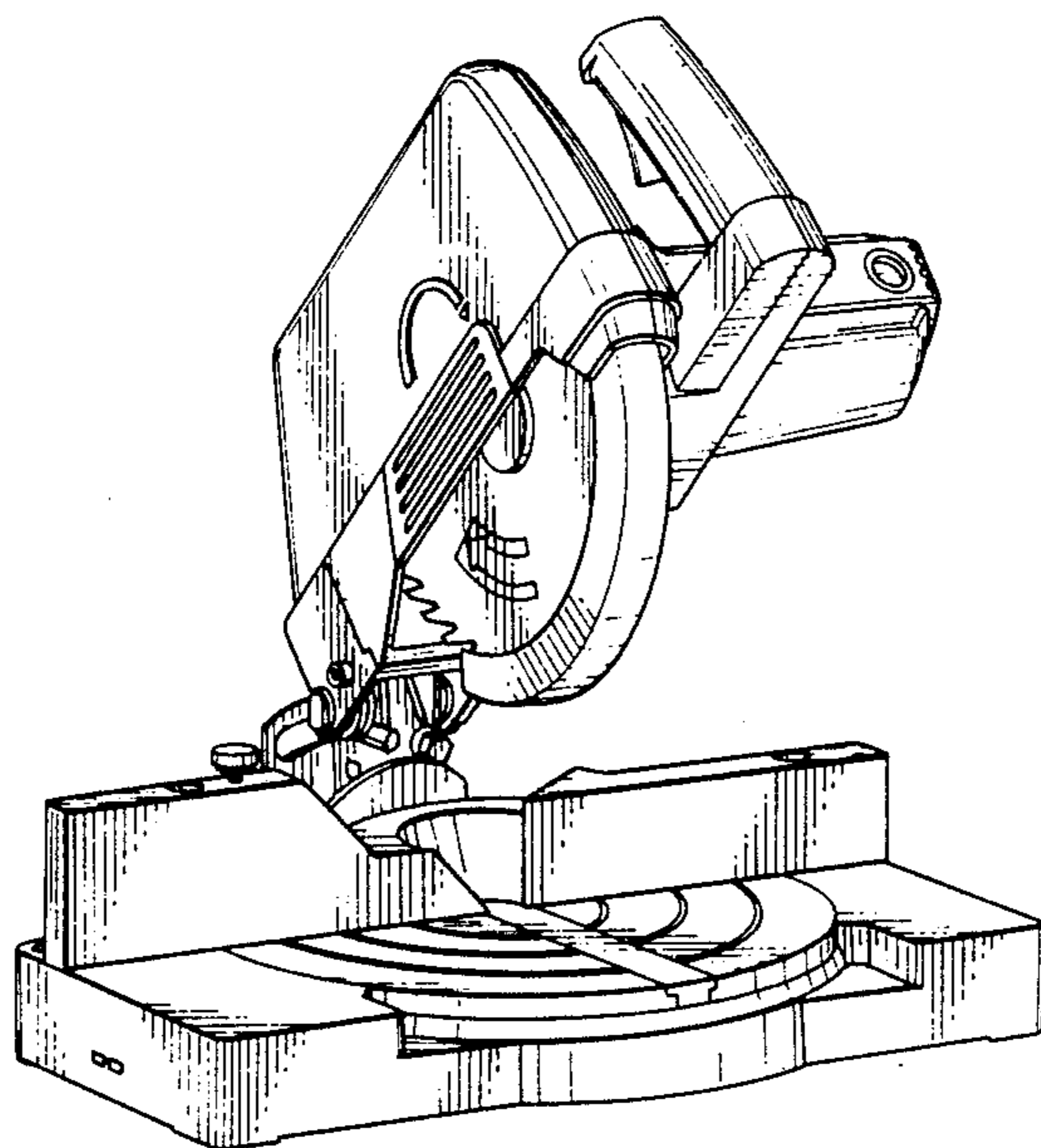


Fig. 1

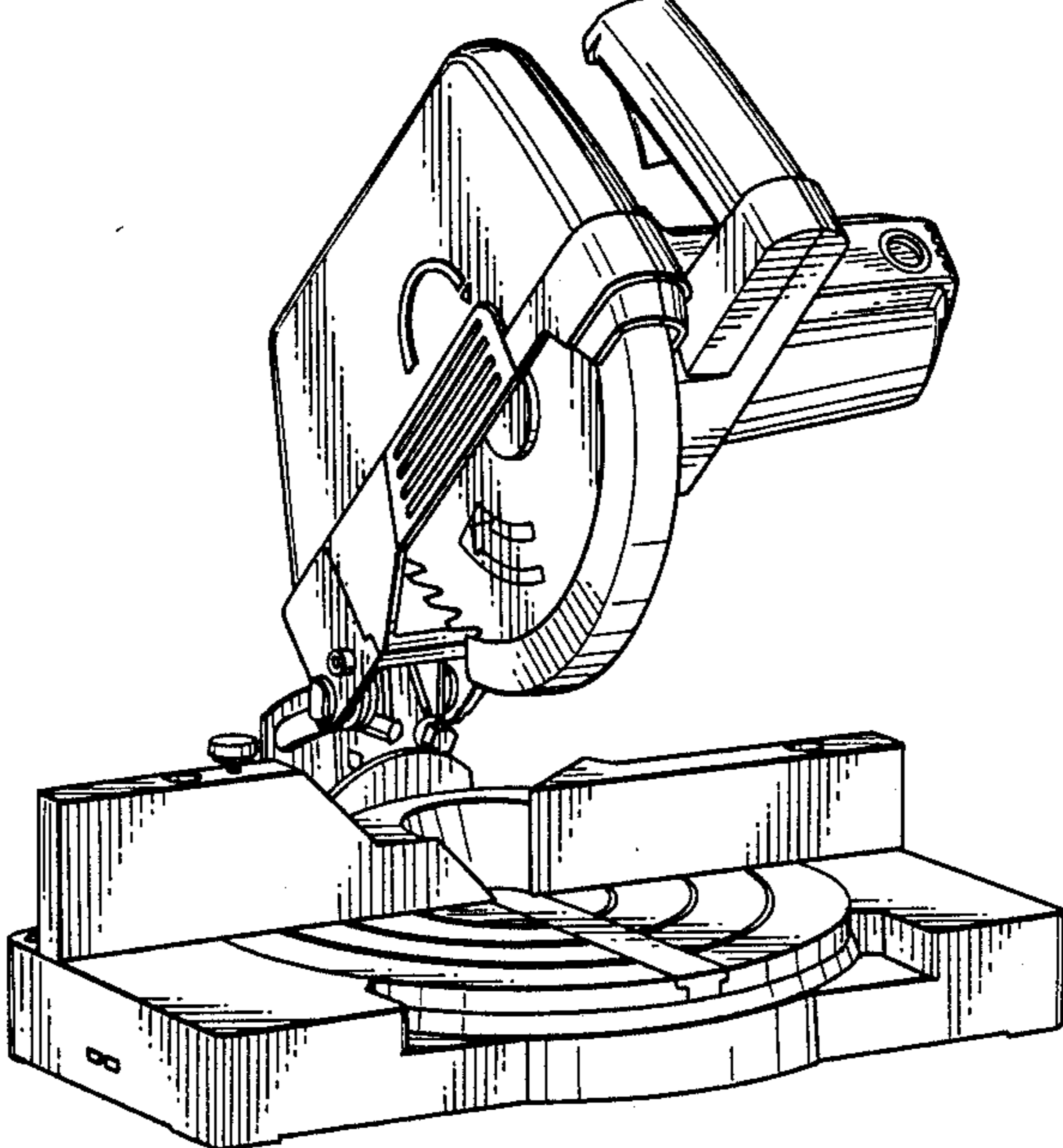


Fig. 2

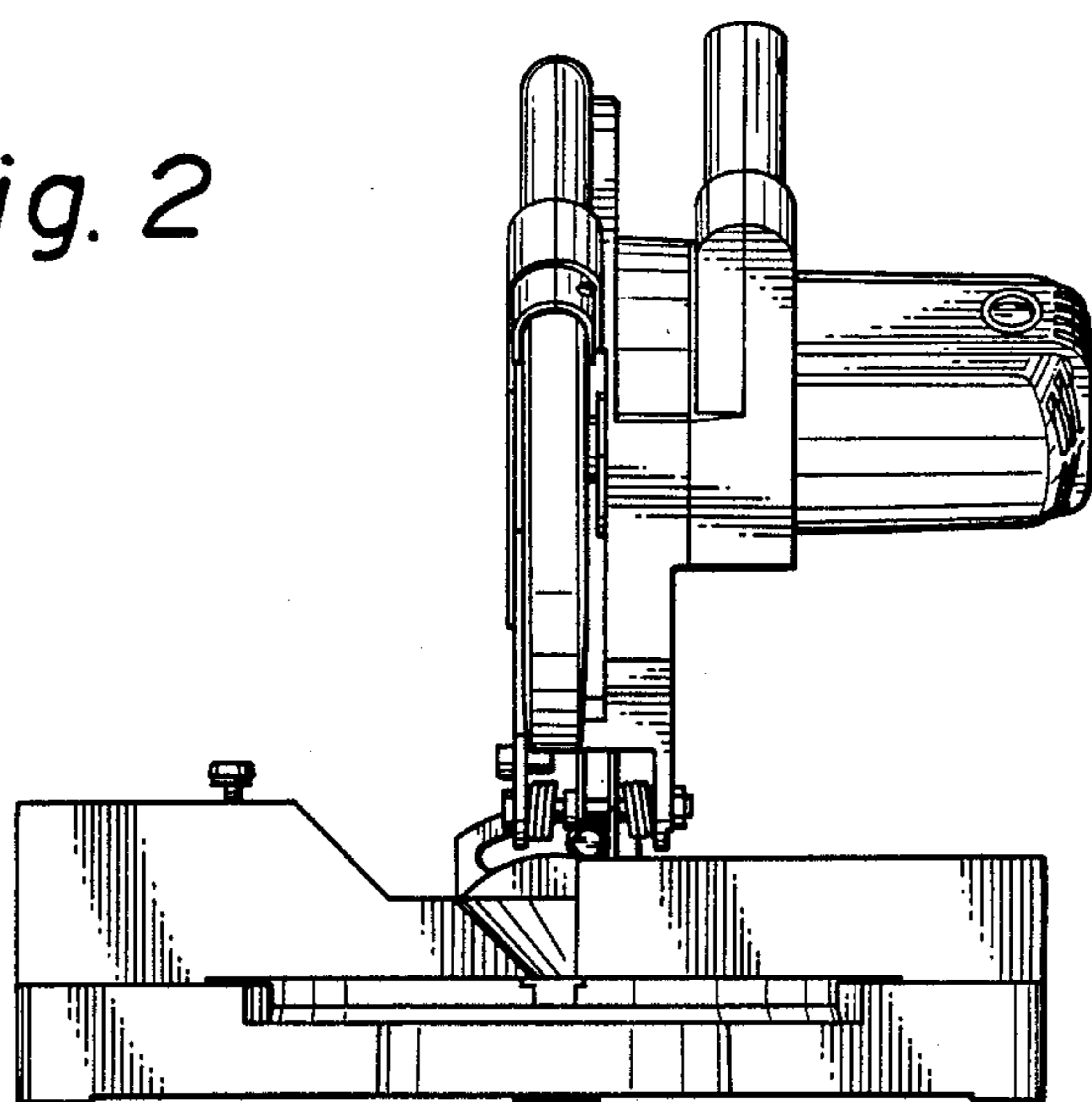


Fig. 3

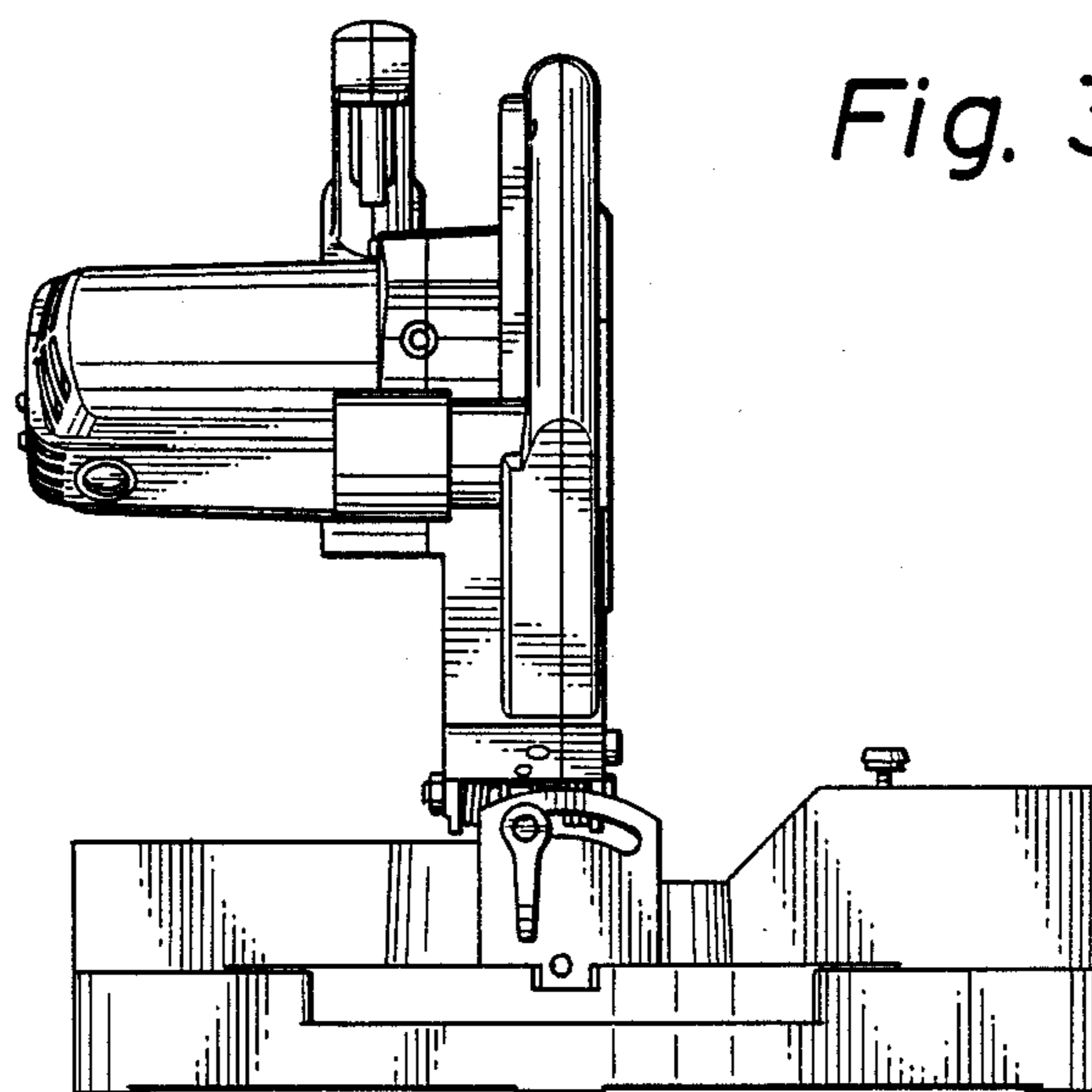


Fig. 4

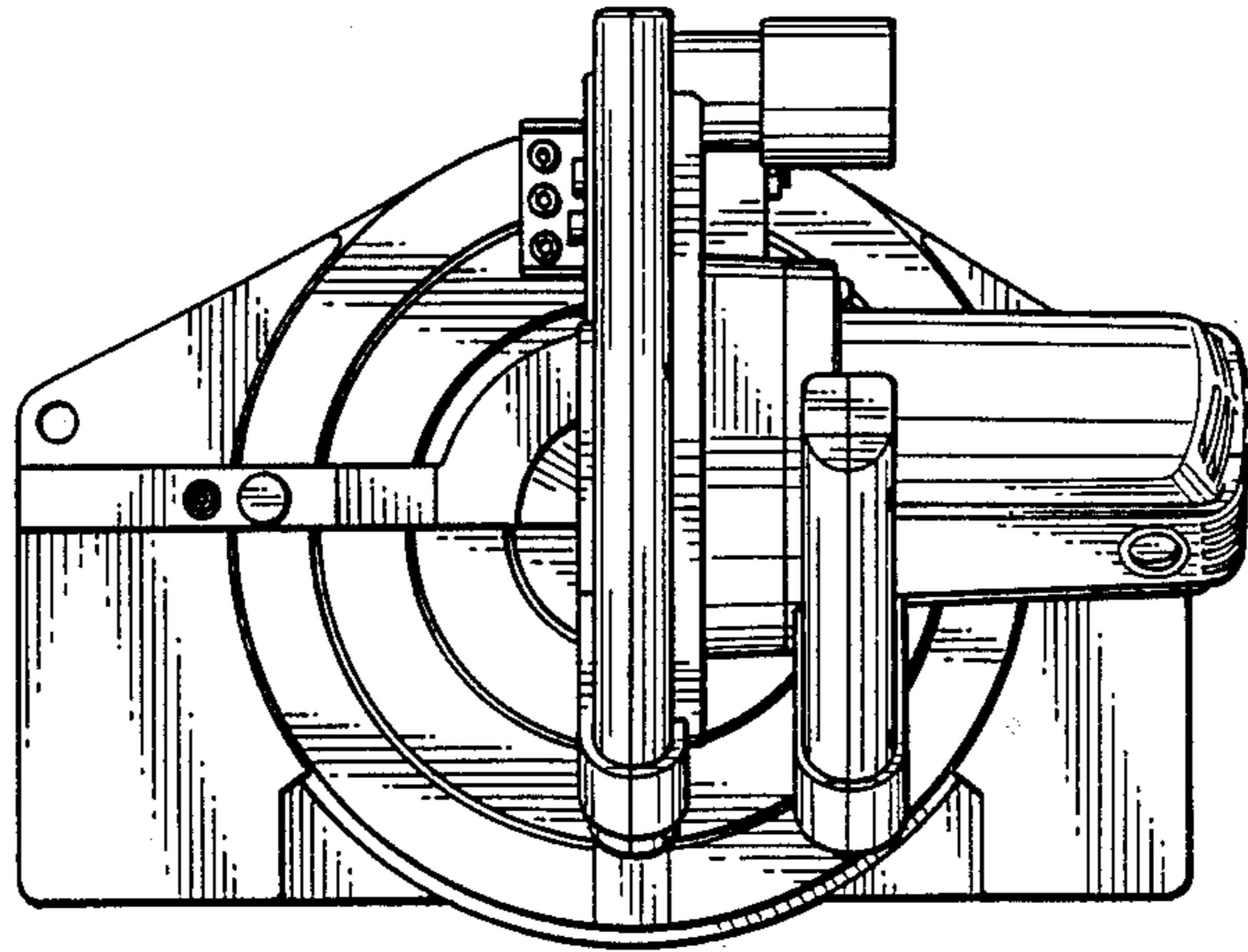


Fig. 5

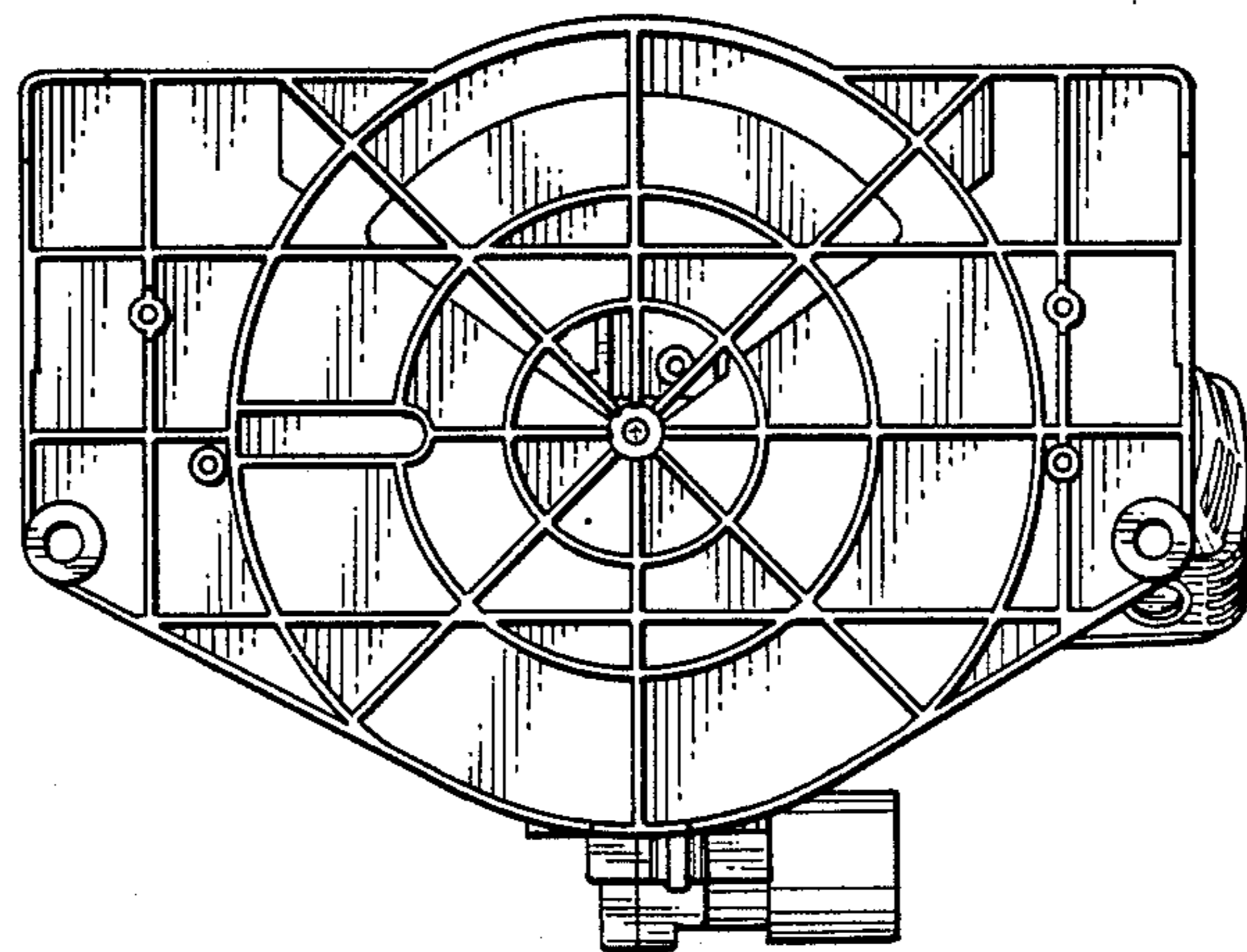


Fig. 6

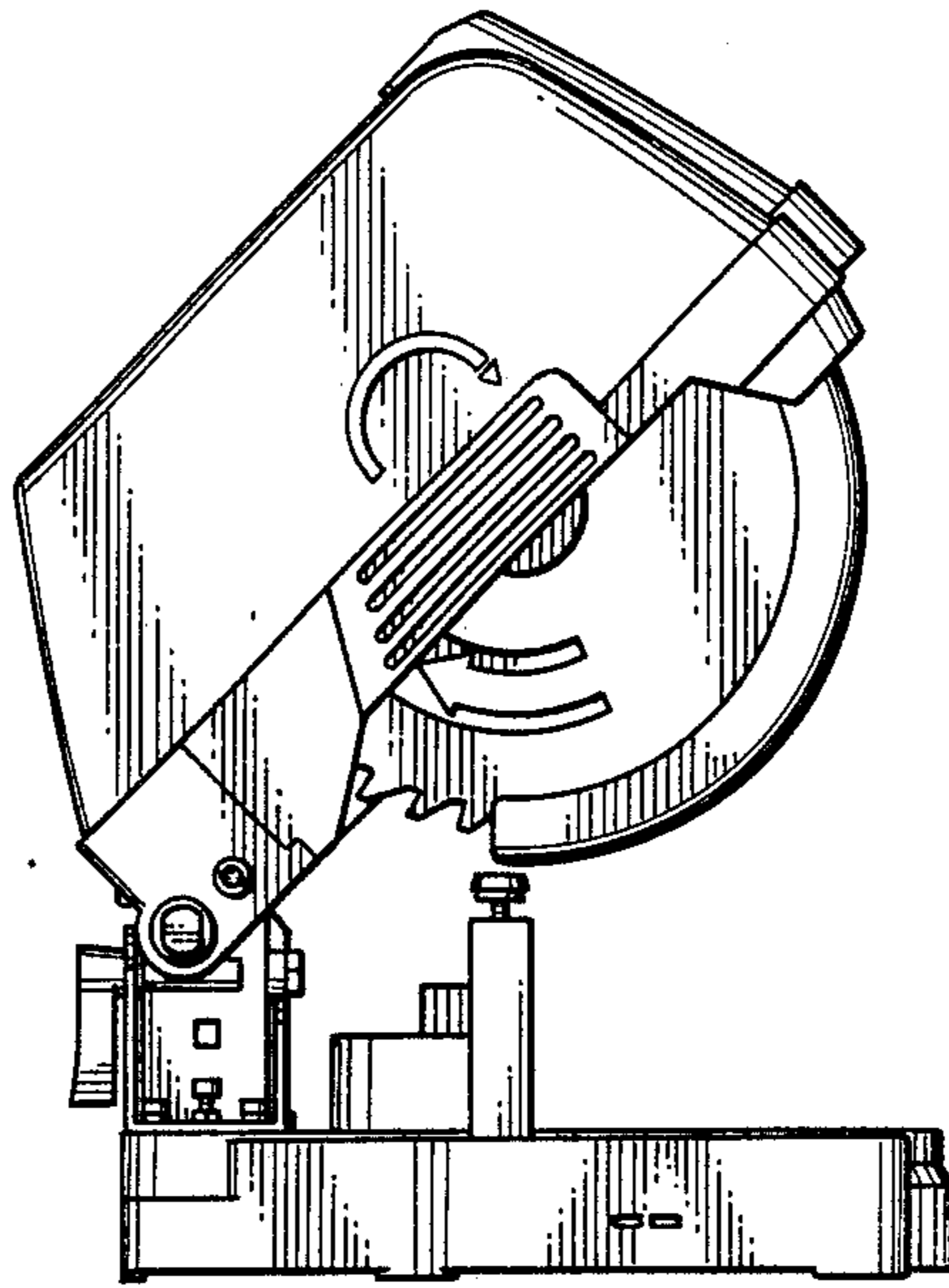


Fig. 7

