

[54] COMBINED TAPE RECORDER AND RADIO

[75] Inventors: Kazuo Kawabe; Tsutomu Yamasaki, both of Osaka, Japan

[73] Assignee: Sharp Corporation, Osaka, Japan

[**] Term: 14 Years

[21] Appl. No.: 44,458

[22] Filed: Apr. 30, 1987

[30] Foreign Application Priority Data

Nov. 4, 1986 [JP] Japan 61-43551

[52] U.S. Cl. D14/163

[58] Field of Search D14/154, 160-168, D14/188, 191-198, 299; 455/344, 347, 350, 351

[56] References Cited

U.S. PATENT DOCUMENTS

- D. 218,317 8/1970 Larson D14/164
- D. 262,700 1/1982 Okada et al. D14/163
- D. 278,899 5/1985 Takata D14/165
- D. 278,900 5/1985 Takata D14/165

D. 298,235 10/1988 Hirose et al. D14/163

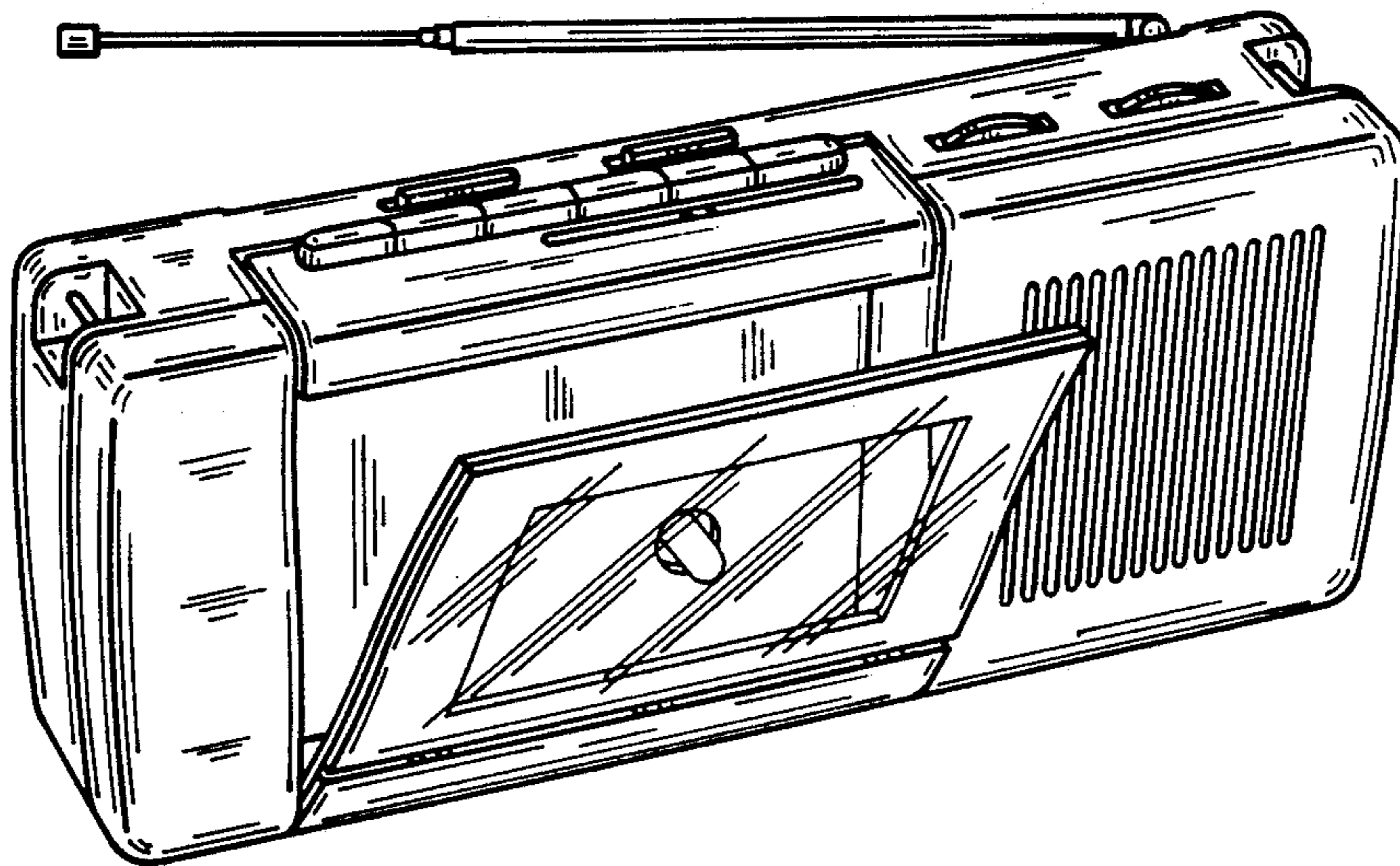
Primary Examiner—Bernard Ansher
Assistant Examiner—Theodore M. Shooman
Attorney, Agent, or Firm—Flehr, Hohbach, Test, Albritton & Herbert

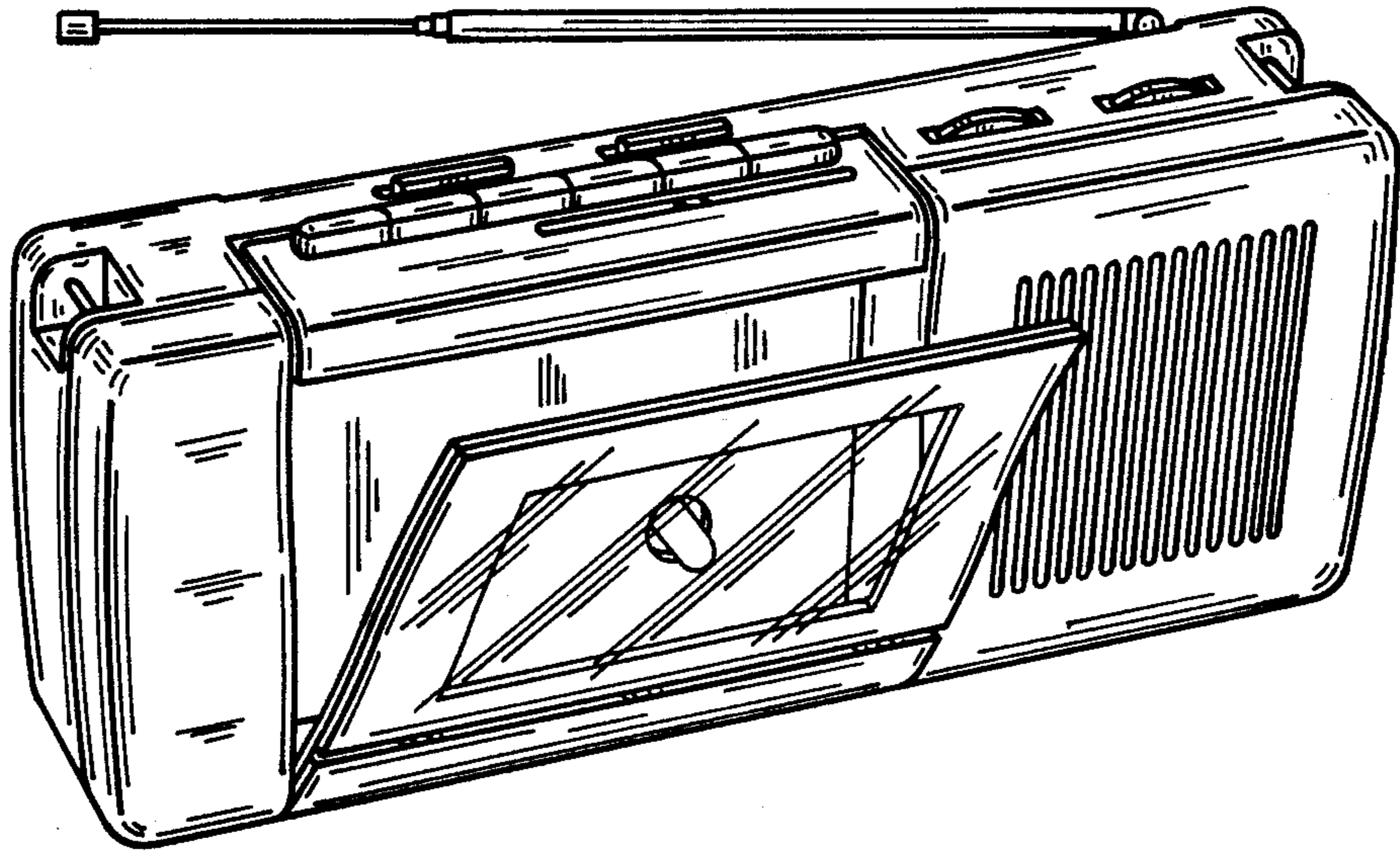
[57] CLAIM

The ornamental design for a combined tape recorder and radio, as shown and described.

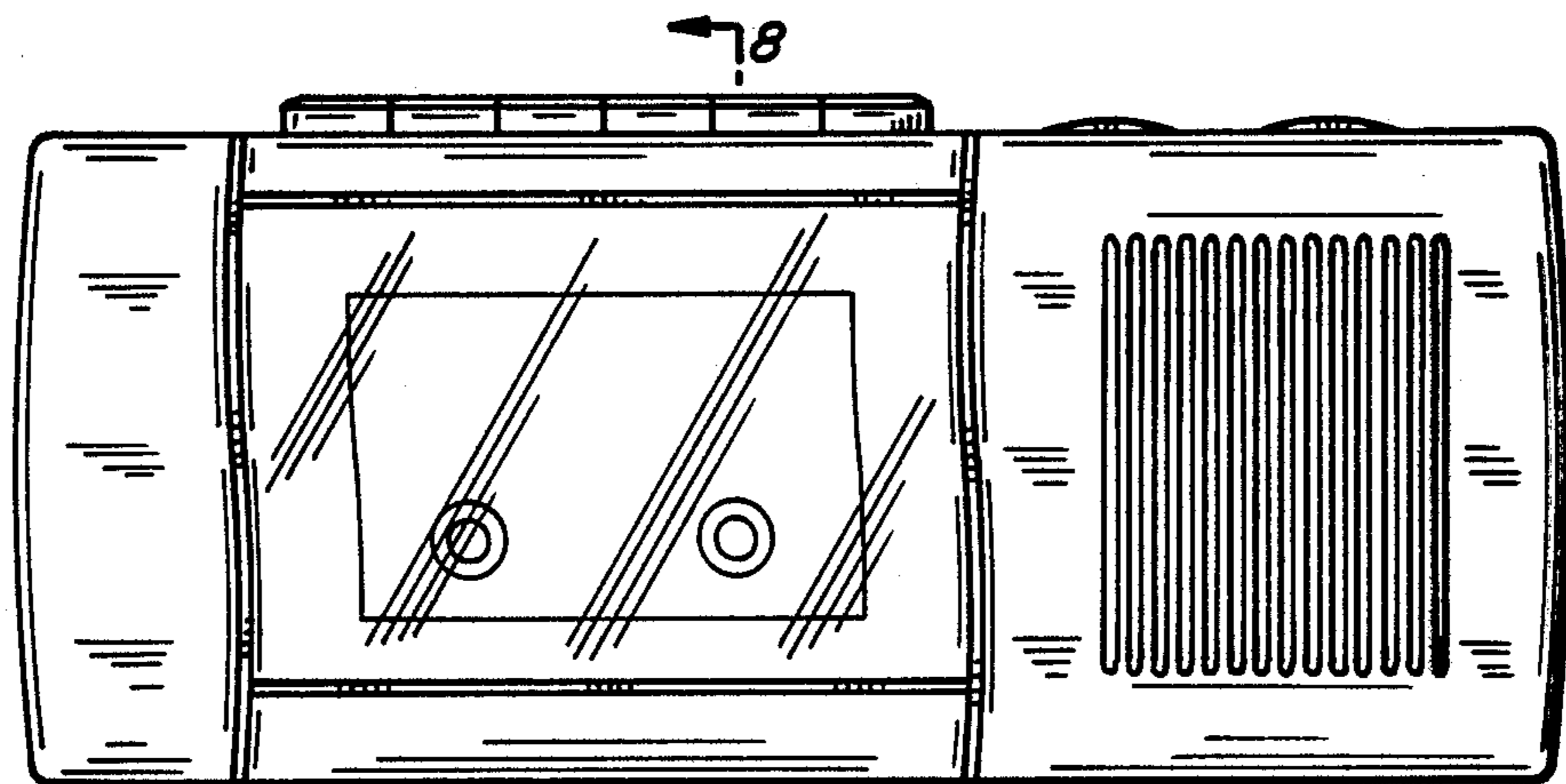
DESCRIPTION

FIG. 1 is a top, front and left side perspective view of a combined tape recorder and radio showing our new design, with the antenna in a raised position and the cassette holder in an open position;
FIG. 2 is a front elevational view thereof;
FIG. 3 is a top plan view thereof;
FIG. 4 is a rear elevational view thereof;
FIG. 5 is a bottom plan view thereof;
FIG. 6 is a right side elevational view thereof;
FIG. 7 is a left side elevational view thereof; and
FIG. 8 is a sectional view thereof, taken along the line 8—8 of FIG. 2.

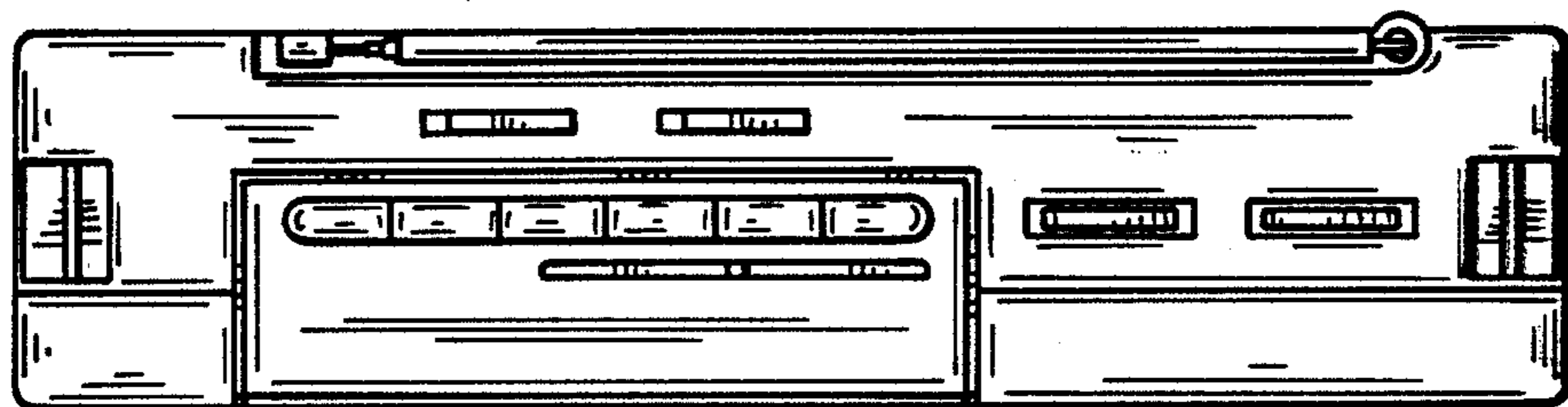




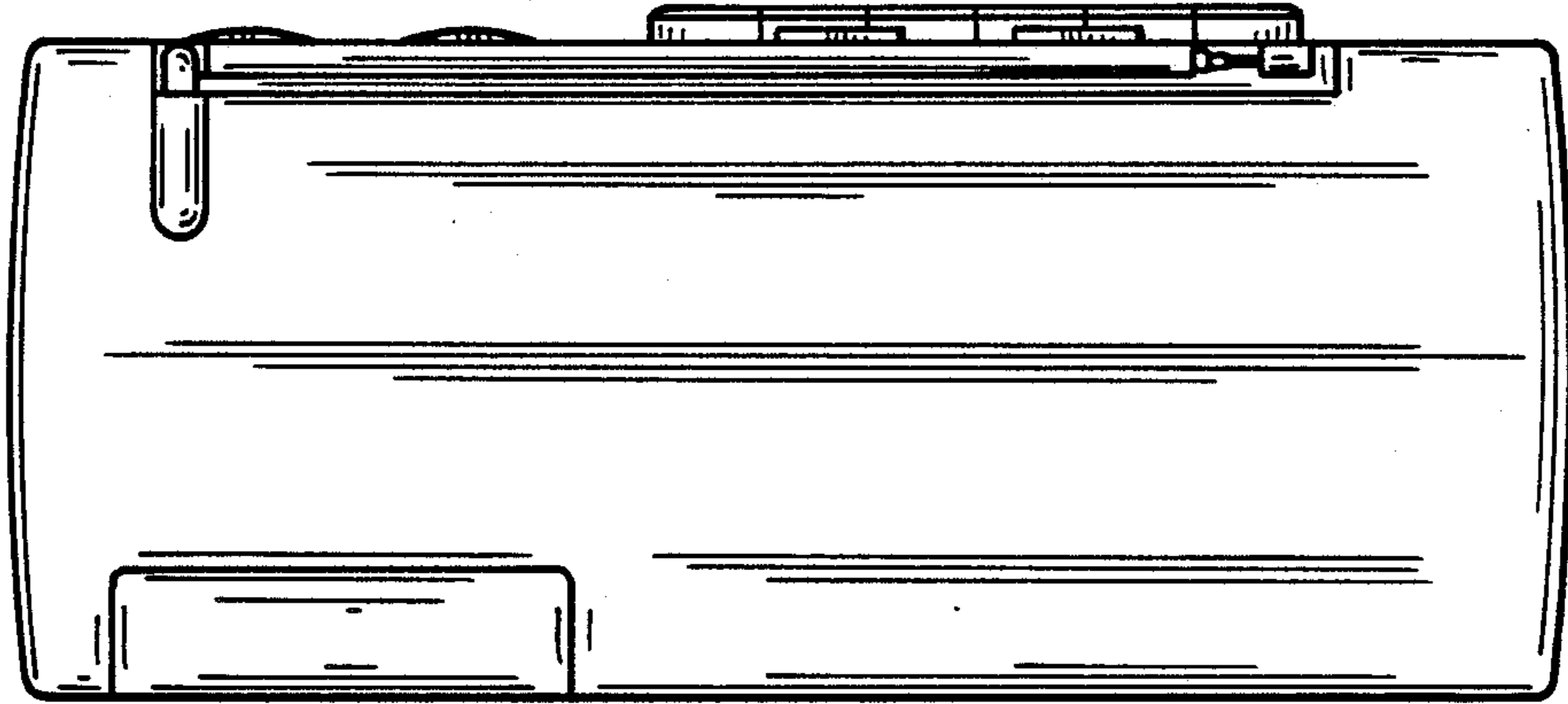
FIG_1



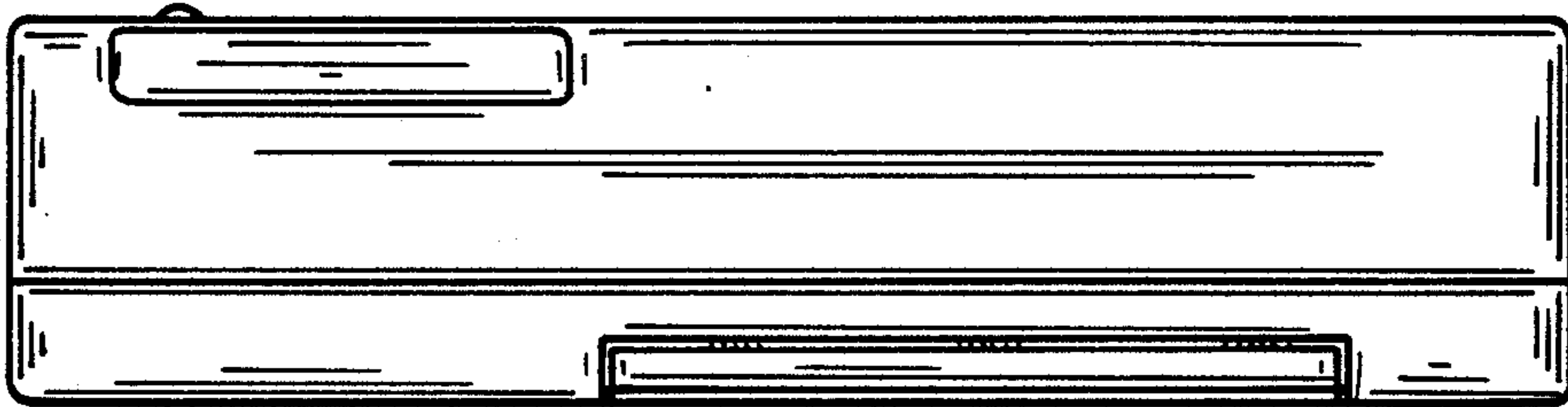
FIG_2



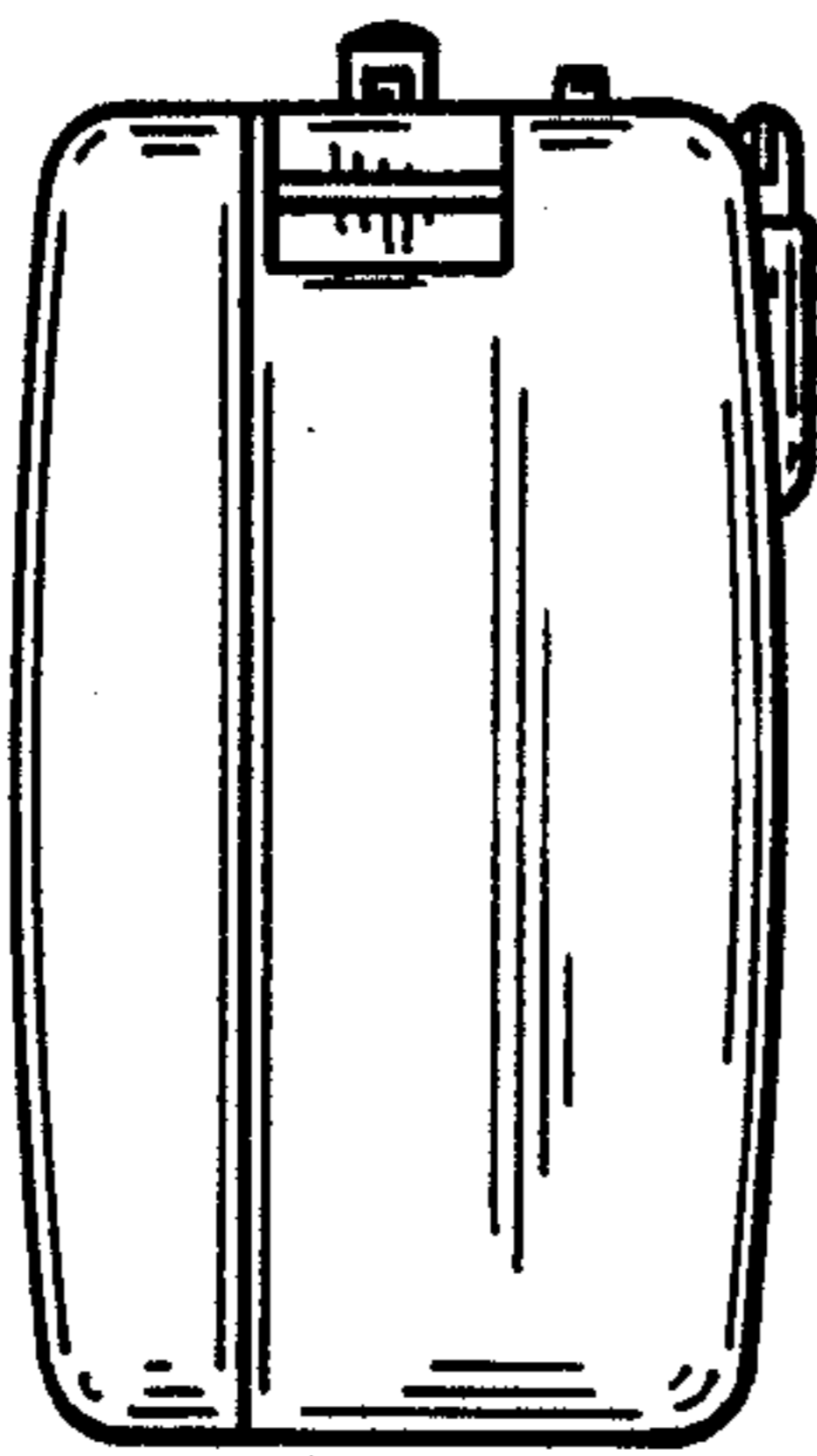
FIG_3



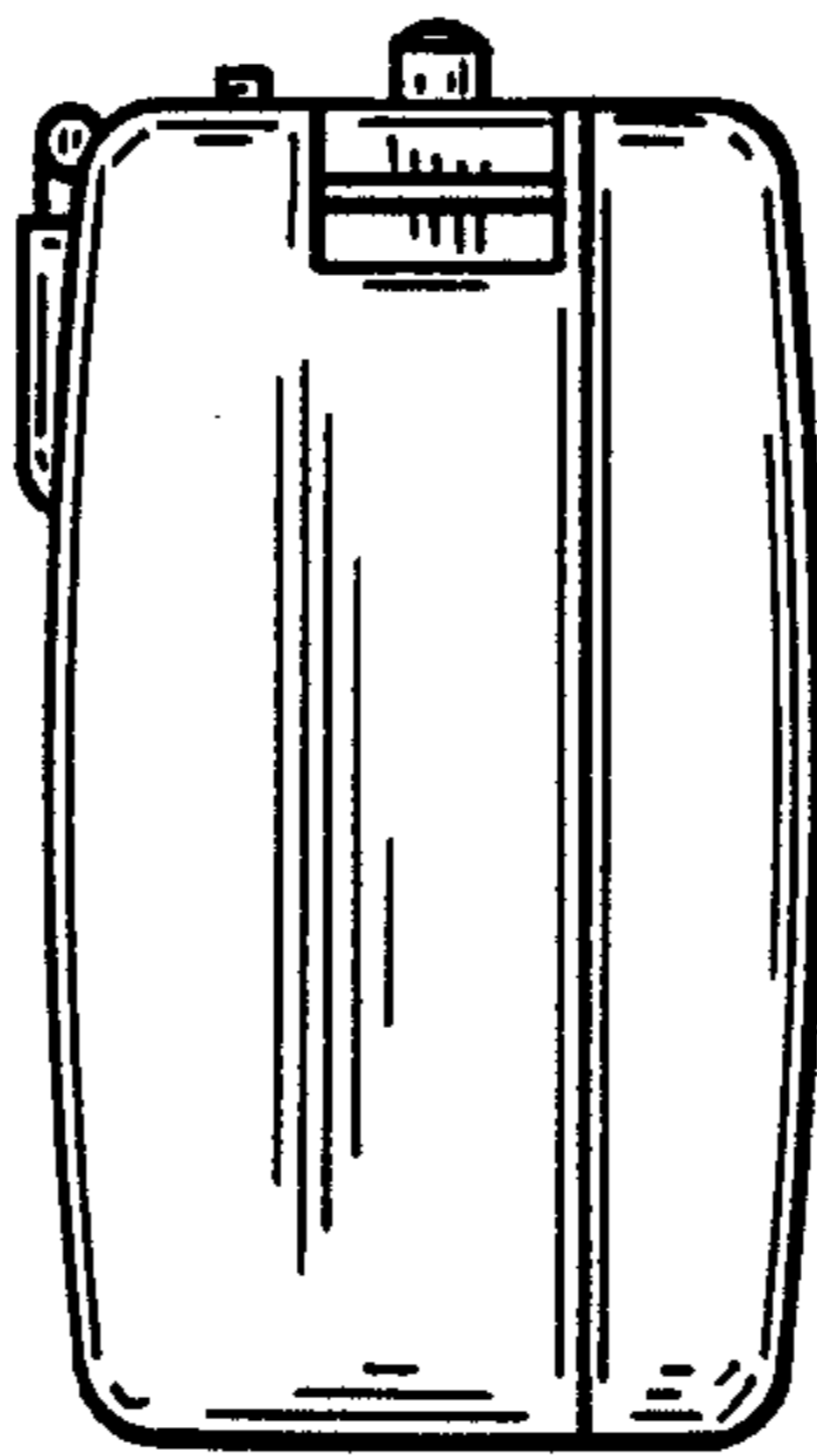
FIG_4



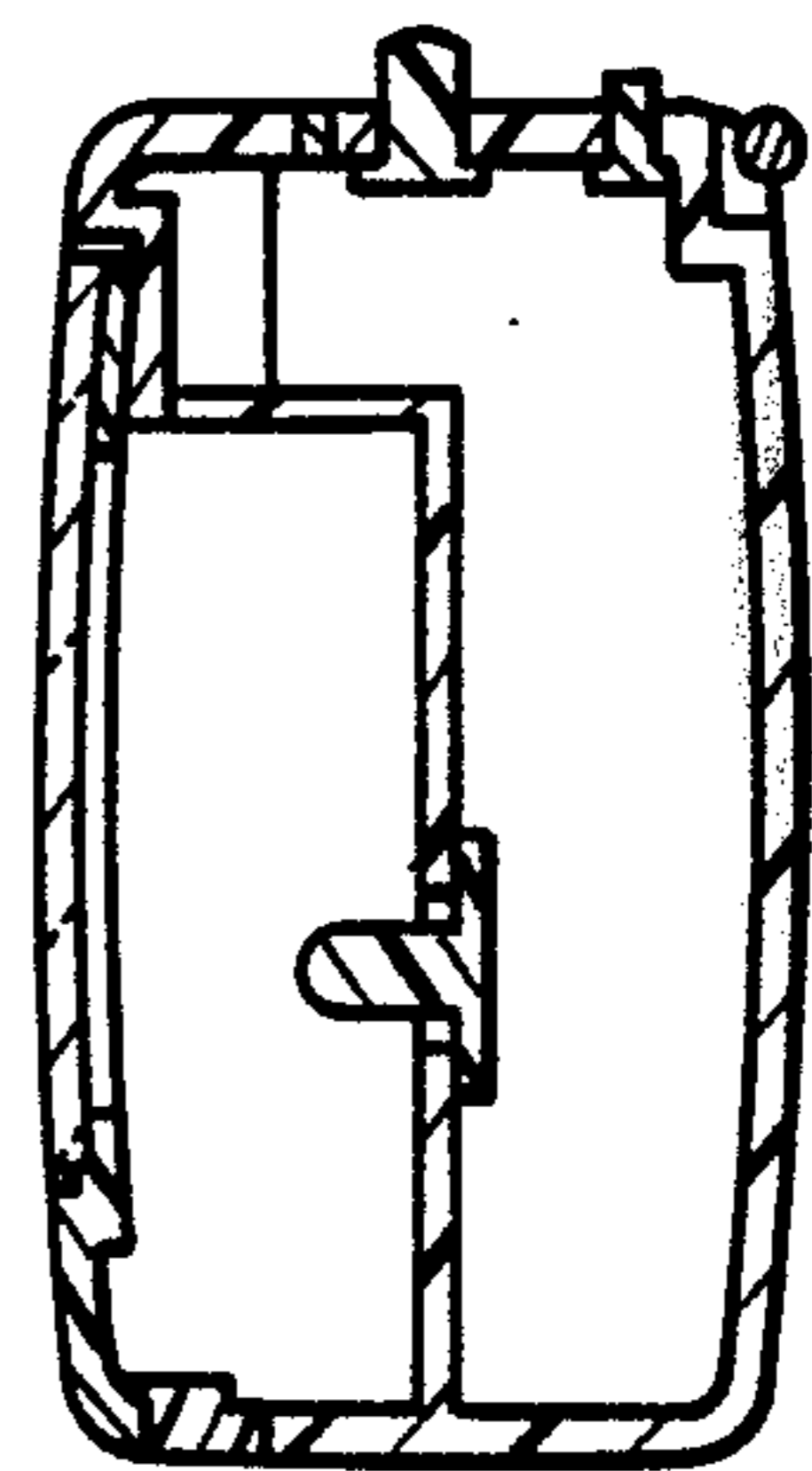
FIG_5



FIG_6



FIG_7



FIG_8