

[54] COMBINATION TELEPHONE STAND AND HANDSET

[75] Inventors: George Perkins, Eugene, Oreg.; Thomas P. Eisenstadt, Solana Beach, Calif.

[73] Assignee: TeleQuest, Inc., San Diego, Calif.

[\*\*] Term: 14 Years

[21] Appl. No.: 940,635

[22] Filed: Dec. 10, 1986

[52] U.S. Cl. .... D14/151; D14/248

[58] Field of Search ..... D14/53, 56, 63, 64, D14/59, 62; 379/440, 436, 435, 434, 433, 428, 419

[56] References Cited

U.S. PATENT DOCUMENTS

D. 211,645	7/1968	Perkins	.....	D14/53
D. 250,890	1/1979	Stokes	.....	D14/53
D. 263,702	4/1982	Fukushima et al.	.....	D14/56 X
D. 263,703	4/1982	Fukushima et al.	.....	D14/53
D. 271,490	11/1983	Fukushima et al.	.....	D14/53
D. 287,125	12/1986	Savnik	.....	D14/56 X
D. 288,563	3/1987	Story et al.	.....	D14/62 X
D. 290,954	7/1987	Read	.....	D14/56 X
D. 295,170	4/1988	Wolstone	.....	D14/59 X
D. 297,138	8/1988	Culver et al.	.....	D14/53 X
D. 297,636	9/1988	Armani	.....	D14/64 X

Primary Examiner—Horace B. Fay, Jr.

Attorney, Agent, or Firm—Spensley Horn Jubas & Lubitz

[57] CLAIM

The ornamental design for a combination telephone stand and handset, as shown.

DESCRIPTION

FIG. 1 is a front, top and left side perspective view of a combination telephone stand and handset showing my new design;

FIG. 2 is a front elevational view thereof;

FIGS. 3 and 4 are respectively right and left side elevational views thereof;

FIG. 5 is a rear elevational view thereof;

FIG. 6 is a top plan view thereof;

FIG. 7 is a bottom plan view thereof;

FIG. 8 is a front, top and left side perspective view of the base of the telephone of my new design and a front, top and left end view of the handset displaced from the base;

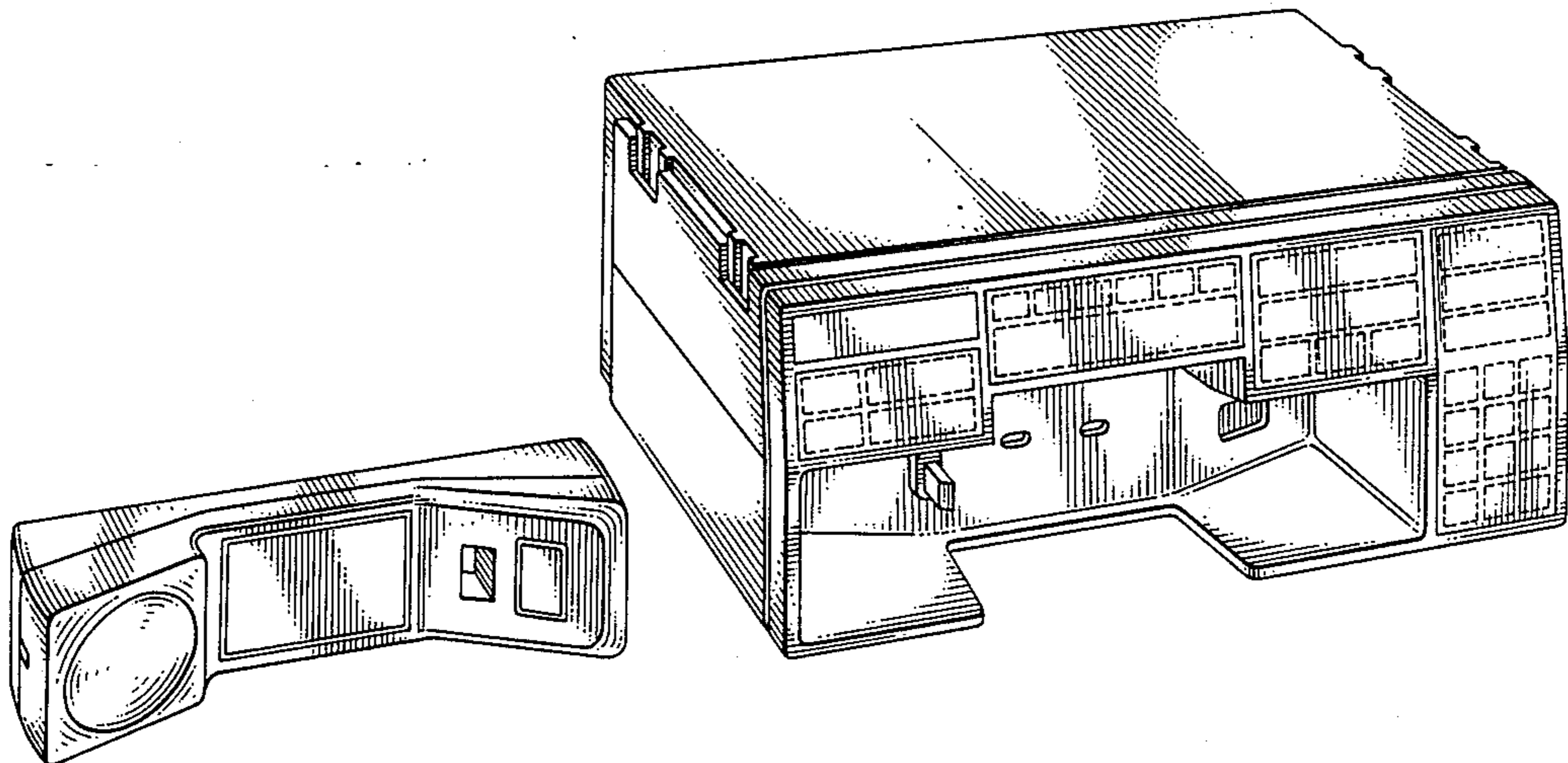
FIG. 9 is a front, bottom and right side perspective view of the stand with the handset removed;

FIG. 10 is a top plan view of the handset, shown alone and in FIGS. 11 and 12, for clarity of illustration;

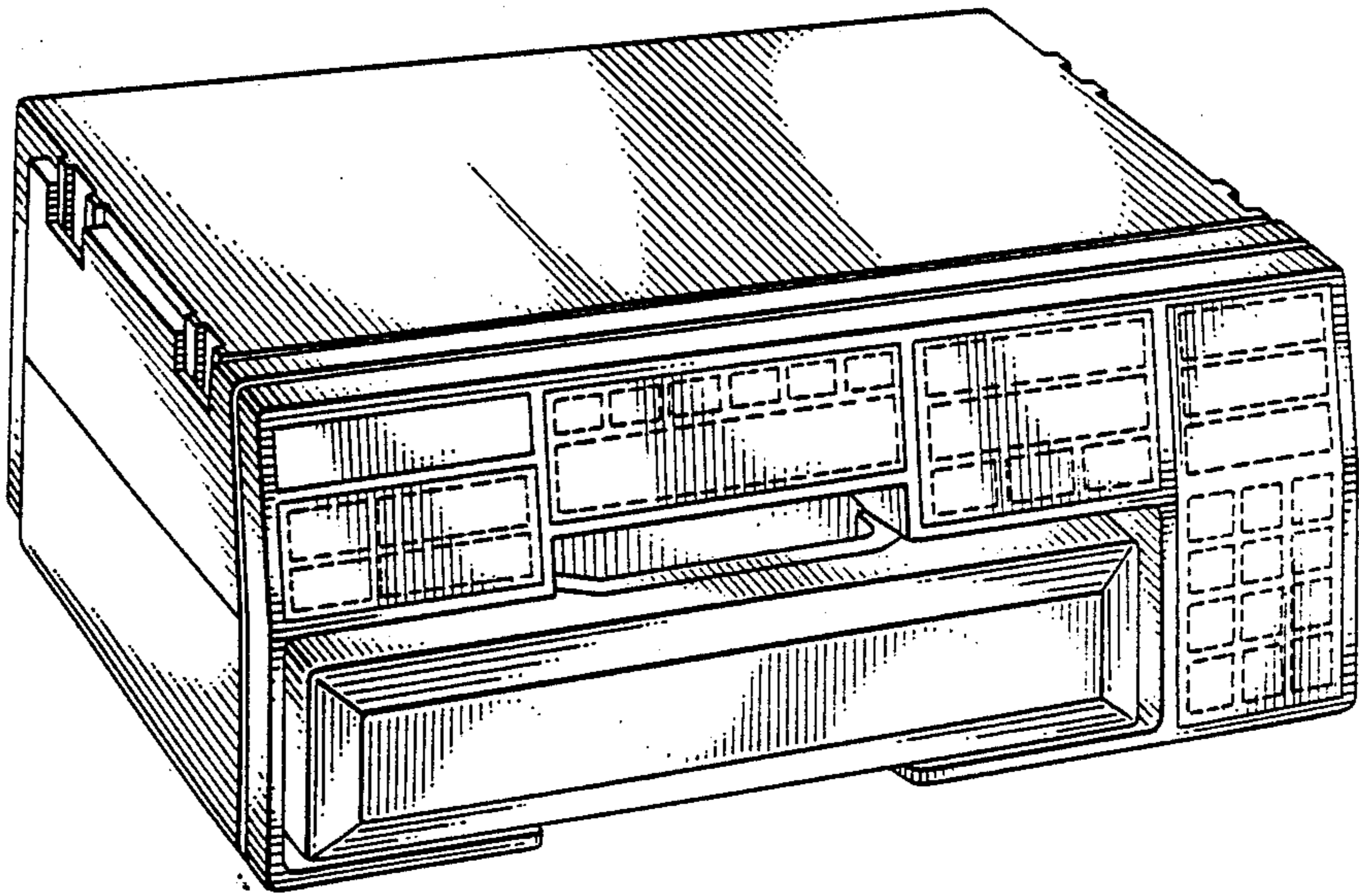
FIG. 11 is a front elevational view thereof; and

FIGS. 12 and 13 are respectively left and right end elevational views thereof.

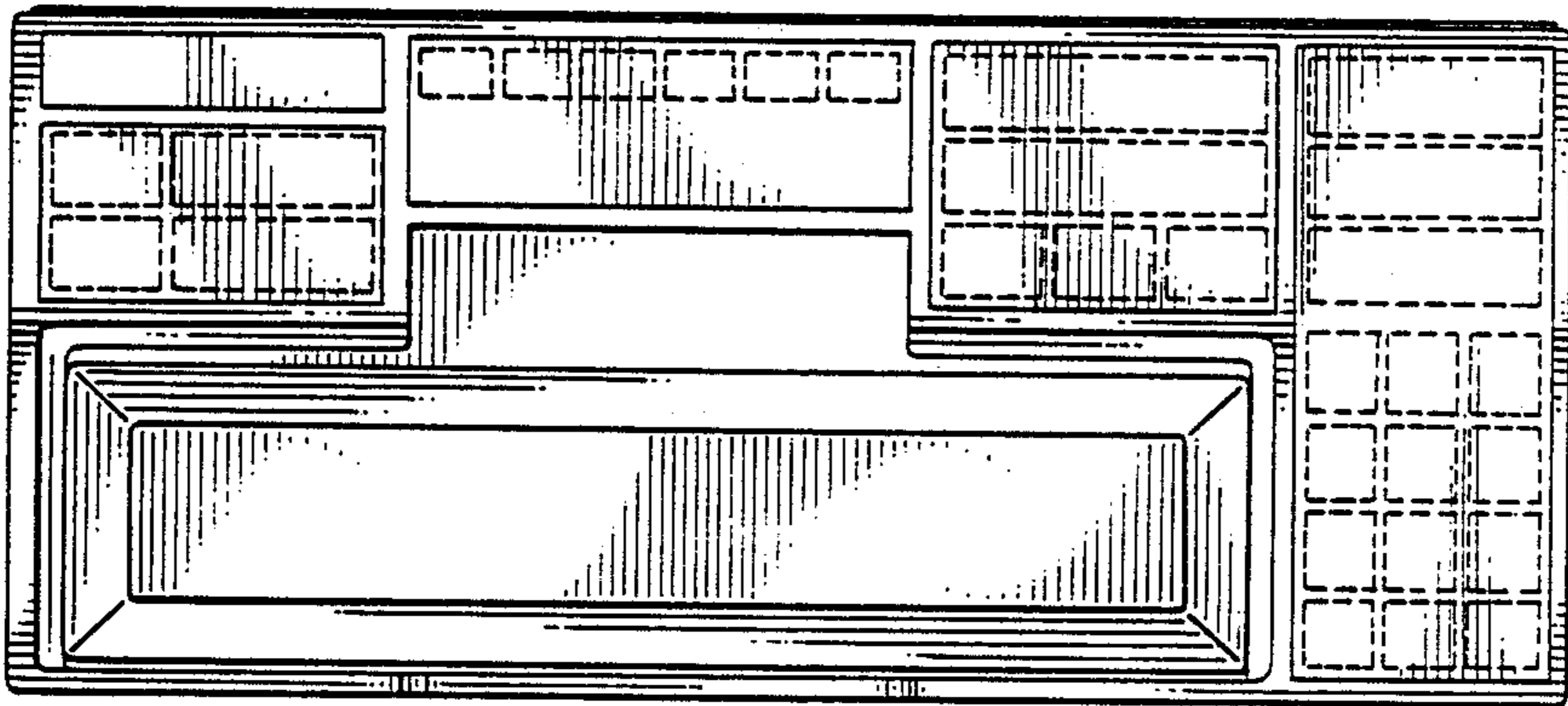
The broken line showing in FIGS. 1, 2, and 9 is for illustrative purposes only and forms no part of the claimed design.



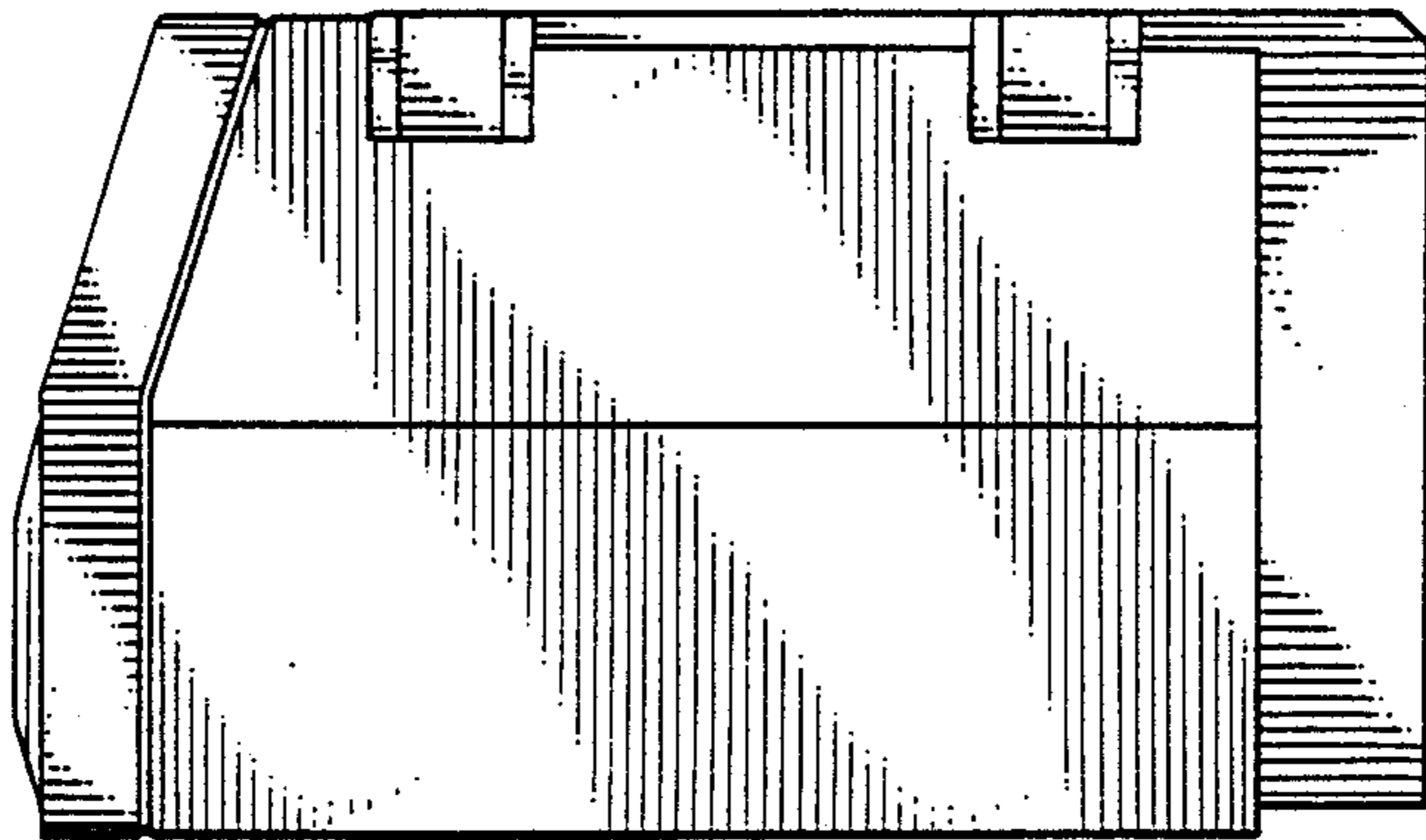
*FIG. 1*



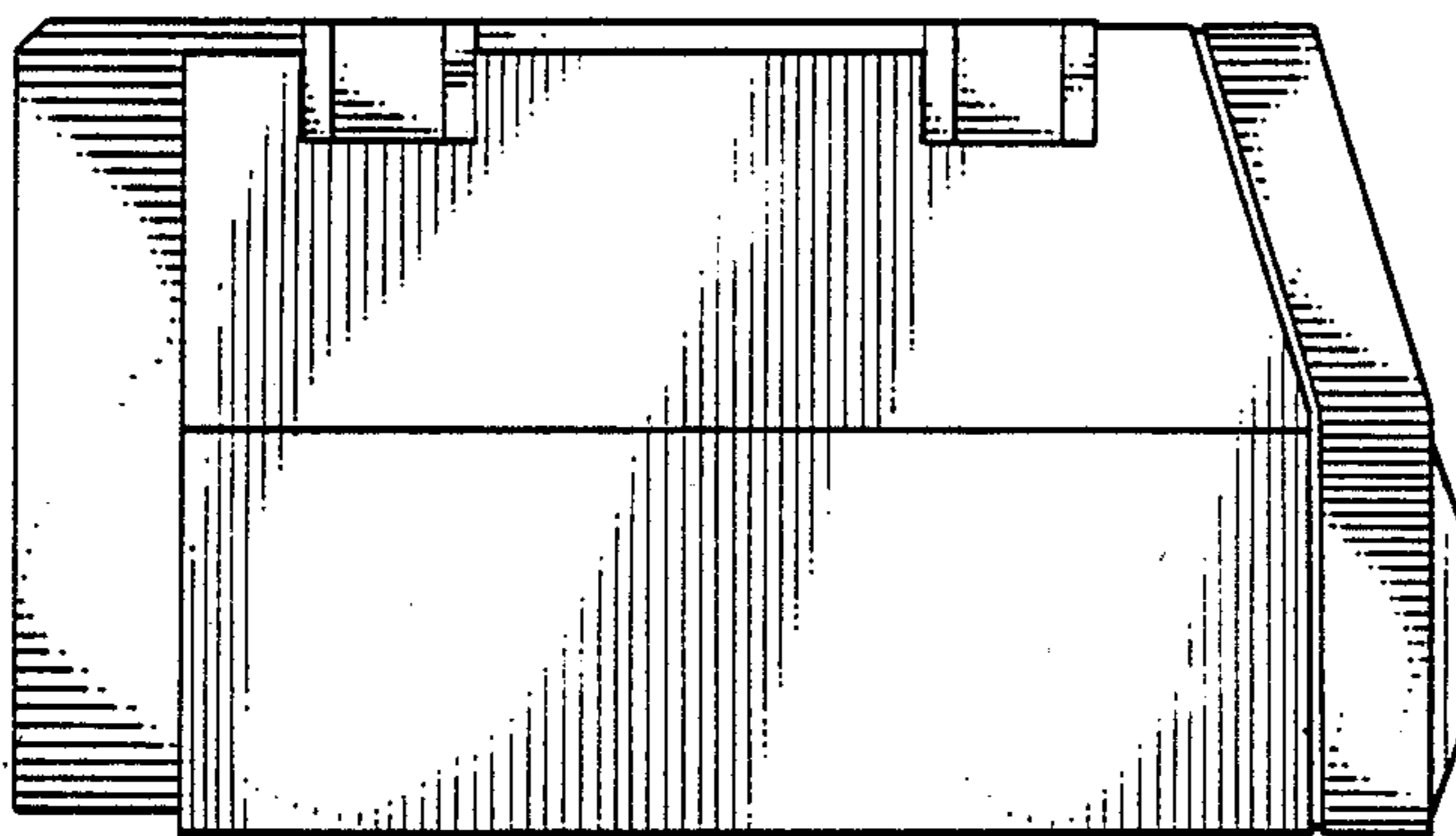
*FIG. 2*



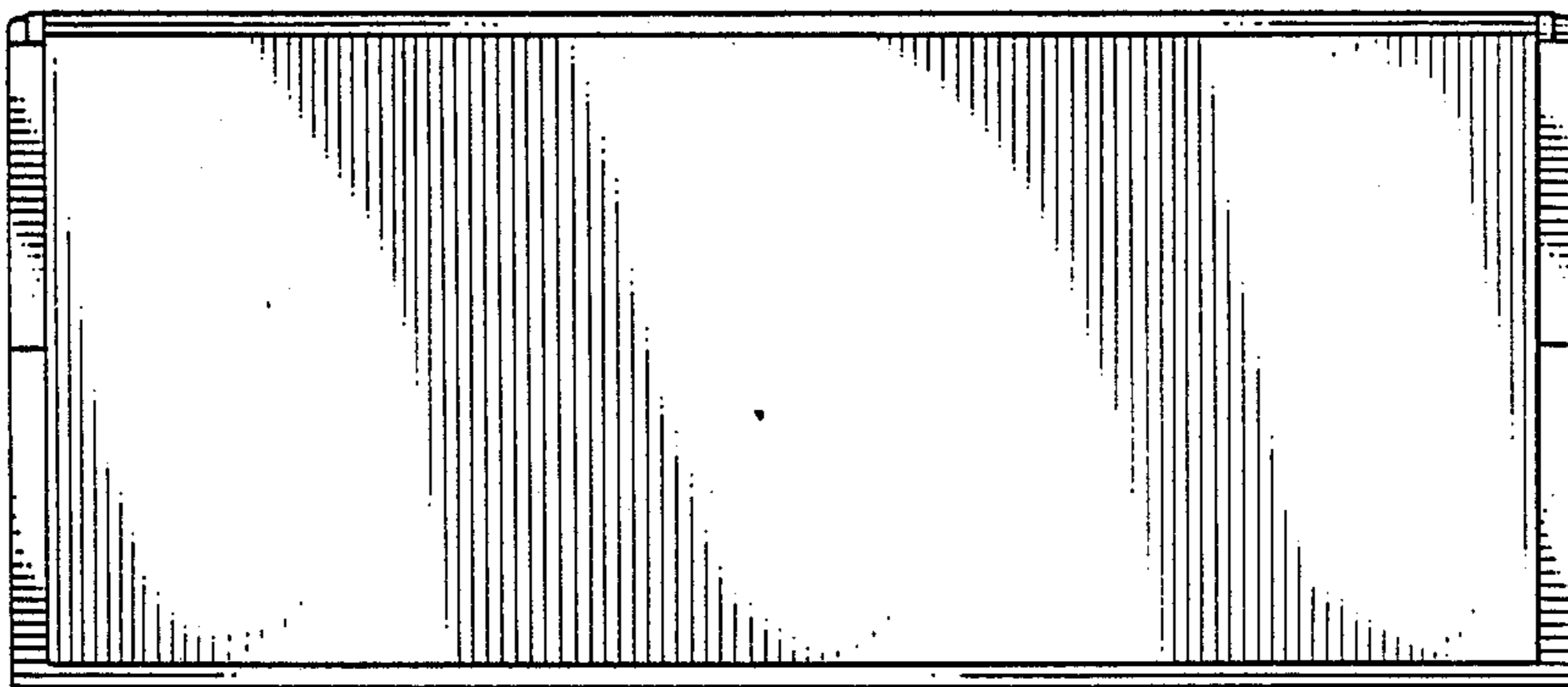
*FIG. 3*



*FIG. 4*

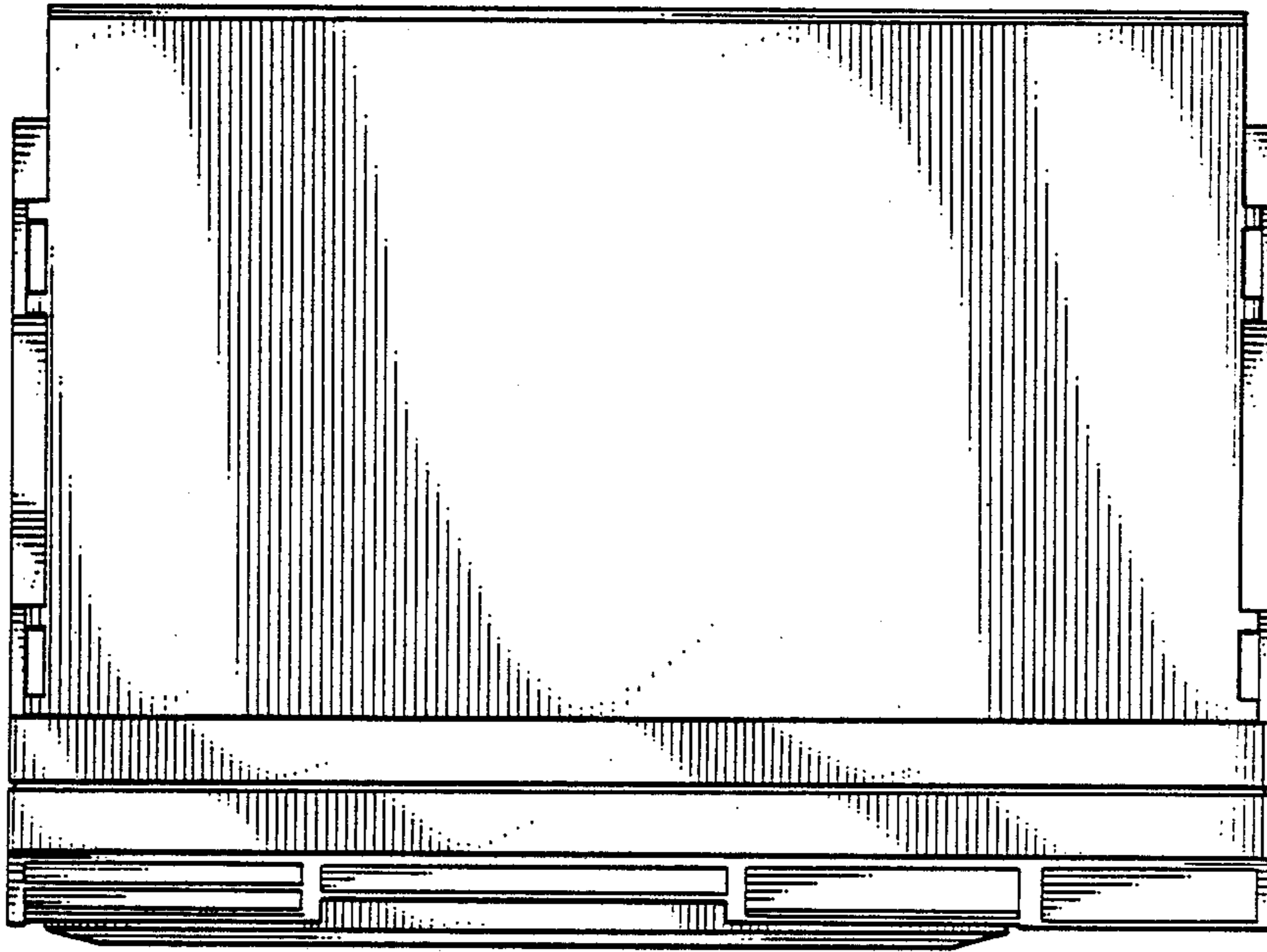


*FIG. 5*

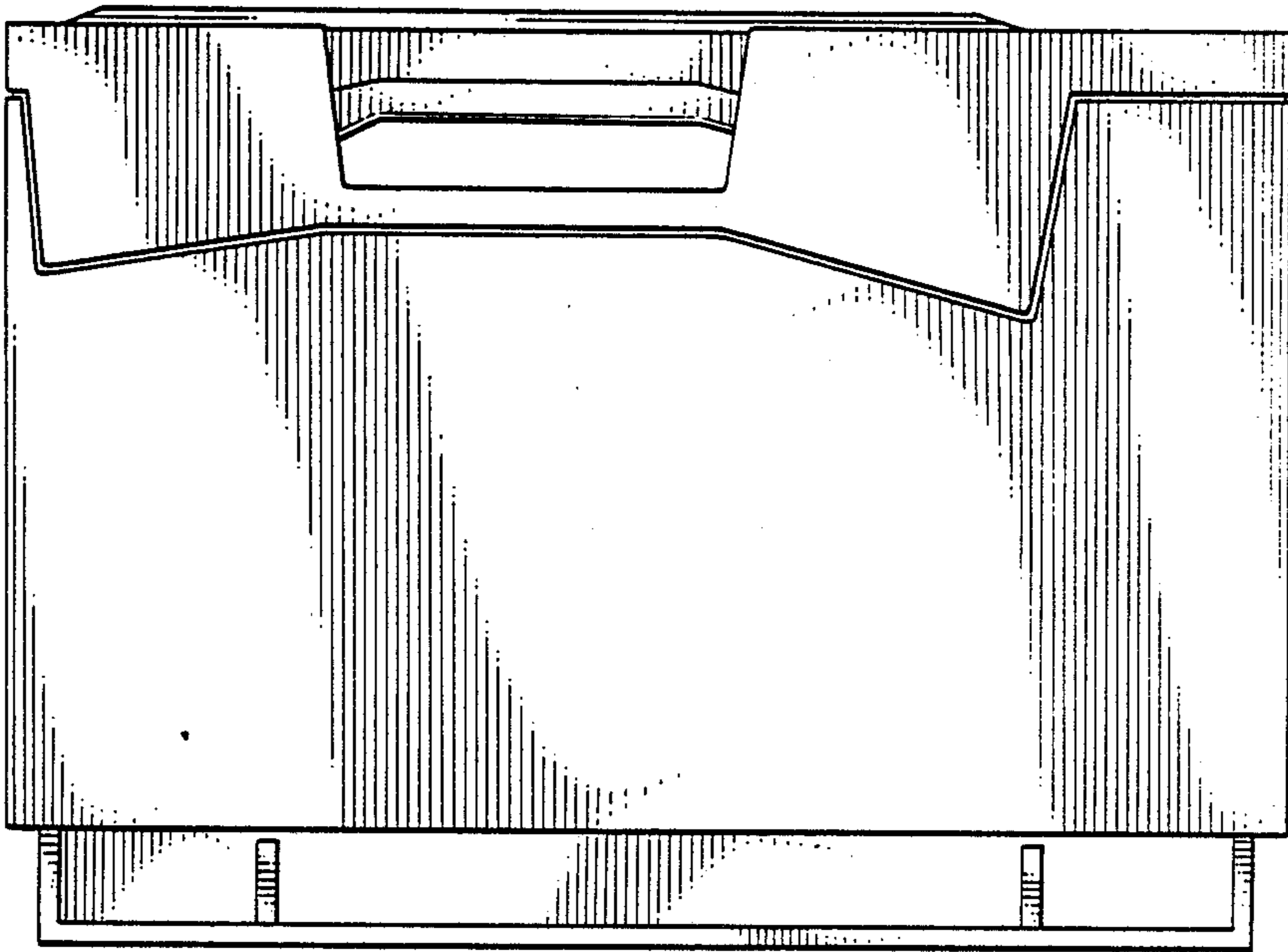


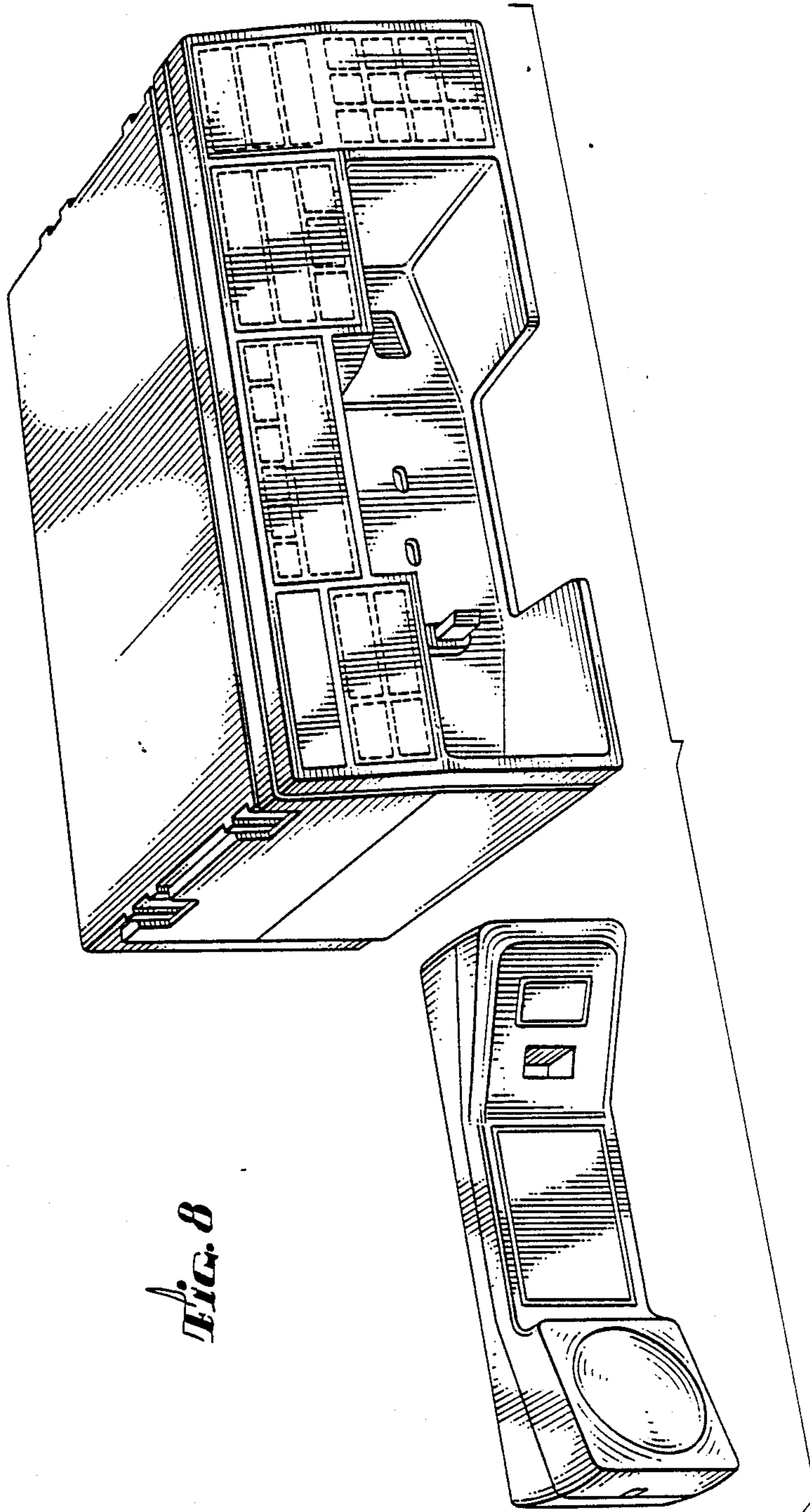


*FIG. 6*

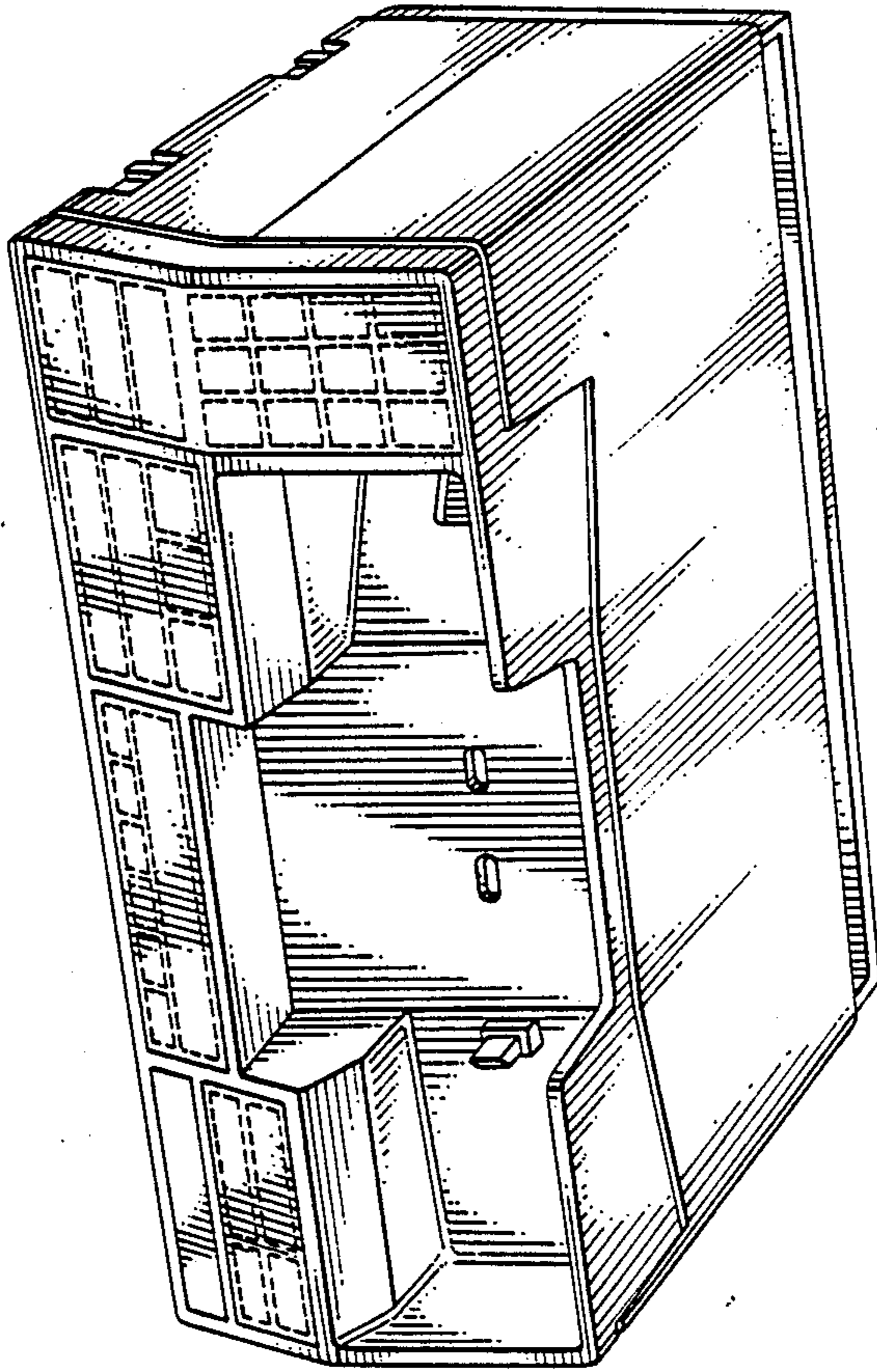


*FIG. 7*



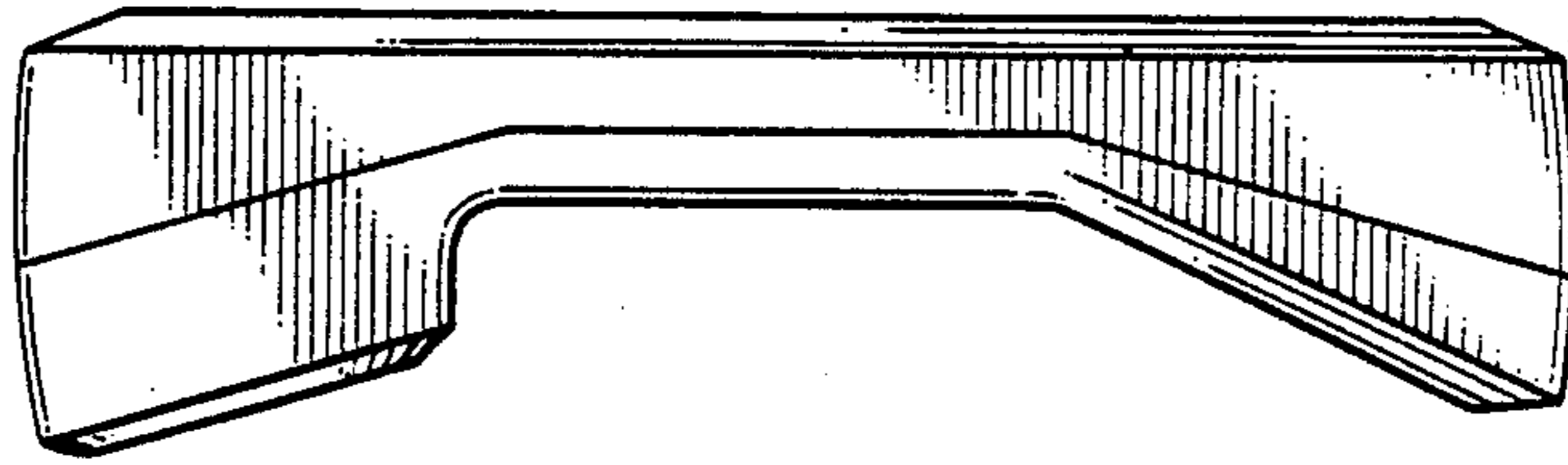


*FIG. 8*

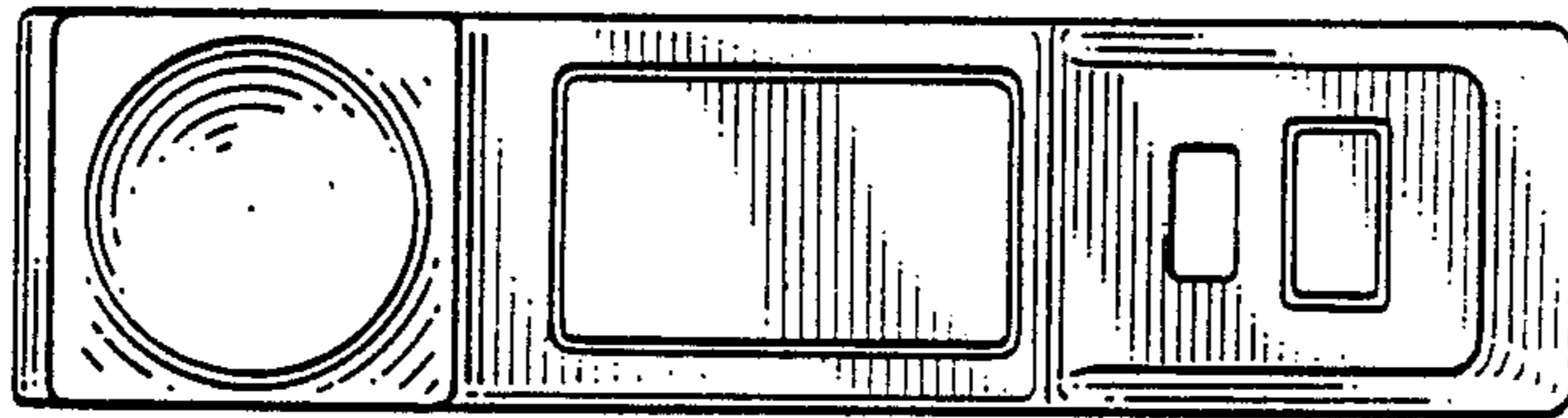


*FIG. 9*

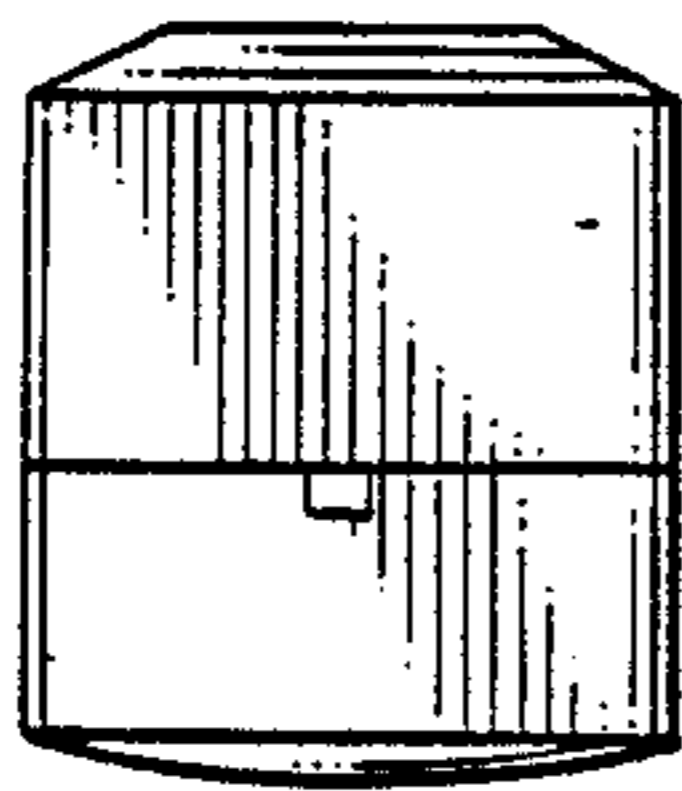
*FIG. 10*



*FIG. 11*



*FIG. 12*



*FIG. 13*

