

[54] **ROTATABLE MODULAR CONNECTOR FOR A TELEPHONE**

[75] **Inventors: Bruce Gallo, Chester; Charles Hannon, Clinton, both of N.J.**

[73] **Assignee: Telcor, Inc., Chester, N.J.**

[\*\*] **Term: 14 Years**

[21] **Appl. No.: 816,803**

[22] **Filed: Jan. 7, 1986**

[52] **U.S. Cl. .... D14/256; D13/24**

[58] **Field of Search .... D13/13, 24-31, D13/40; 439/13, 21, 27**

[56] **References Cited**

**U.S. PATENT DOCUMENTS**

D. 156,505	12/1949	Greenbaum	.....	D13/28
1,762,039	6/1930	Van Gelderen	.....	D13/26
4,273,969	6/1981	Foley et al.	.....	439/13
4,699,591	10/1987	Gallo et al.	.....	439/21

4,699,592 10/1987 Gallo et al. .... 439/27

**FOREIGN PATENT DOCUMENTS**

630102	11/1927	France	.....	439/21
A60477	4/1954	France	.....	439/21

*Primary Examiner*—Bruce W. Dunkins  
*Assistant Examiner*—Clare E. Heflin  
*Attorney, Agent, or Firm*—Darby & Darby

[57] **CLAIM**

The ornamental design for a rotatable modular connector for a telephone, as shown and described.

**DESCRIPTION**

FIG. 1 is a perspective view of the rotatable modular connector for a telephone showing my new design; FIG. 2 is a left side elevational view thereof, the right side being a mirror image; FIG. 3 is an end elevational view thereof; FIG. 4 is a top plan view thereof; FIG. 5 is a bottom plan view thereof; FIG. 6 is an opposite end elevational view thereof.

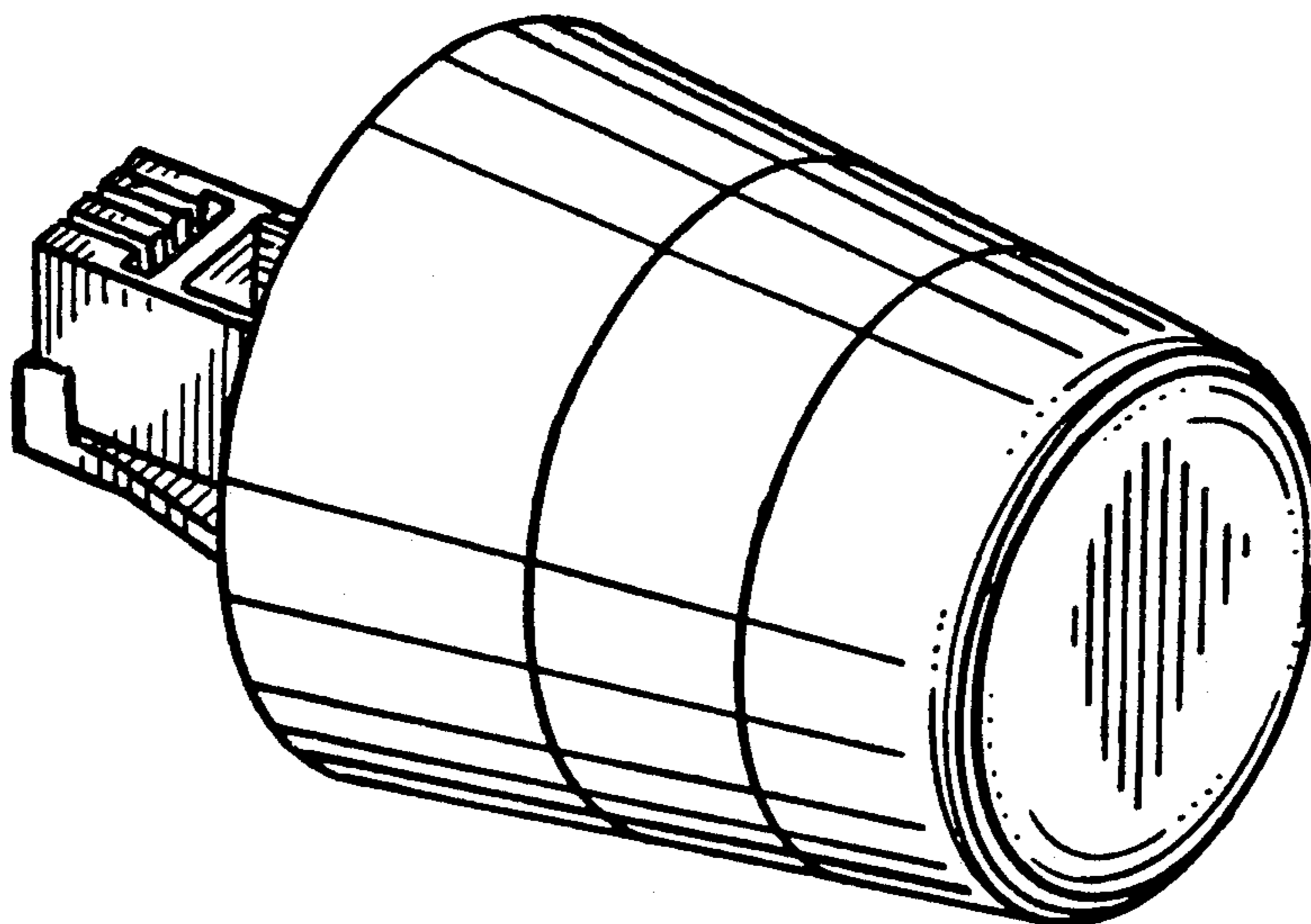


FIG. 1

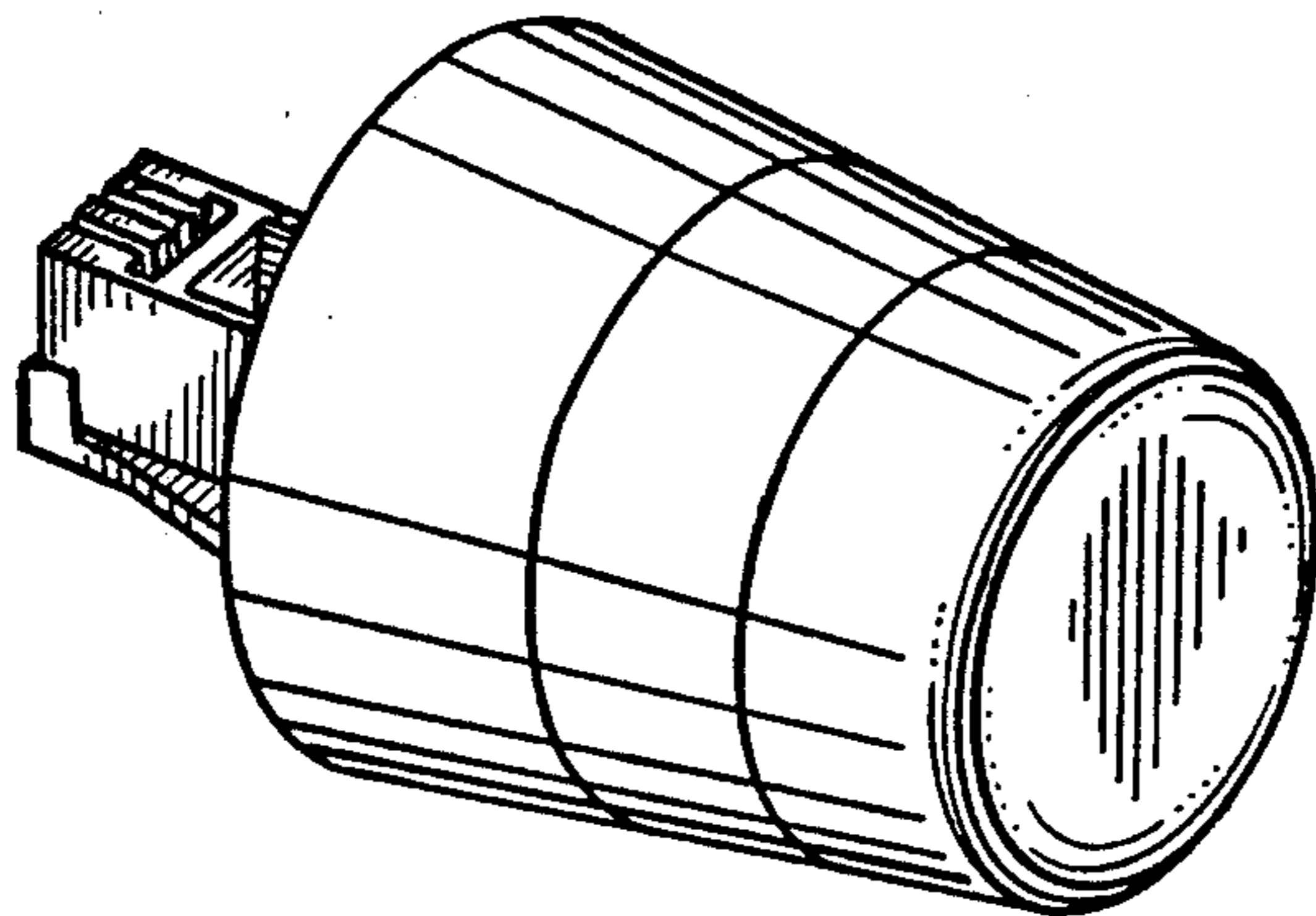


FIG. 6

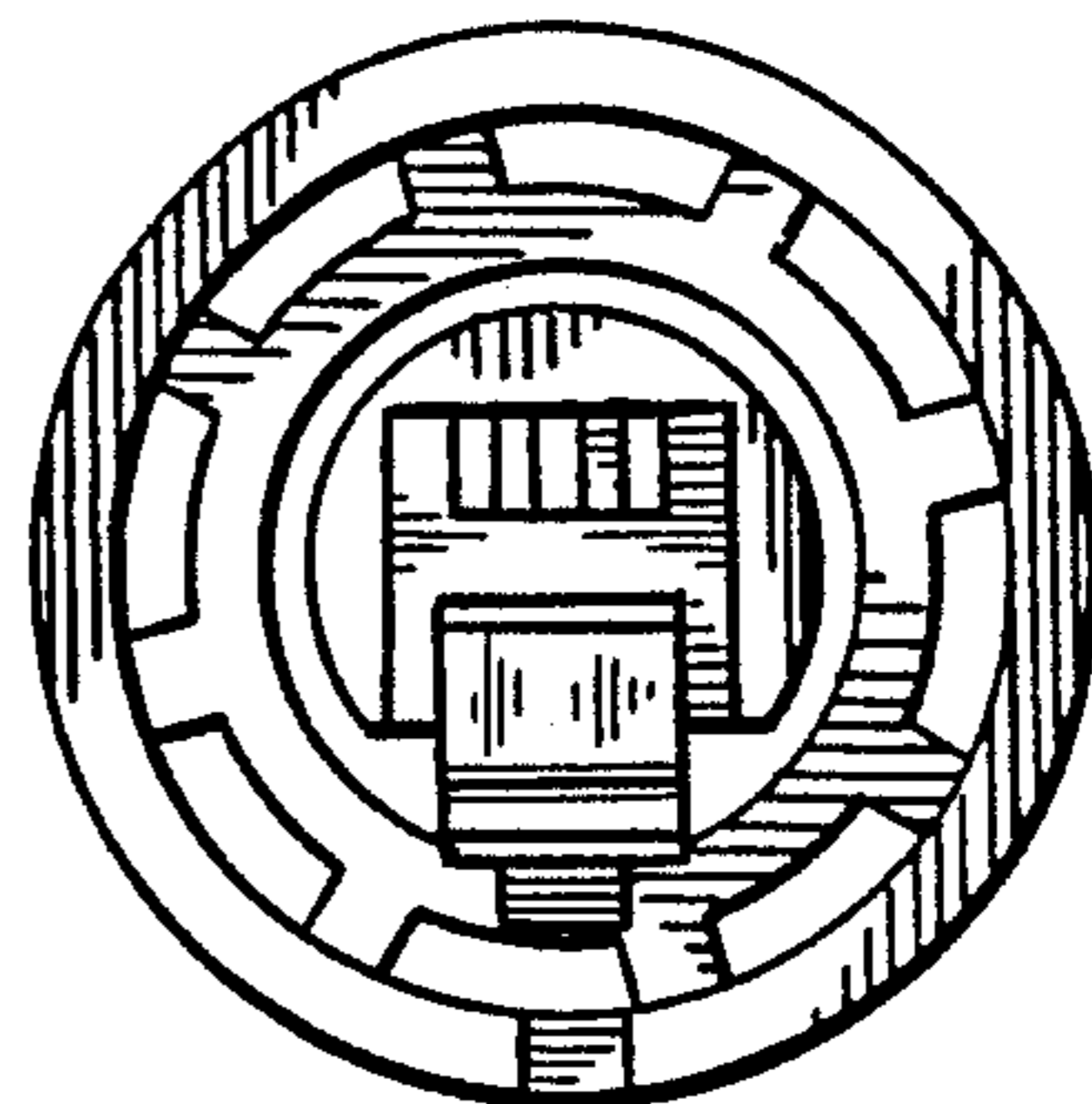


FIG. 2

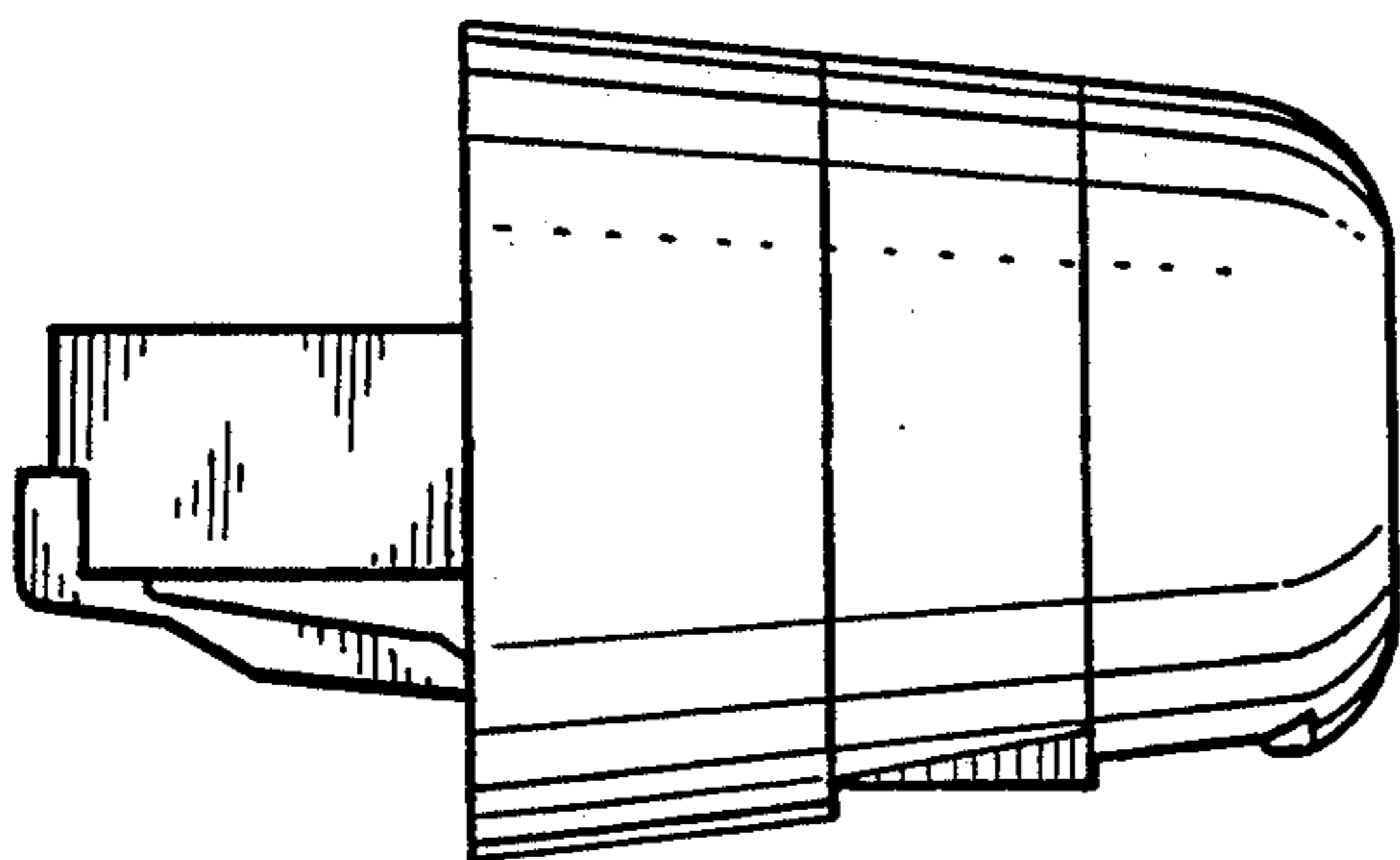


FIG. 3

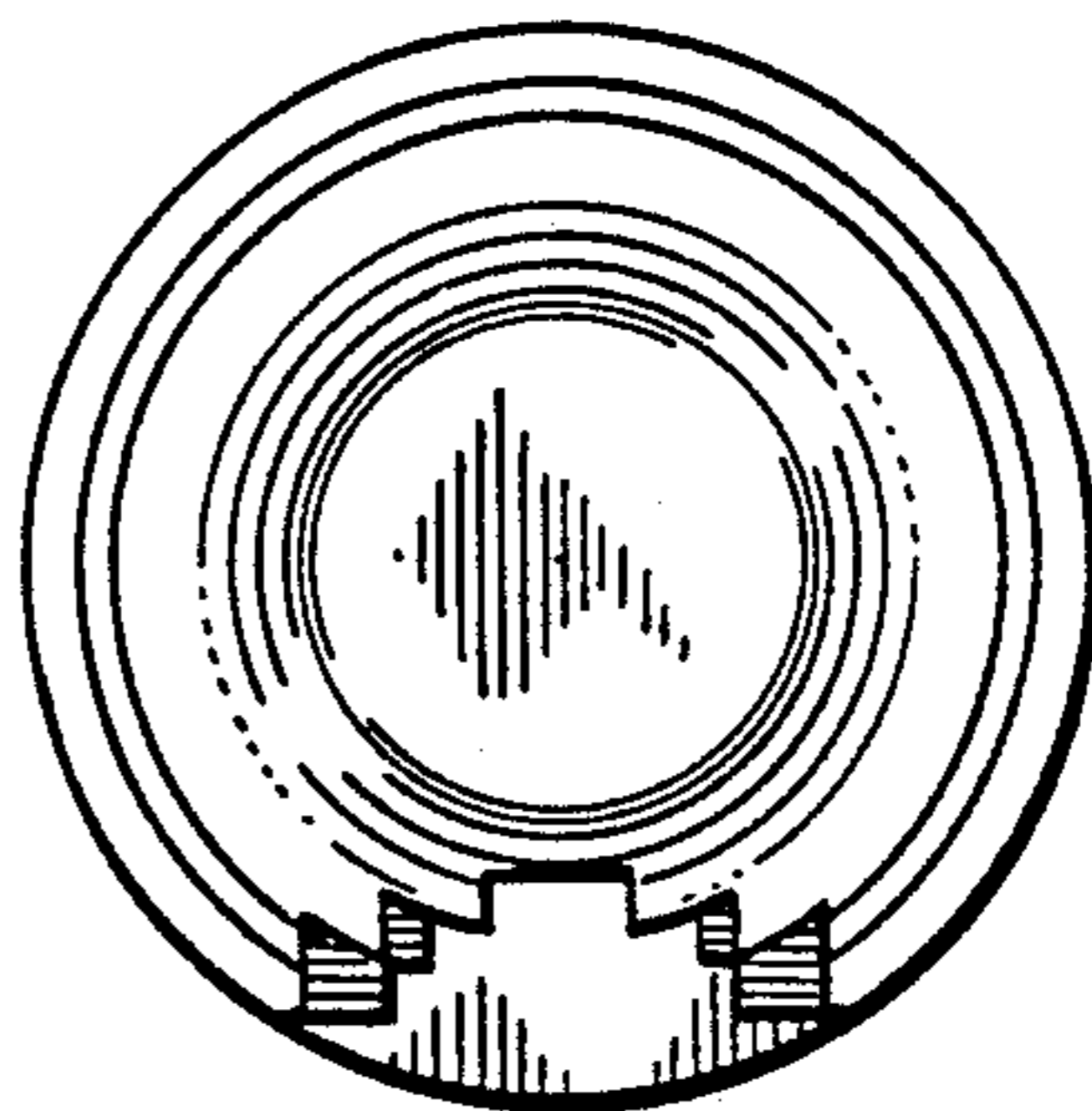


FIG. 4

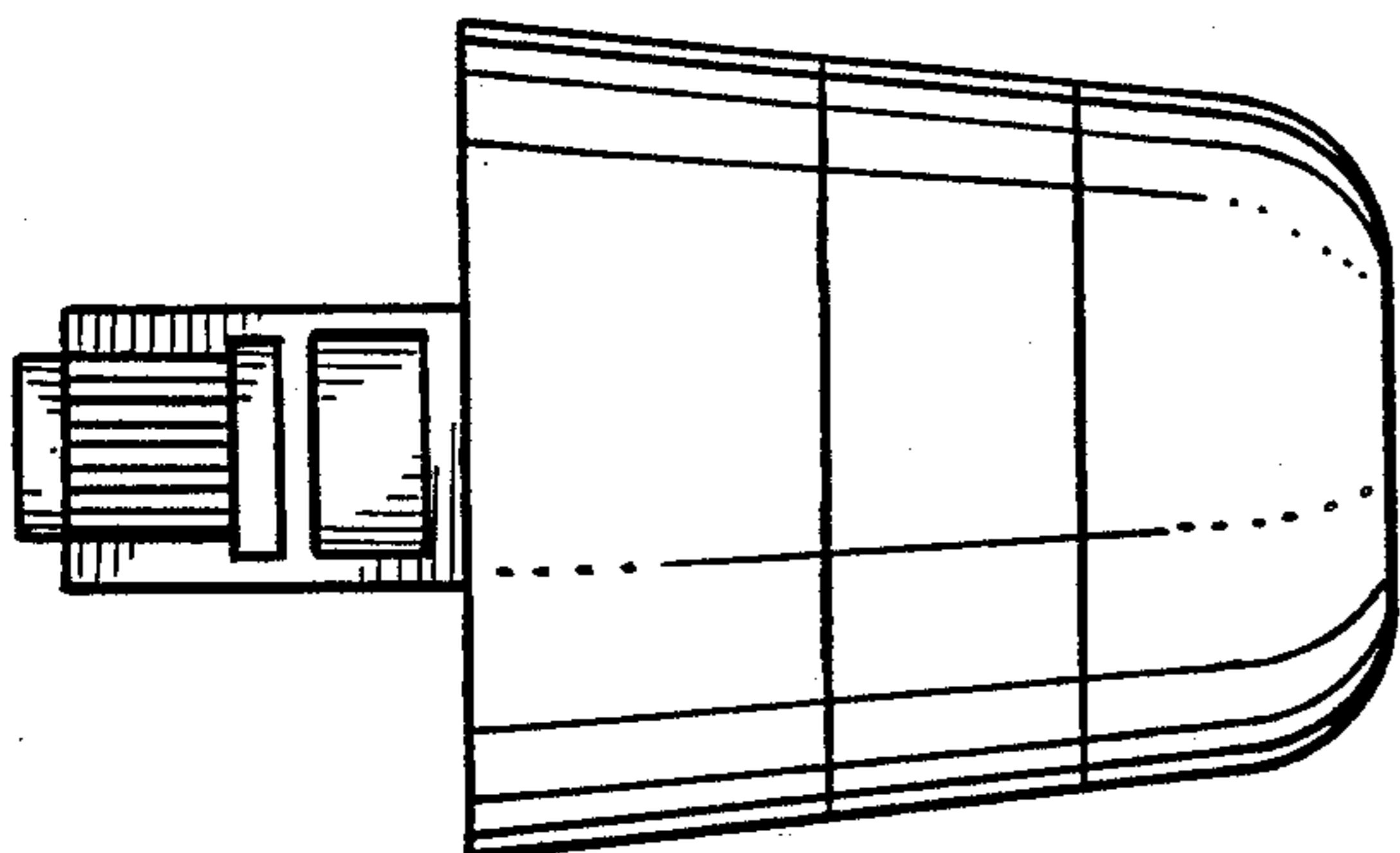


FIG. 5

