

[54] ACCESSORY FOR OPEN BED TRUCKS FOR SUPPORTING LIGHTS THEREON ABOVE THE CAB OF THE TRUCK

D. 295,084 4/1988 Weber D12/156
4,148,504 4/1979 Rushing D12/156
4,515,393 5/1985 Sauter 280/756

[76] Inventors: Gary A. Milby, 2372 Meadowfalls, Diamond Bar, Calif. 91765; Donald J. Kronmeyer, 6224 Plymouth Ct., Yorba Linda, Calif. 92686

Primary Examiner—James M. Gandy
Attorney, Agent, or Firm—G. Donald Weber, Jr.

[**] Term: 14 Years

[57] CLAIM

The ornamental design for an accessory for open bed trucks for supporting lights thereon above the cab of the truck, as shown.

[21] Appl. No.: 33,638

DESCRIPTION

[22] Filed: Apr. 3, 1987

[52] U.S. Cl. D12/156

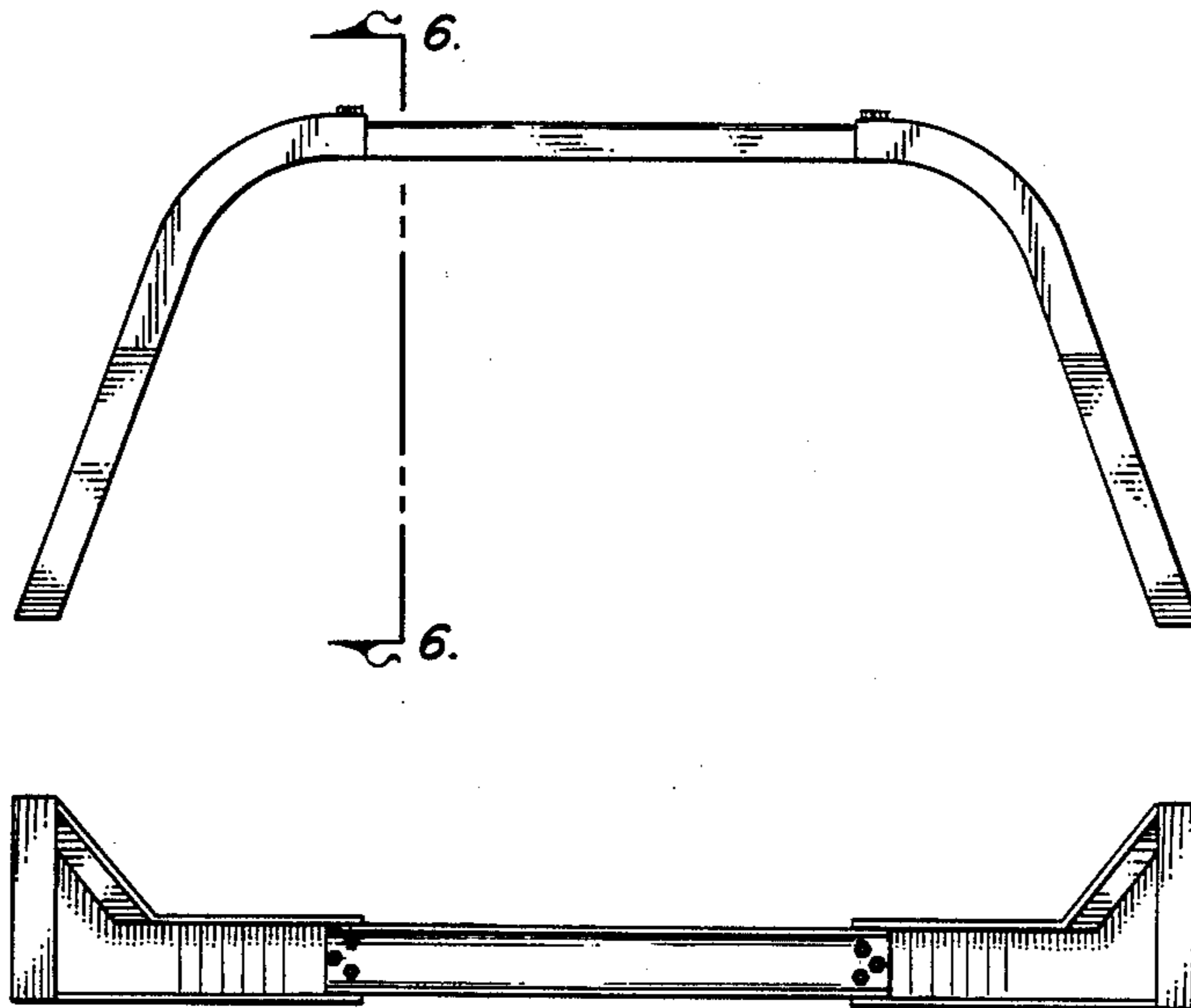
[58] Field of Search D12/156, 190; 296/99.1; 280/756

FIG. 1 is a front elevation view of an accessory for open bed trucks for supporting lights thereon above the cab of the truck showing our new design; FIG. 2 is a top plan view thereof; FIG. 3 is a rear elevation view thereof; FIG. 4 is a bottom plan view thereof; FIG. 5 is a side elevation view thereof; and FIG. 6 is a sectional elevation view thereof taken along line 6—6 in FIG. 3.

[56] References Cited

U.S. PATENT DOCUMENTS

D. 269,008 5/1983 Kostanecki et al. D12/156



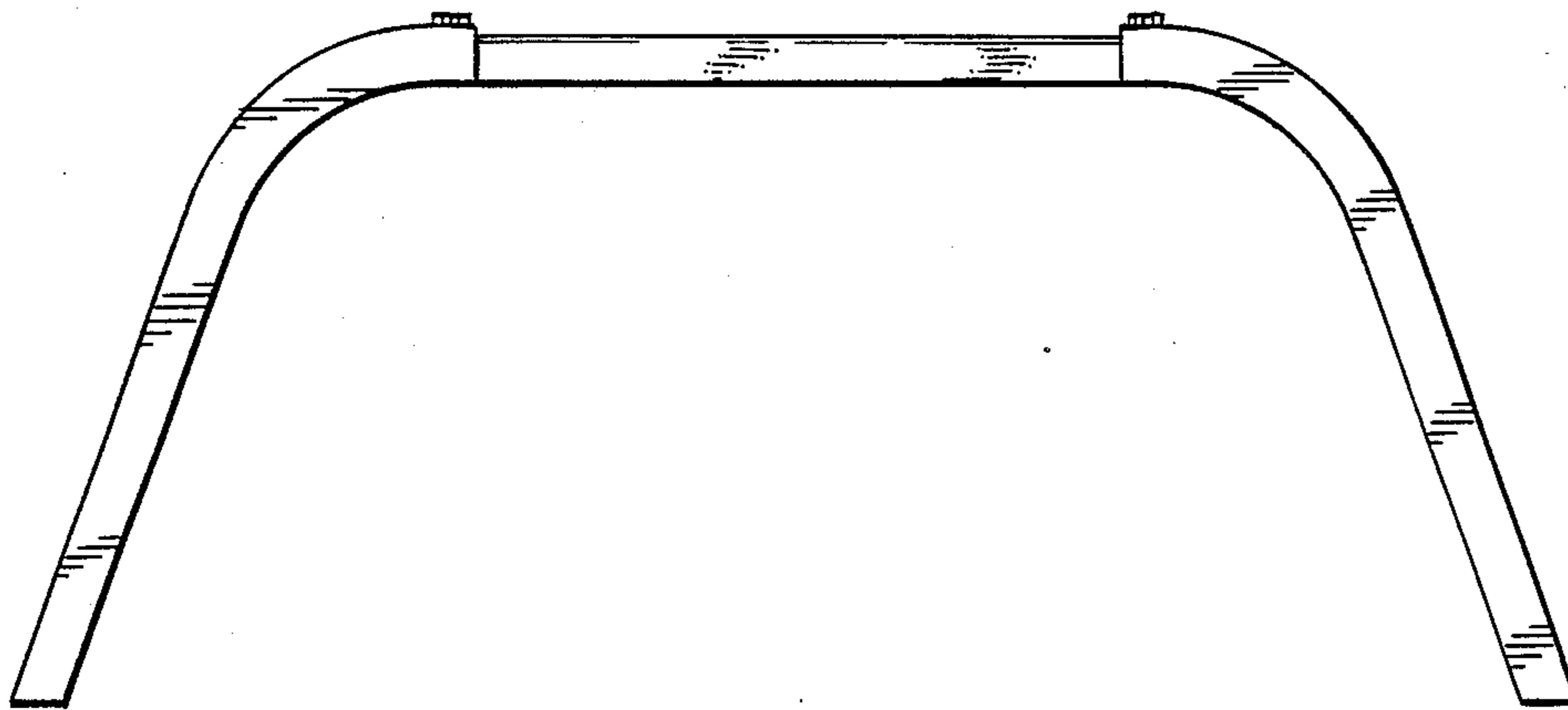


FIG. 1

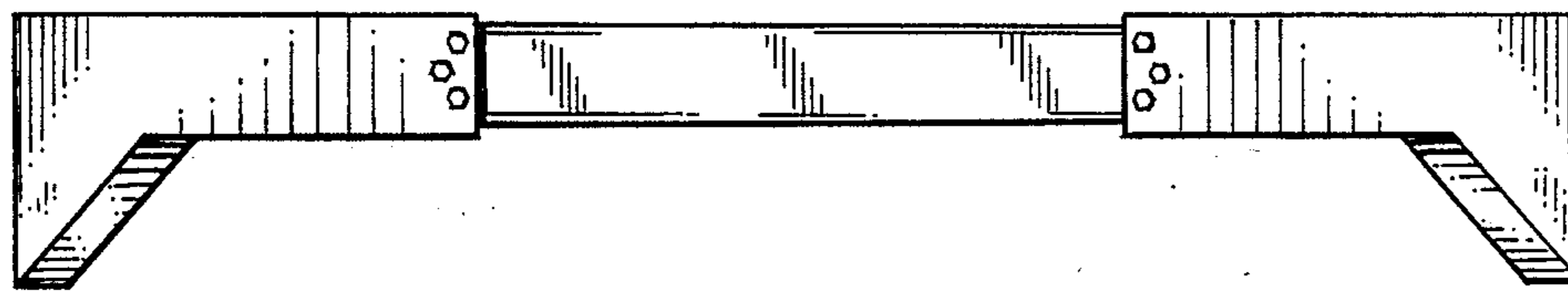


FIG. 2

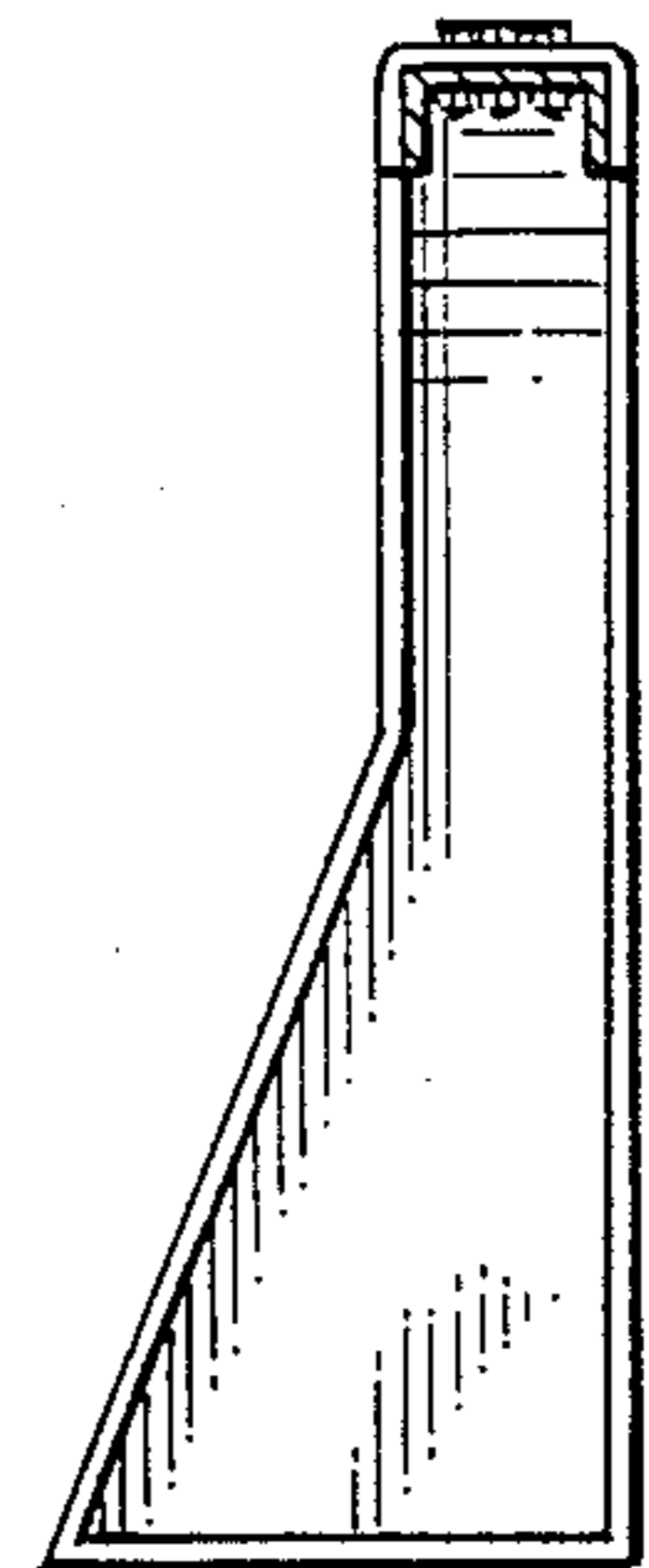


FIG. 6

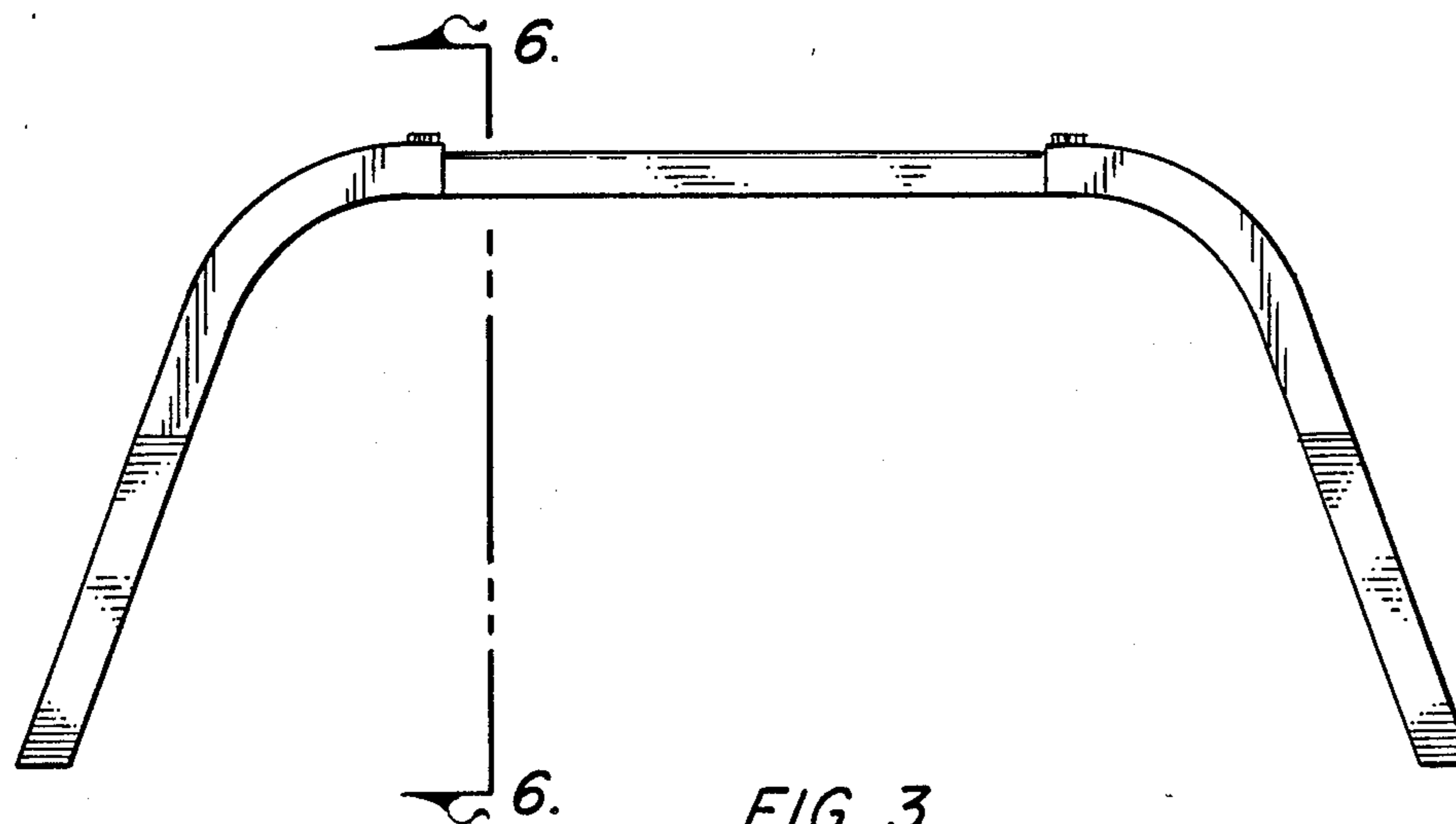


FIG. 3

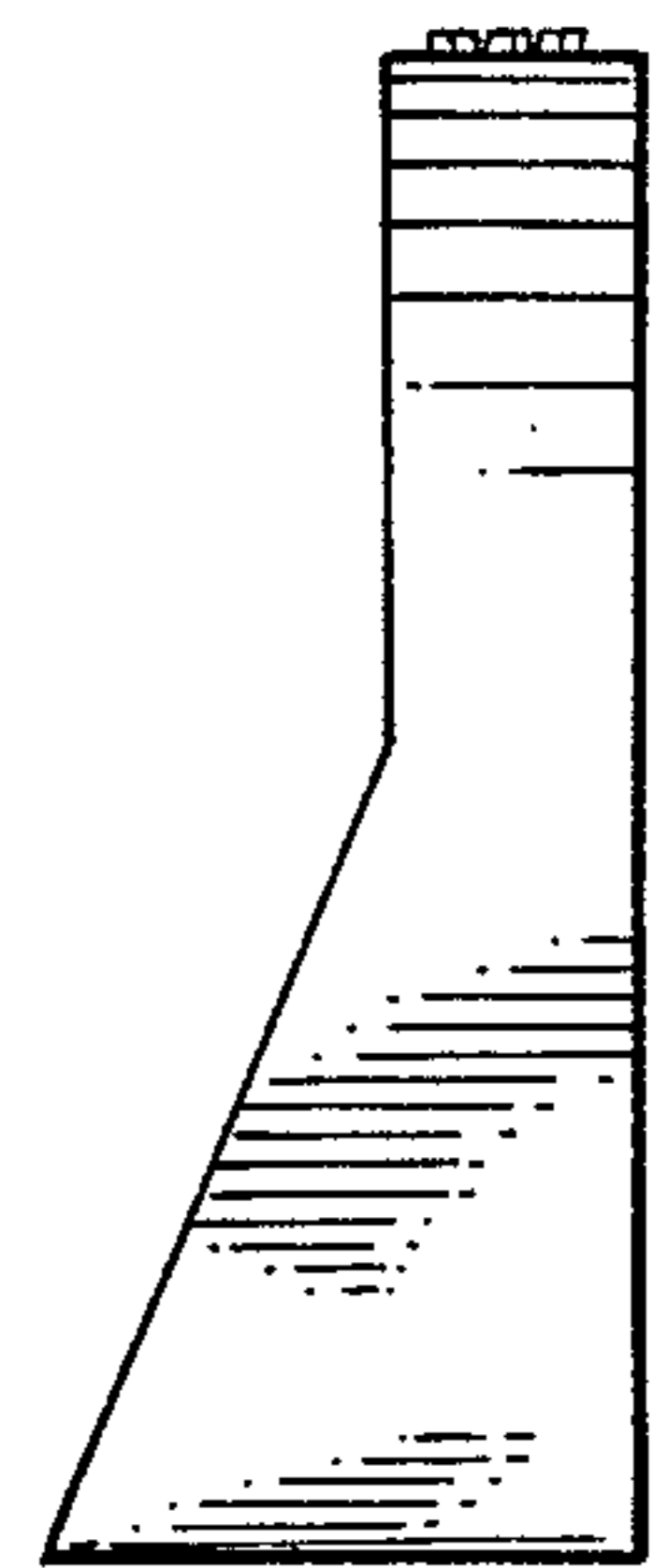


FIG. 5

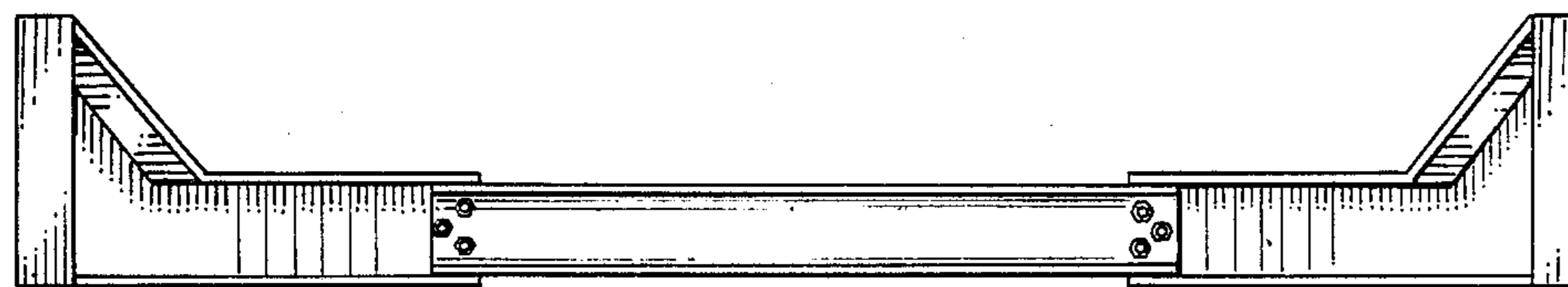


FIG. 4