

[54] STOWABLE TRAY FOR A COLLAPSIBLE STROLLER

[75] Inventors: Louis M. Kohus; John V. Mariol, both of Cincinnati, Ohio; David Saint, Elverson, Pa.

[73] Assignee: Graco Metal Products Inc., Elverson, Pa.

[**] Term: 14 Years

[21] Appl. No.: 38,802

[22] Filed: Apr. 14, 1987

[52] U.S. Cl. D12/133

[58] Field of Search D12/133, 129; 280/70.3, 280/87.02 W; 297/5, 6, 194, 155; 272/70.3; D7/37; 135/67

[56] References Cited

U.S. PATENT DOCUMENTS

3,729,037 4/1973 Dare et al. D7/37
4,708,274 11/1987 Roche 135/67

Primary Examiner—James M. Gandy
Assistant Examiner—Kay H. Chin

Attorney, Agent, or Firm—Panitch Schwarze Jacobs & Nadel

[57] CLAIM

The ornamental design for a stowable tray for a collapsible stroller, as shown and described.

DESCRIPTION

FIG. 1 is a front perspective view of a stowable tray for a collapsible stroller showing our new design, the broken lines are for illustrative purposes only and form no part of the claimed design;
FIG. 2 is an enlarged front perspective view thereof;
FIG. 3 is an enlarged top plan view thereof;
FIG. 4 is an enlarged front elevational view thereof;
FIG. 5 is an enlarged left side elevational view thereof;
FIG. 6 is an enlarged right side elevational view thereof;
FIG. 7 is an enlarged bottom plan view thereof;
FIG. 8 is an enlarged rear elevational view thereof; and
FIG. 9 is a bottom plan view of a second embodiment of the stowable tray for a collapsible stroller, the undisclosed top, front, sides and rear views of the second embodiment are identical to the first embodiment as shown in FIGS. 2, 3, 4, 5 6 and 8.

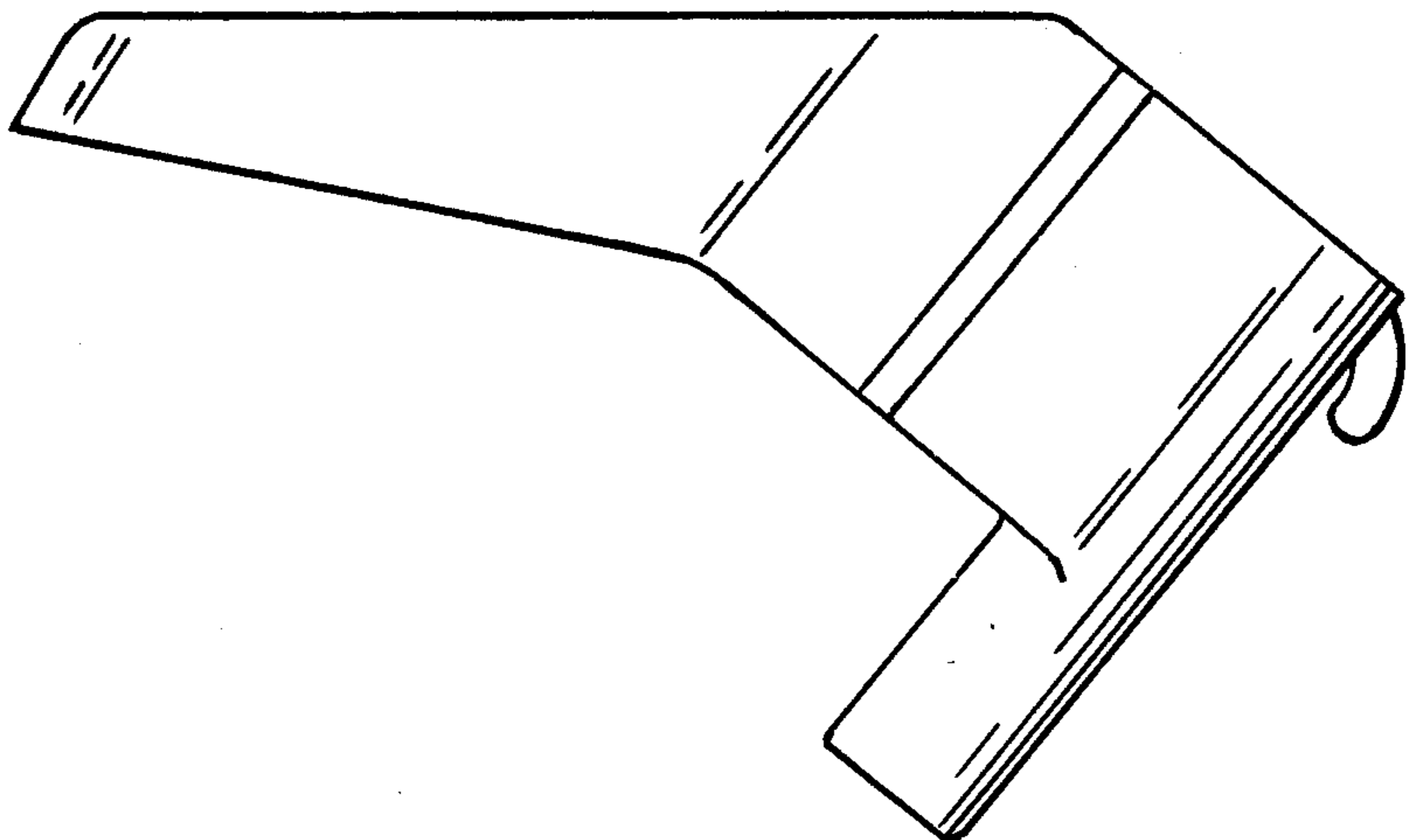
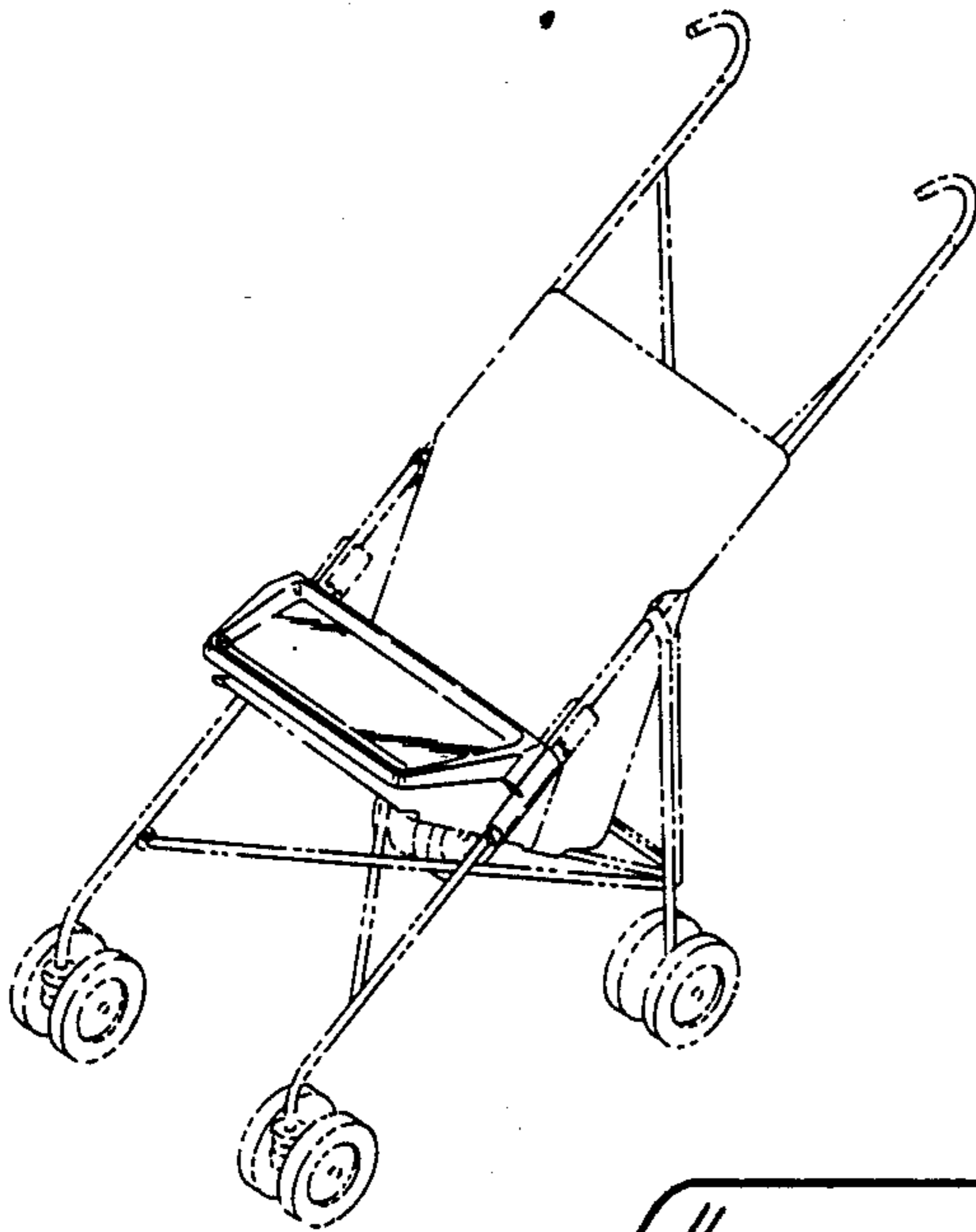
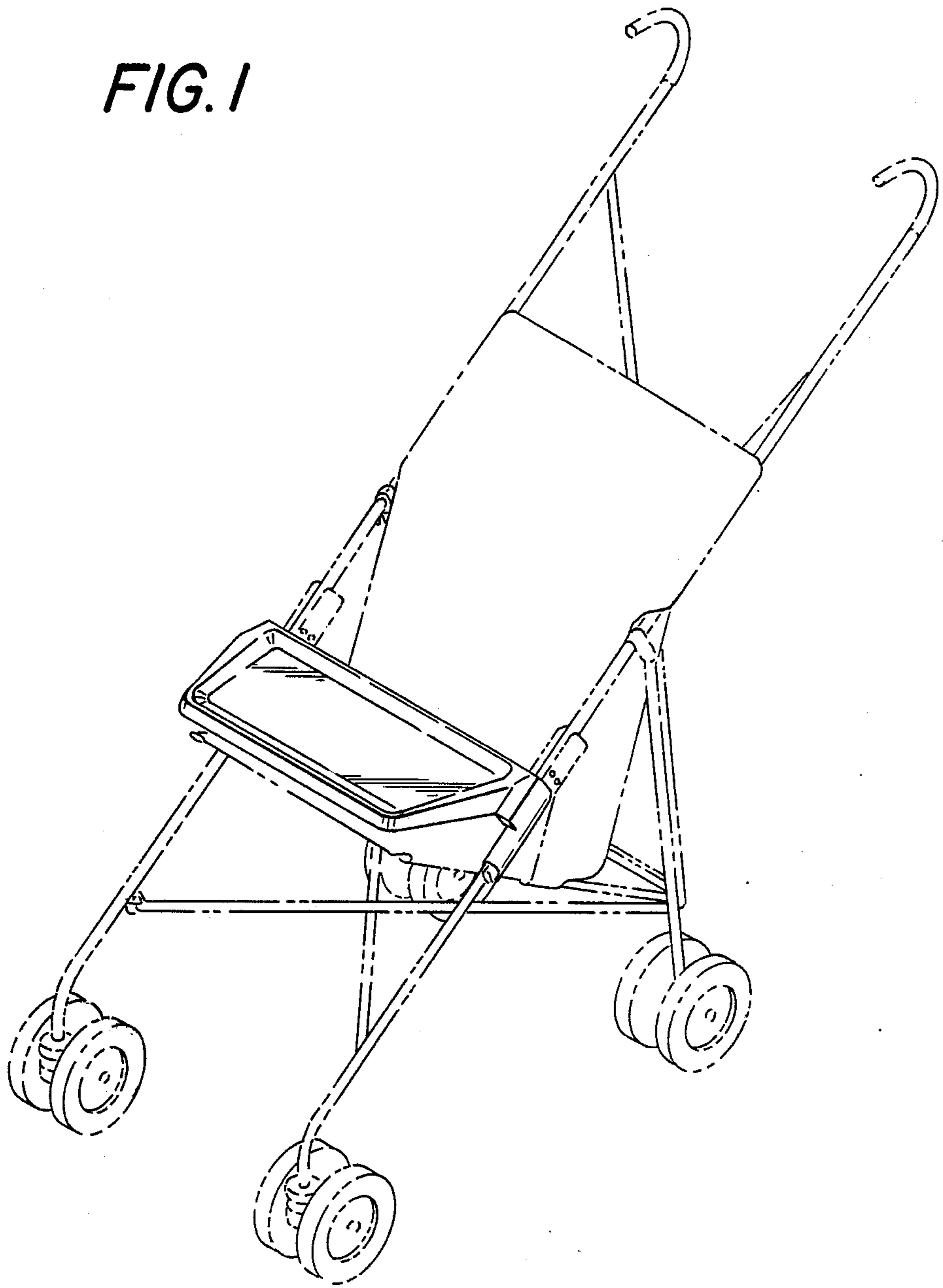
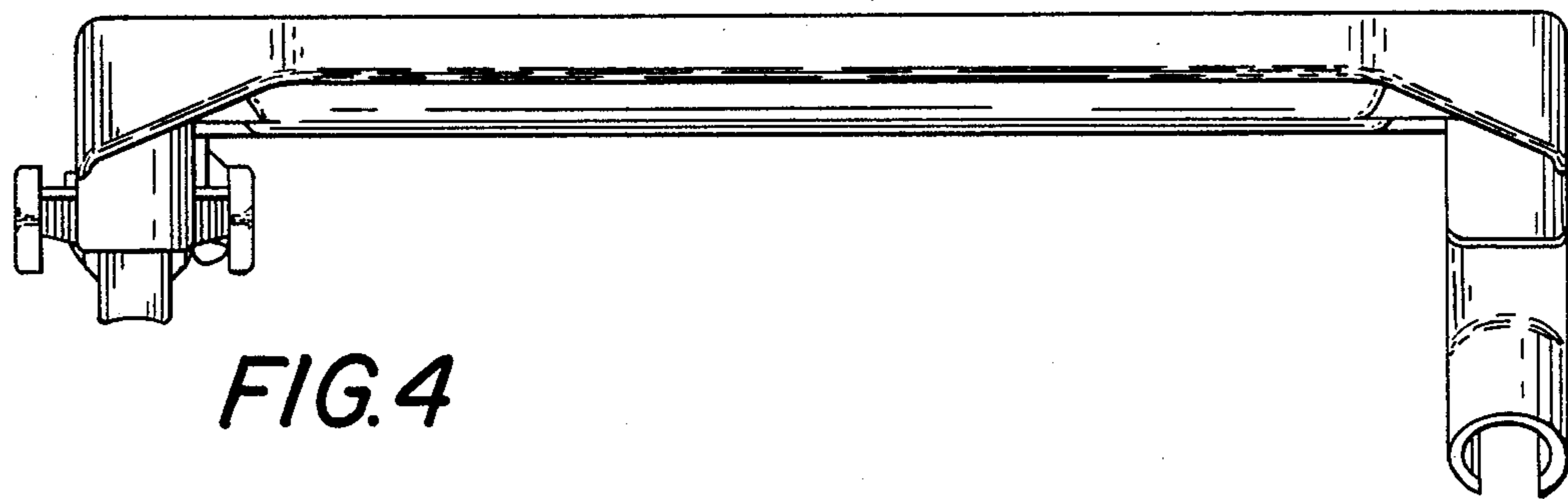
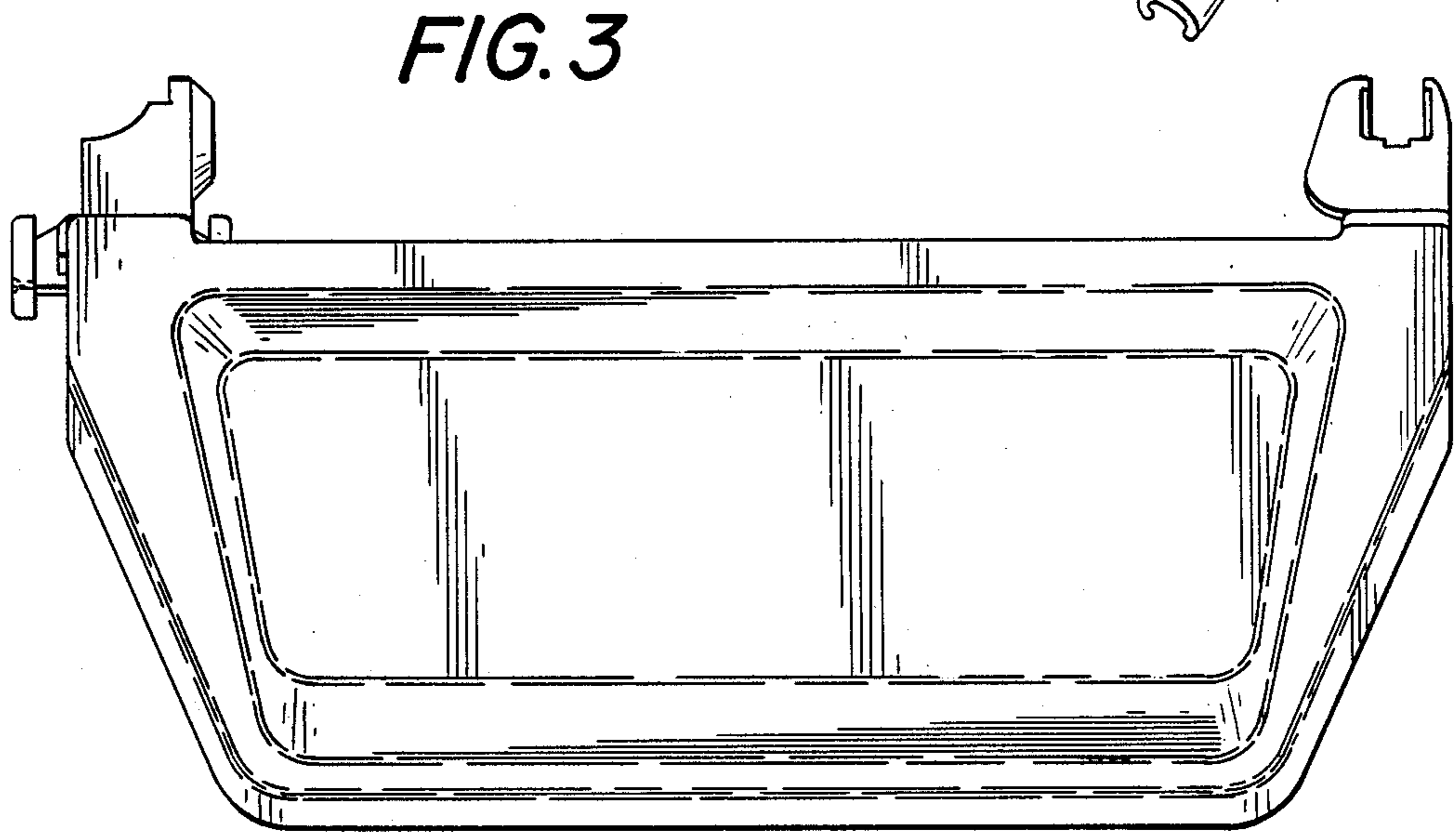
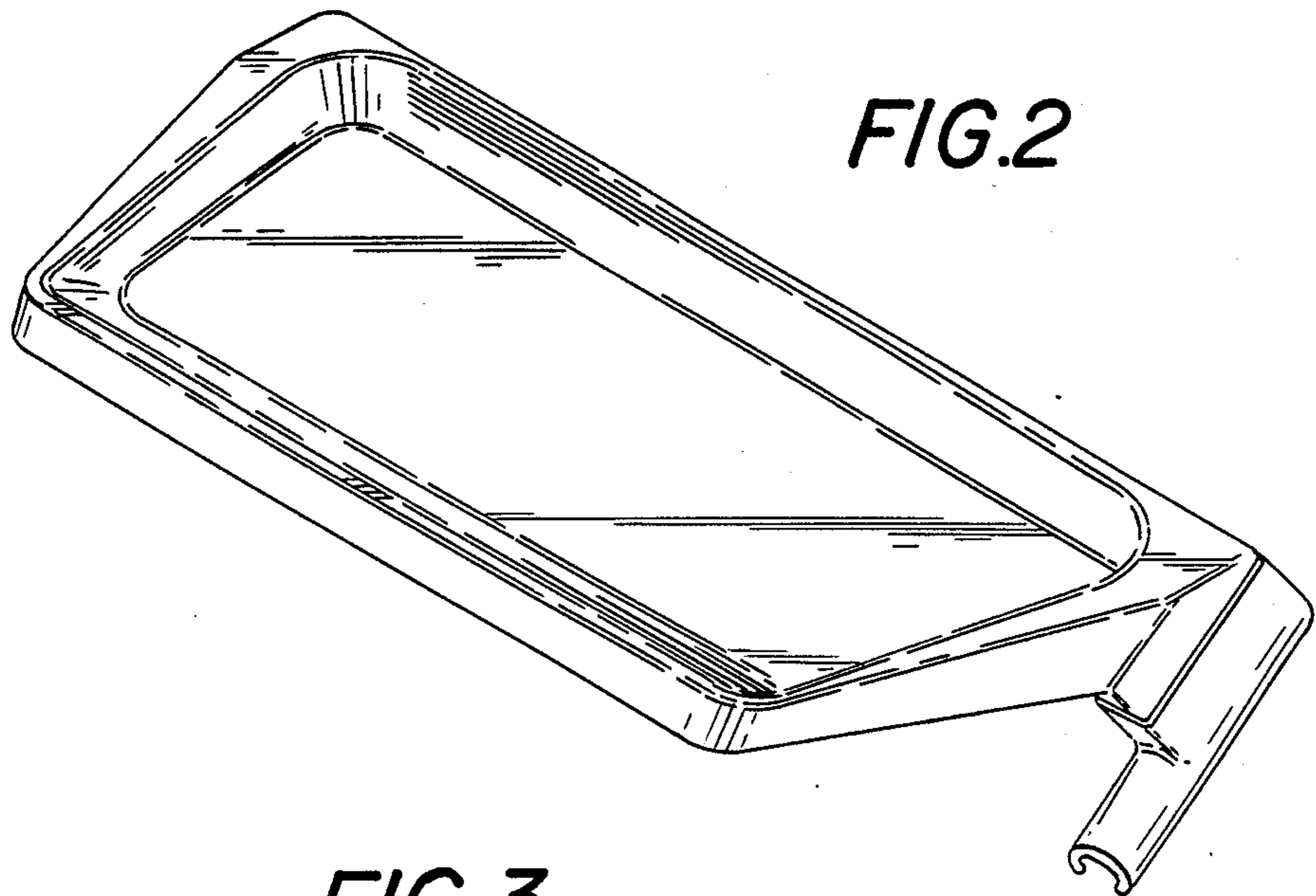


FIG. 1





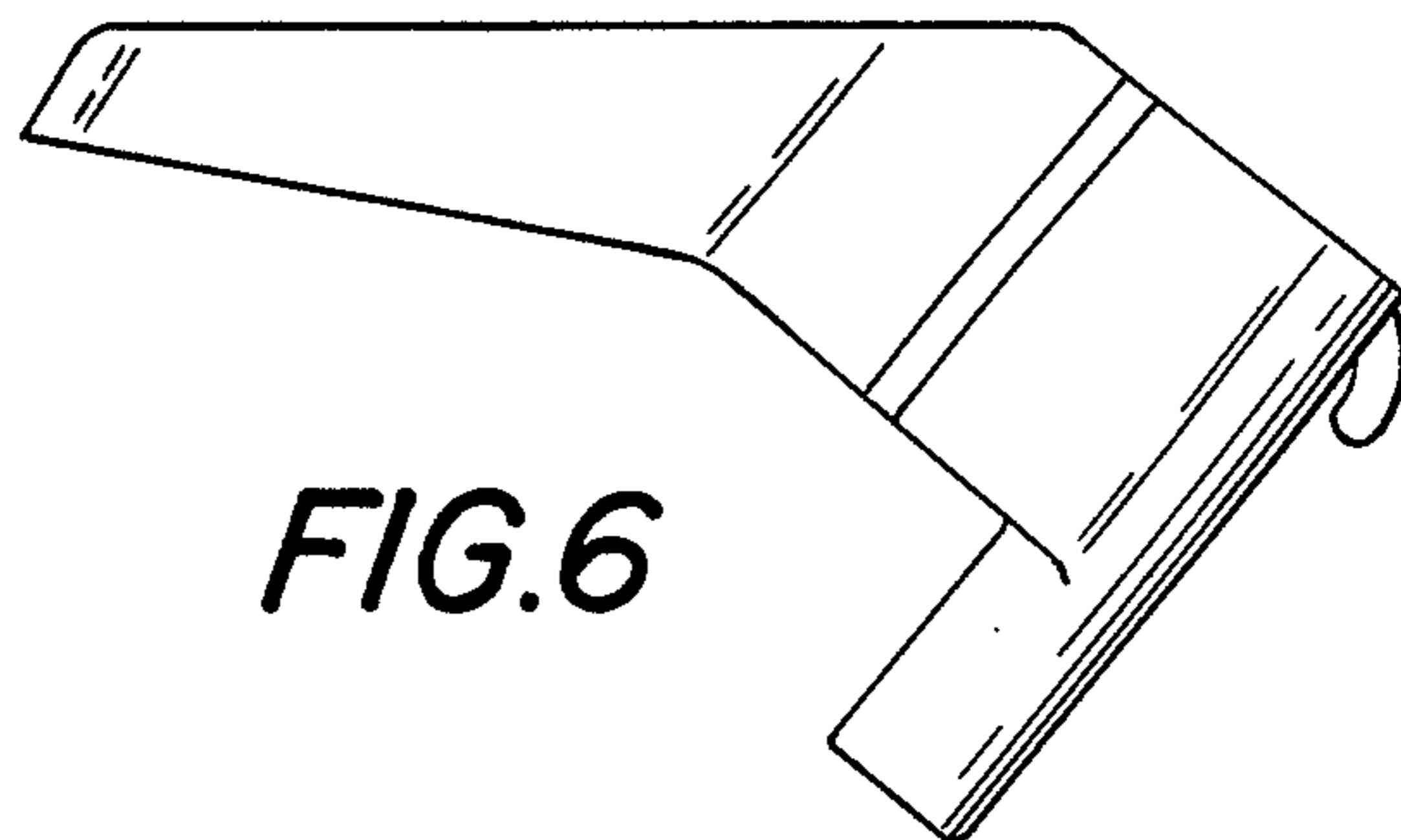
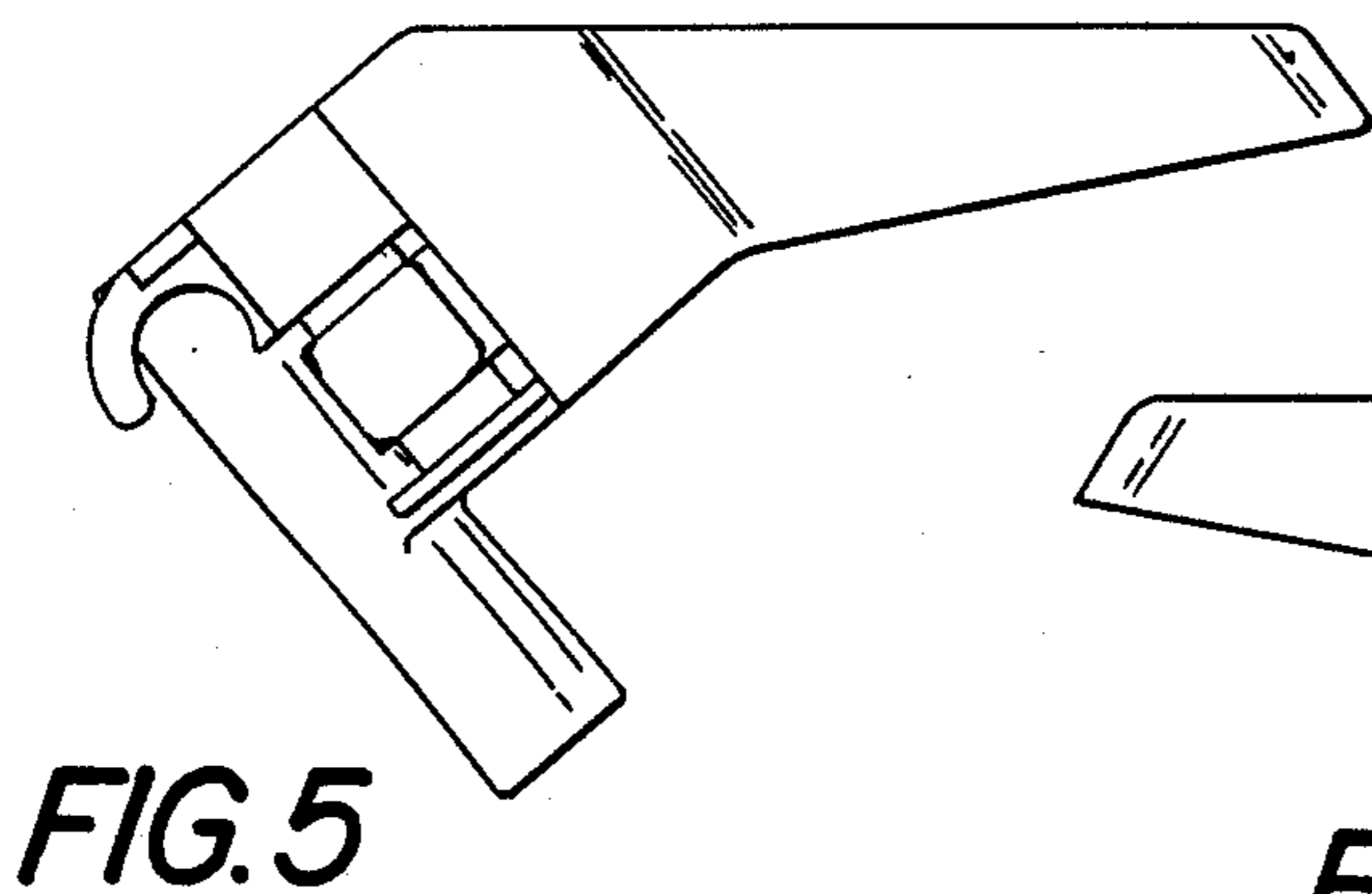
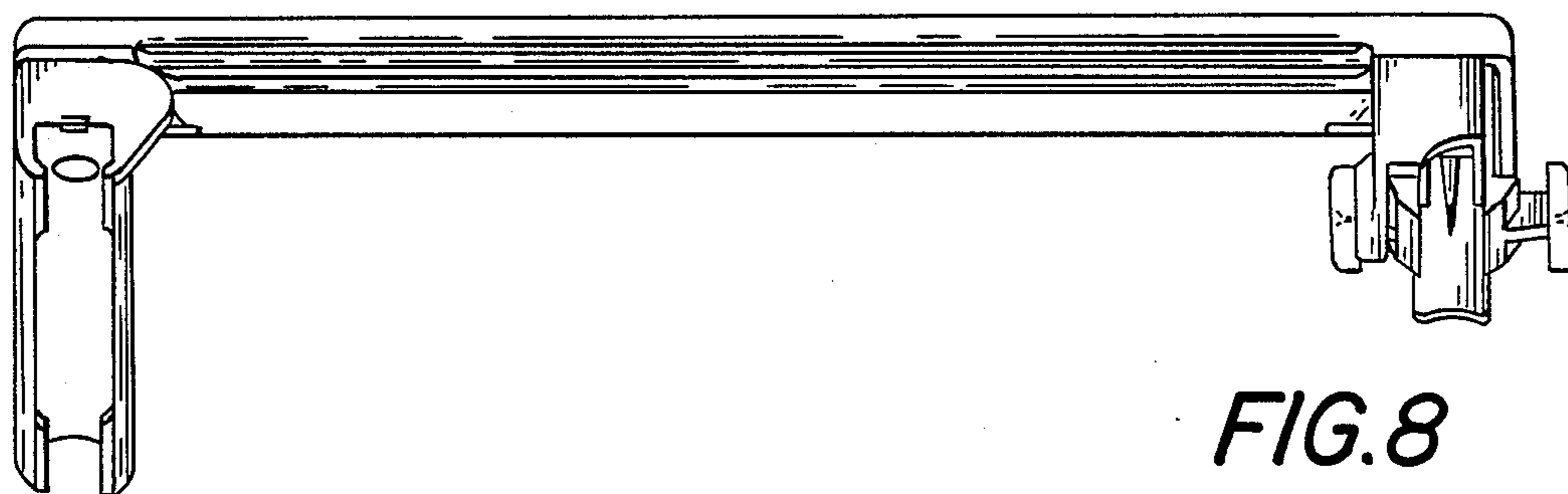
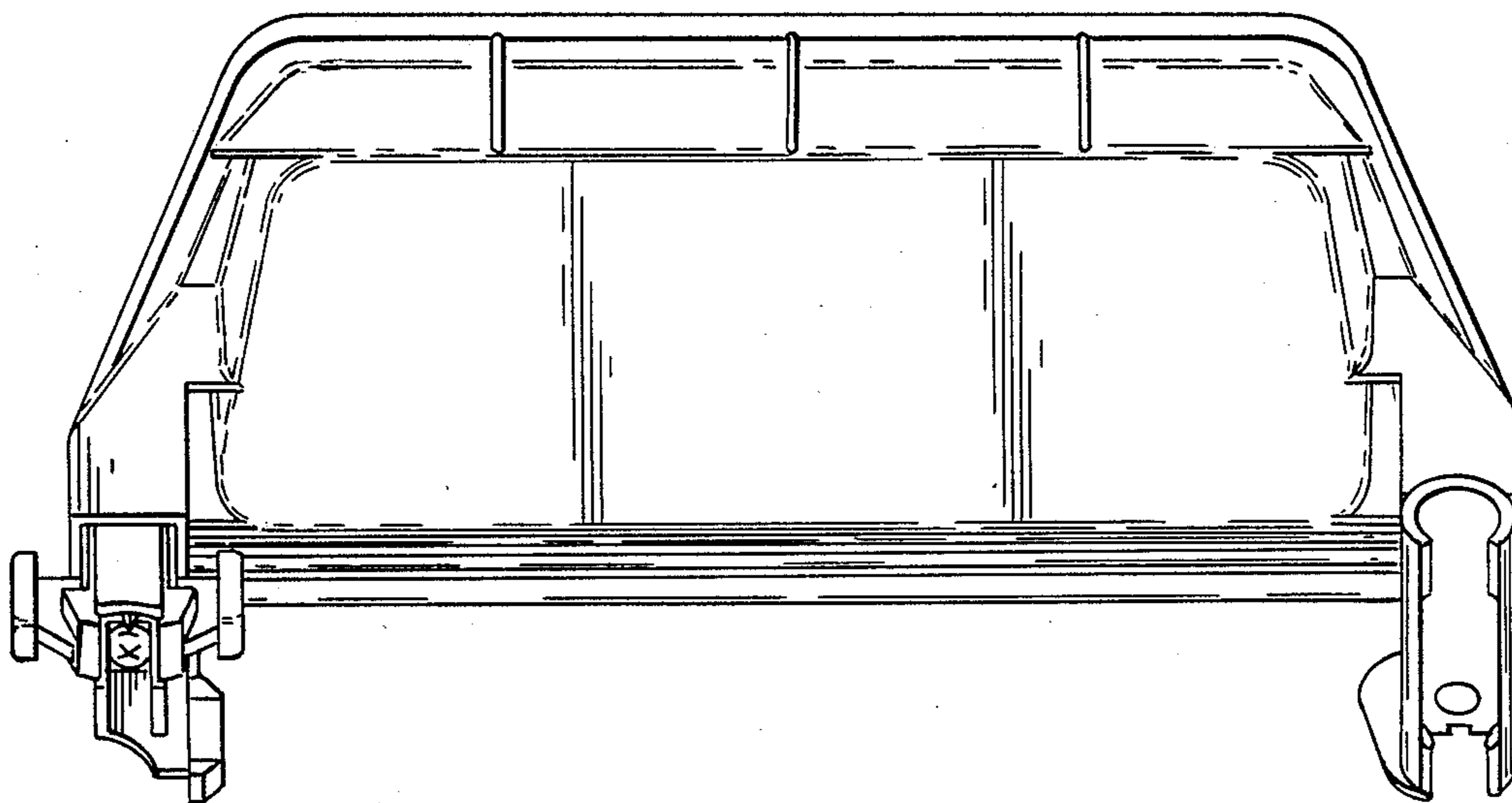


FIG. 7



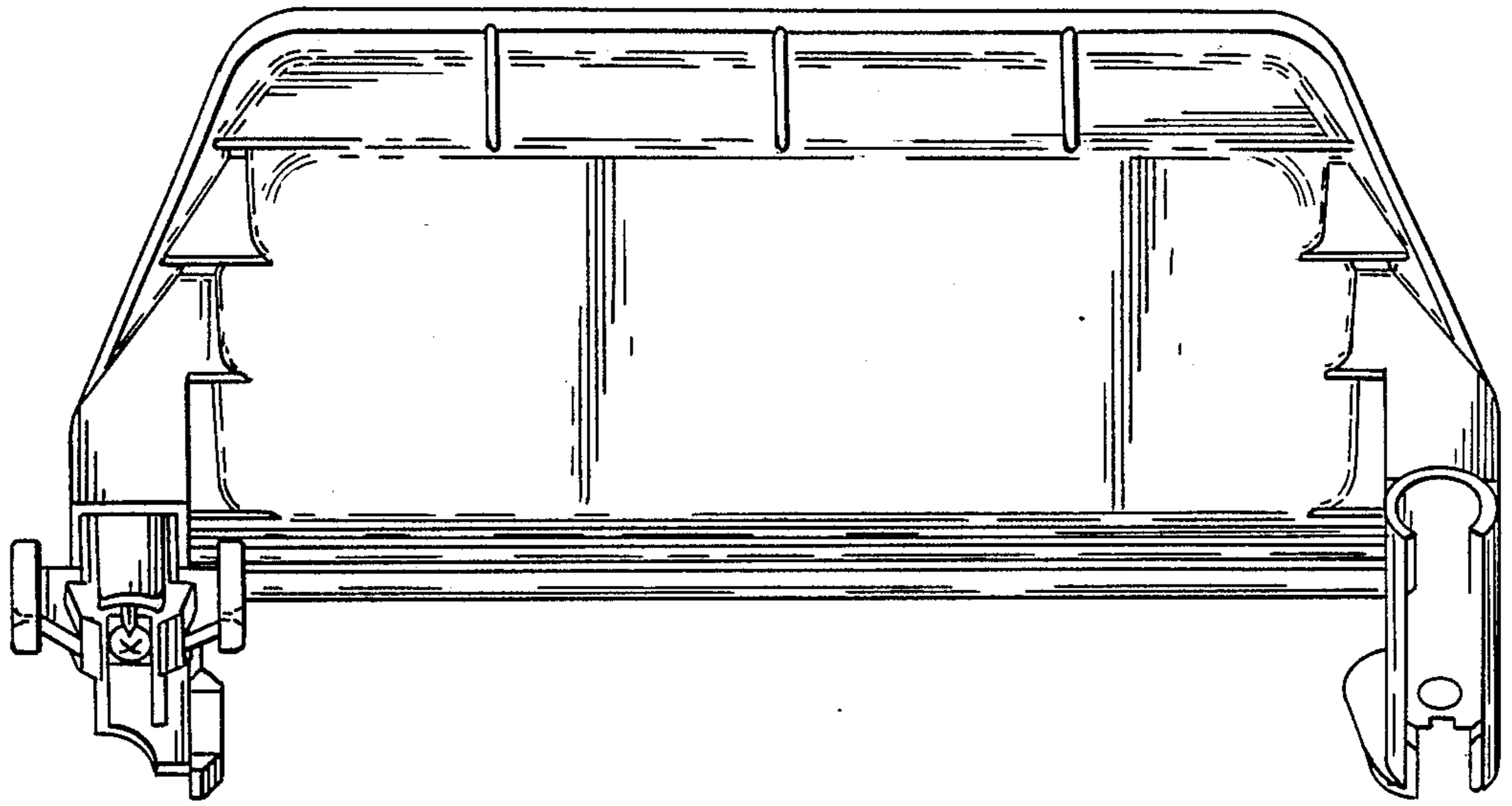


FIG. 9