

United States Patent [19]

Kikuchi et al.

[11] Patent Number: **Des. 305,520**

[45] Date of Patent: **** Jan. 16, 1990**

[54] **MOTORCYCLE**

[75] Inventors: **Junji Kikuchi; Nobuyuki Shiwa; Yuji Watanuki**, all of Wako, Japan

[73] Assignee: **Honda Giken Kogyo Kabushiki Kaisha**, Tokyo, Japan

[**] Term: **14 Years**

[21] Appl. No.: **56,522**

[22] Filed: **May 29, 1987**

[30] **Foreign Application Priority Data**

Dec. 1, 1986 [JP] Japan 61-47511
[52] U.S. Cl. **D12/110**
[58] Field of Search D12/110; 180/219, 220

[56] **References Cited**
PUBLICATIONS

Cycle World, 10/85, p. 46, Yamaha XT550 Motorcycle.

Primary Examiner—James M. Gandy
Assistant Examiner—Melody Brown
Attorney, Agent, or Firm—Kane, Dalsimer, Sullivan, Kurucz, Levy, Eisele and Richard

[57] **CLAIM**

The ornamental design for a motorcycle, as shown.

DESCRIPTION

FIG. 1 is a front perspective view of a motorcycle showing our new design;
FIG. 2 is a right side elevational view thereof;
FIG. 3 is a left side elevational view thereof;
FIG. 4 is a top plan view thereof;
FIG. 5 is a bottom view thereof;
FIG. 6 is a rear perspective view thereof; and
FIG. 7 is a perspective view thereof.

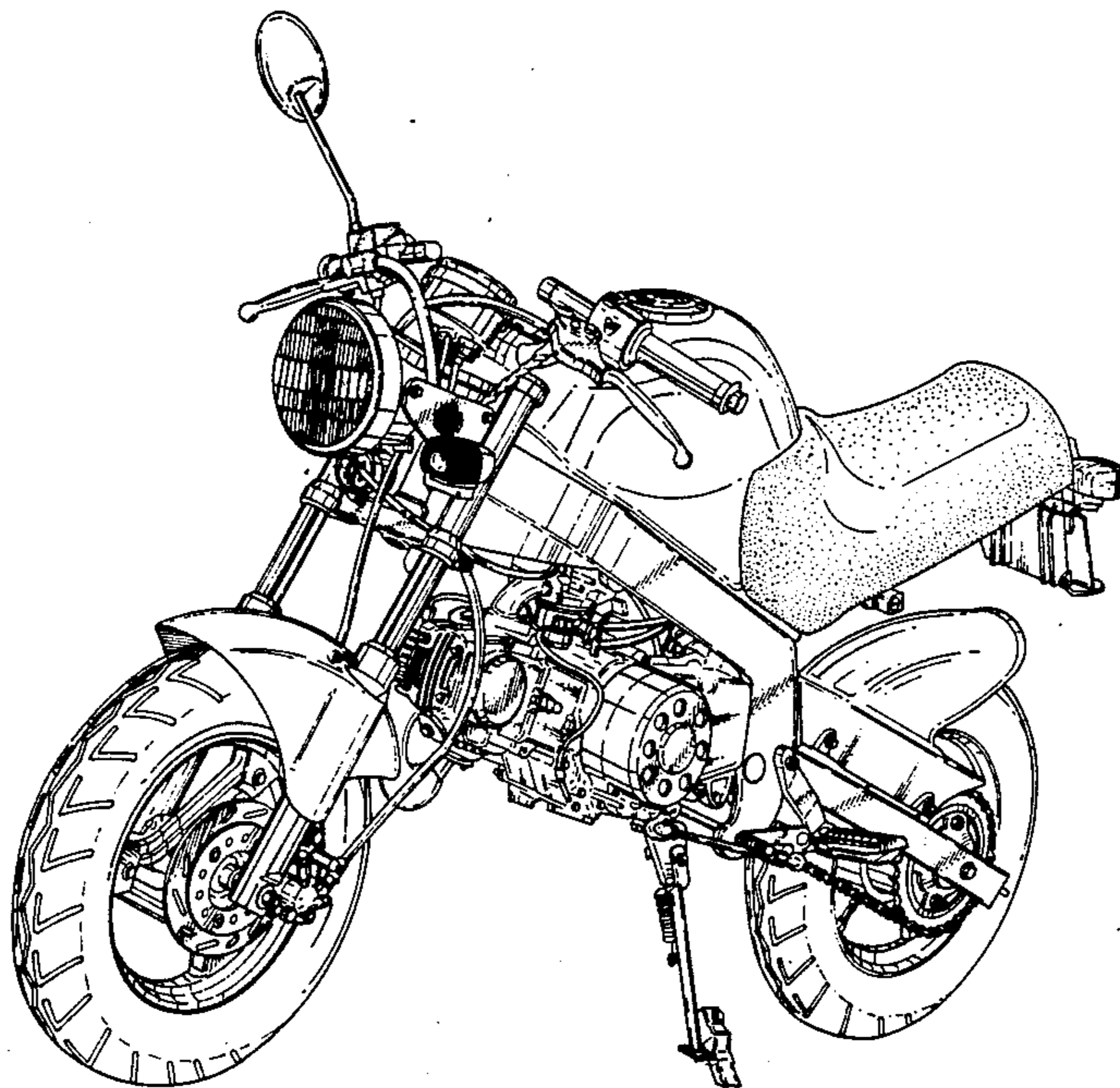


FIG. 1

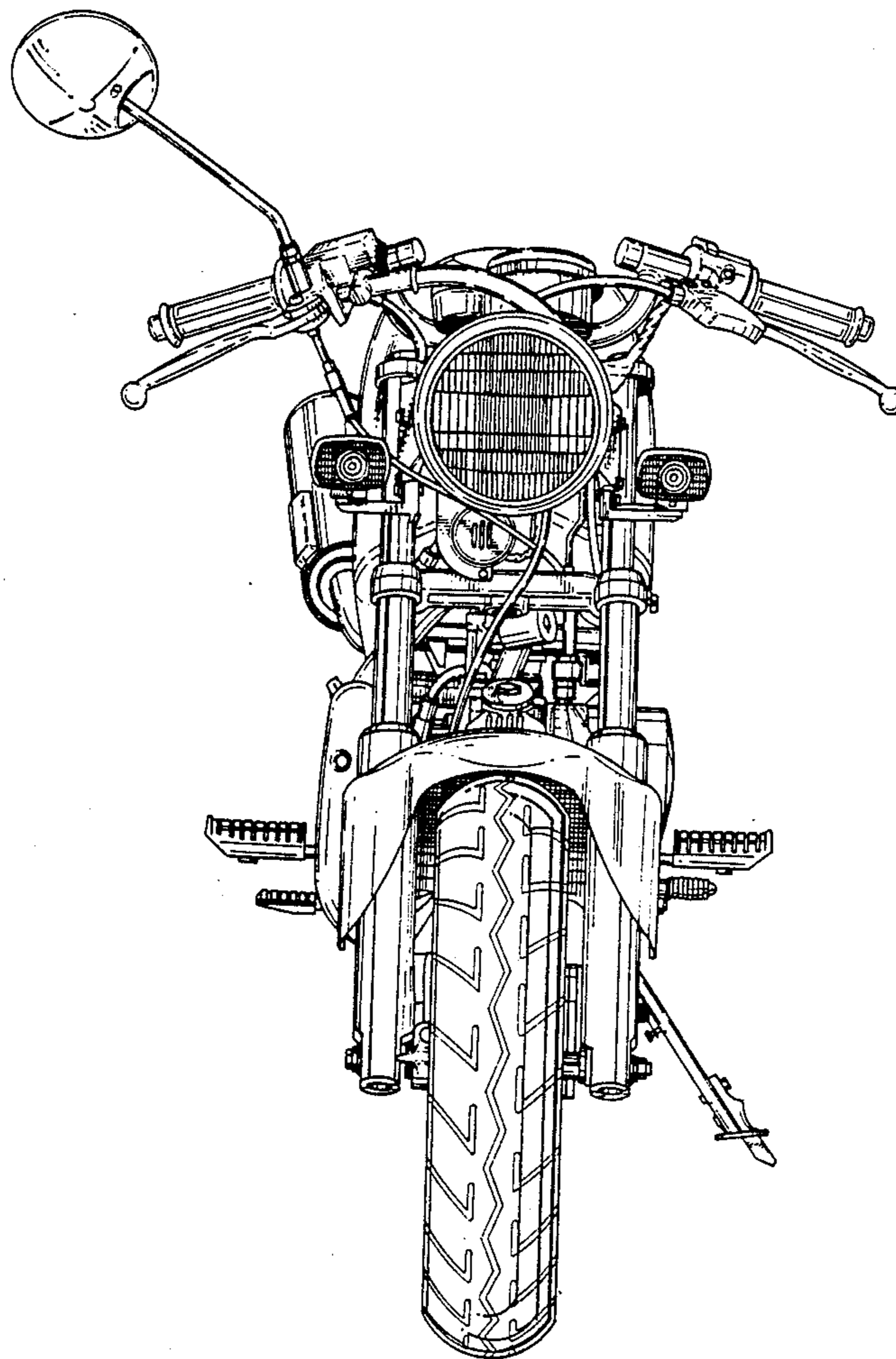


FIG. 2

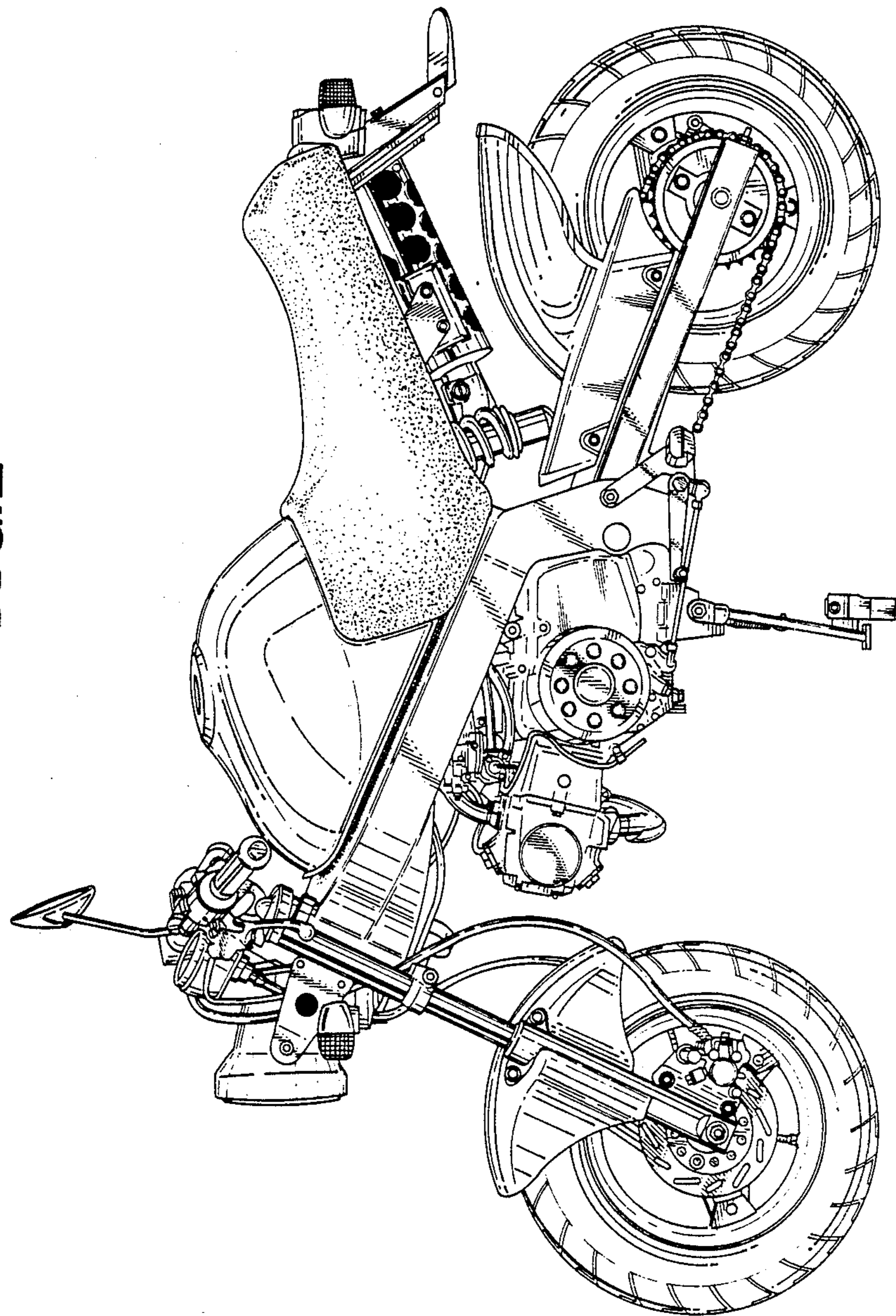


FIG. 3

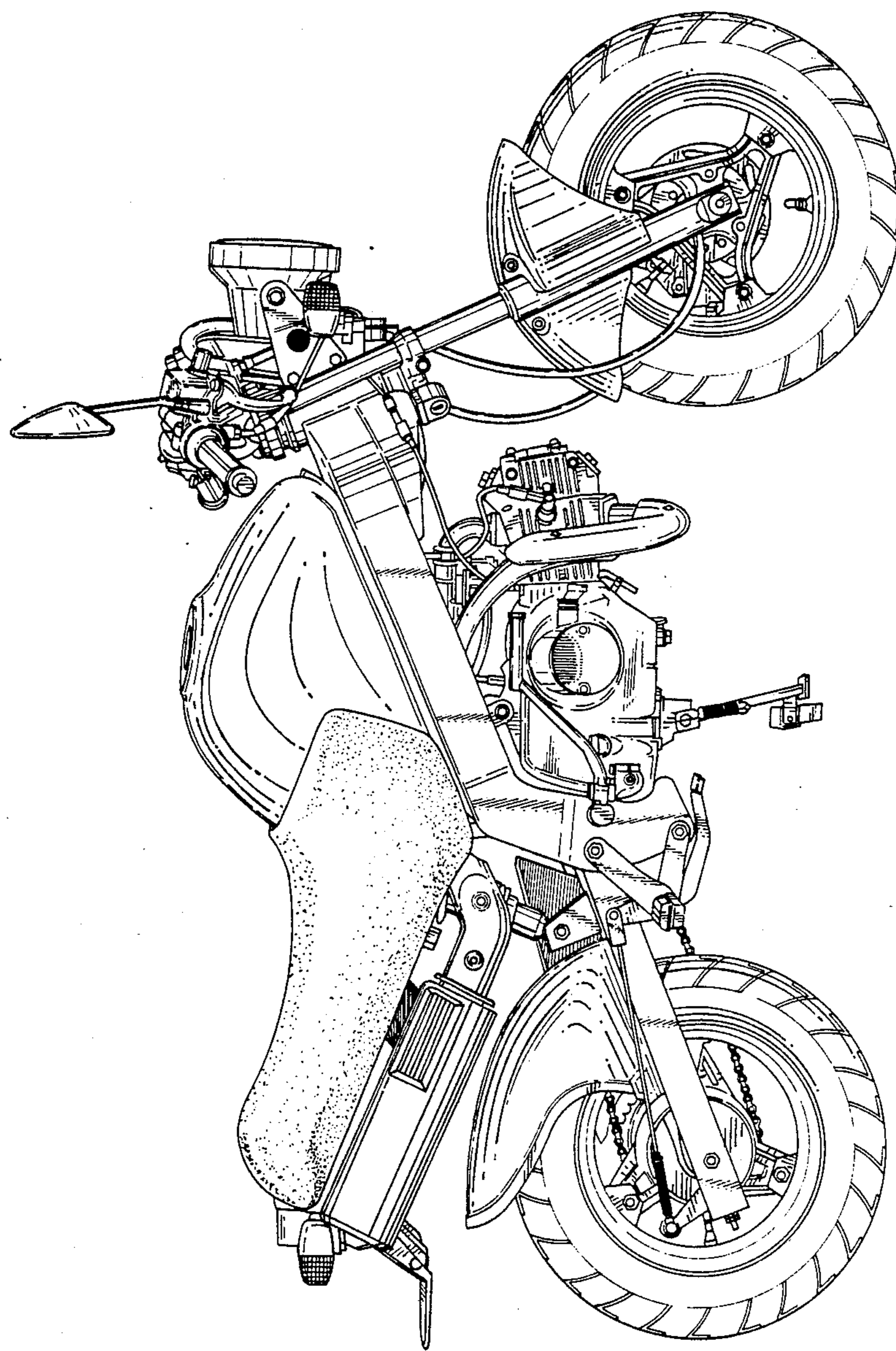


FIG. 4

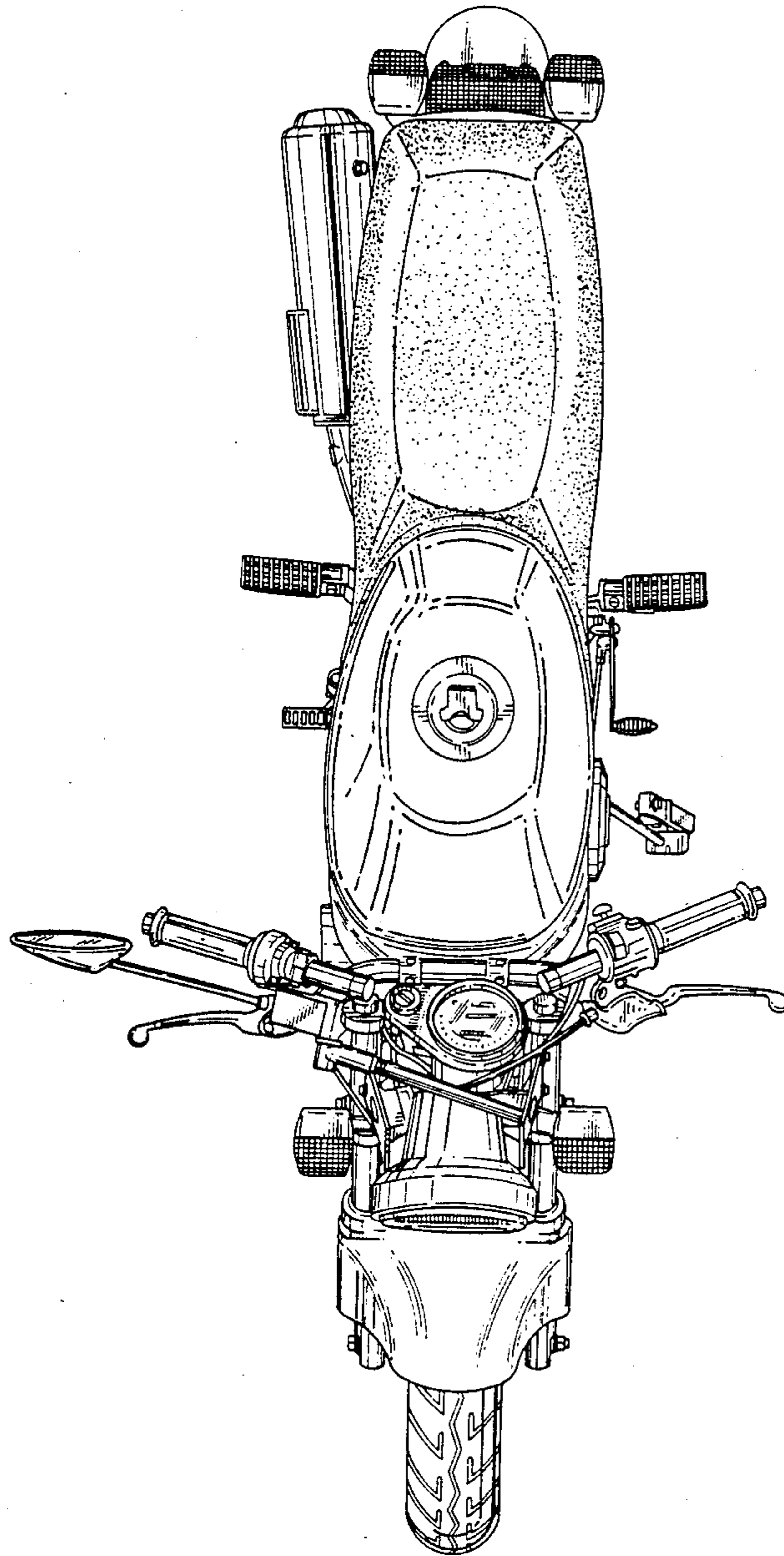


FIG. 5

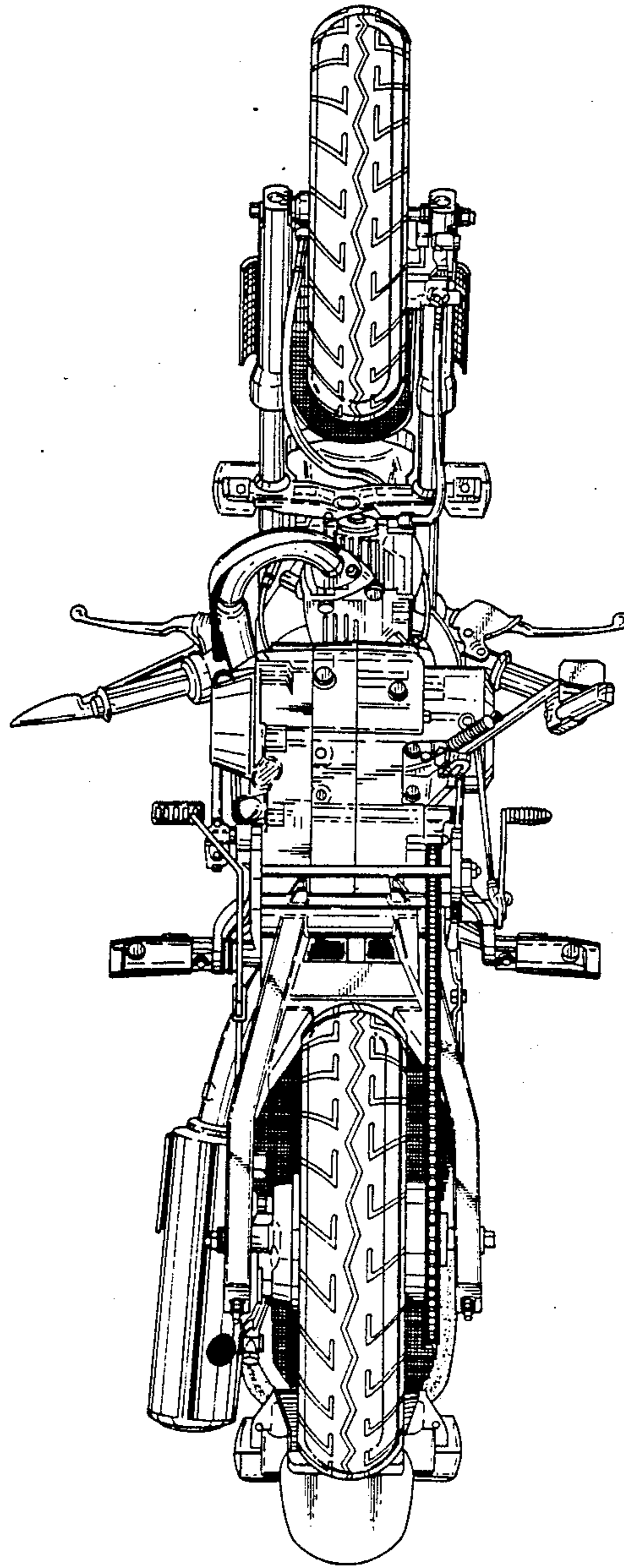


FIG. 6

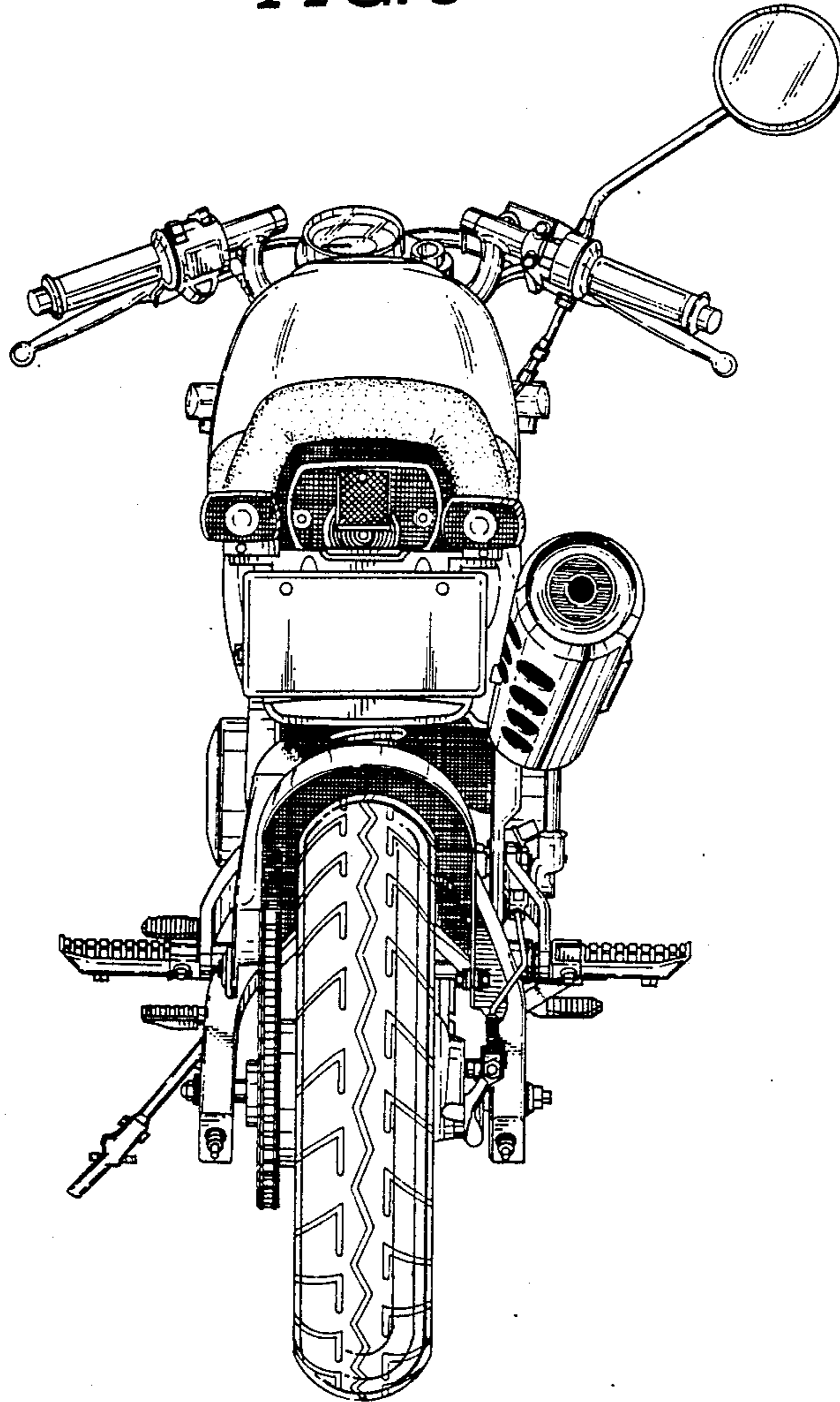


FIG. 7

