

[54] AUDIBLE WINDOW AND DOOR
INTRUSION ALARM

[76] Inventor: Daniel L. Lothamer, 8720 Stellhorn
Rd., Fort Wayne, Ind. 46815

[**] Term: 14 Years

[21] Appl. No.: 885,729

[22] Filed: Jul. 15, 1986

[52] U.S. Cl. D10/106

[58] Field of Search D10/104, 106, 116, 121;
340/521, 540-546, 555, 556, 557, 565-578, 584,
600, 628, 629, 630

4,062,314	12/1977	Allen	116/85
4,271,338	6/1981	Rakocy	200/61.71
4,277,781	7/1981	Hunyadi	340/545
4,292,629	9/1981	Kerr et al.	340/545 X
4,376,276	3/1983	Barta	340/545
4,381,504	4/1983	Bitko	340/566 X

Primary Examiner—Susan J. Lucas
Attorney, Agent, or Firm—W. C. Tupman

[57] CLAIM

The ornamental design for an audible window and door intrusion alarm, as shown and described.

DESCRIPTION

FIG. 1 is a front and left side isometric view of an audible window and door intrusion alarm showing my new design;

FIG. 2 is a top plan view thereof;

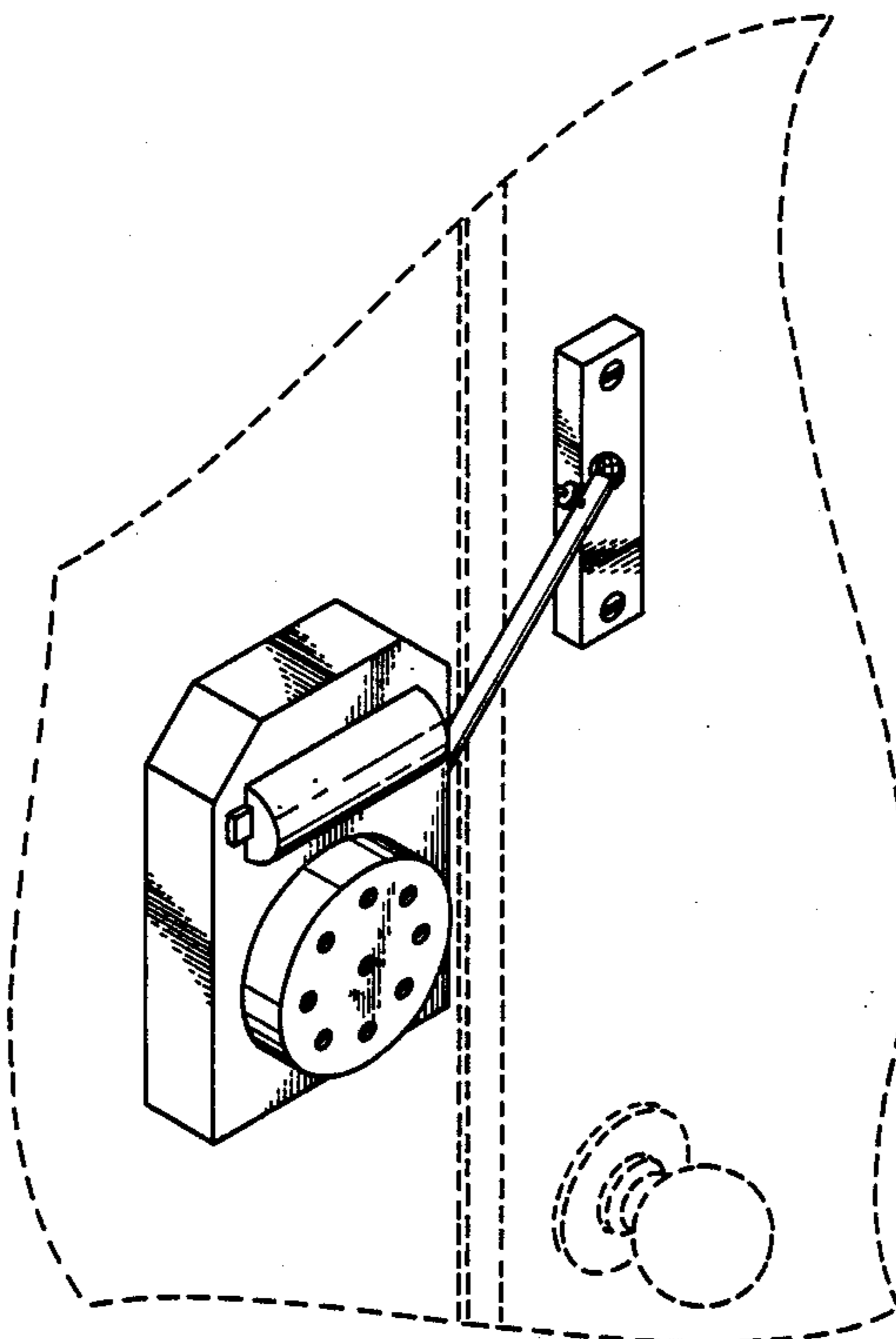
FIG. 3 is a right side elevational view thereof; and

FIG. 4 is a top, front, right side isometric view thereof with the door shown in broken lines for illustrative purposes only.

[56] References Cited

U.S. PATENT DOCUMENTS

D. 236,817	9/1975	Sweany	D10/106
D. 259,255	5/1981	Menzies et al.	D10/106
D. 264,564	5/1982	Jaretsky	D10/104
3,696,380	10/1972	Murphy	340/283
3,706,090	12/1972	Callaghan	340/274



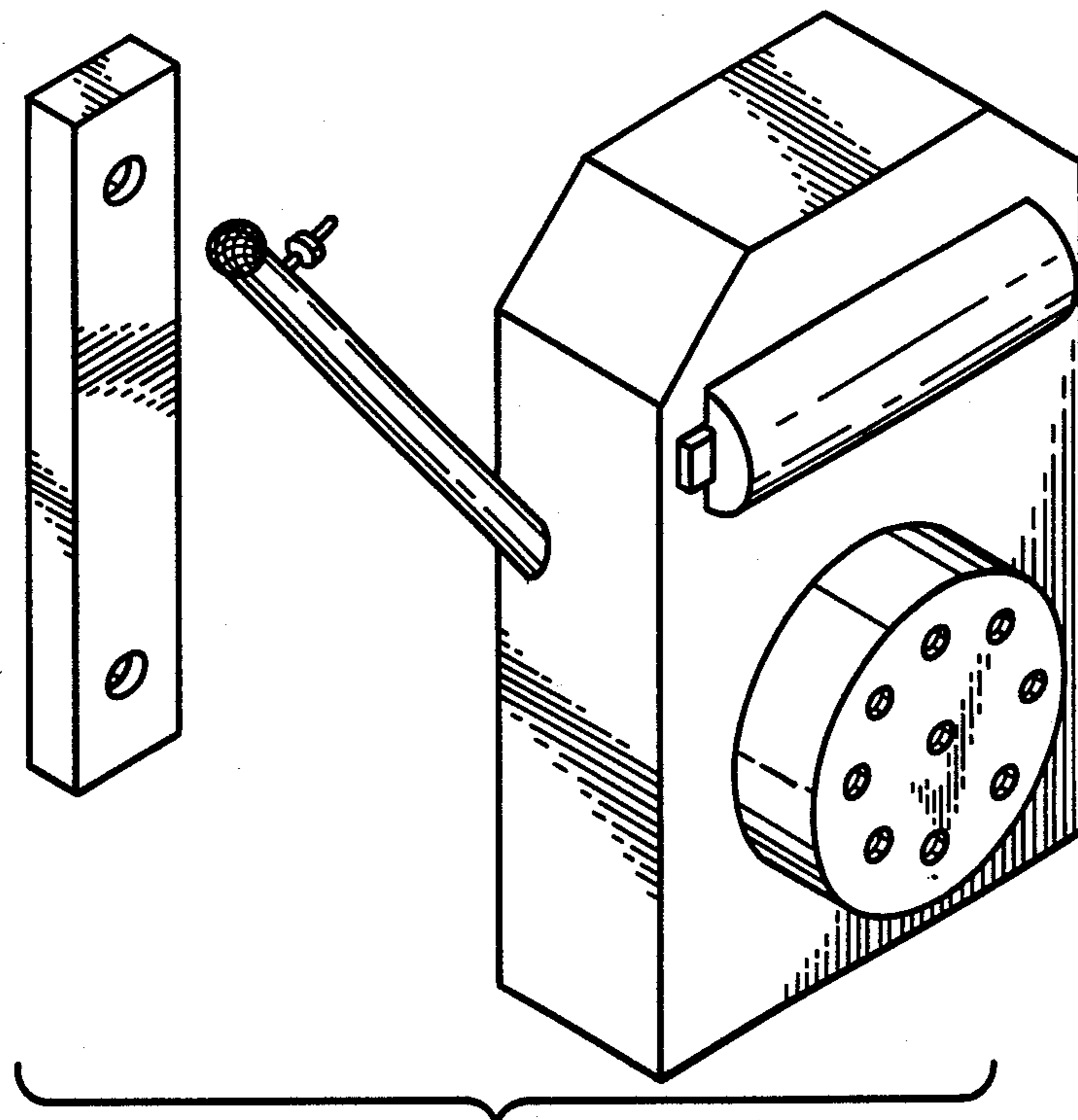


Fig. 1

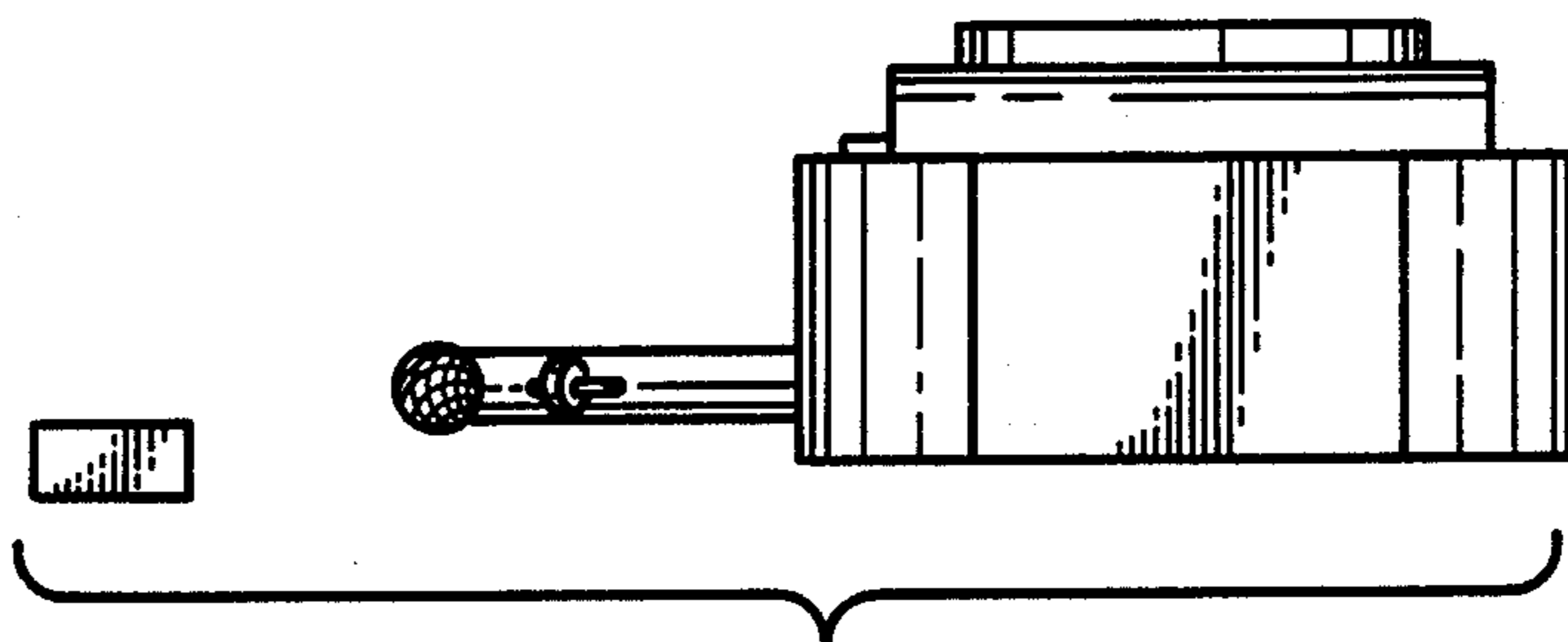


Fig. 2

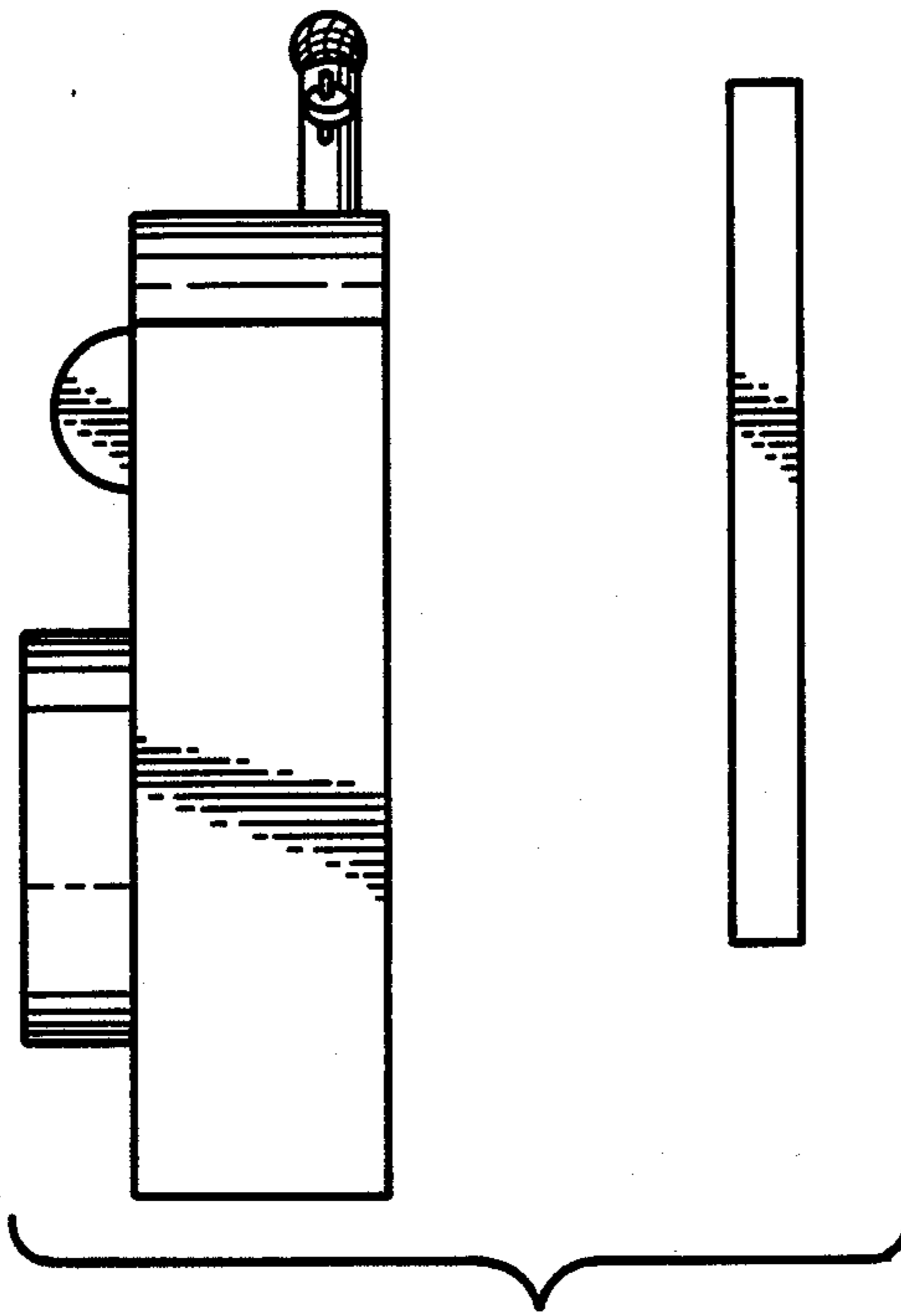


Fig. 3

Fig. 4

