

United States Patent [19]

Fischer et al.

[11] Patent Number: **Des. 305,504**

[45] Date of Patent: **** Jan. 16, 1990**

[54] FUEL CAN

[75] Inventors: **Earl L. Fischer, Rogers, Ark.; John R. Elmburg, Miami, Okla.**

[73] Assignee: **U.S. Metal Container Co., Miami, Okla.**

[**] Term: **14 Years**

[21] Appl. No.: **2,271**

[22] Filed: **Jan. 12, 1987**

[52] U.S. Cl. **D9/374; D9/376**

[58] Field of Search **D9/374, 376, 373, 375, D9/370, 367, 378, 381, 382, 446, 403-413; 215/1 R, 1 C**

[56] **References Cited**

U.S. PATENT DOCUMENTS

- D. 202,744 11/1965 Greenwell D9/374
D. 213,040 12/1968 Schaper et al. D9/376

- D. 222,434 10/1971 Finkel D9/374
D. 227,345 6/1973 Bell et al. D9/374
D. 278,031 3/1985 Elmburg D9/376
D. 279,417 6/1985 Spencer D9/374
D. 279,549 7/1985 Elmburg D9/376

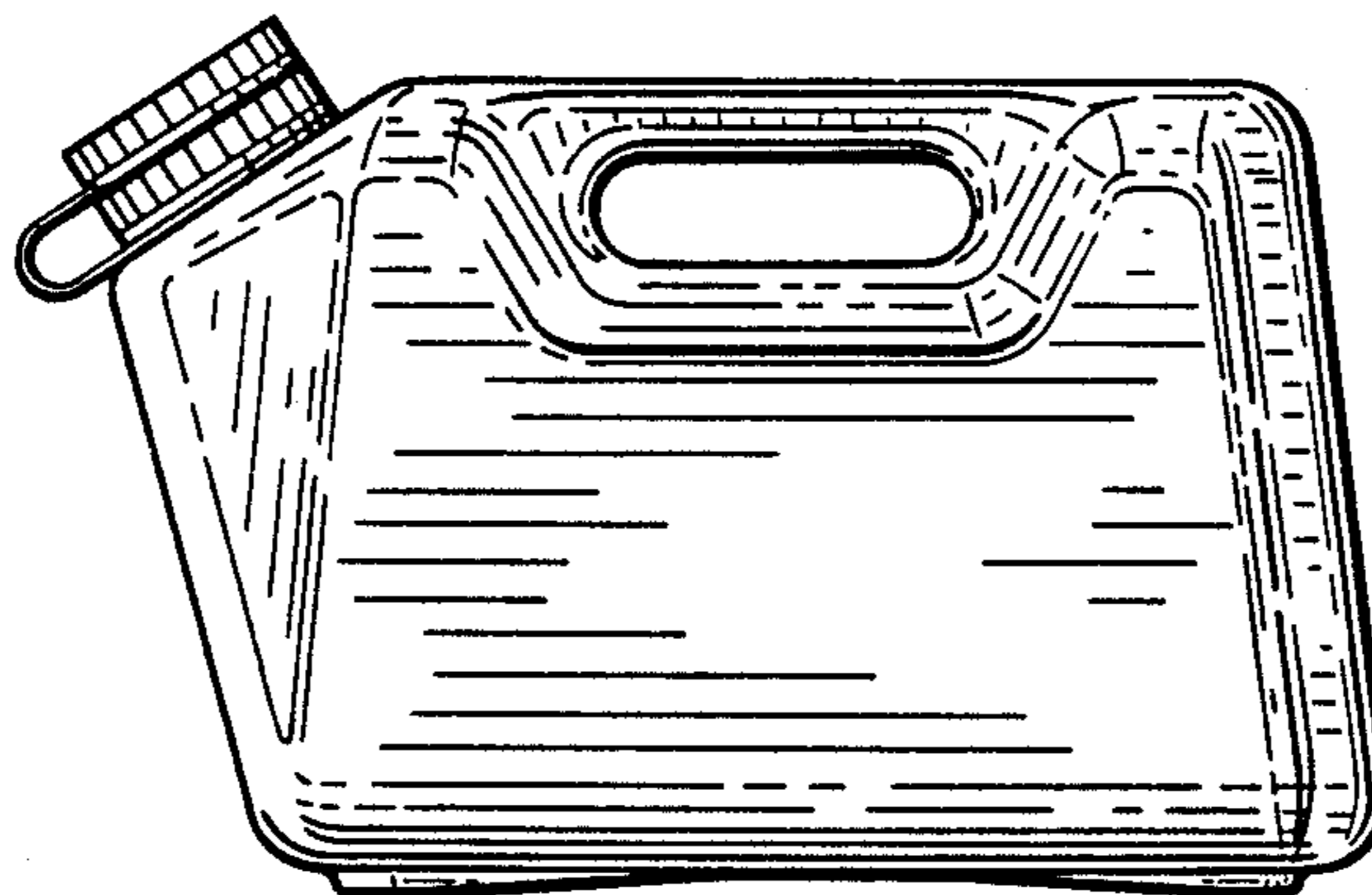
Primary Examiner—Bernard Ansher
Assistant Examiner—Lucy Lieberman
Attorney, Agent, or Firm—Hovey, Williams, Timmons & Collins

[57] **CLAIM**

The ornamental design for a fuel can, as shown.

DESCRIPTION

FIG. 1 is a left side elevational view of a fuel can showing our new design;
FIG. 2 is a front elevational view thereof;
FIG. 3 is a rear elevational view thereof;
FIG. 4 is top plan view thereof; and
FIG. 5 is a bottom plan view thereof.



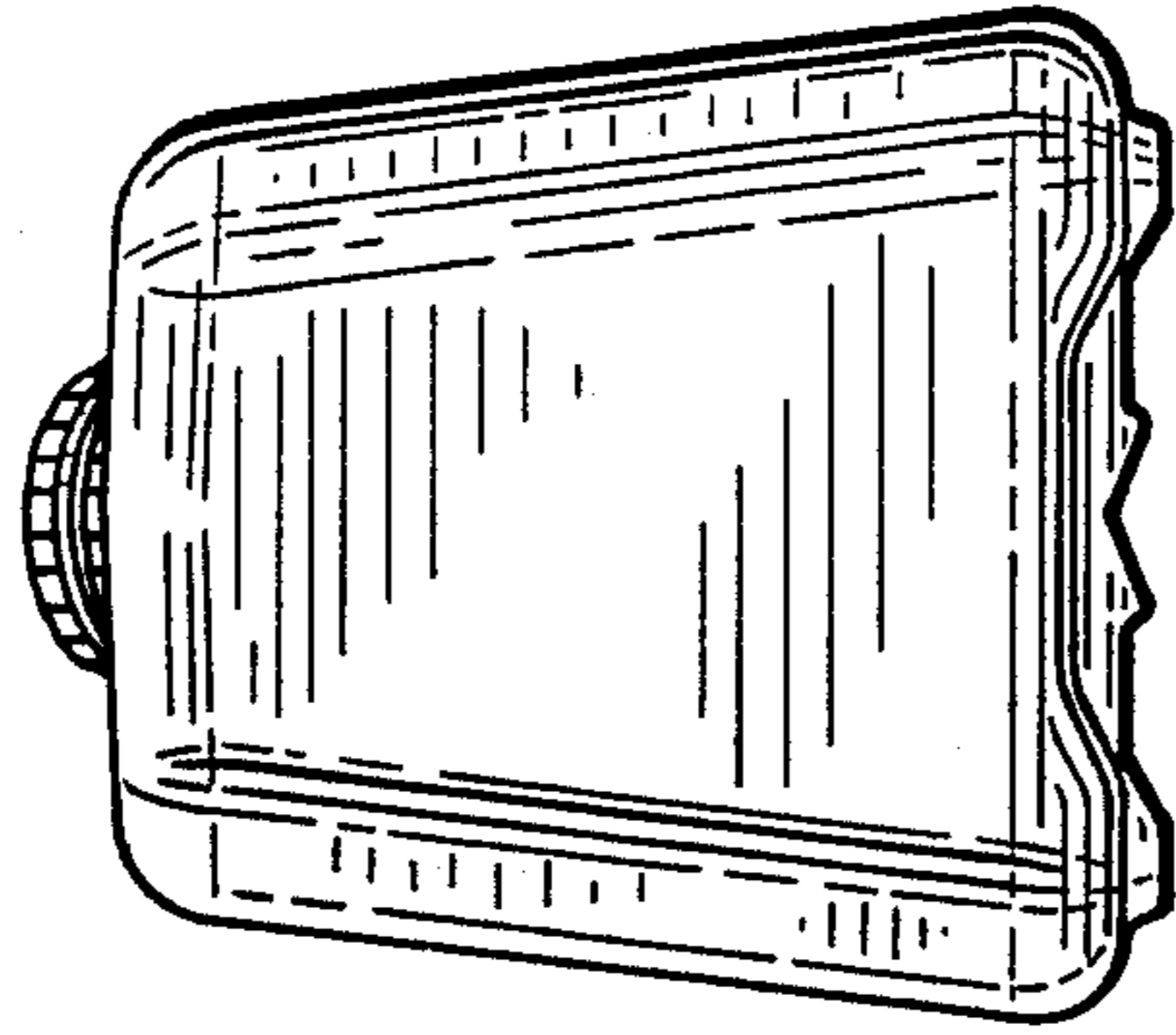


Fig. 3.

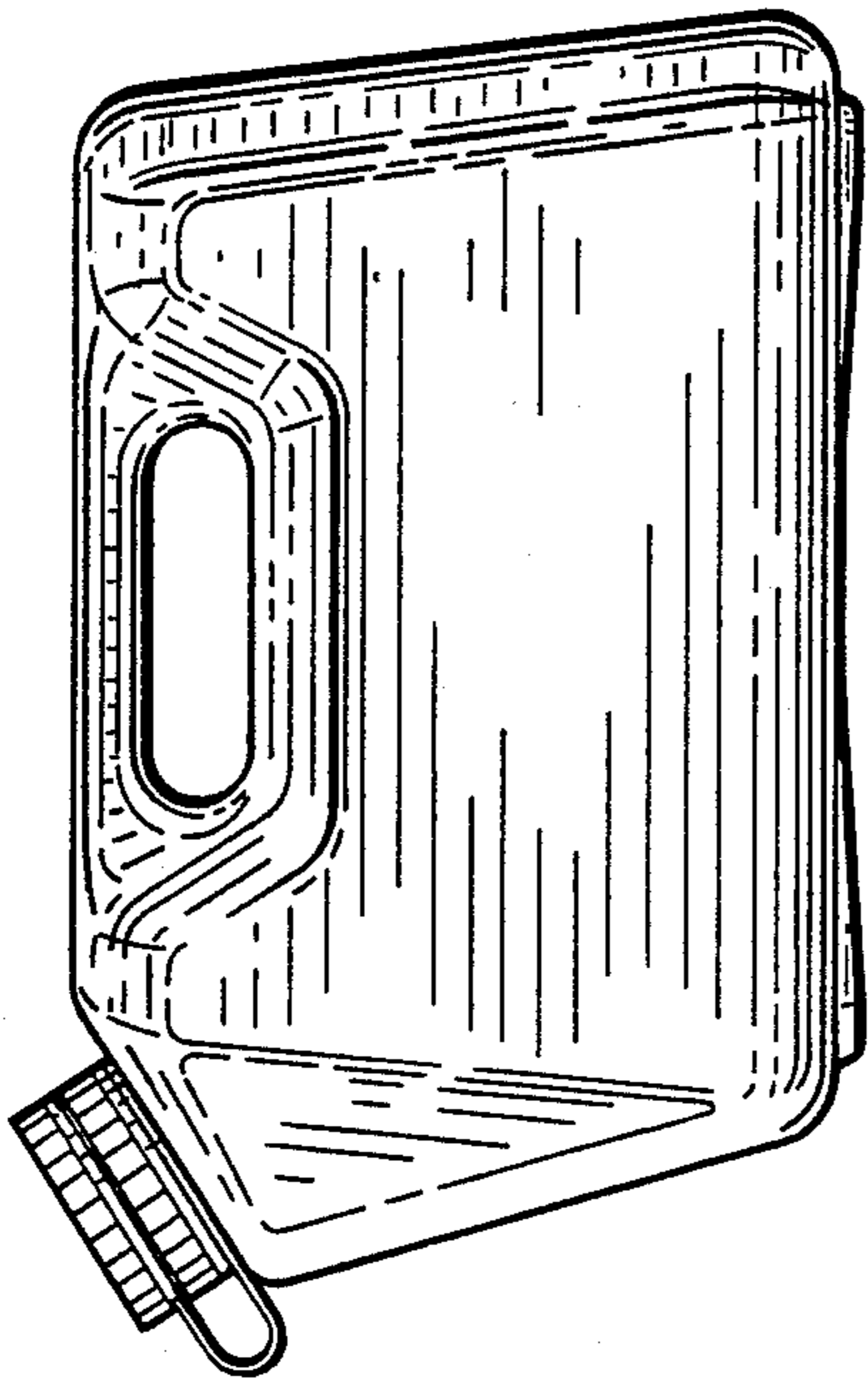


Fig. 1.

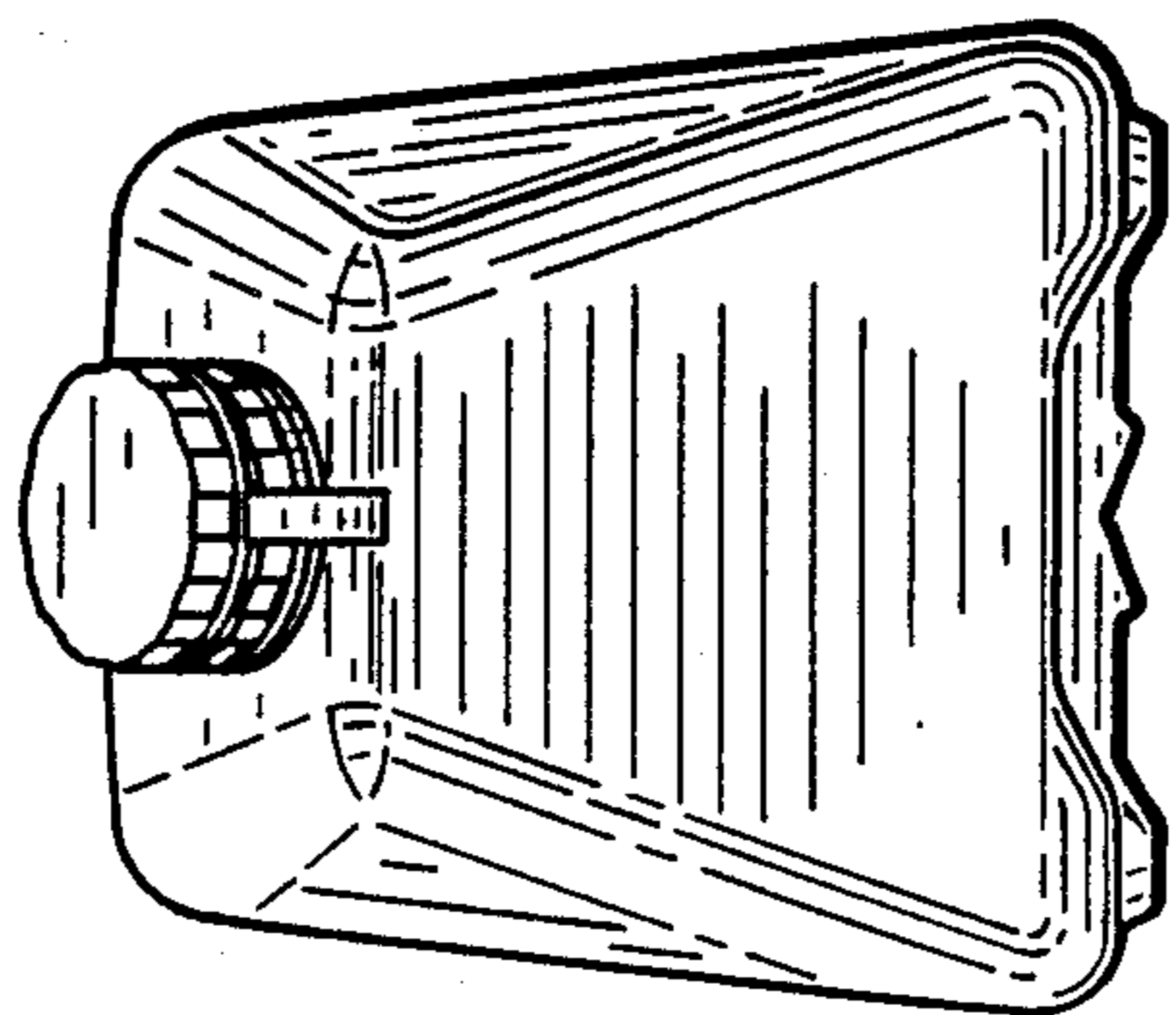


Fig. 2.

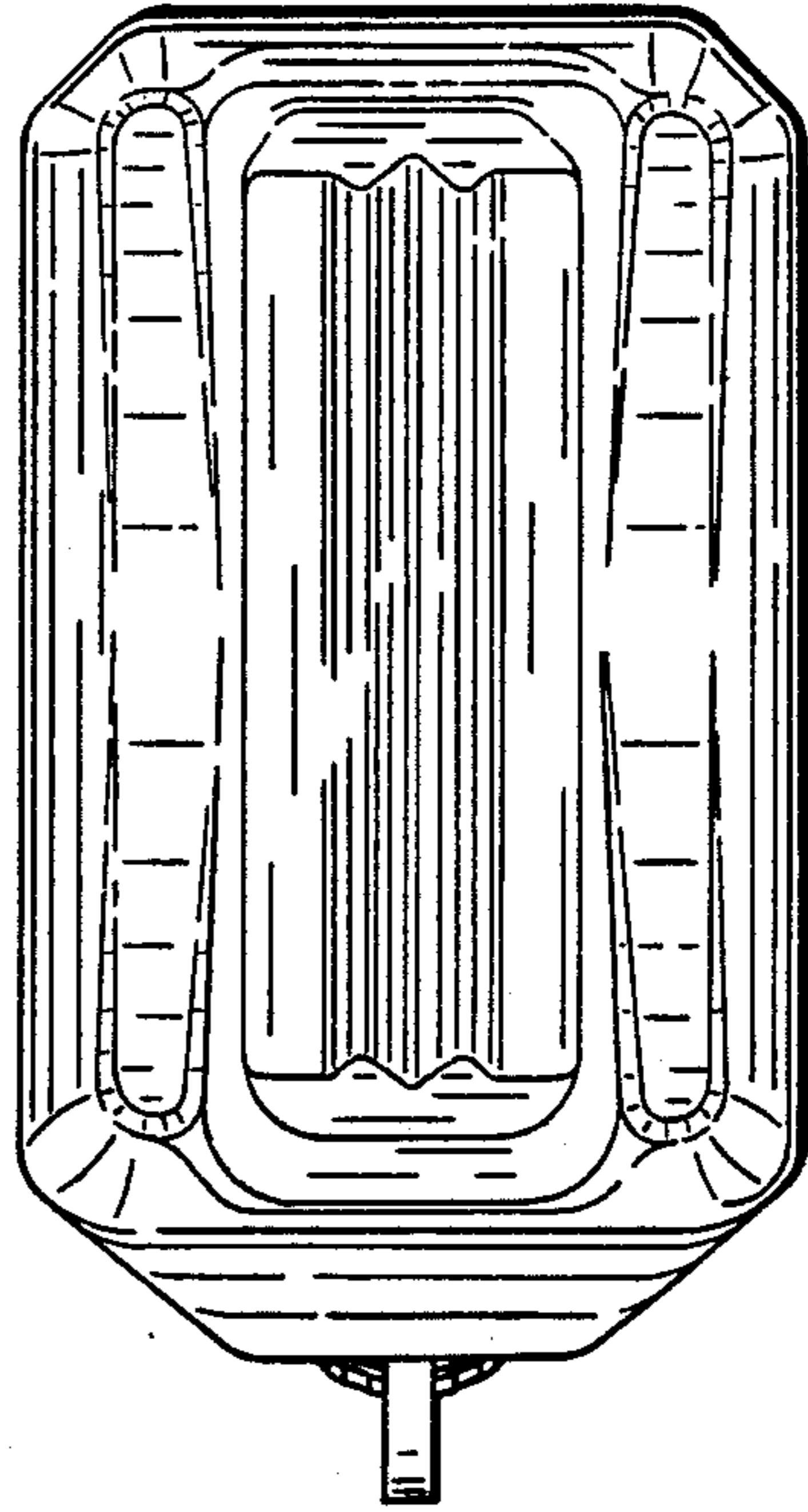


Fig. 5.

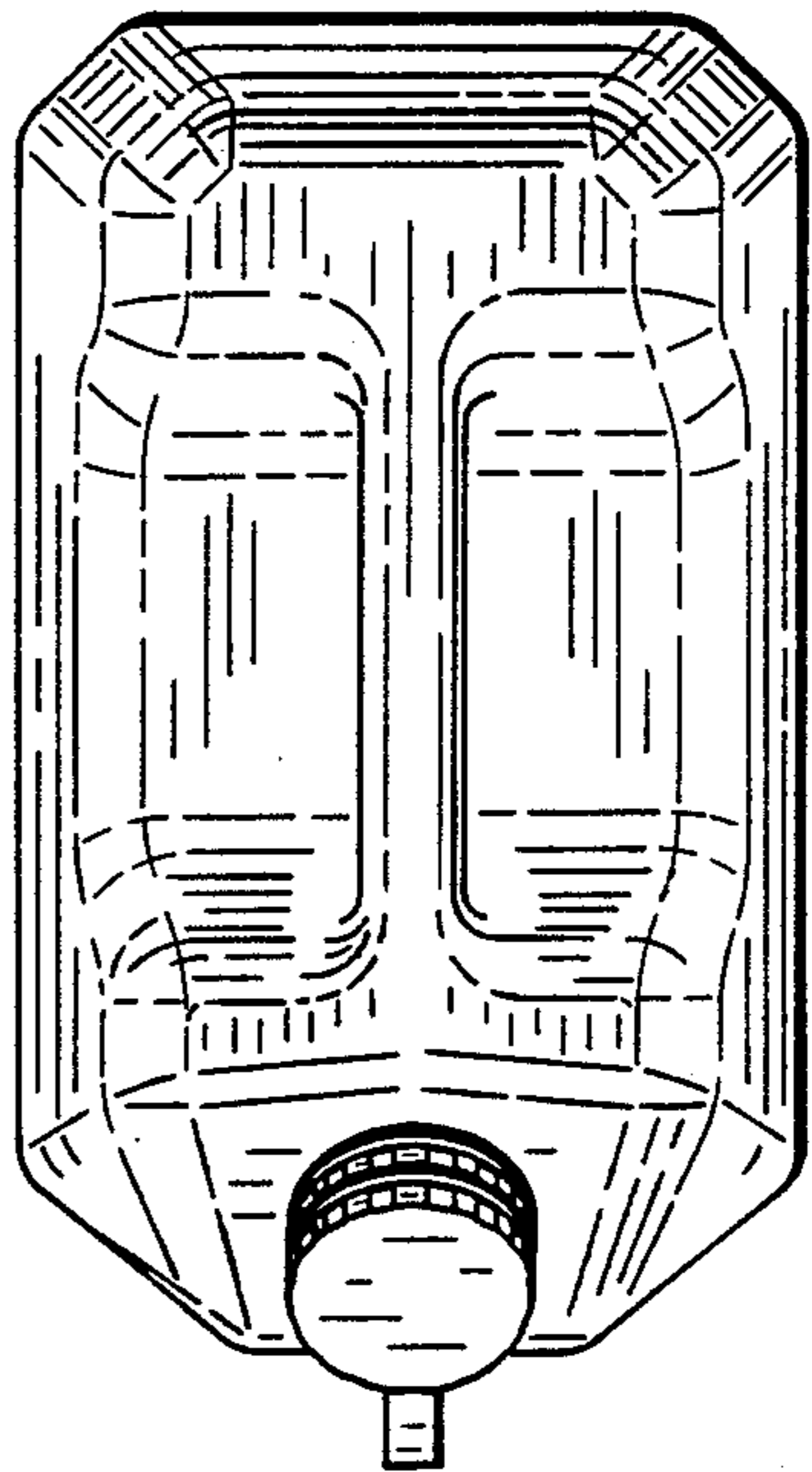


Fig. 4.