

[54] STORAGE CONTAINER FOR A PICKUP OR THE LIKE

[75] Inventor: John E. Waters, Waco, Tex.

[73] Assignee: Durakon Industries, Inc., Lapeer, Mich.

[**] Term: 14 Years

[21] Appl. No.: 827,859

[22] Filed: Feb. 10, 1986

[52] U.S. Cl. D9/341

[58] Field of Search D9/341; D3/73; D12/157; D23/251

[56] References Cited

U.S. PATENT DOCUMENTS

D. 192,989	6/1962	Young	D23/251
D. 254,221	2/1980	Beekenkamp	D3/73
D. 259,413	6/1981	Rehkopf	D12/157
D. 259,760	7/1981	Lucas	D3/73
D. 273,056	3/1984	Lennon	D12/157
D. 274,139	6/1984	Suffern et al.	D12/157
D. 279,368	6/1985	Waters	D12/157

OTHER PUBLICATIONS

J. C. Whitney & Co. Auto Parts Catalog No. 454D, 1-2-85, p. 36, Item upper left hand corner of page.

Primary Examiner—Louis S. Zarfaz
Assistant Examiner—R. T. Seifert
Attorney, Agent, or Firm—Dykema Gossett

[57] CLAIM

The ornamental design for the storage container for a pickup or the like, as shown and described.

DESCRIPTION

FIG. 1 is a front elevational view of a container showing my new design.

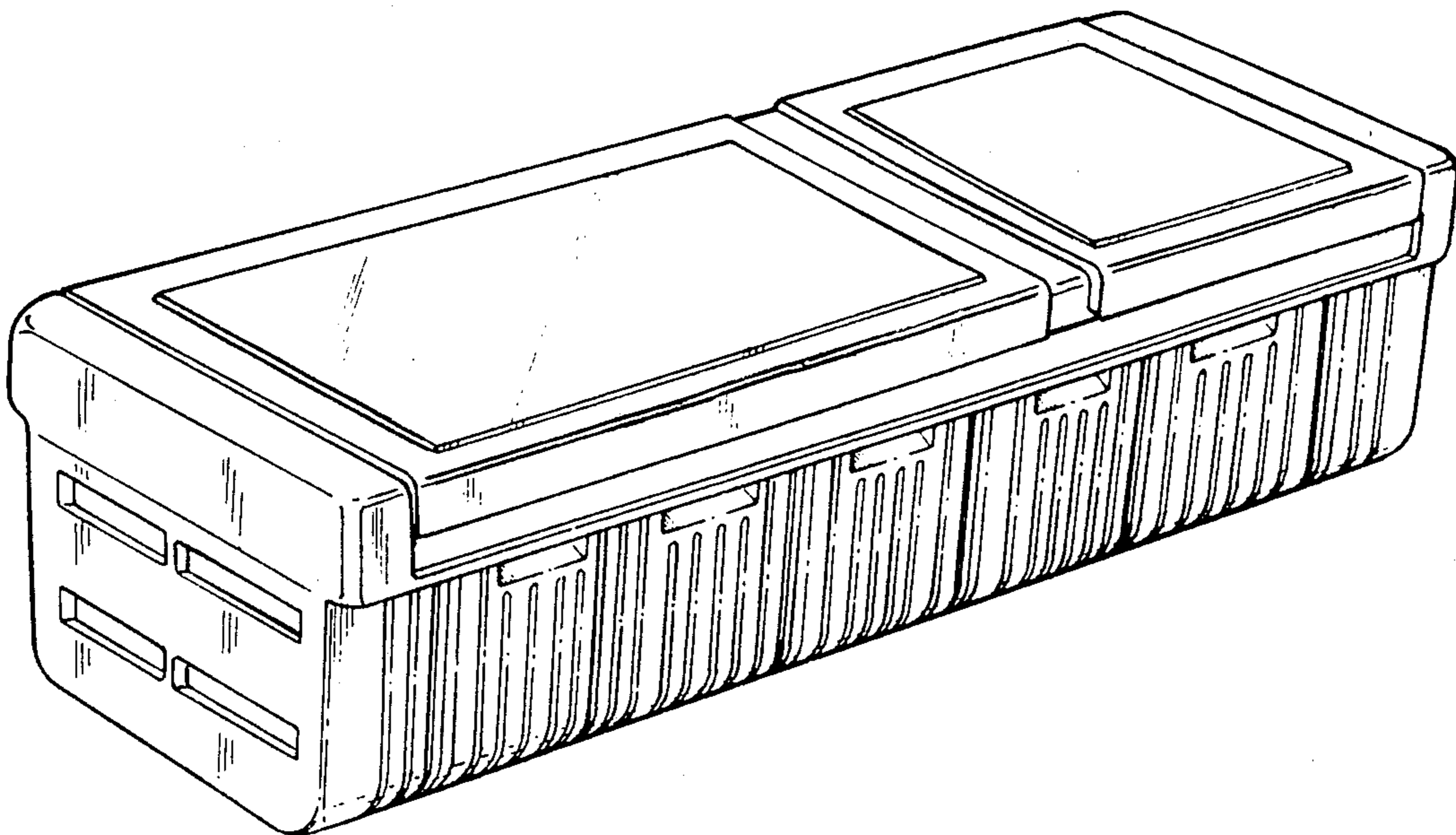
FIG. 2 is a rear elevational view of the container shown in FIG. 1.

FIG. 3 is a partial front elevational view of the container shown in FIG. 1.

FIG. 4 is a side elevational view of the container shown in FIG. 1, the opposite side elevational view being a mirror image thereof.

FIG. 5 is a cross-sectional view taken along line 5—5 in FIG. 3.

FIG. 6 is a cross-sectional view taken along line 6—6 in FIG. 3.



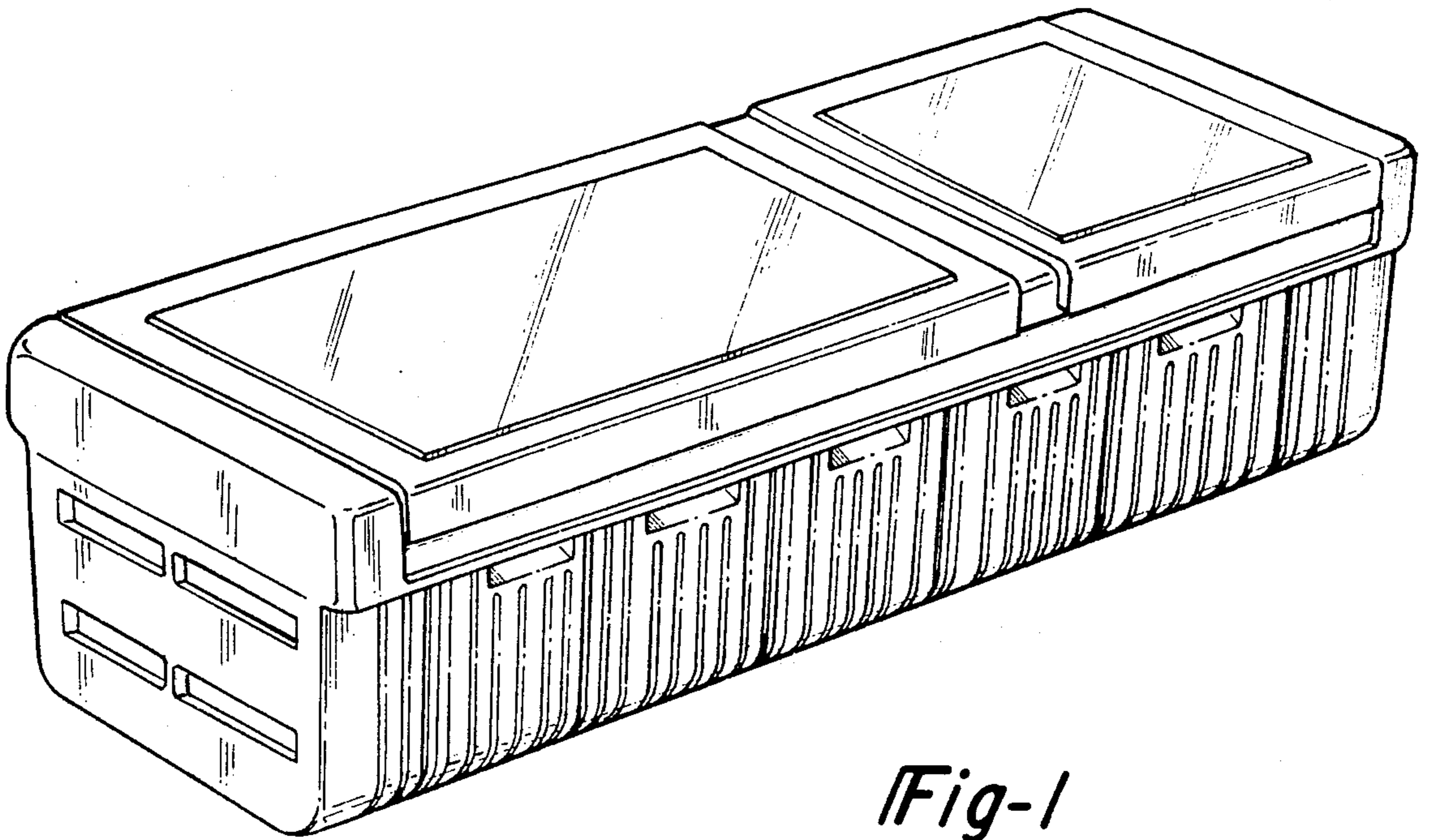


Fig-1

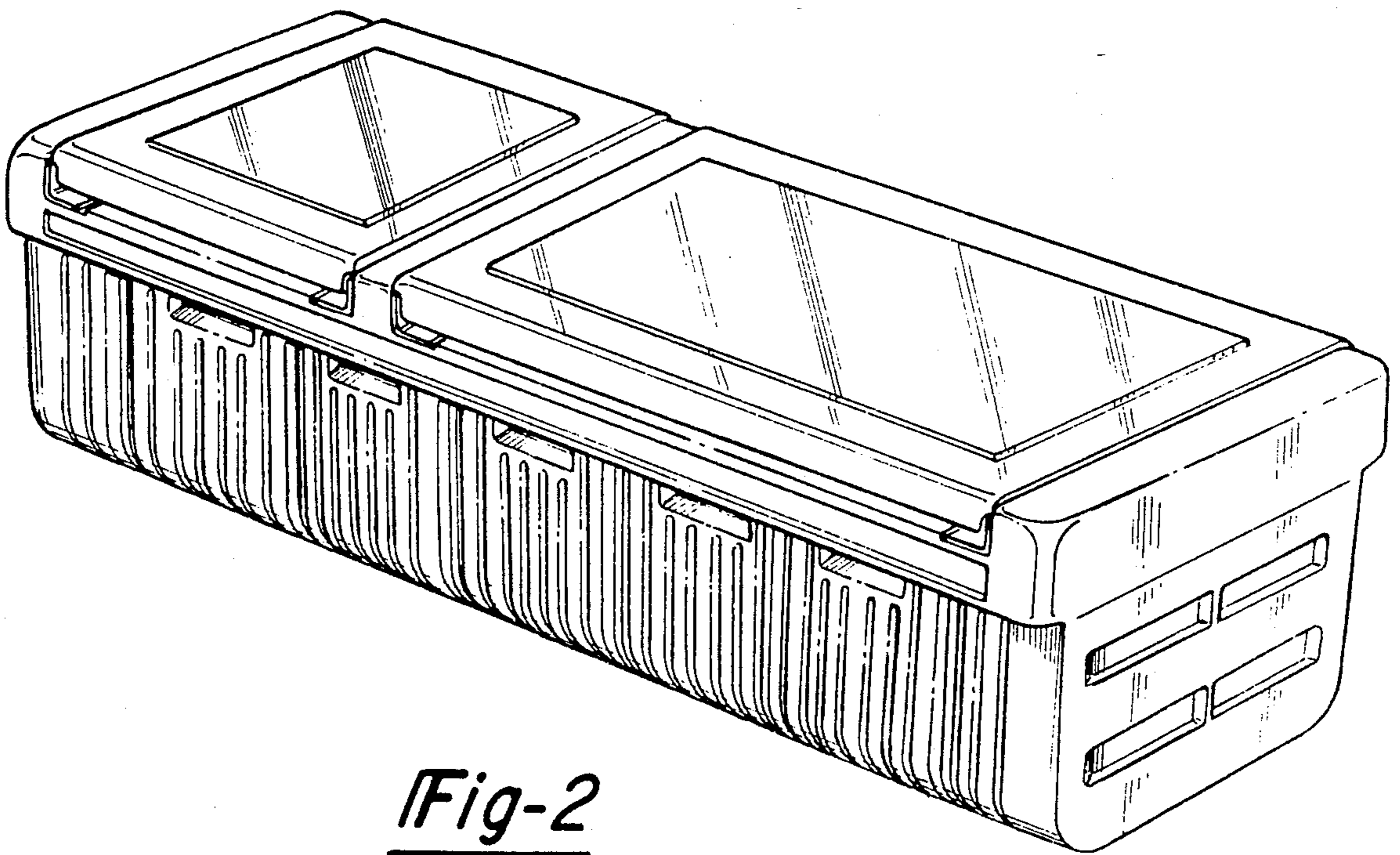


Fig-2

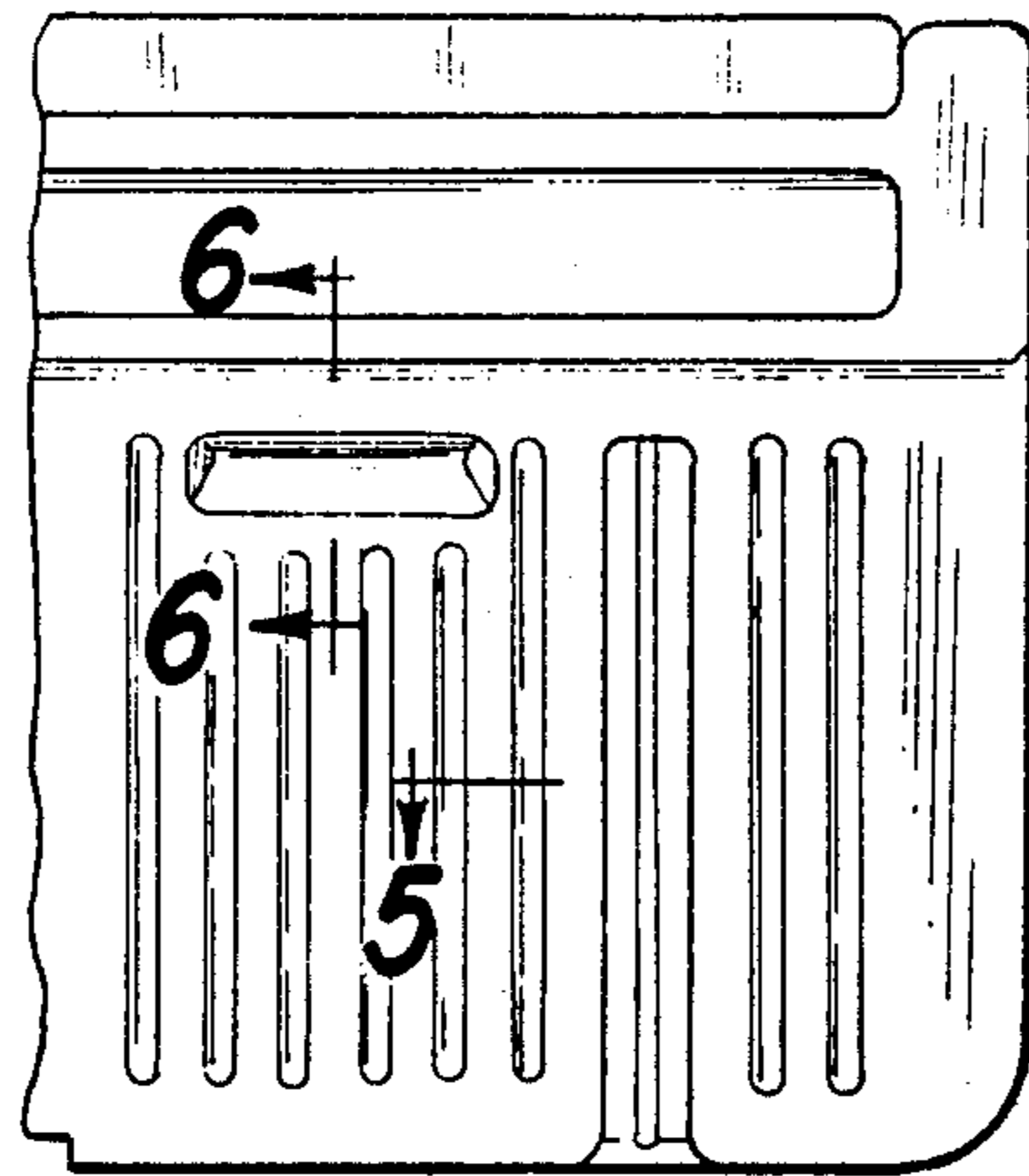


Fig-3

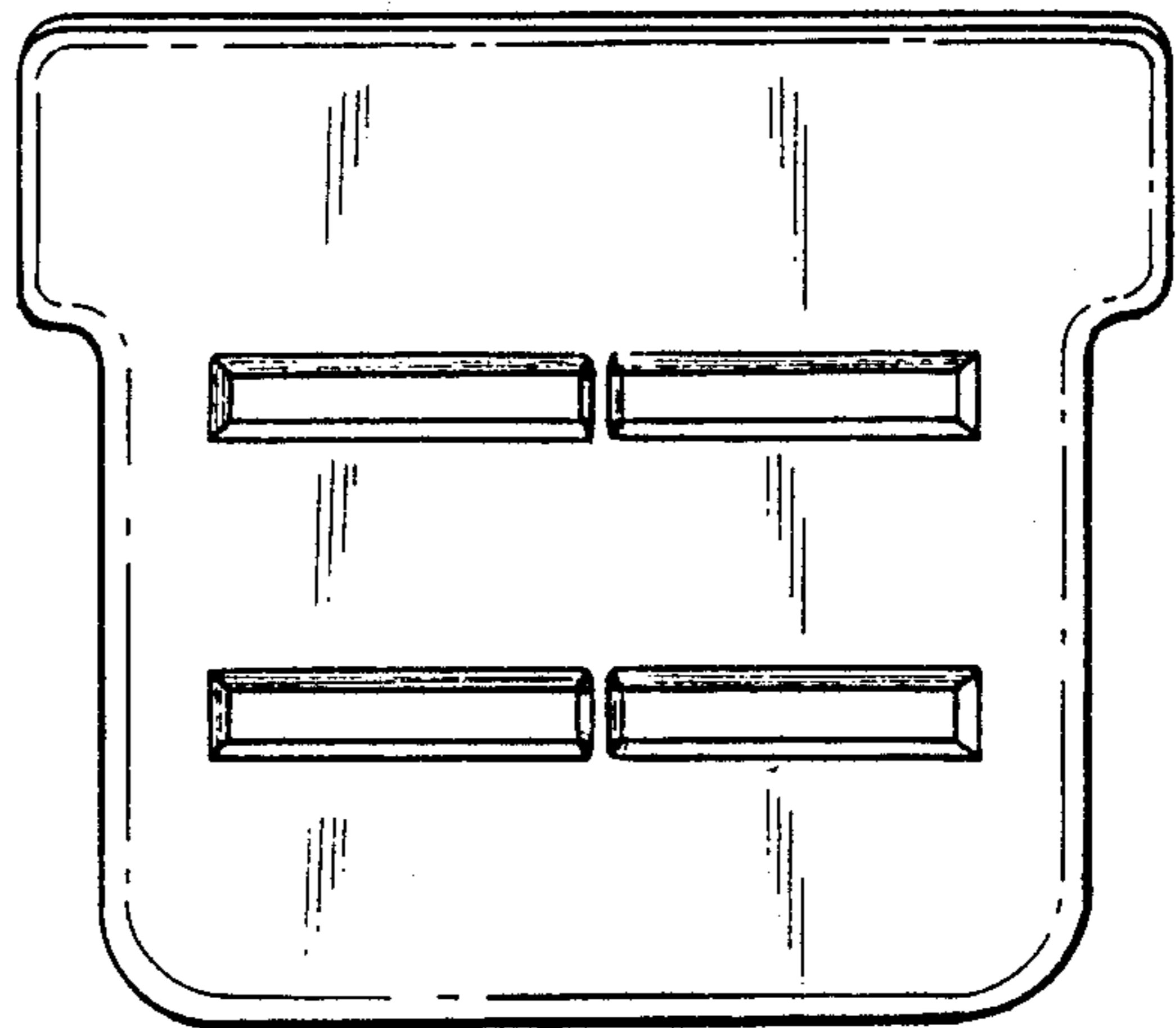


Fig-4

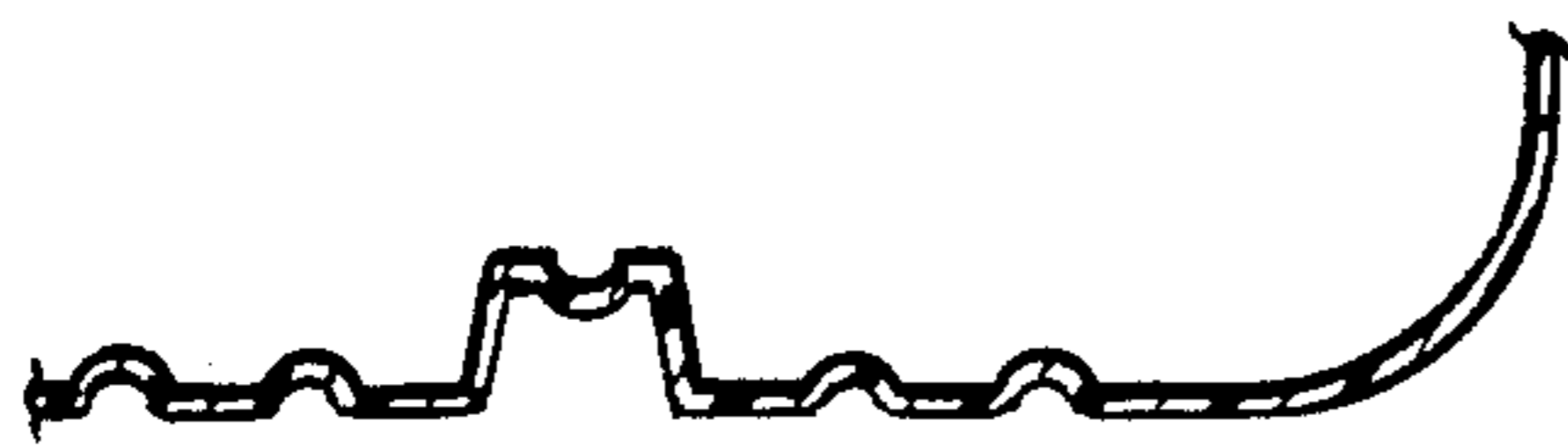


Fig-5



Fig-6