

[54] **FURNITURE CASTER**
 [75] **Inventor: Hans G. Lüttgen, Montabaur, Fed. Rep. of Germany**
 [73] **Assignee: Albert Schulte Söhne GmbH & Co., Wermelskirchen, Fed. Rep. of Germany**
 [**] **Term: 14 Years**
 [21] **Appl. No.: 888,890**
 [22] **Filed: Jul. 23, 1986**
 [30] **Foreign Application Priority Data**
 Jan. 28, 1986 [DE] Fed. Rep. of Germany MR273
 [52] **U.S. Cl. D8/375**
 [58] **Field of Search D8/375; 16/18 CG, 47, 16/18 R, 31 R, 37**

2,471,958	5/1949	Humphreys	16/18 CG
2,981,969	5/1961	Fontana	16/18 CG
3,345,675	10/1967	Haydock	16/18 CG
3,441,974	5/1969	Dean	16/18 CG X
3,812,542	6/1974	Jones	16/18 CG
3,858,271	1/1974	Howard et al.	16/18 CG X
3,922,754	12/1975	Andersen	16/18 CG X
4,024,600	5/1977	Fernbeng et al.	16/31 R
4,455,707	6/1984	Screen	16/31 R X
4,700,430	10/1987	Raftery	16/18 CG
4,827,564	5/1989	Brown	16/31 R X

FOREIGN PATENT DOCUMENTS

519631	3/1955	Italy	16/18 CG
599244	3/1948	United Kingdom	16/18 CG
998039	7/1965	United Kingdom	16/47

Primary Examiner—Horace B. Fay, Jr.
Attorney, Agent, or Firm—Peter K. Kontler

[57] **CLAIM**

The ornamental design of a furniture caster, as shown and described.

DESCRIPTION

FIG. 1 is a front, right side perspective view of a furniture caster showing my new design;
 FIG. 2 is a bottom and right side perspective view thereof;
 FIG. 3 is a right side elevational view thereof;
 FIG. 4 is a front elevational view thereof;
 FIG. 5 is a top plan view; and
 FIG. 6 is a bottom plan view thereof.

[56] **References Cited**

U.S. PATENT DOCUMENTS

D. 240,503	7/1976	Cresienzi et al.	D8/375
479,980	8/1892	Gordon	16/18 CG
665,029	1/1901	McAtee	16/18 CG
671,978	4/1901	Randolph	16/18 CG
766,068	7/1904	Sheffield	16/37 X
1,012,404	12/1911	Means	16/18 CG
1,125,104	1/1915	Ill	16/18 CG
1,224,294	5/1917	Franzen	16/18 CG
1,641,127	8/1927	Denslow	16/18 CG
2,442,831	6/1948	Suttles	16/31 R X

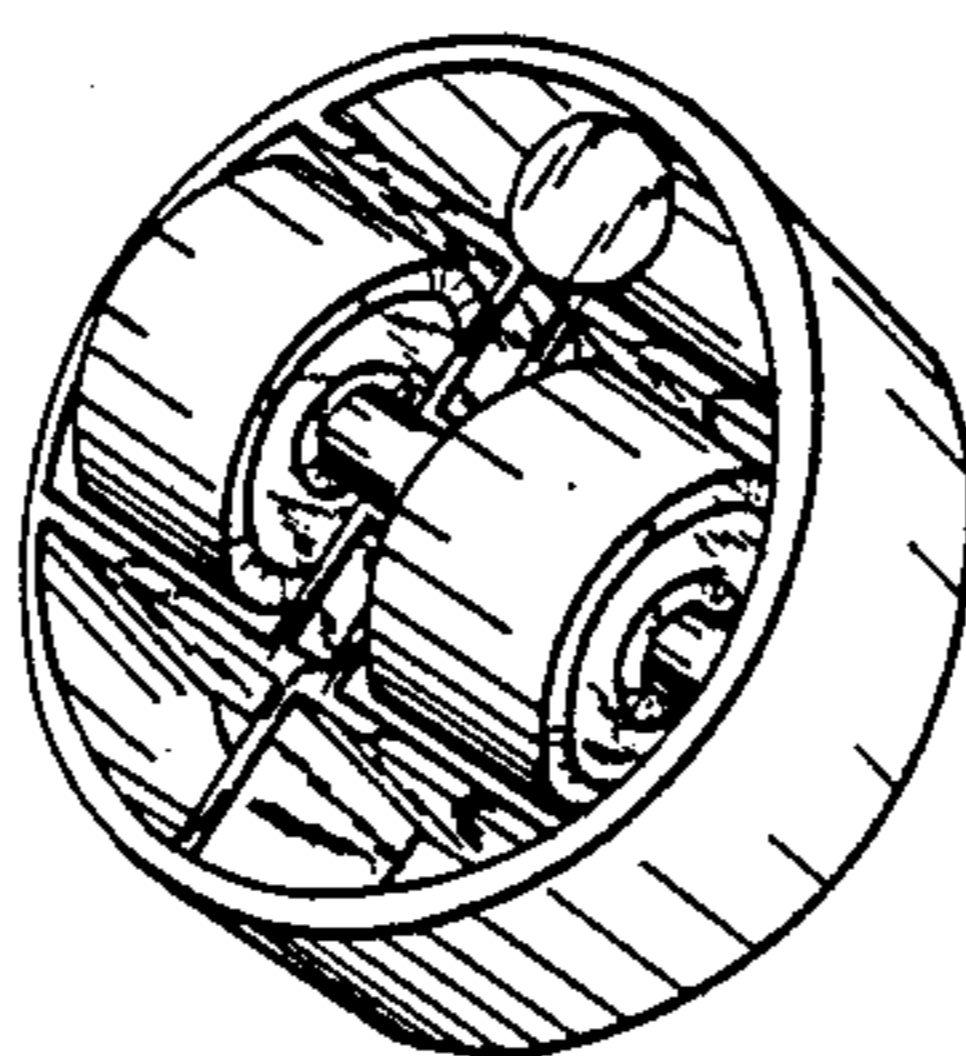
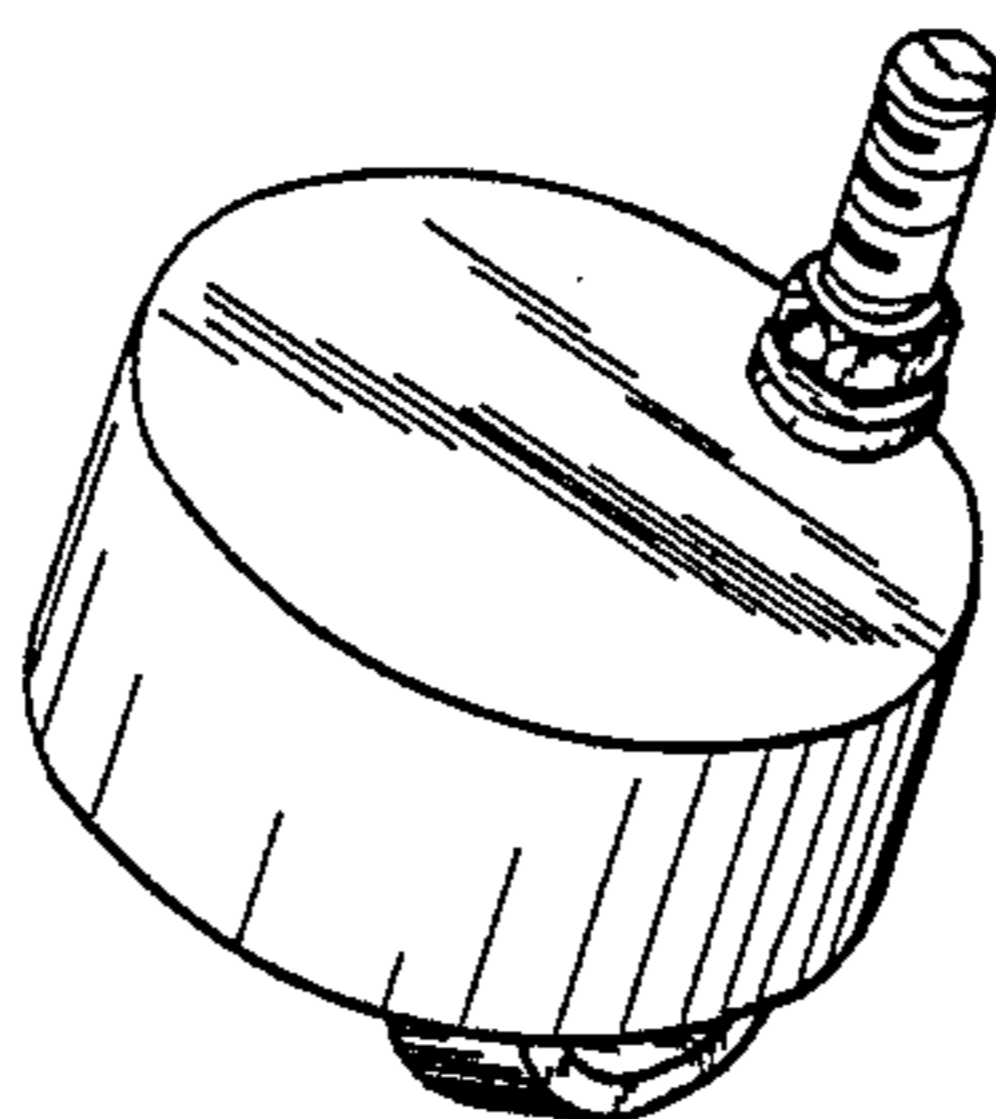


FIG. 1

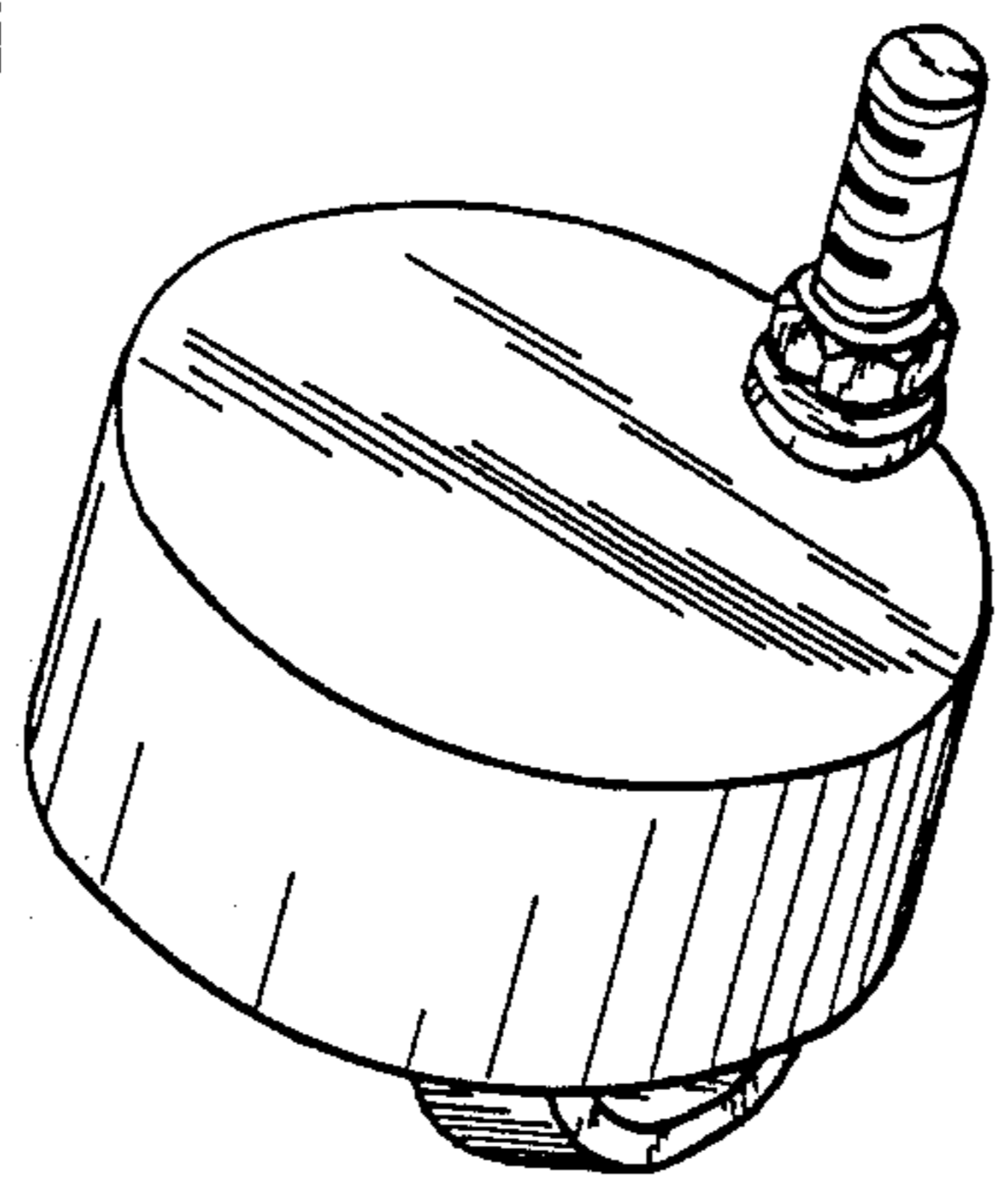


FIG. 2

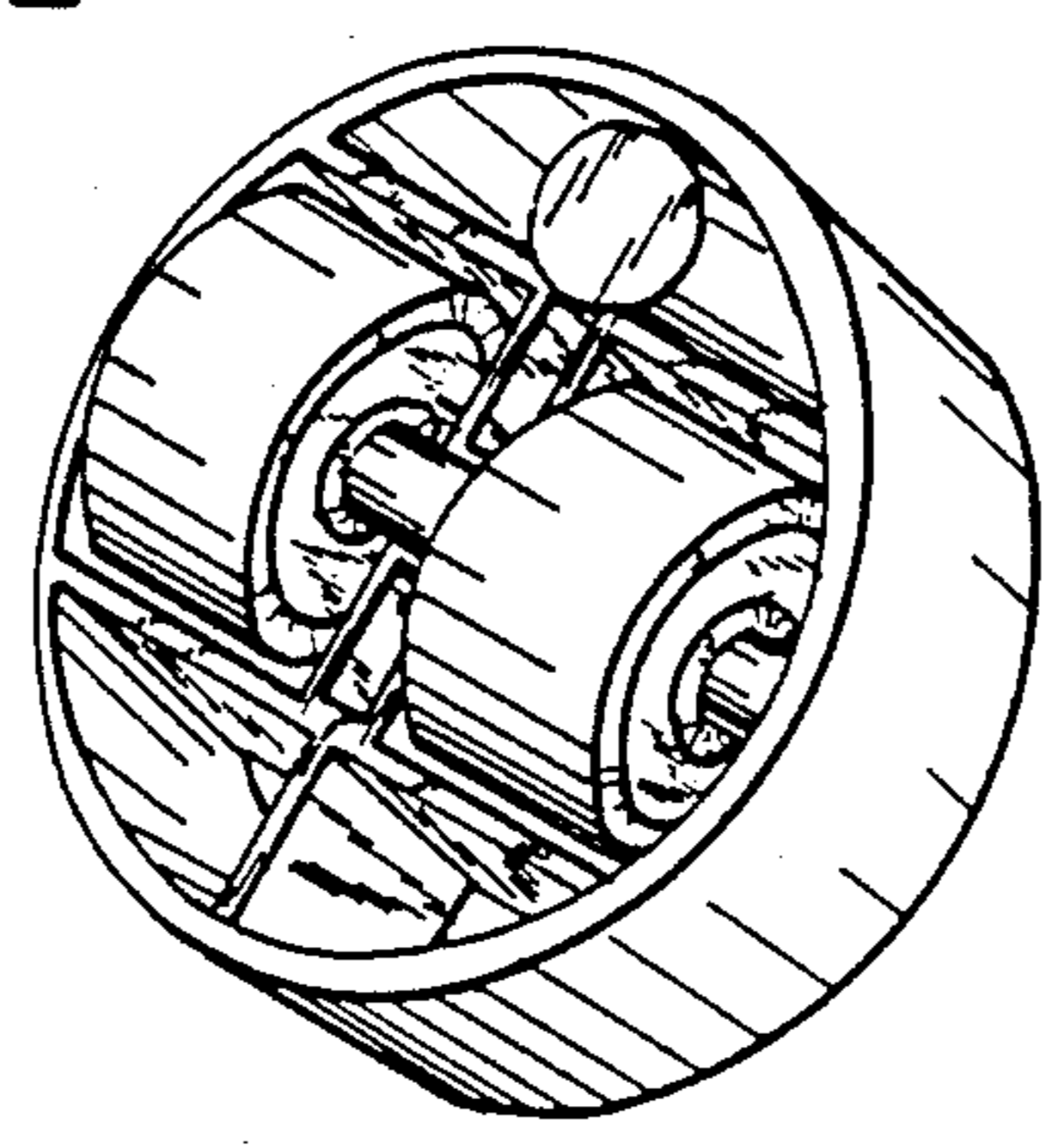


FIG. 6

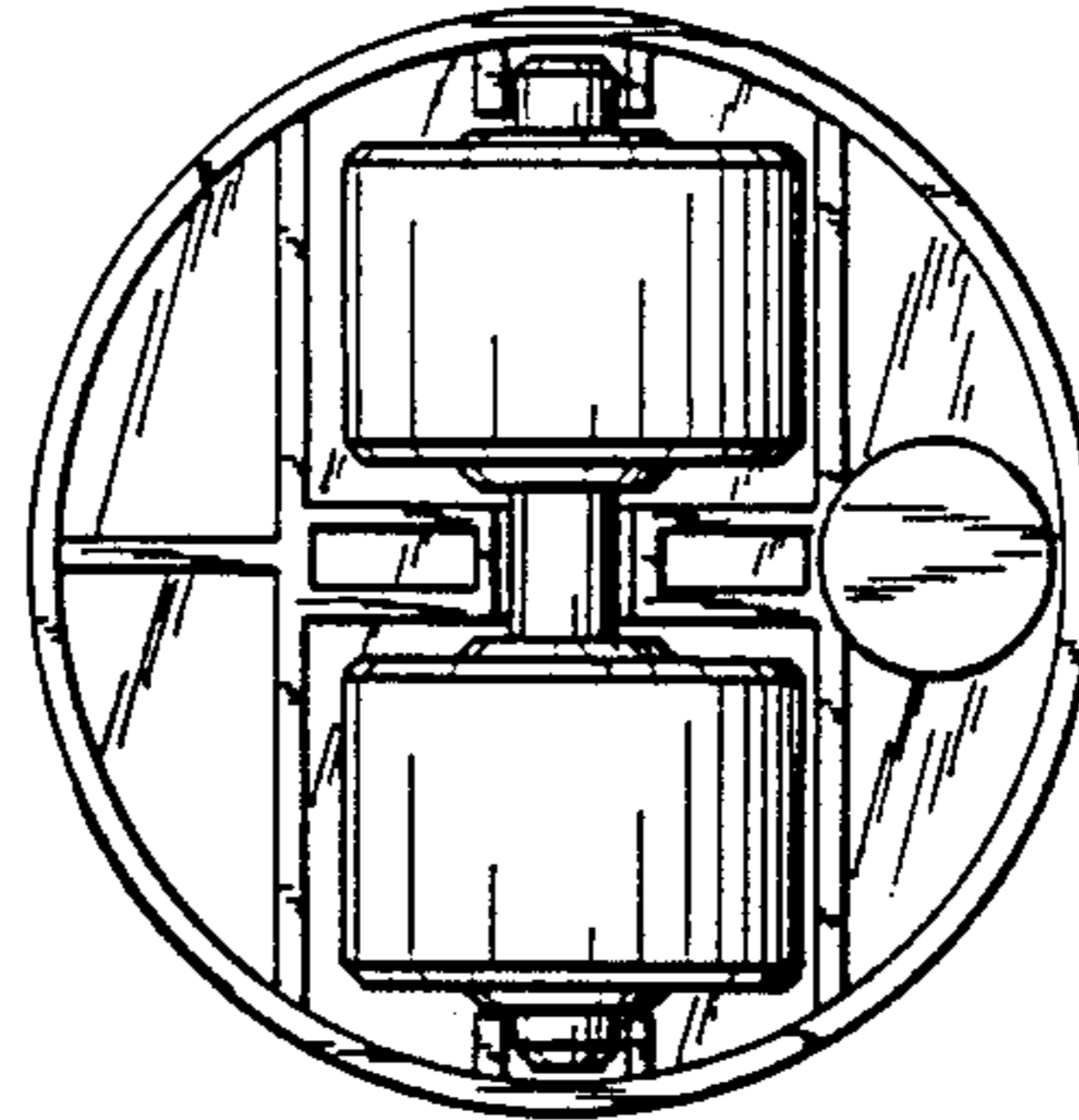


FIG. 4

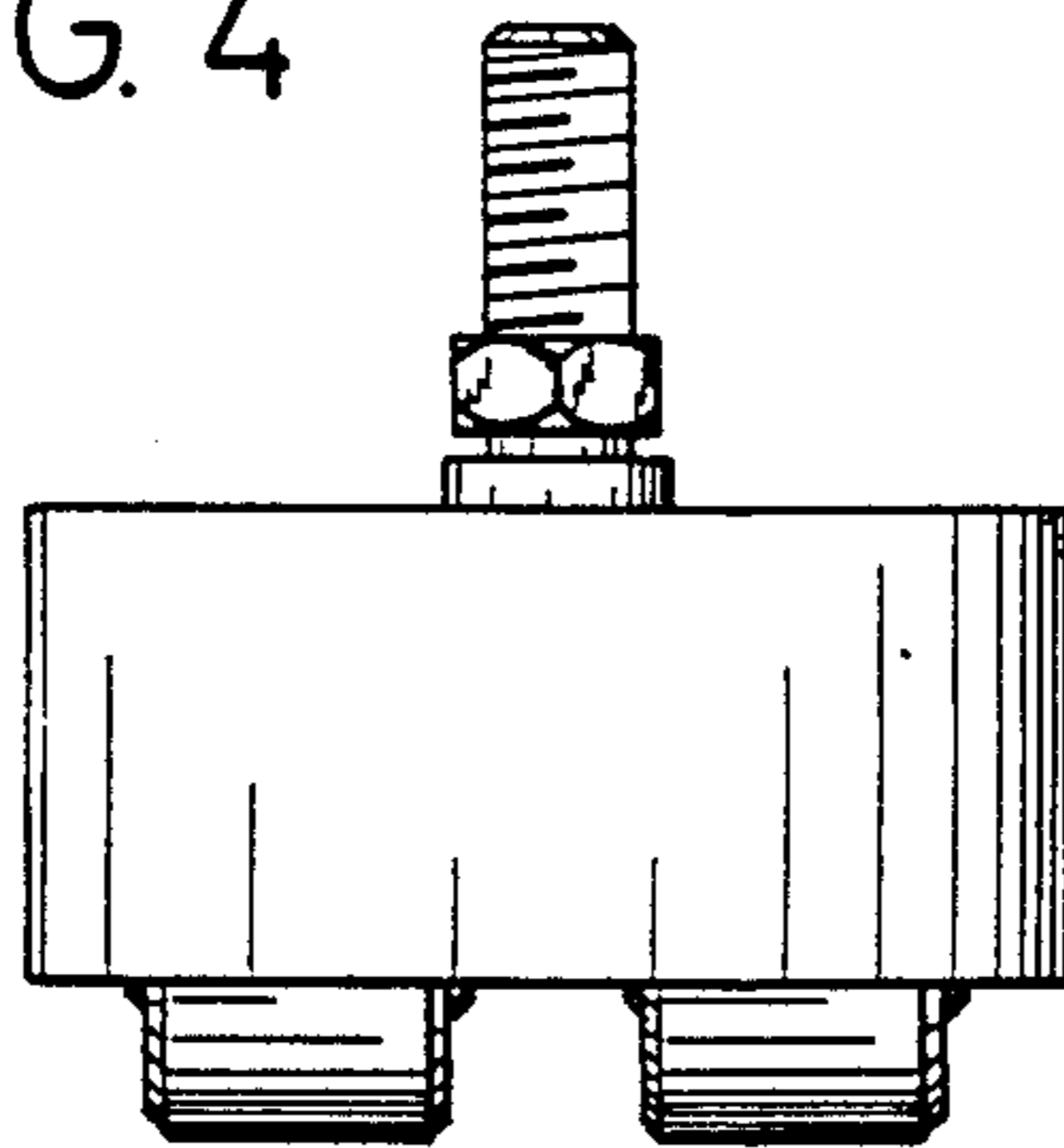


FIG. 3

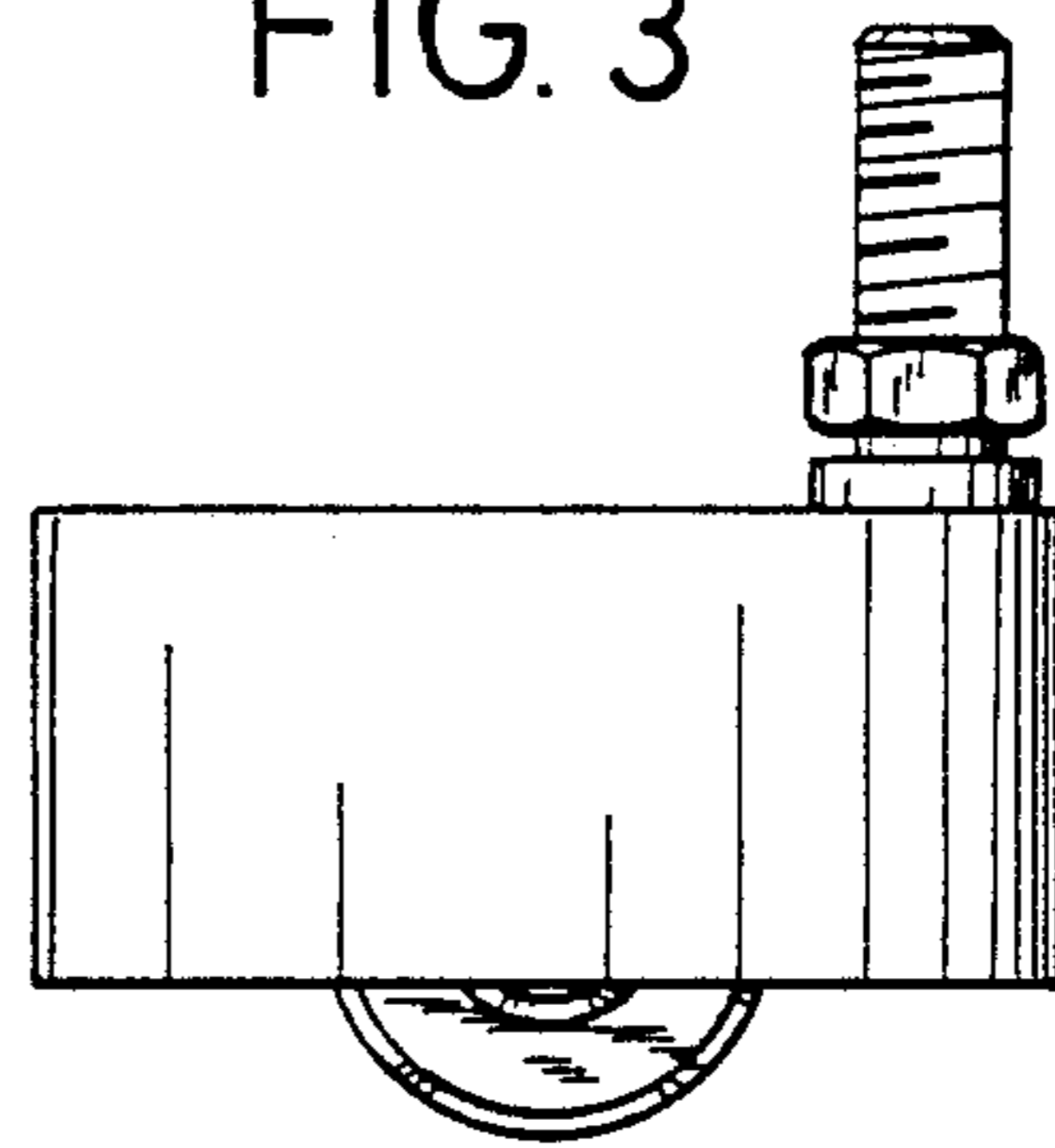


FIG. 5

