

[54] HANDLE FOR GRASS SHEARS

3,613,240 10/1971 Wallace 30/248

[75] Inventor: Larry D. Carter, 358 Burma Rd., Mosinee, Wis. 54455

Primary Examiner—Wallace R. Burke
Assistant Examiner—Brian N. Vinson
Attorney, Agent, or Firm—Foley & Lardner

[73] Assignee: Fiskars Oy Ab, Helsinki, Finland

[57] CLAIM

[**] Term: 14 Years

The ornamental design for a handle for grass shears, as shown and described.

[21] Appl. No.: 172,132

DESCRIPTION

[22] Filed: Mar. 23, 1988

[52] U.S. Cl. D8/8; D8/107

[58] Field of Search D8/4-5, D8/107; 30/185-186, 236, 241, 244, 246, 248-252, 254, 257, 261-262, 327

FIG. 1 is a left side elevational view of a handle for grass shears showing my new design, the broken line showing of the shear blade mechanism being for illustrative purposes only and forming no part of the claimed design.

[56] References Cited

U.S. PATENT DOCUMENTS

- D. 201,001 1/1968 Rogers D8/5
- D. 256,769 9/1980 Irelan D8/8
- D. 296,756 7/1988 Kozyrski D8/51
- 2,864,164 12/1958 Wallace 30/248

FIG. 2 is a top plan view thereof;

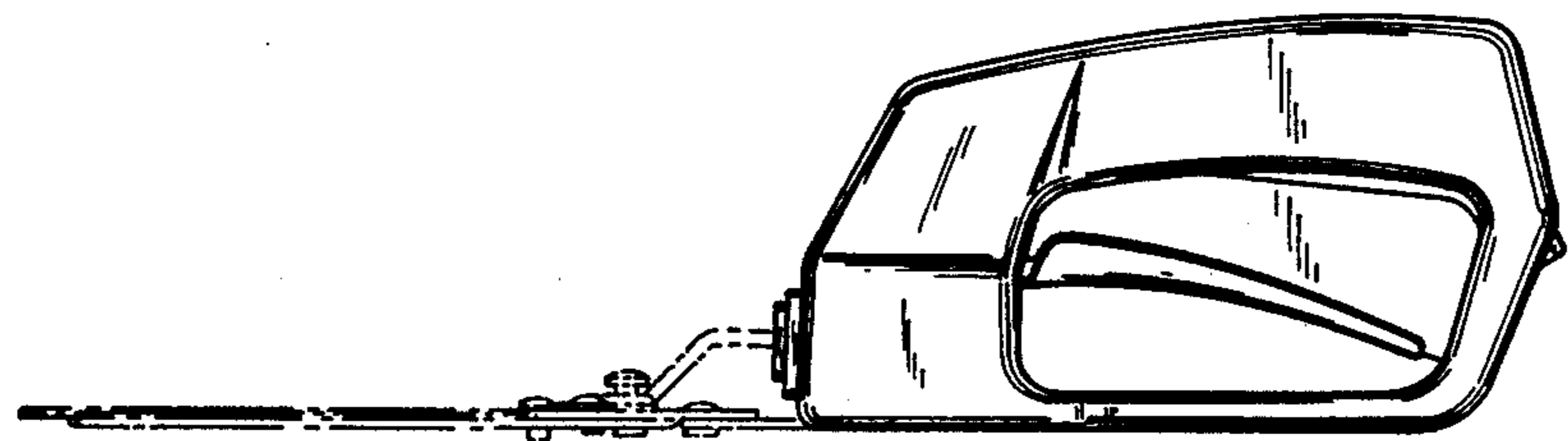
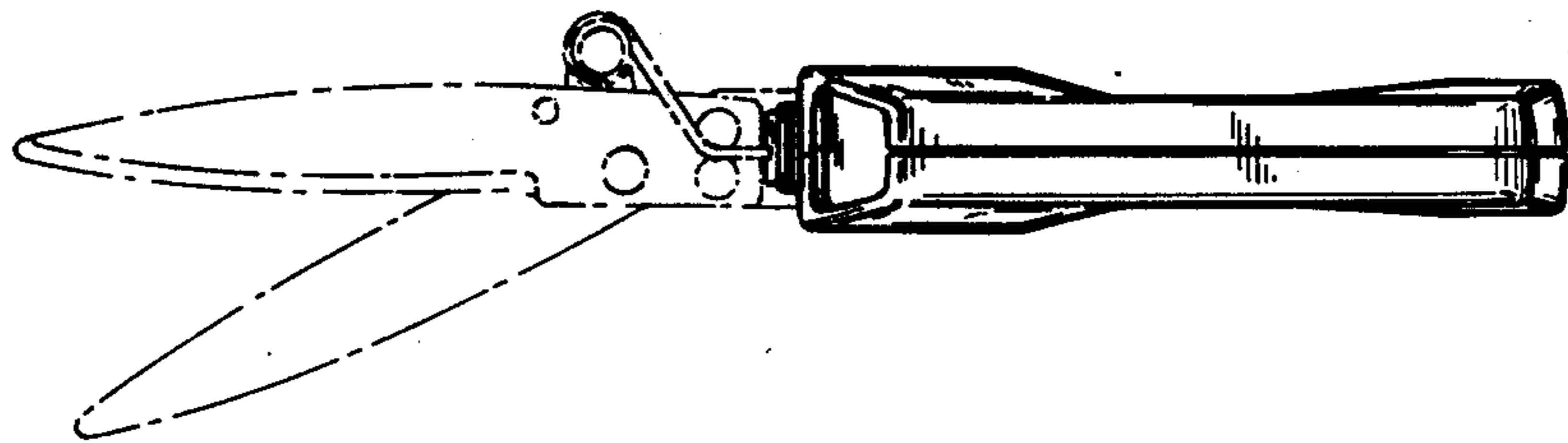
FIG. 3 is a bottom plan view thereof;

FIG. 4 is a front elevational view thereof;

FIG. 5 is a right side elevational view thereof;

FIG. 6 is a right side elevational view thereof showing the handle in a retracted position; and

FIG. 7 is a rear elevational view thereof.



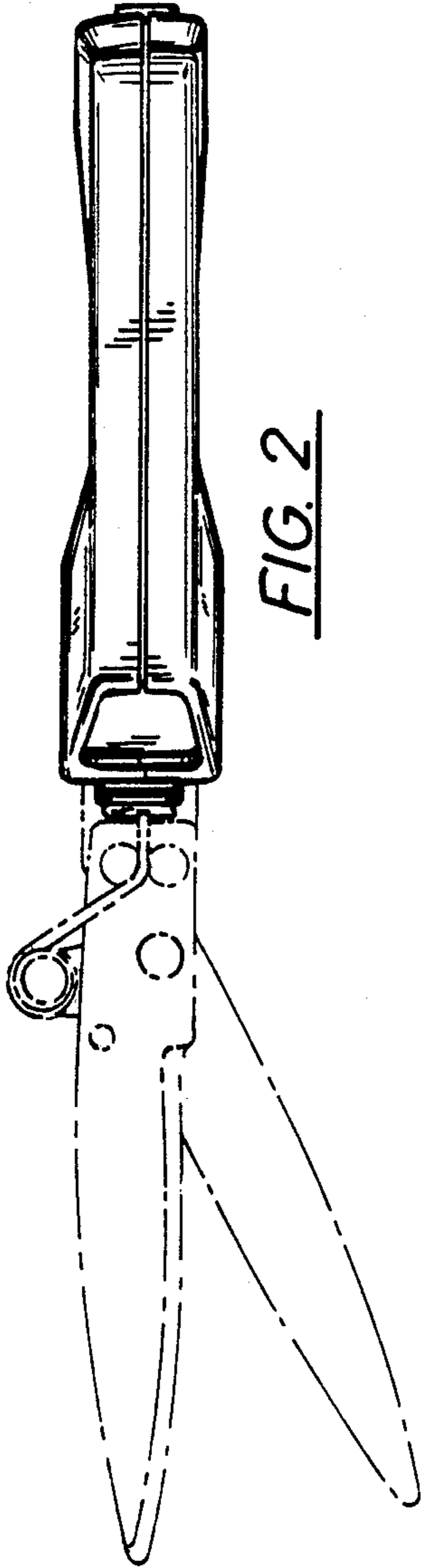


FIG. 2

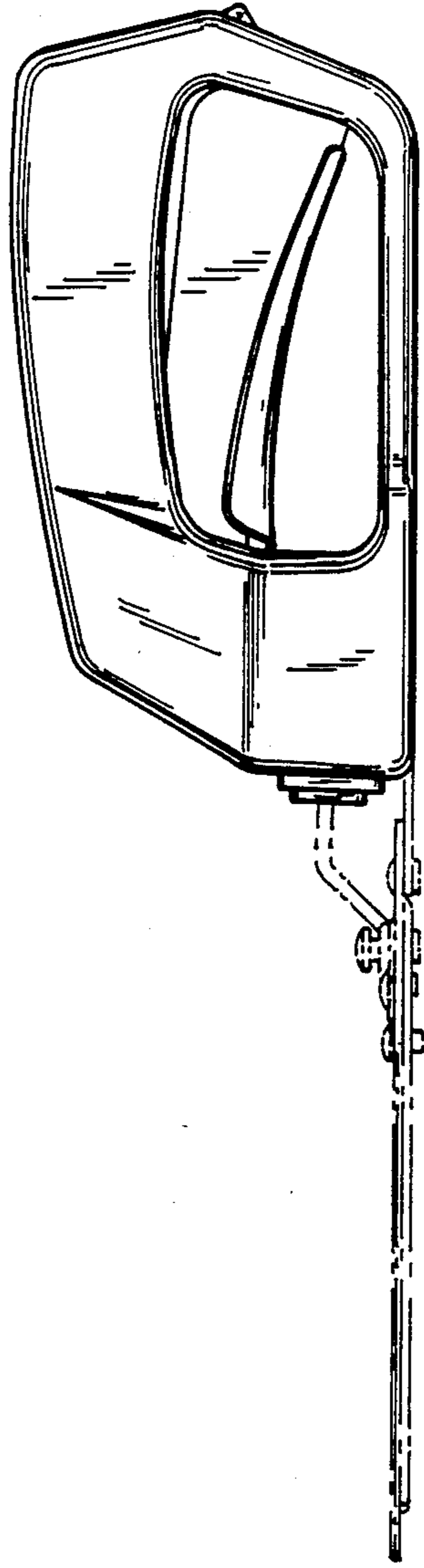


FIG. 1

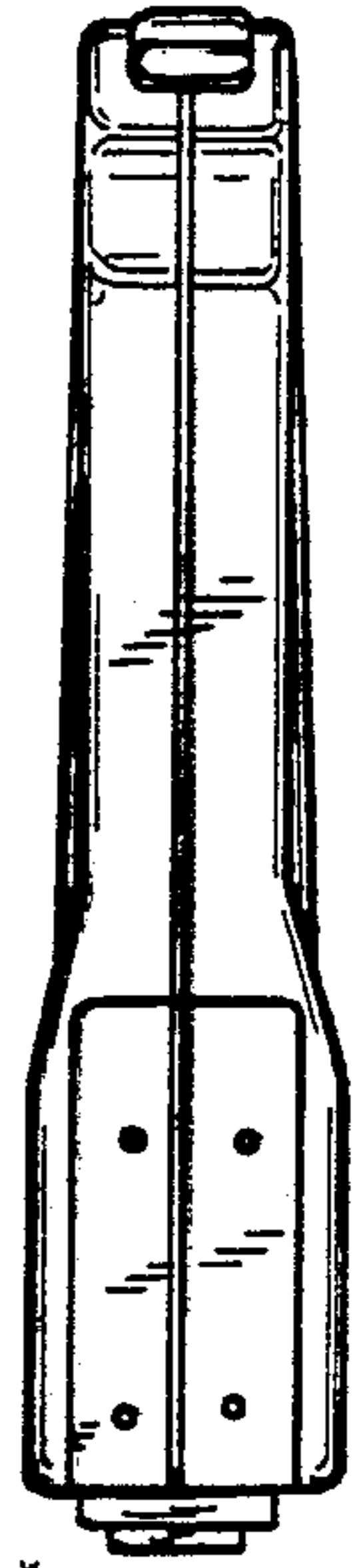


FIG. 3



FIG. 4

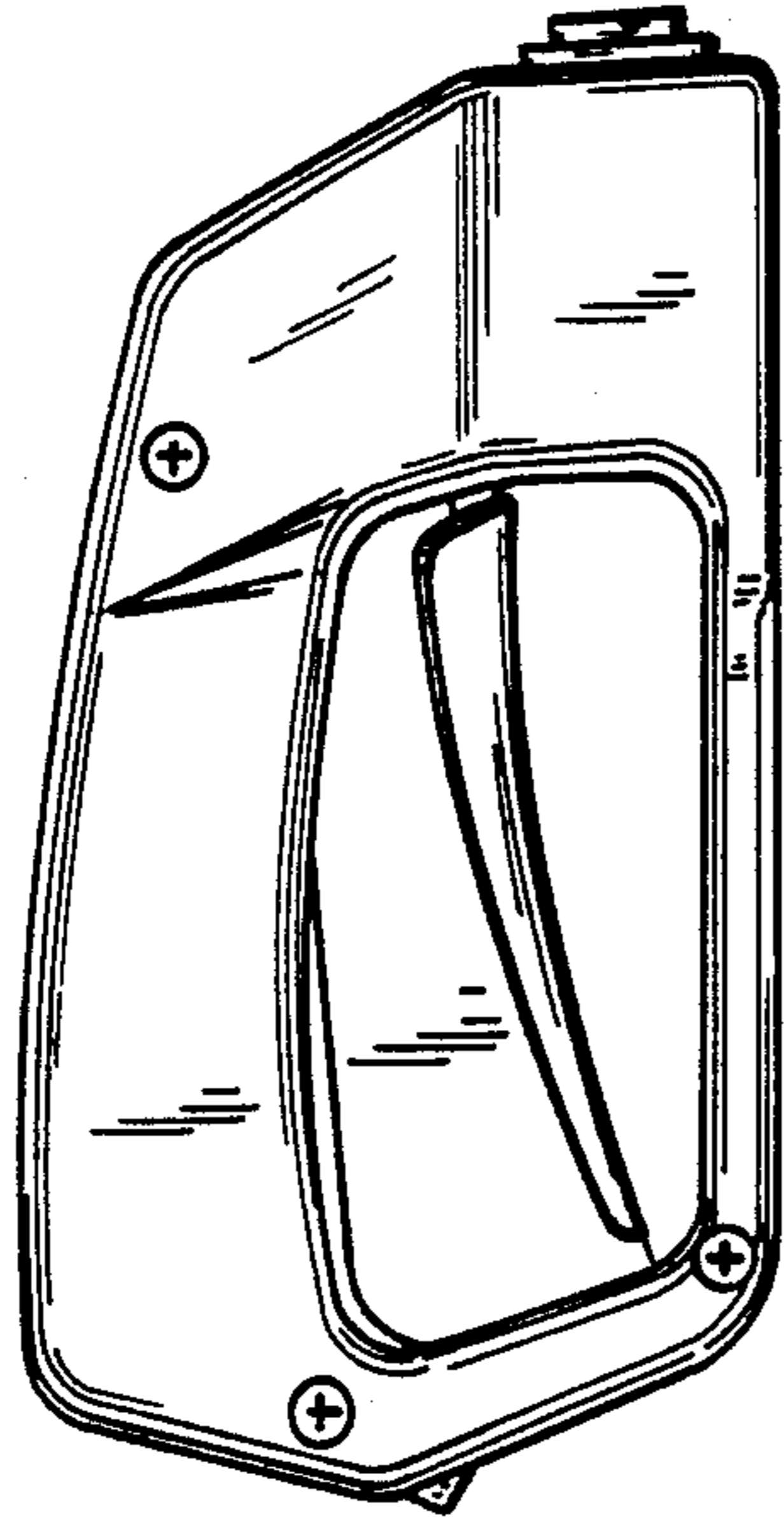


FIG. 5

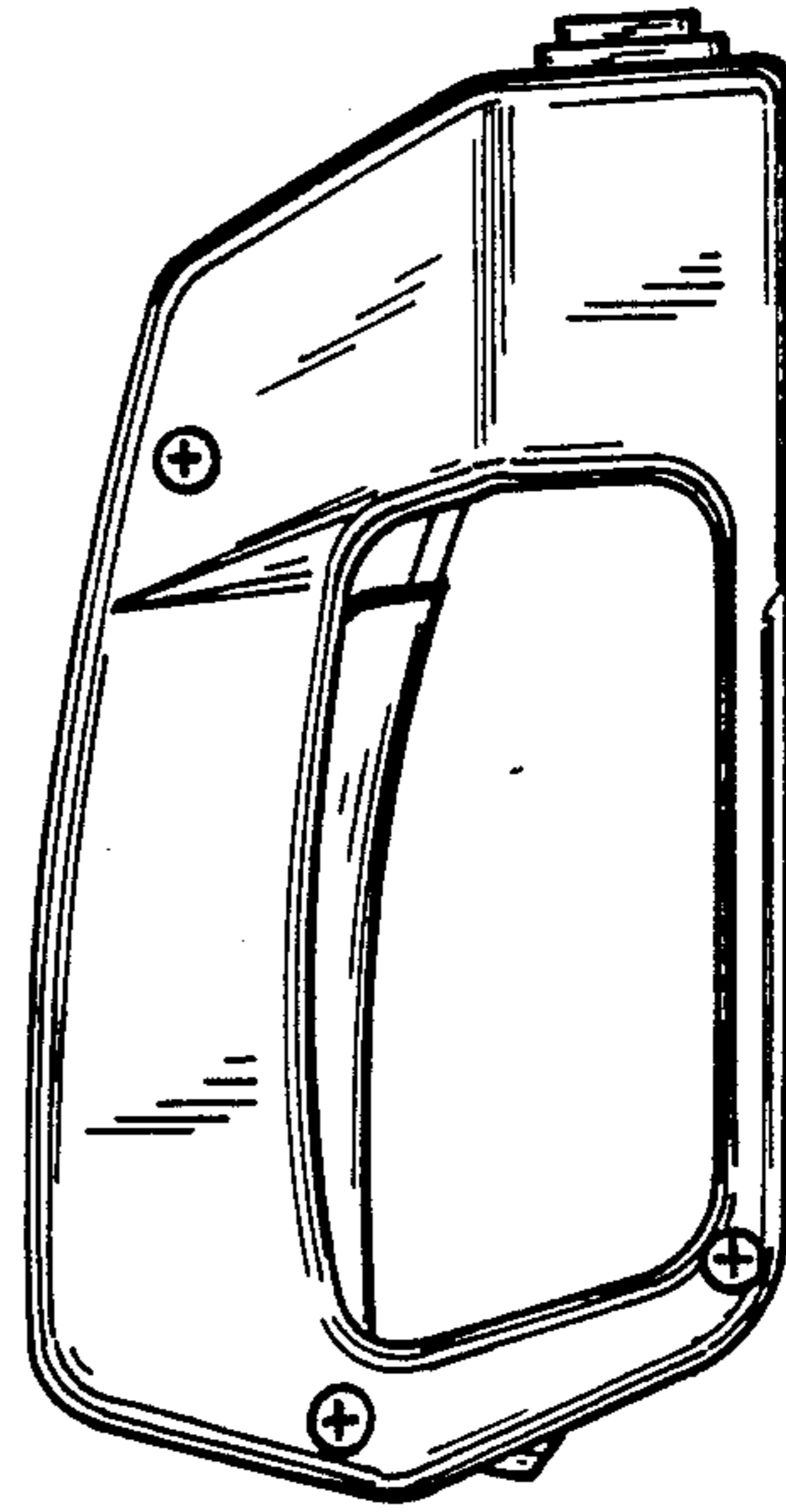


FIG. 6

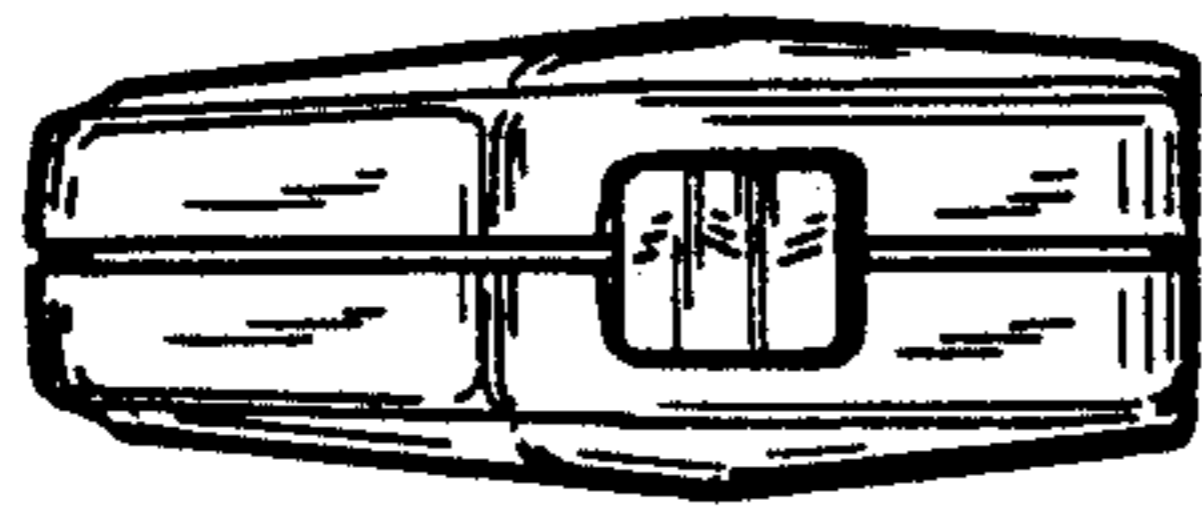


FIG. 7