

United States Patent [19]

Ryser

[11] Patent Number: **Des. 305,493**

[45] Date of Patent: **** Jan. 16, 1990**

[54] **PRESSURE COOKER COVER OR THE LIKE**

4,592,479 6/1986 Resende 220/209

[75] Inventor: **Theophil Ryser, Beckenried, Switzerland**

[73] Assignee: **AMC International Alfa Metalcraft Corporation, Switzerland**

[**] Term: **14 Years**

[21] Appl. No.: **857,464**

[22] Filed: **Apr. 25, 1986**

[30] **Foreign Application Priority Data**

Oct. 30, 1985 [WO] World Int. Prop.

O. DMA/000436

[52] U.S. Cl. **D7/391; D7/358**

[58] Field of Search 220/203, 209, 316; D7/391, 392, 387, 354, 360, 361, 358, 393

[56] **References Cited**

U.S. PATENT DOCUMENTS

D. 184,909	4/1959	Boldt	D7/358
D. 261,349	10/1981	Ryser	D7/393
D. 298,506	11/1988	Lee	D7/393
2,463,516	3/1949	Burkhardt	220/203 X
2,598,220	5/1952	Burkhardt	99/450 X
4,162,741	7/1979	Walker et al.	220/203

OTHER PUBLICATIONS

Presto Supplement to Home Furnishings Daily, Section I, Sep. 11, 1978, back page, Pressure Cooker in top right of middle panel.

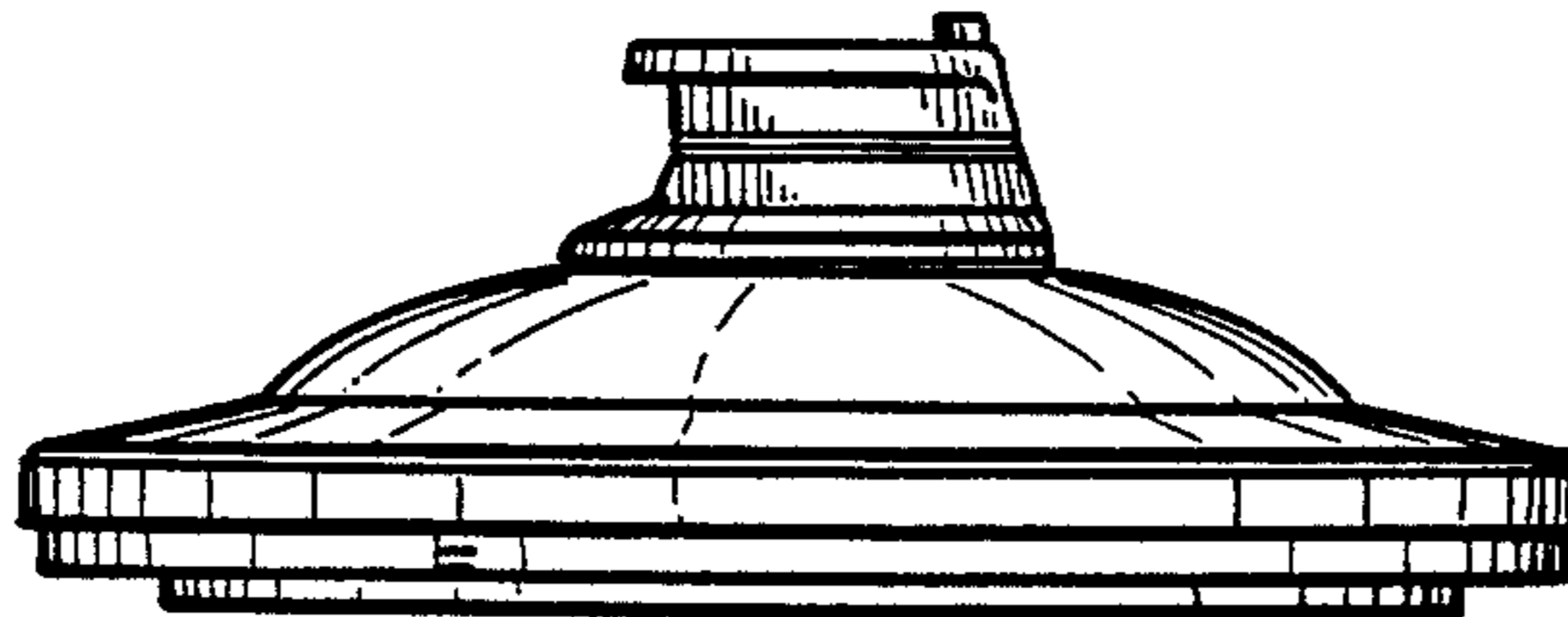
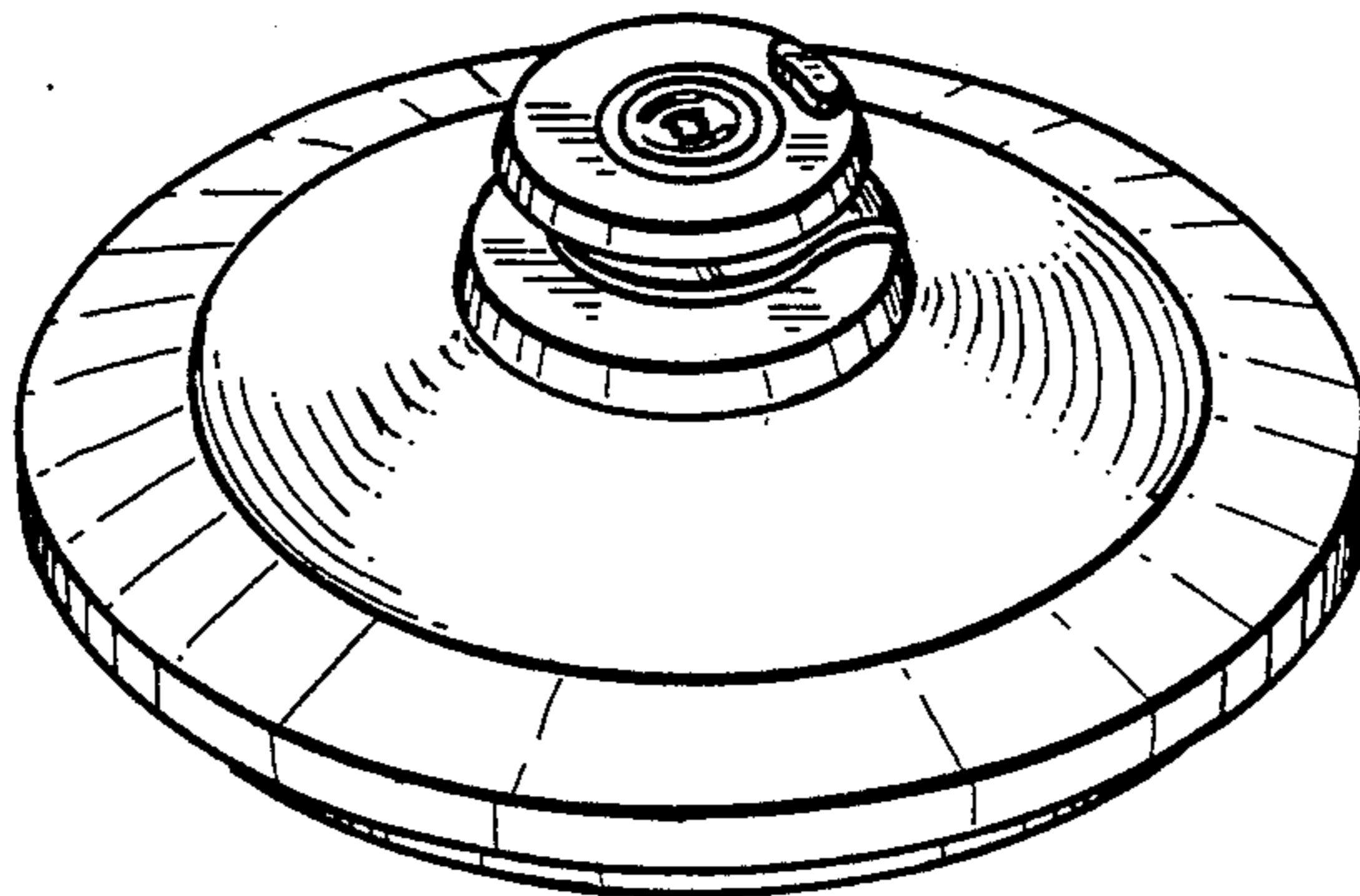
Primary Examiner—Winifred E. Herrmann
Attorney, Agent, or Firm—Webb, Burden, Ziesenheim & Webb

[57] CLAIM

The ornamental design for a pressure cooker cover or the like, as shown.

DESCRIPTION

FIG. 1 is a top plan view of a pressure cooker cover or the like showing my new design;
FIG. 2 is a bottom plan view thereof;
FIG. 3 is a top perspective view thereof;
FIG. 4 is a bottom perspective view thereof;
FIG. 5 is a front elevational view thereof;
FIG. 6 is a rear elevational view thereof;
FIG. 7 is a fragmentary right side elevational view thereof; and
FIG. 8 is a fragmentary left side elevational view thereof.



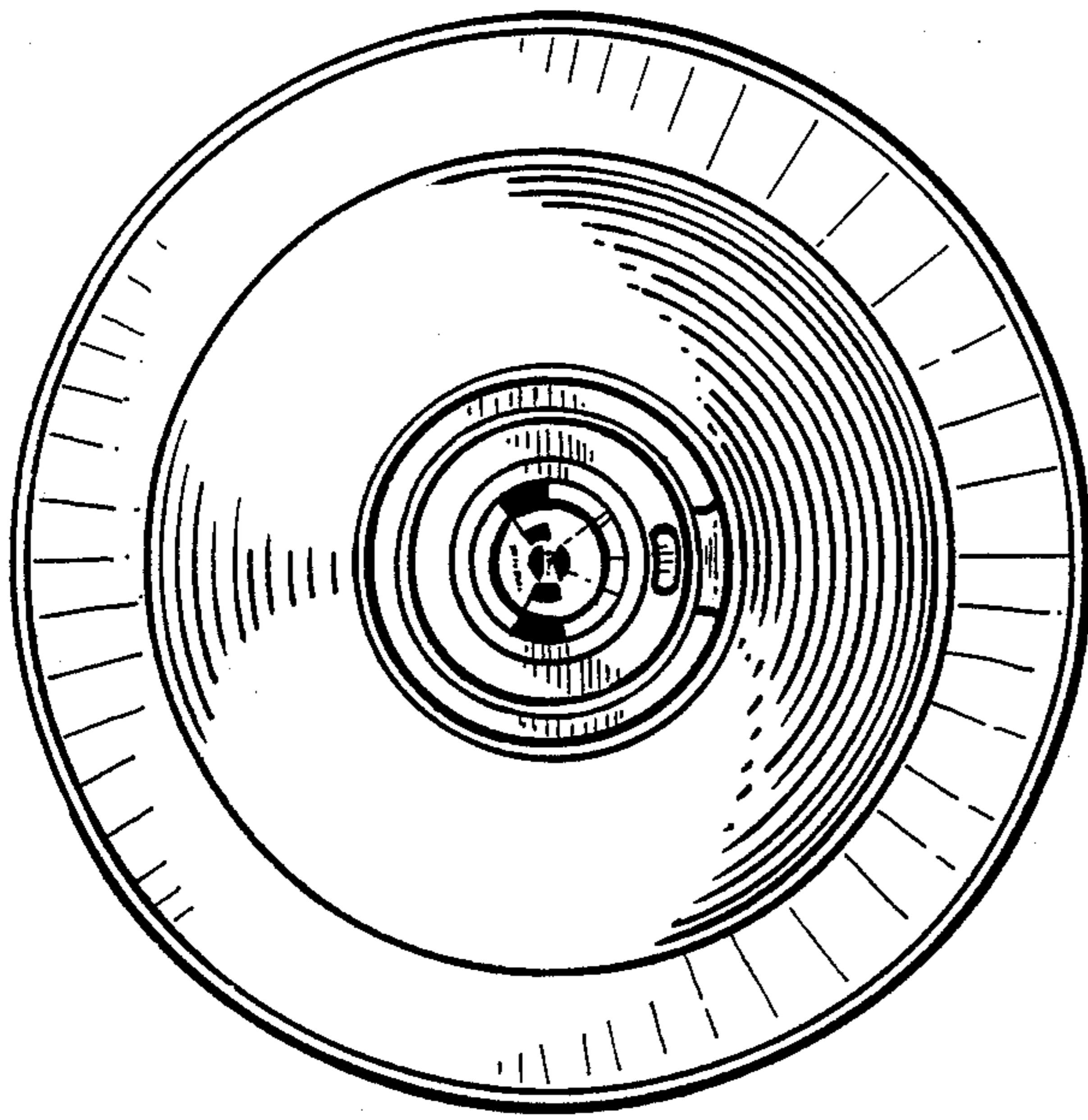


FIG. 1

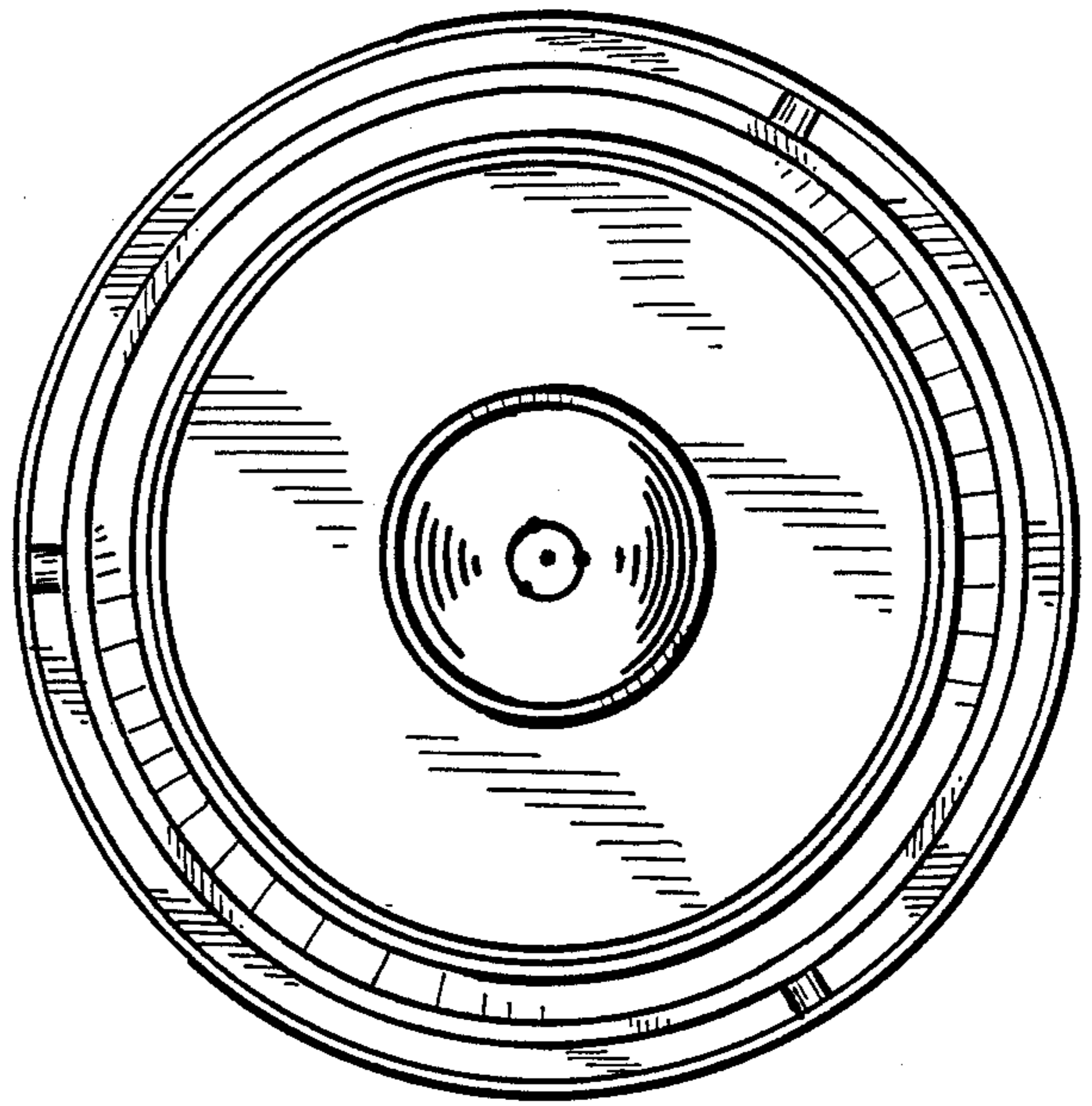


FIG. 2

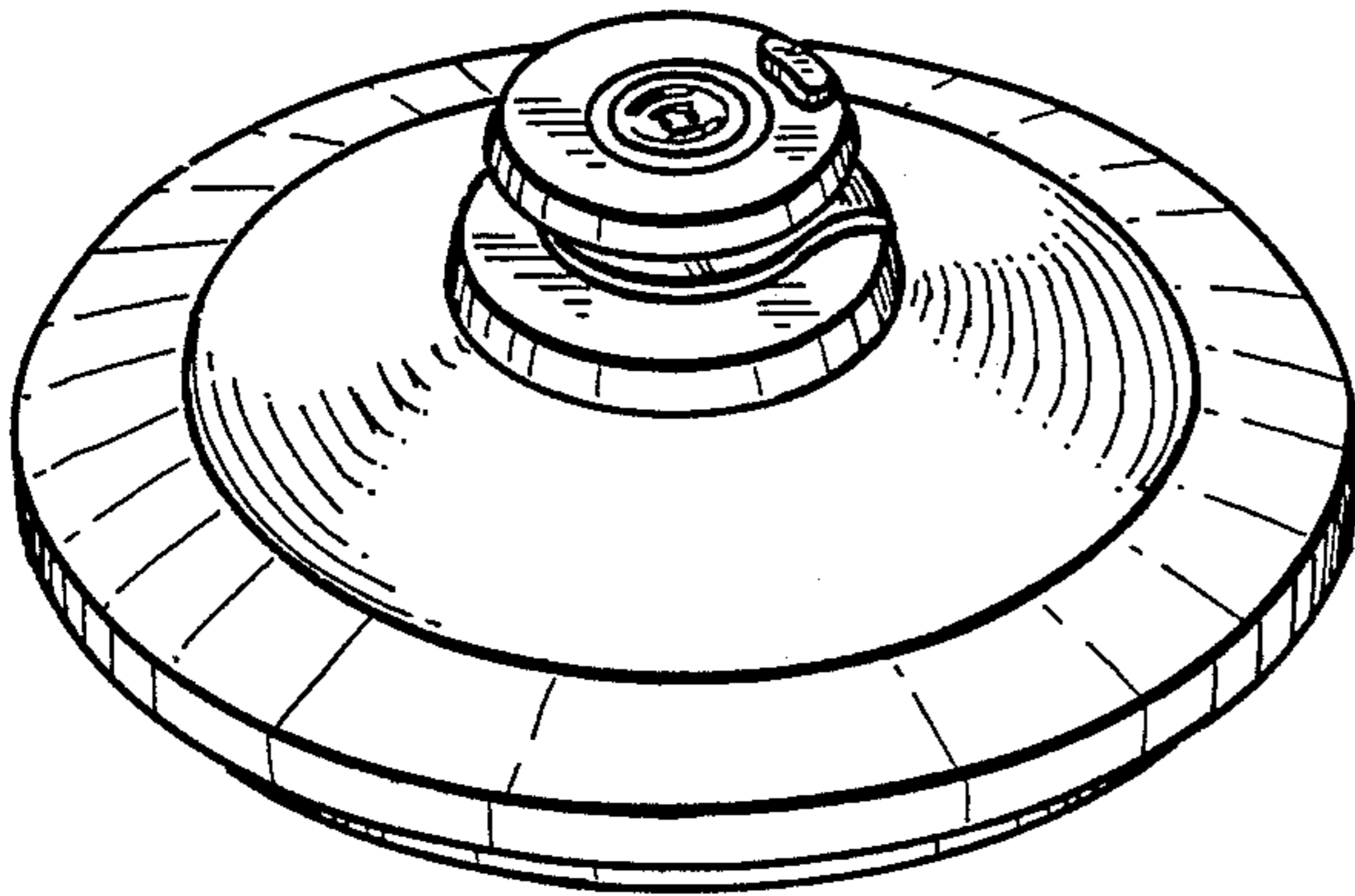


FIG. 3

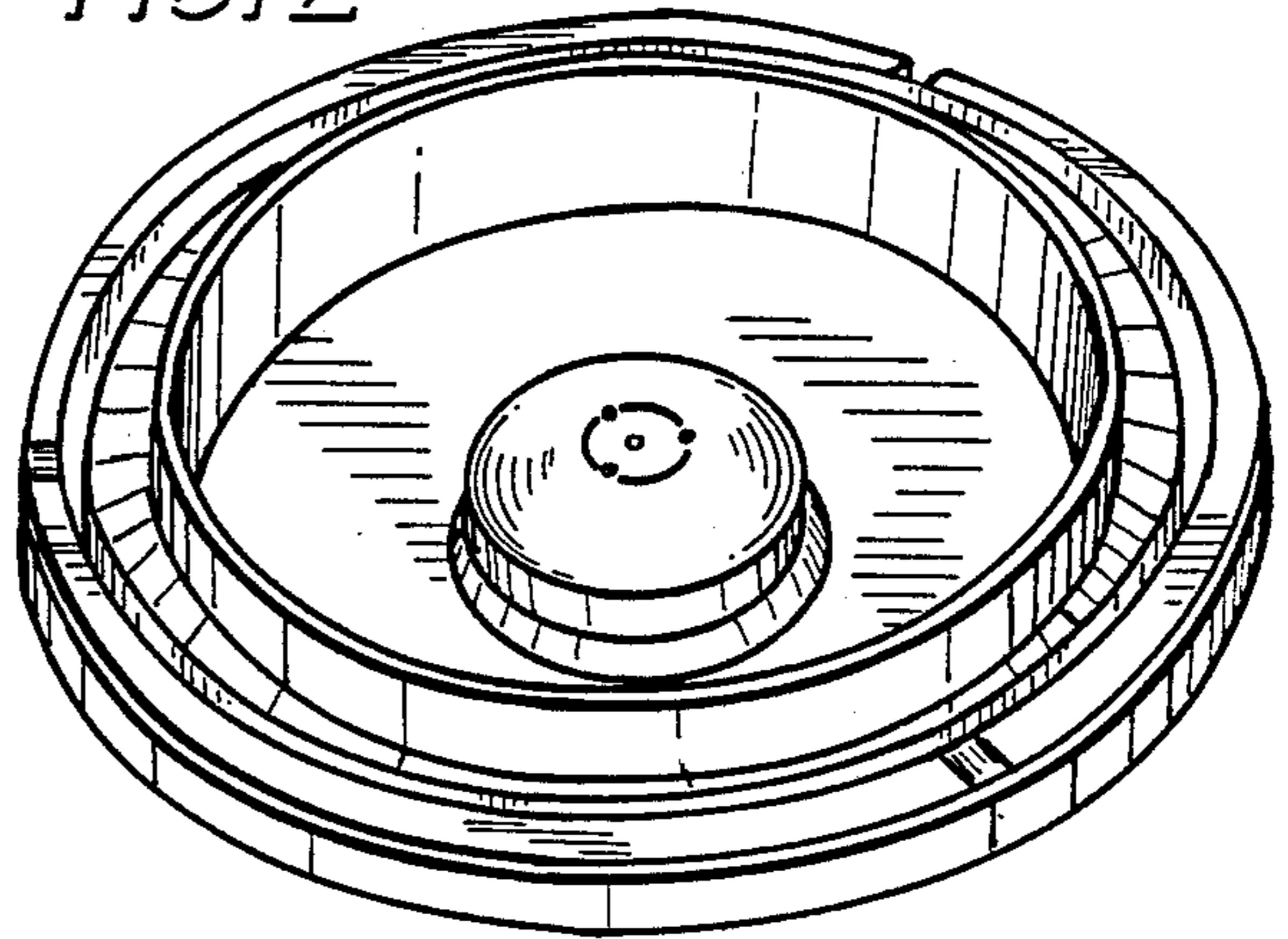


FIG. 4

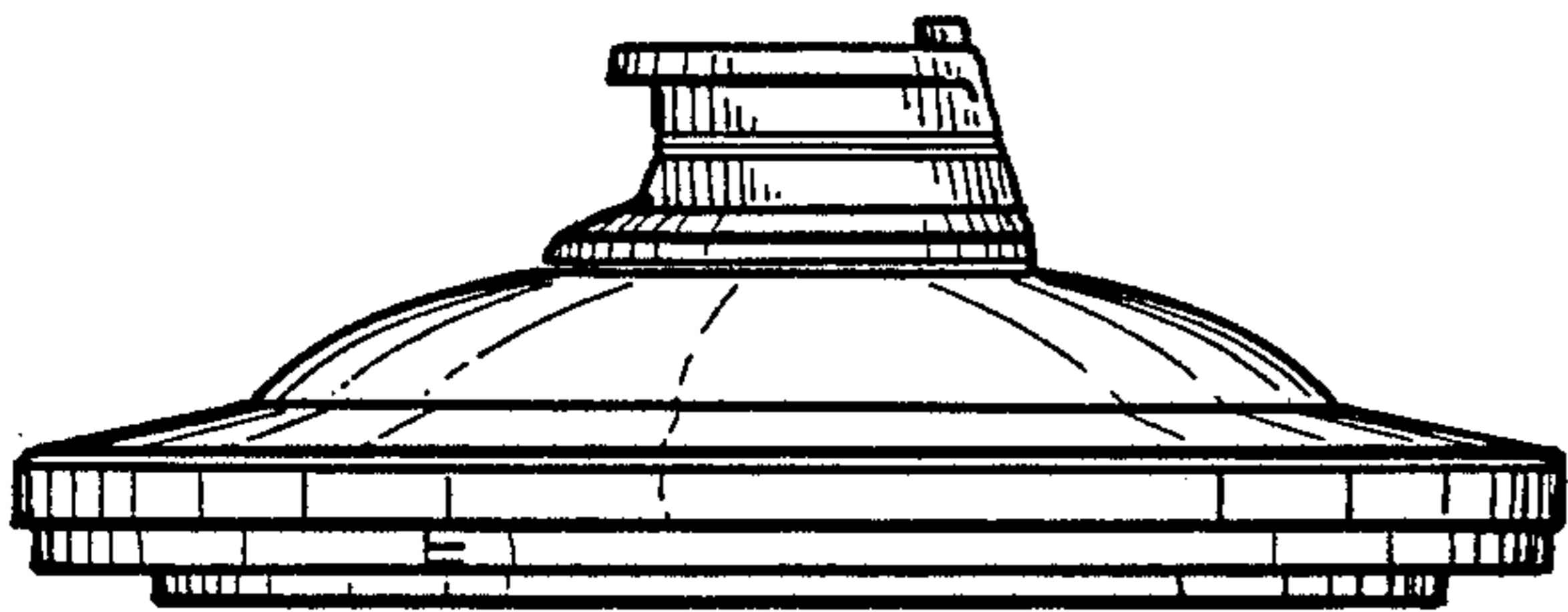


FIG. 5

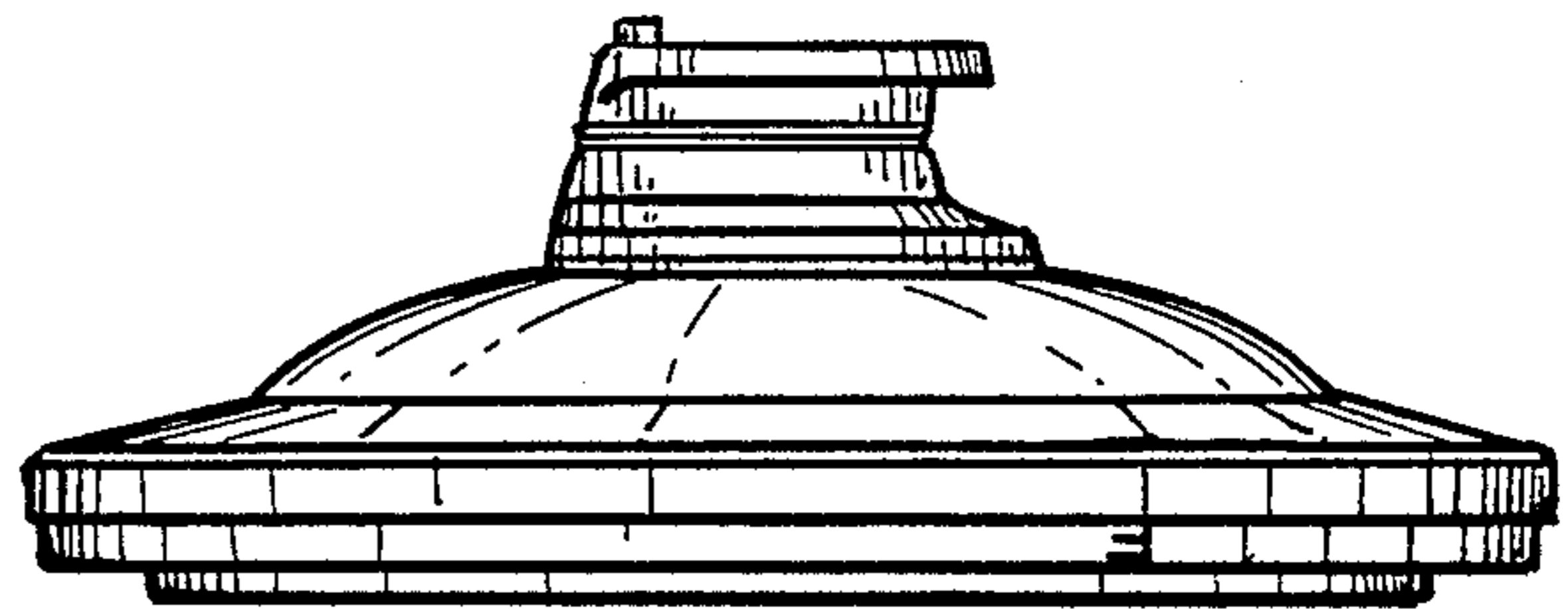


FIG. 6

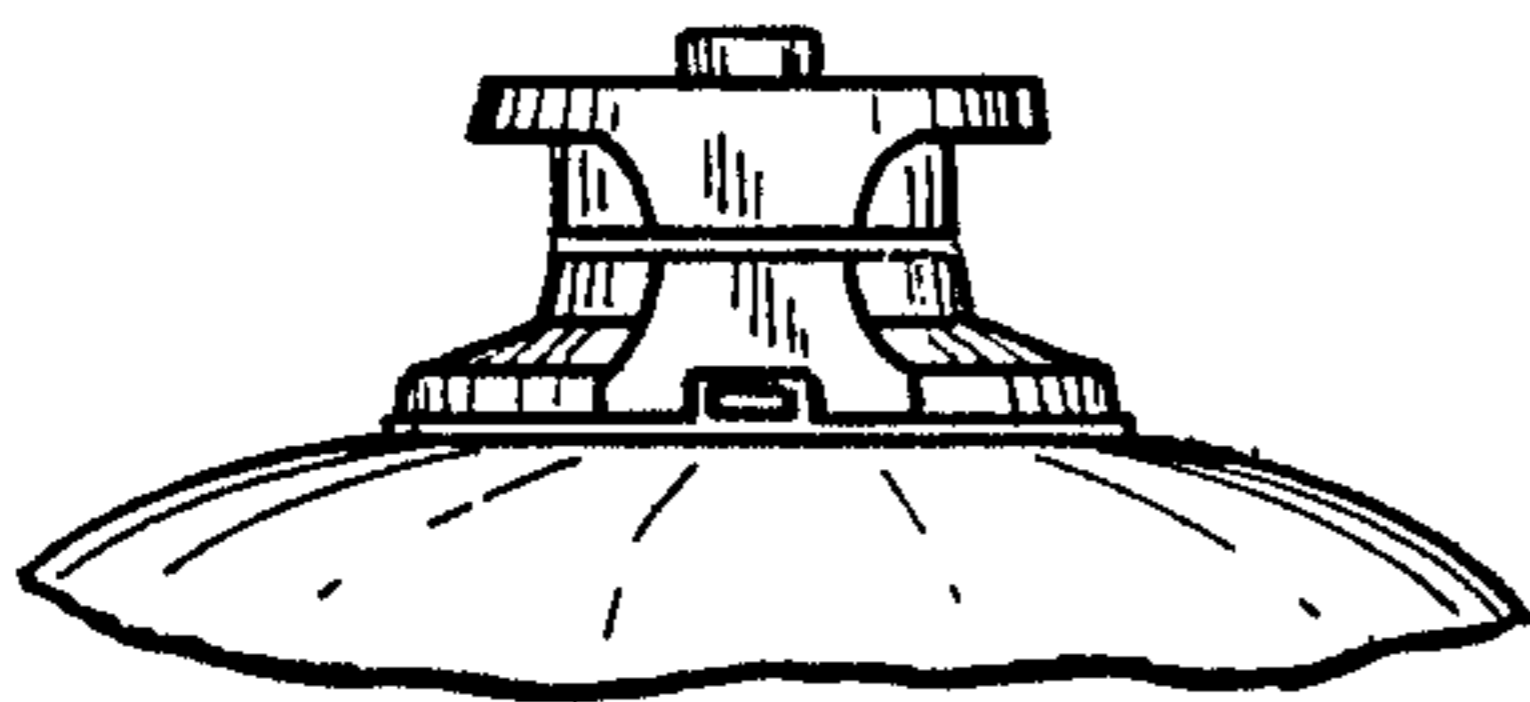


FIG. 7

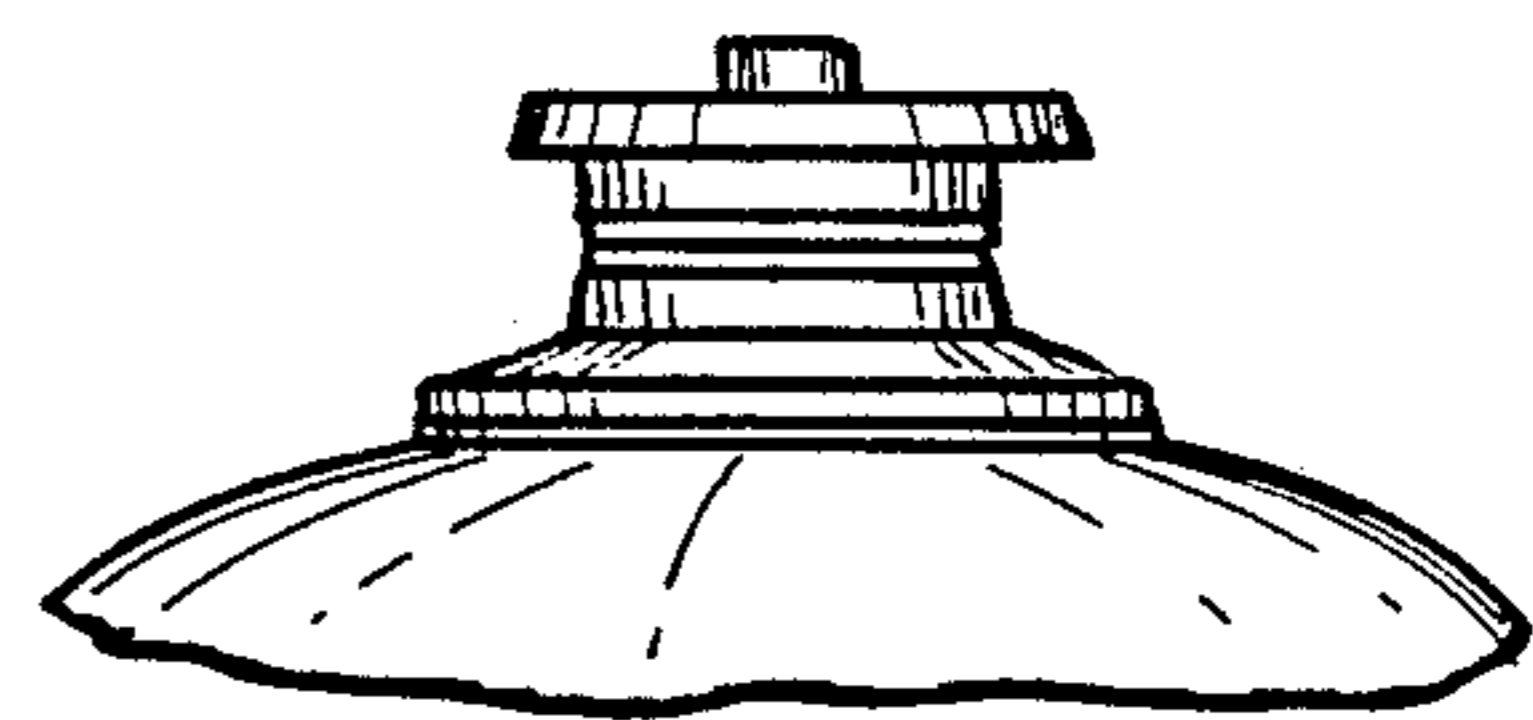


FIG. 8