

# United States Patent [19]

Conley et al.

[11] Patent Number: **Des. 305,490**

[45] Date of Patent: **\*\* Jan. 16, 1990**

[54] **INSULATED FOOD DELIVERY CARRIER**

[75] Inventors: **James R. Conley; Neill E. Bryan; Dan J. Jonker**, all of Wichita, Kans.

[73] Assignee: **Coleman Outdoor Products, Inc.**, Wichita, Kans.

[\*\*] Term: **14 Years**

[21] Appl. No.: **33,637**

[22] Filed: **Apr. 3, 1987**

[52] U.S. Cl. .... **D7/77**

[58] Field of Search ..... **D7/76, 77; D9/420, 424, D9/432; D3/30.1; 206/315.1, 569, 223; 62/457.1, 457.7, 457.2, 371, 529; 220/412, 903, DIG. 10**

[56] **References Cited**

**U.S. PATENT DOCUMENTS**

D. 227,537 7/1973 Farris ..... **D7/77**

3,938,688 2/1976 Ryan ..... 206/541 X  
4,768,651 9/1988 Lanius ..... 206/315.1 X

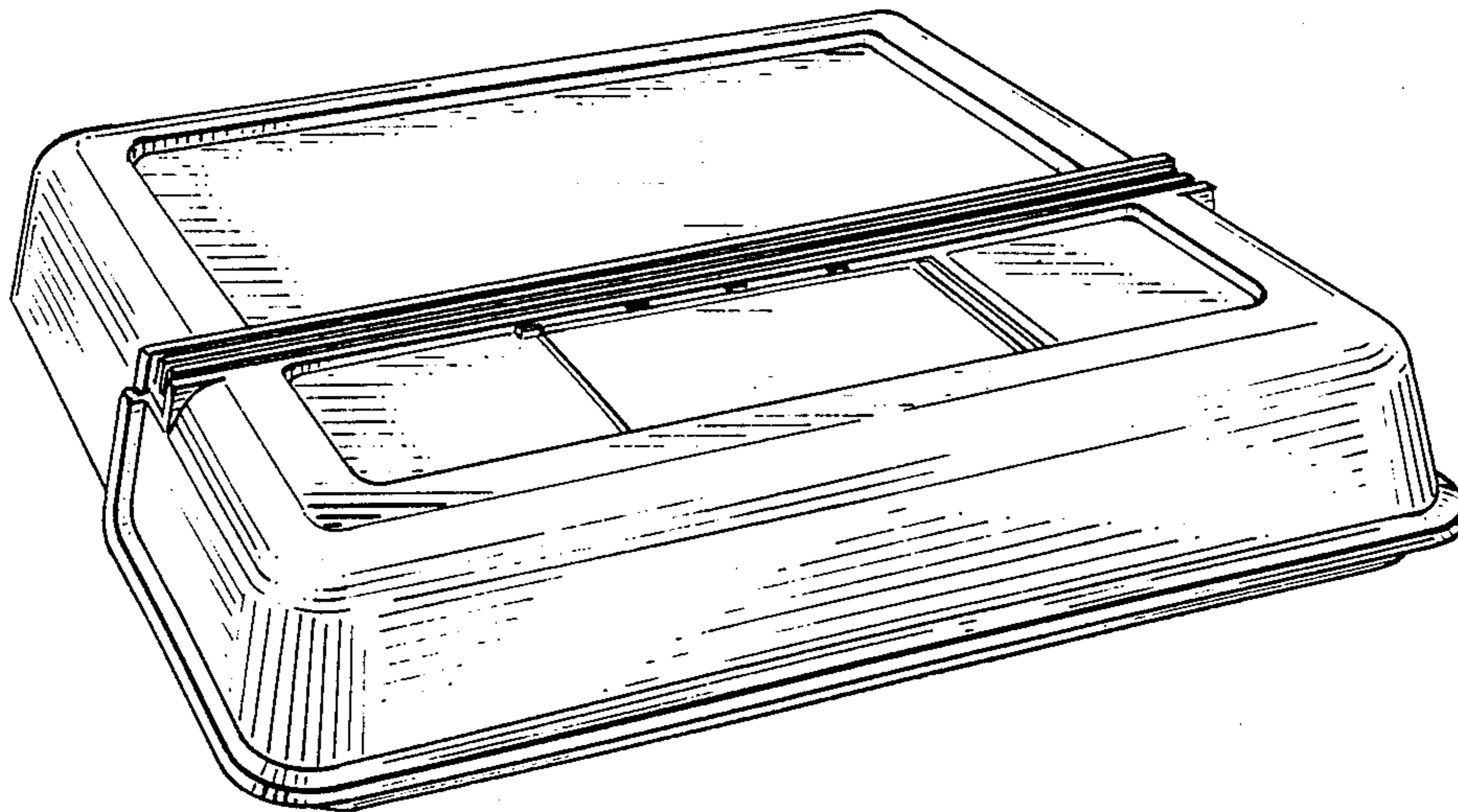
*Primary Examiner*—Bernard Ansher  
*Assistant Examiner*—Terry A. Pfeffer

[57] **CLAIM**

The ornamental design for a insulated food delivery carrier, as described and shown.

**DESCRIPTION**

FIG. 1 is a perspective view of the insulated food delivery carrier showing our new design;  
FIG. 2 is a top plan view thereof;  
FIG. 3 is a front elevational view thereof;  
FIG. 4 is a left side elevational view thereof, the right side being a mirror image;  
FIG. 5 is a left side elevational view thereof with the cover in an open position;  
FIG. 6 is a rear elevational view thereof; and  
FIG. 7 is a bottom plan view thereof.



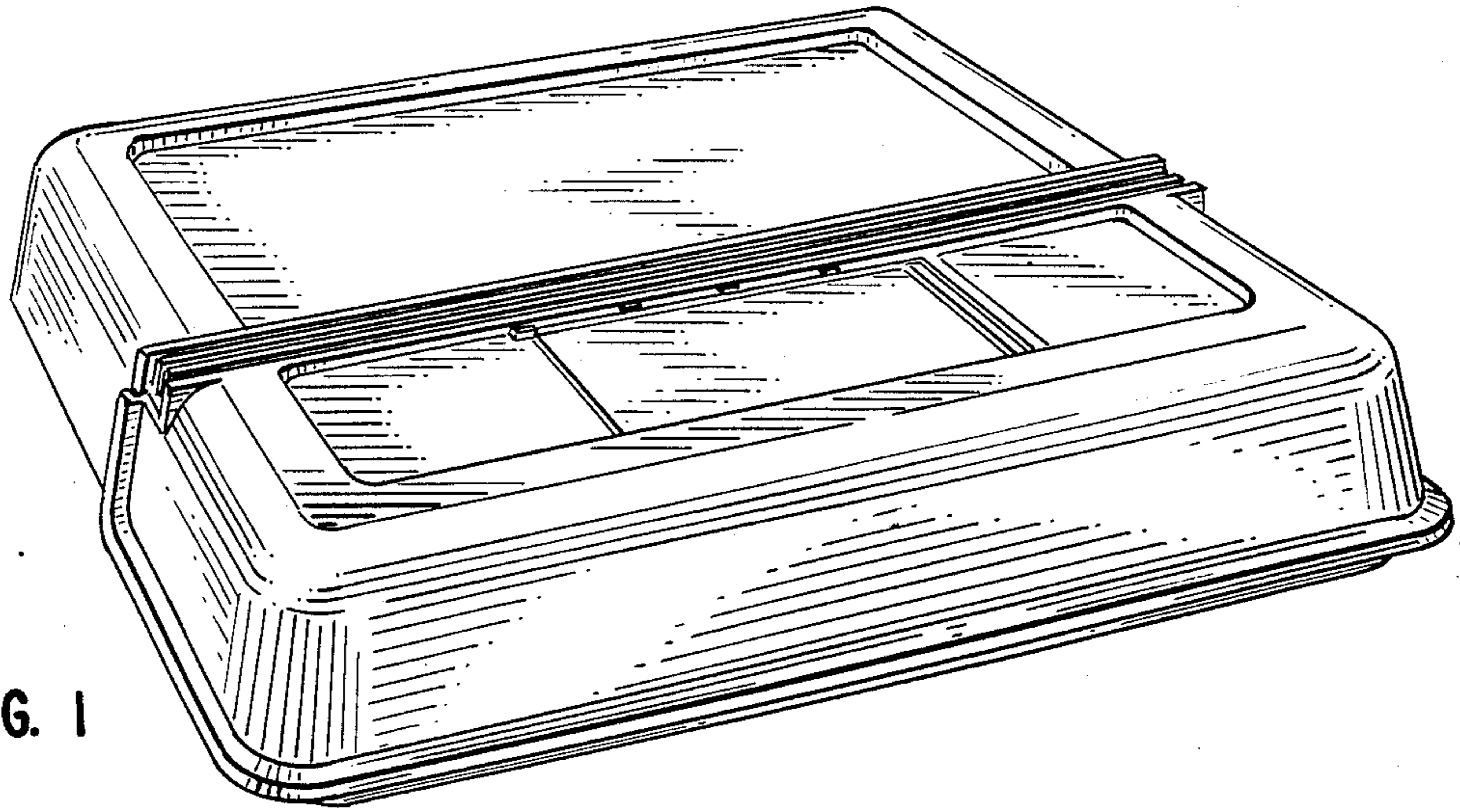


FIG. 1

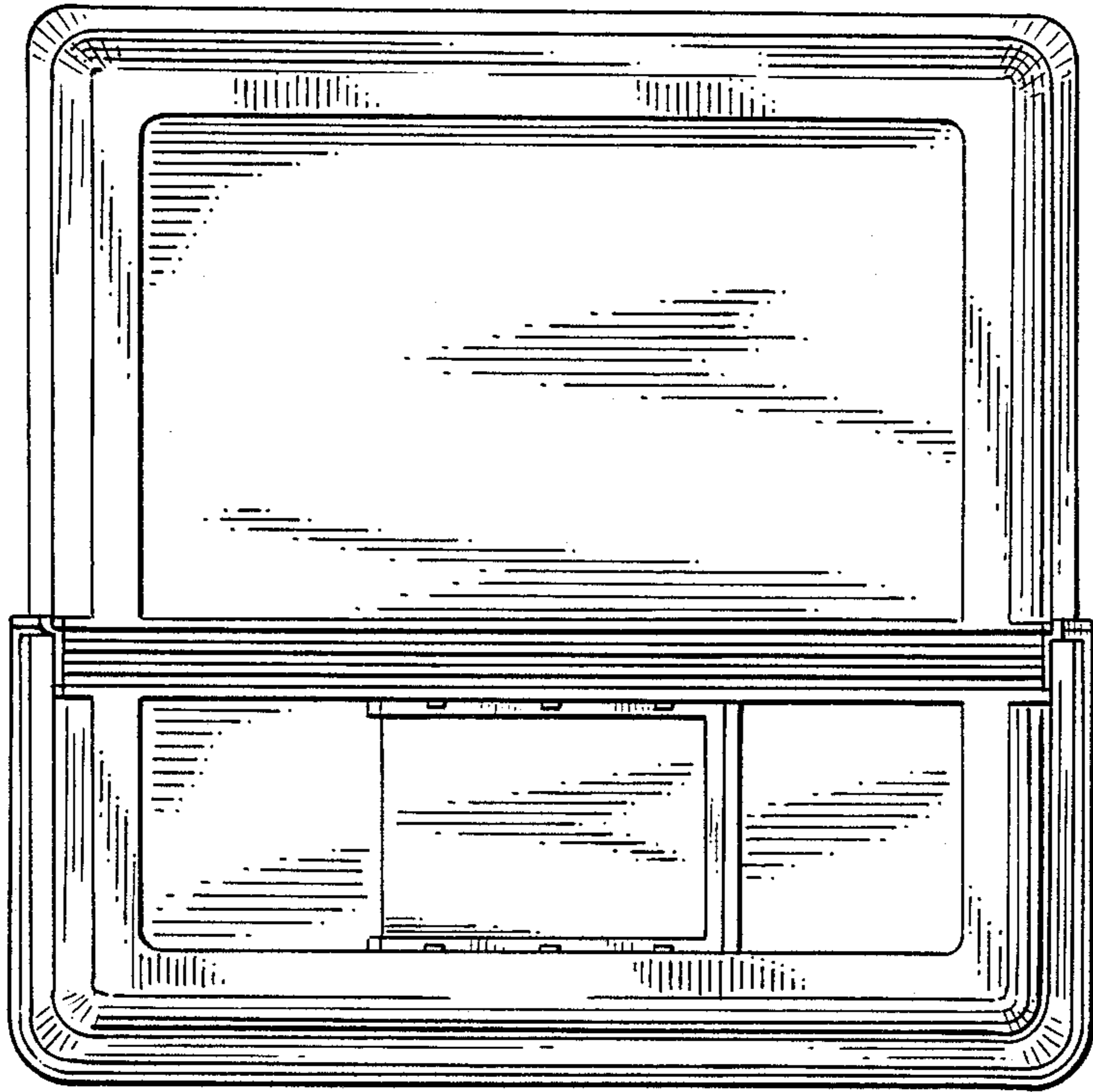


FIG. 2

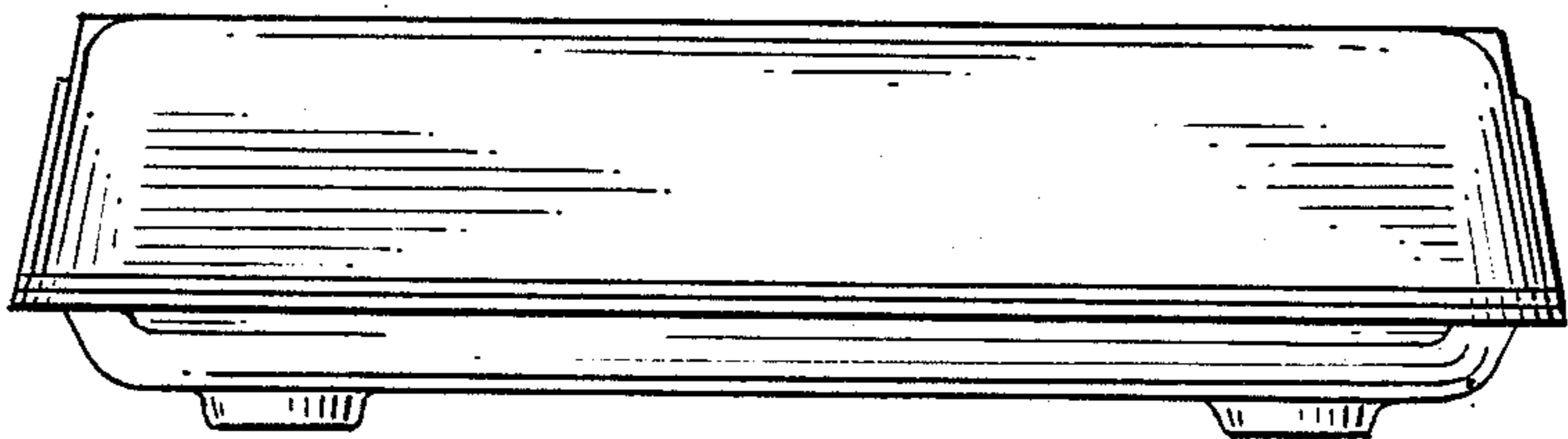


FIG. 3

FIG. 4

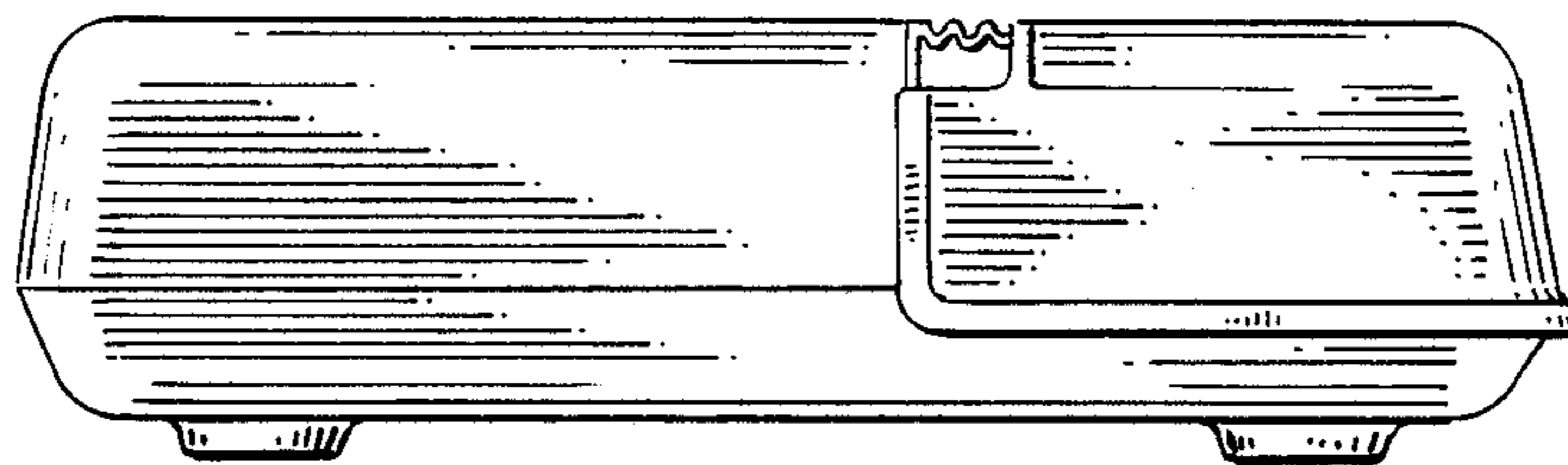


FIG. 5

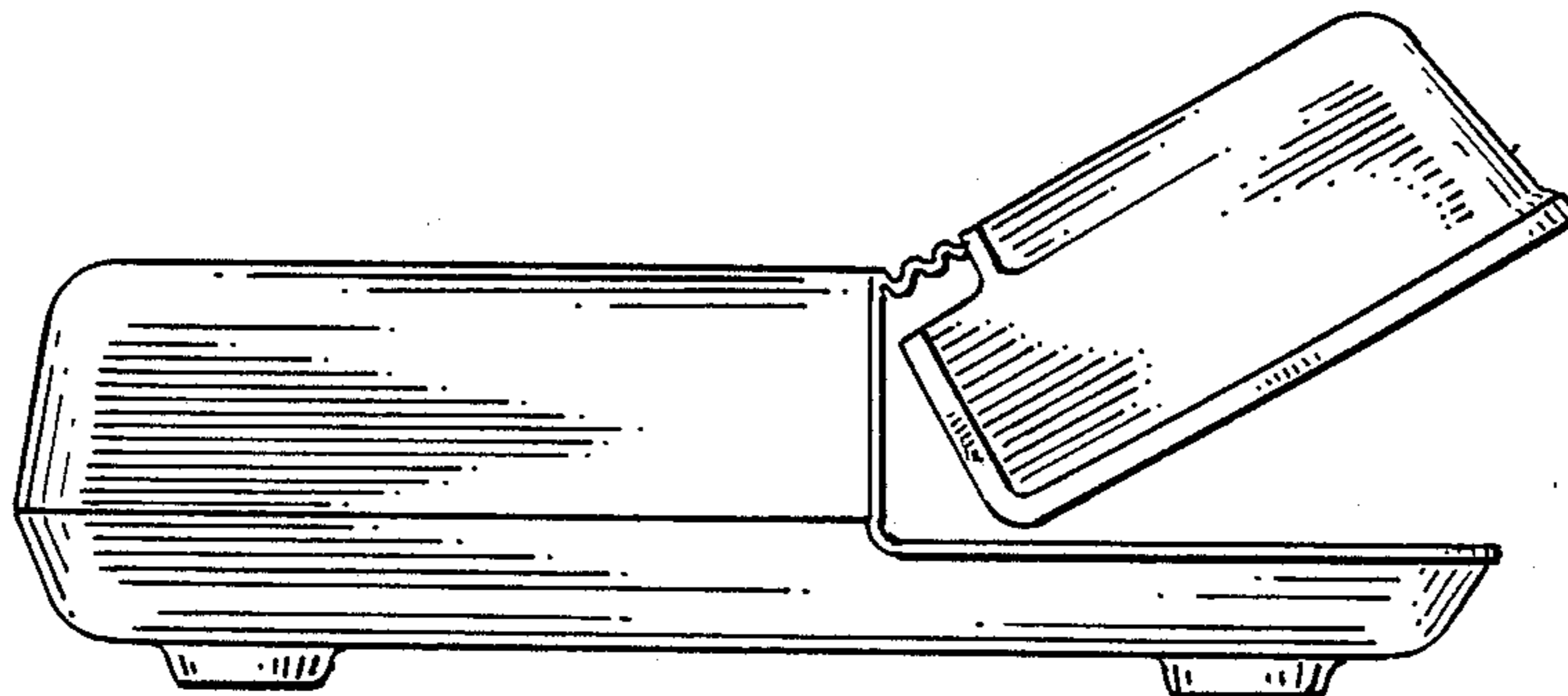


FIG. 6

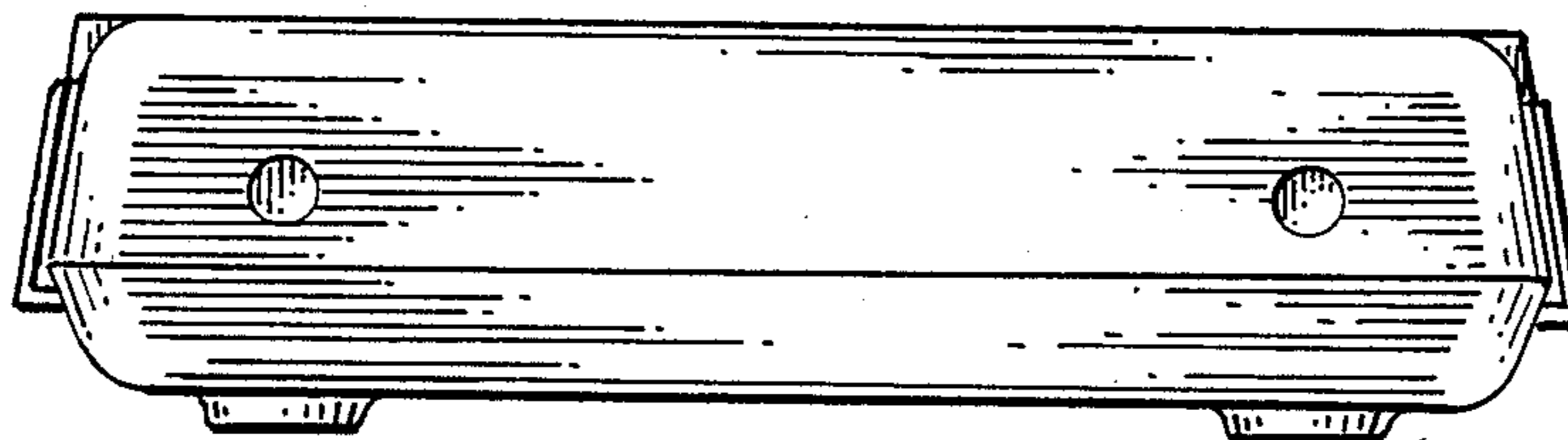


FIG. 7

