

[54] SEAT MOUNT

4,518,139 5/1985 Barfell ..... 297/349 X

[76] Inventor: **Frank L. Kinda**, 12112 E. Centralia St., Hawaiian Gardens, Calif. 90716

*Primary Examiner*—Carmen H. Vales-Lado  
*Assistant Examiner*—Schon C. Oppert  
*Attorney, Agent, or Firm*—Dominick Nardelli

[\*\*] Term: **14 Years**

[57] **CLAIM**

[21] Appl. No.: **7,391**

The ornamental design for a seat mount, as shown and described.

[22] Filed: **Jan. 27, 1987**

[52] U.S. Cl. .... **D6/496; D6/500;**  
297/349

**DESCRIPTION**

[58] Field of Search ..... **D6/491, 495, 496, 500;**  
248/415; 297/349

FIG. 1 is a top perspective view of the seat mount showing my new design;

FIG. 2 is a top plan view thereof;

FIG. 3 is a front elevational view thereof;

FIG. 4 is a right side elevational view, the left side being a mirror image thereof;

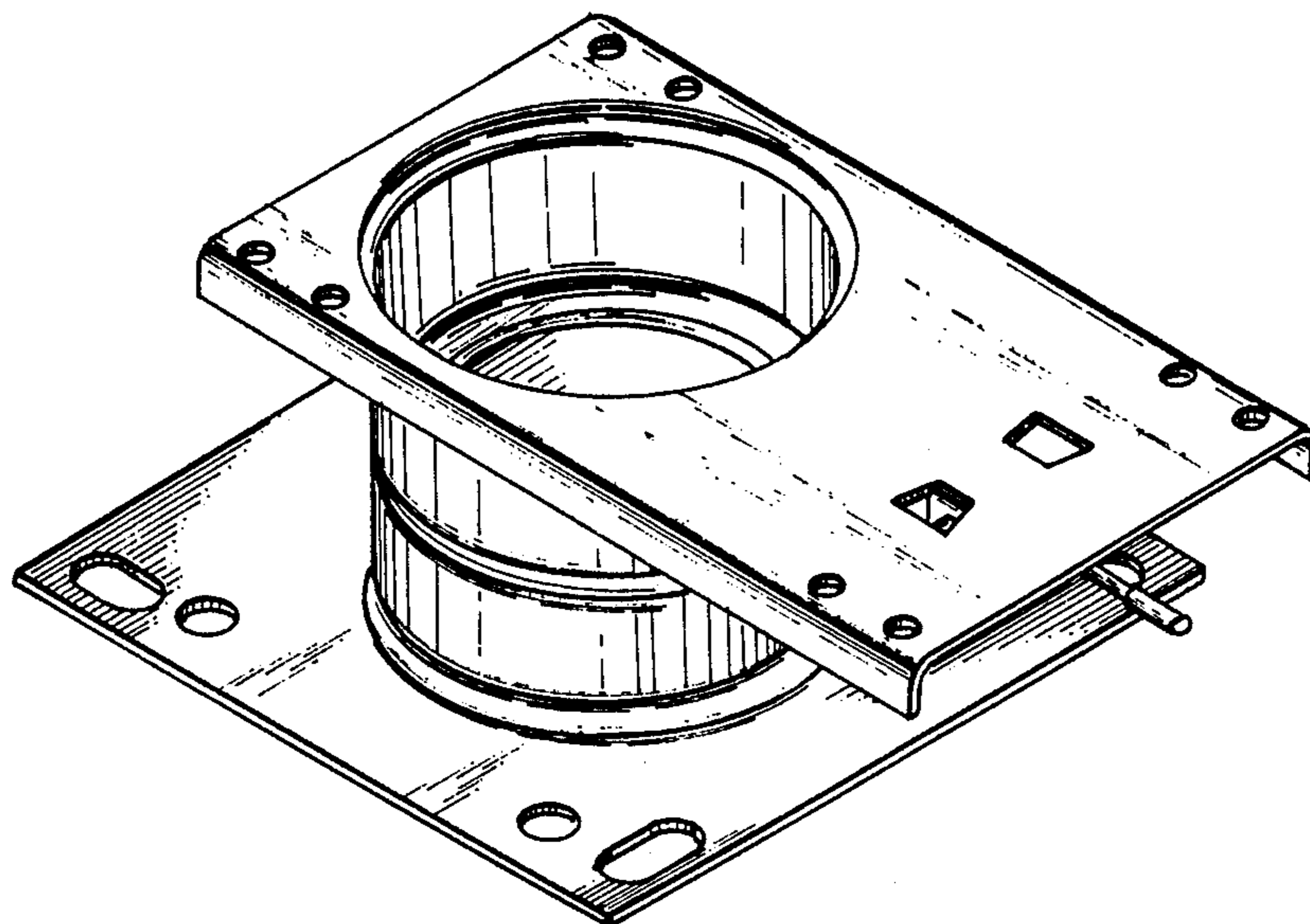
FIG. 5 is a bottom plan view thereof; and

FIG. 6 is a rear elevational view thereof.

[56] **References Cited**

**U.S. PATENT DOCUMENTS**

D. 242,758 12/1976 Strang ..... D6/496  
4,120,531 10/1978 Fefferman ..... 297/349



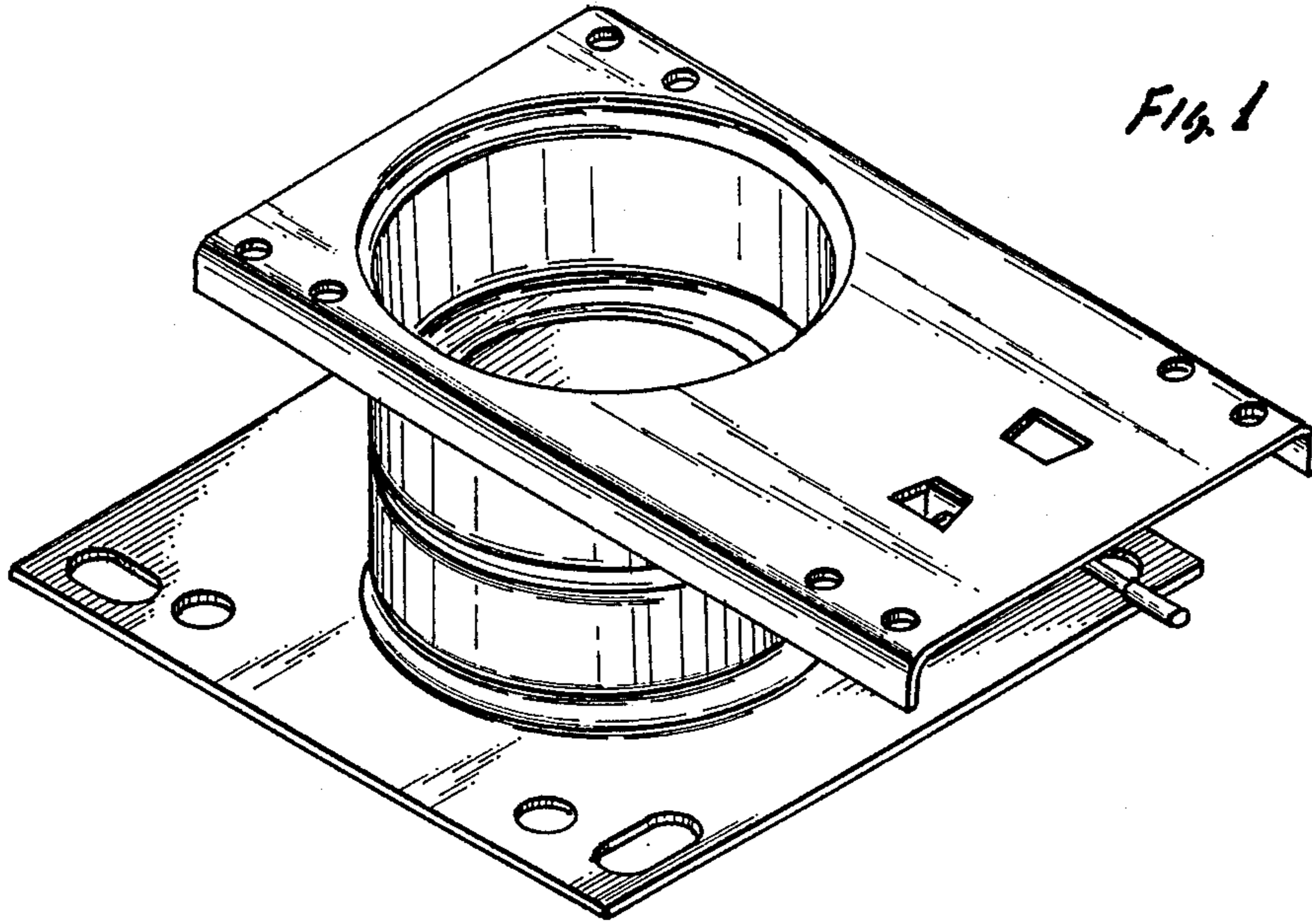
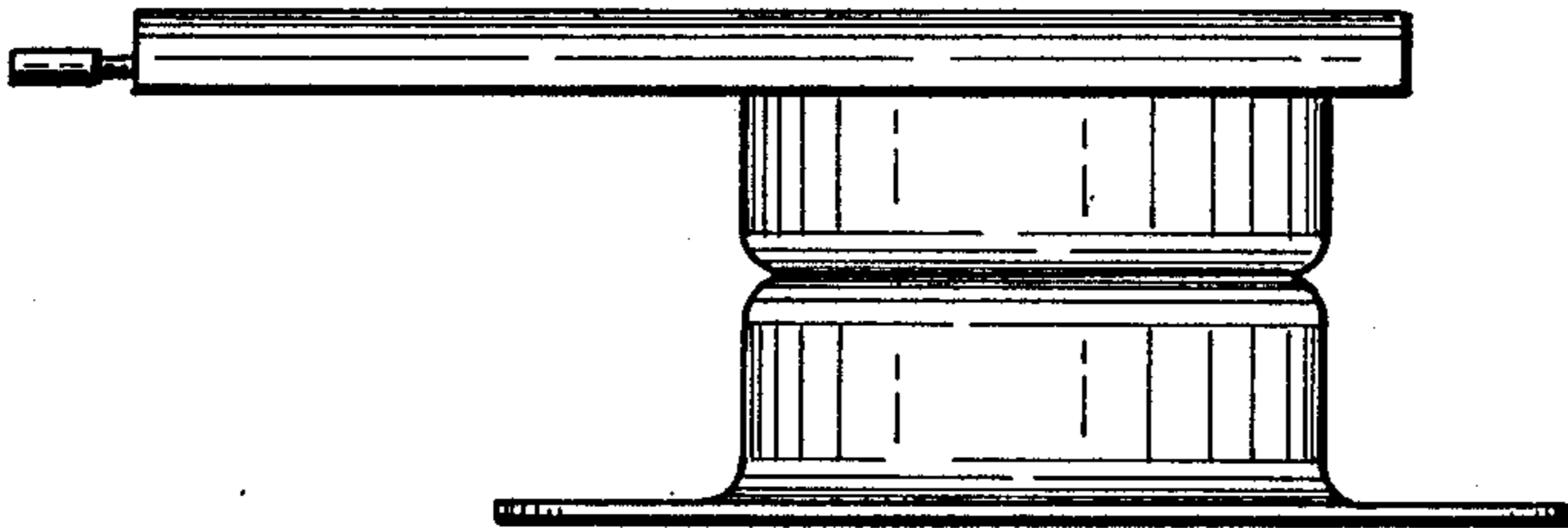
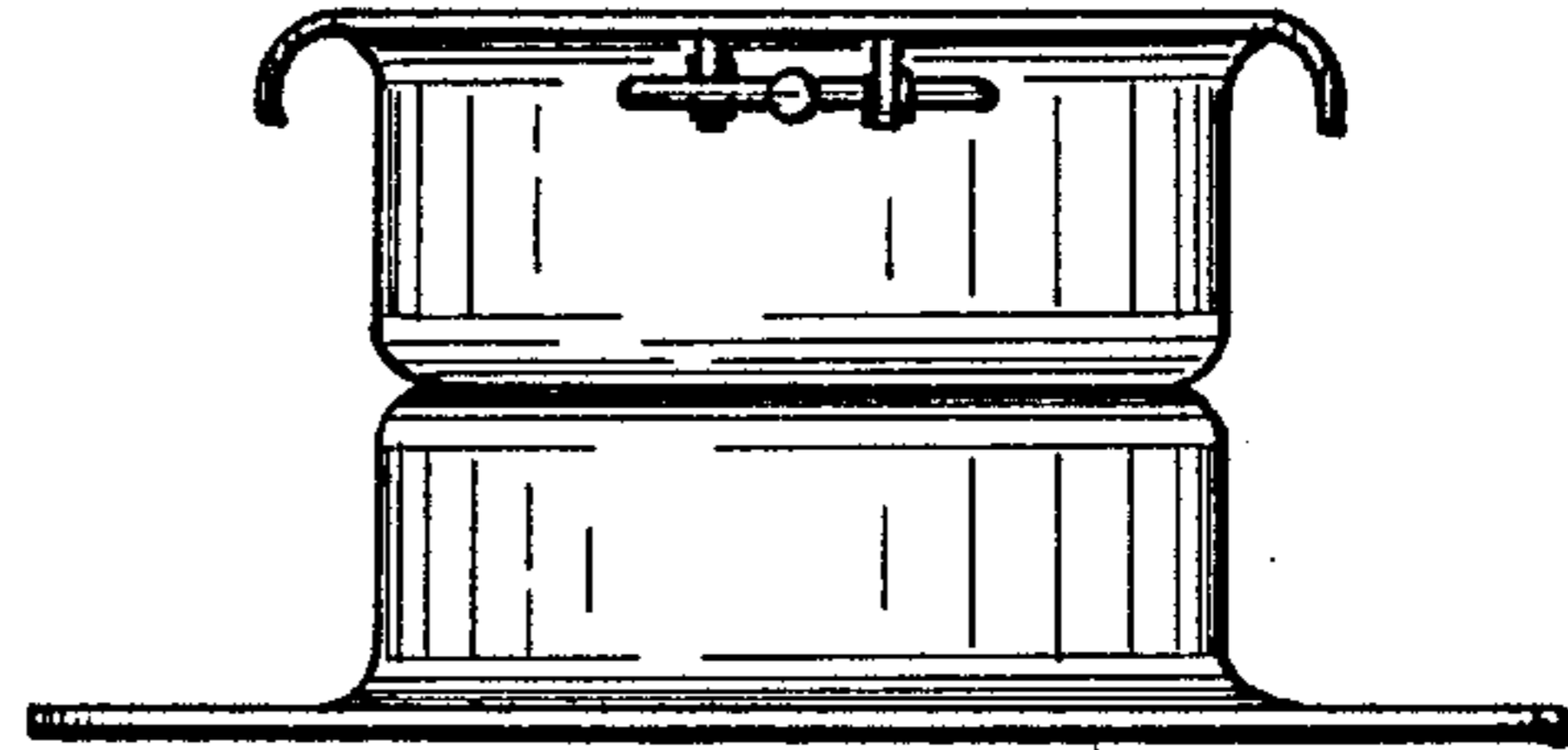


Fig. 3



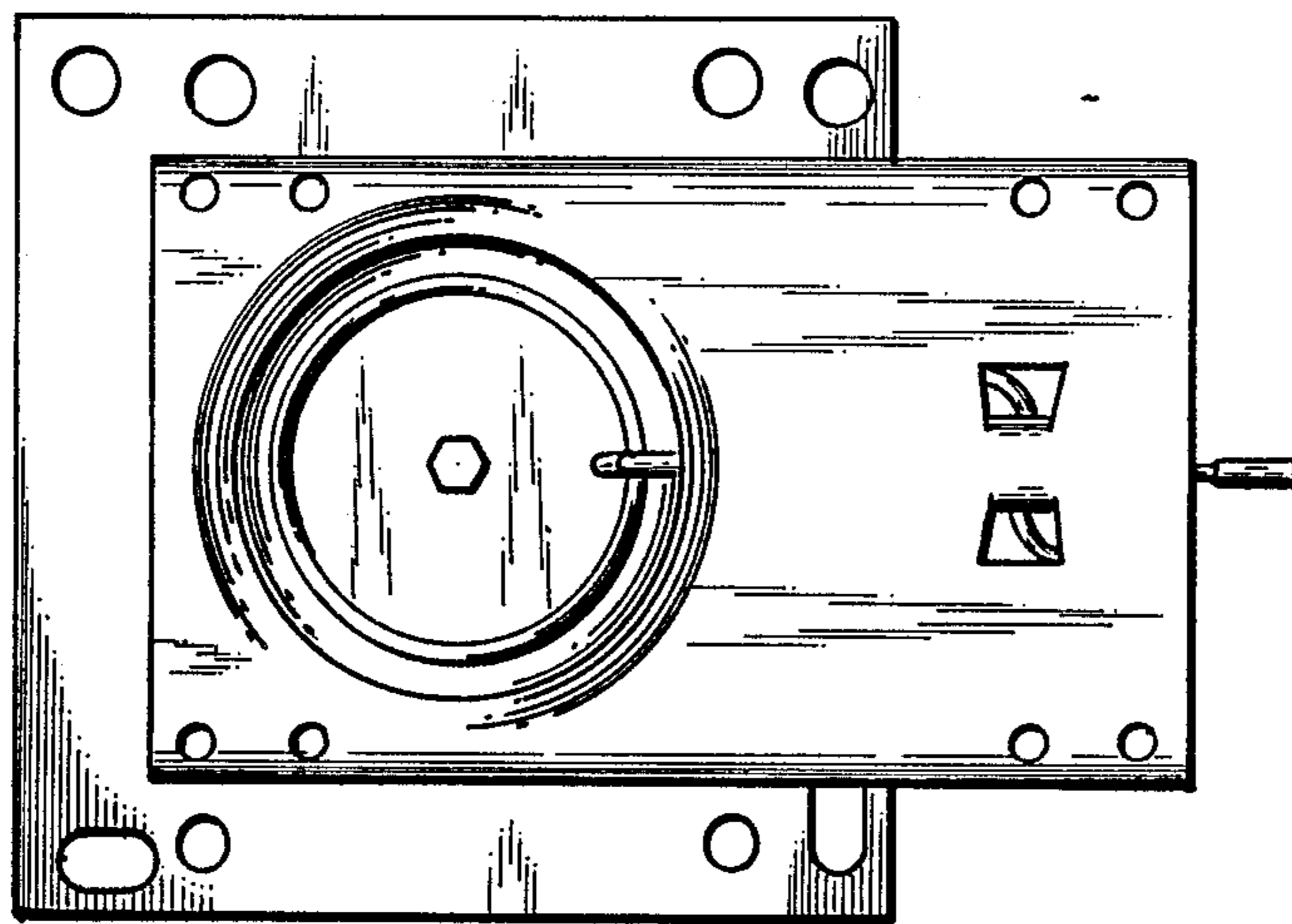


Fig. 2

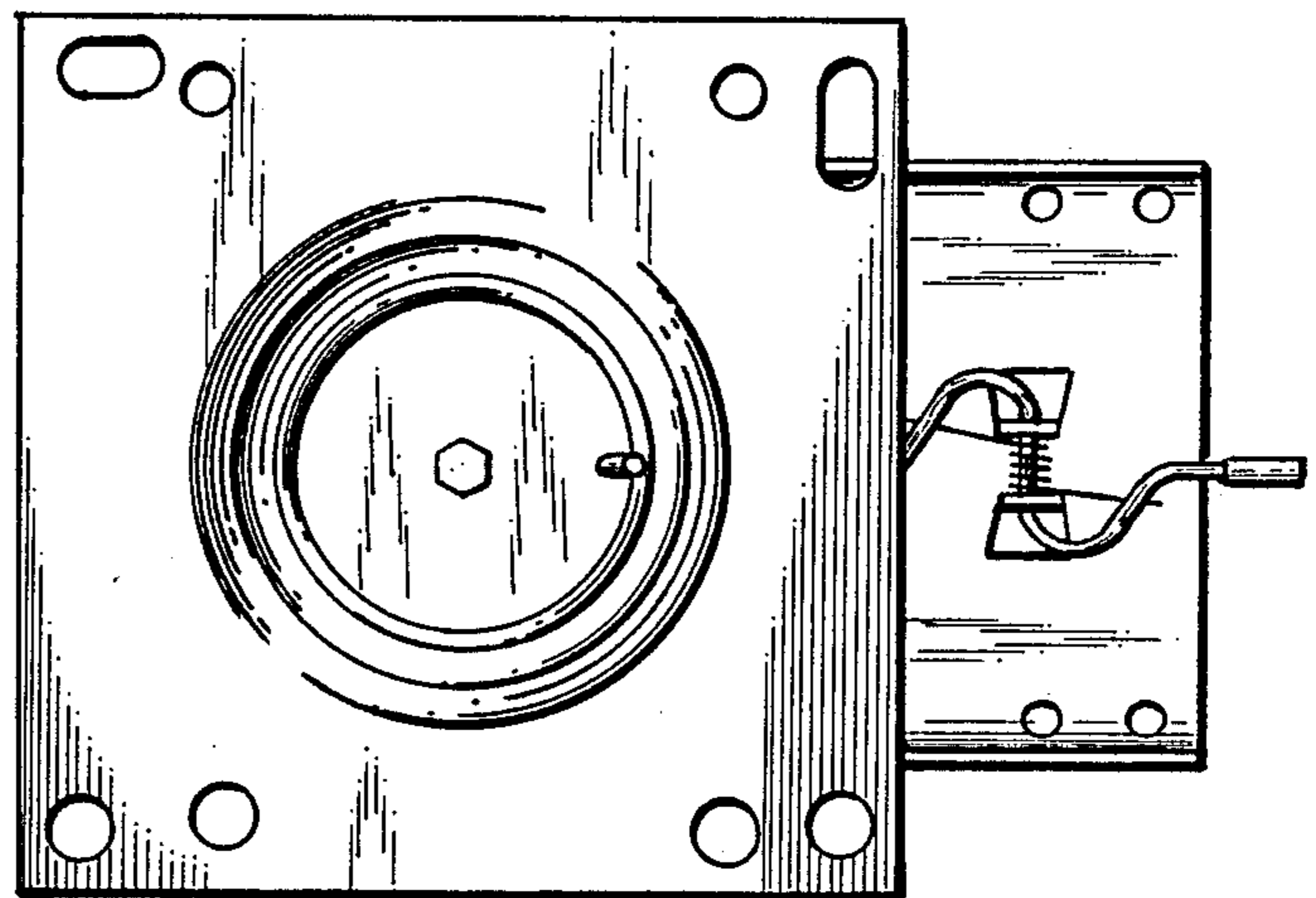


Fig. 5

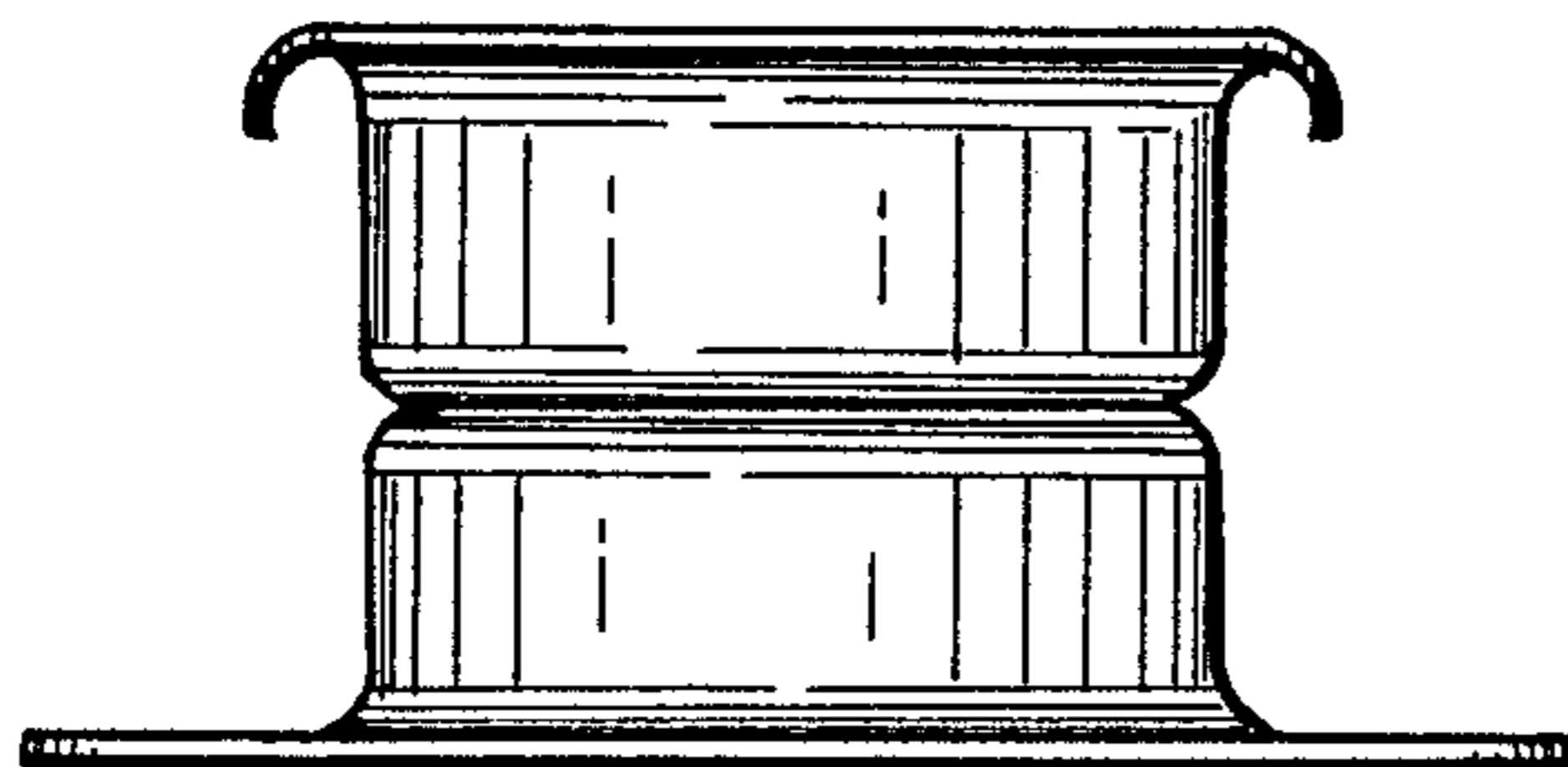


Fig. 6