

[54] CLOTHES HANGER

[76] Inventor: Gerhard Fildan, Dr. Körner Str. 64, A-2521 Trumau, Austria

[**] Term: 14 Years

[21] Appl. No.: 44,974

[22] Filed: Apr. 30, 1987

[30] Foreign Application Priority Data

Nov. 4, 1986 [DE] Fed. Rep. of Germany MR-561

[52] U.S. Cl. D6/326

[58] Field of Search D6/315, 317, 318, 319, D6/326, 328; D20/19; D9/415; 211/113; 223/85, 90, 91, 93, 96; 40/322

[56] References Cited

U.S. PATENT DOCUMENTS

D. 132,286	5/1942	Soukup et al.	D6/315
D. 190,843	7/1961	Levine et al.	D6/326
D. 192,585	4/1962	Coon	D6/315
D. 271,649	12/1983	Batts et al.	D6/328
D. 275,835	10/1984	Borst	D9/415
D. 296,847	7/1988	Kawalek	D6/326
3,744,685	7/1973	Hart	223/96
3,946,915	3/1976	Crane	223/96
4,209,879	7/1980	Paajanen	223/96
4,623,079	11/1986	Tendrup et al.	D6/326
4,629,102	12/1986	Tendrup et al.	223/85
4,718,546	1/1988	Kolton et al.	D6/315

FOREIGN PATENT DOCUMENTS

2069332 8/1981 United Kingdom 223/85

OTHER PUBLICATIONS

John Thomas Batts Cat., p. 7.

Primary Examiner—B. J. Bullock
Attorney, Agent, or Firm—Herbert Dubno; Ronald Lianides

[57] CLAIM

The ornamental design for a clothes hanger, as shown and described.

DESCRIPTION

FIG. 1 is a front elevational view of the clothes hanger embodying my new design, the rear view being a mirror image thereof;

FIG. 2 is a top plan view thereof;

FIG. 3 is a bottom plan view thereof;

FIG. 4 is a fragmentary elevational end view of the gripper portion shown separately for clarity of illustration, the opposite end being identical;

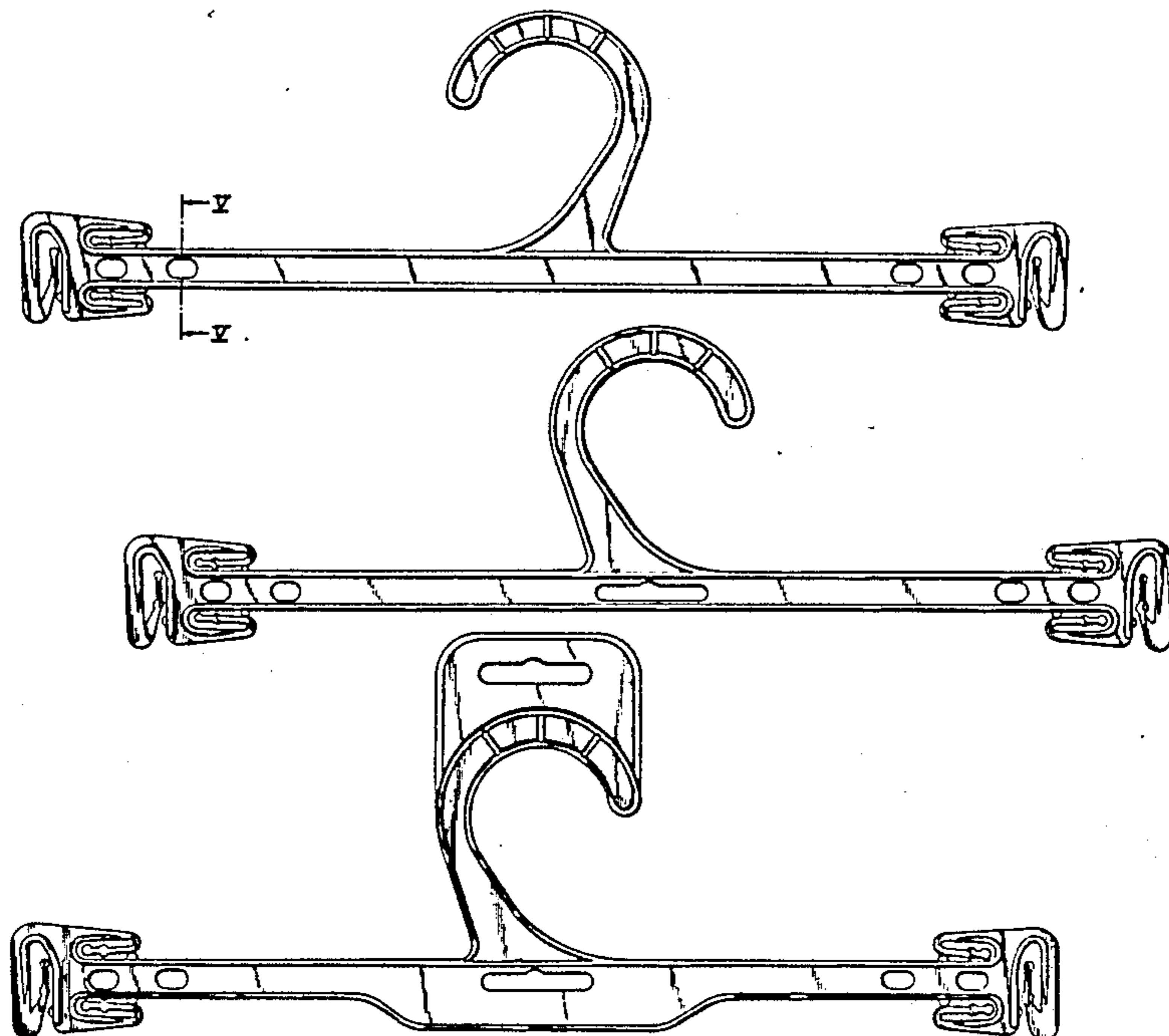
FIG. 5 is a sectional view taken in the direction of the arrows on line V—V of FIG. 1;

FIG. 6 is a front elevational view of a second embodiment of the design of FIG. 1, the only difference being the inclusion of the aperture below the hook;

FIG. 7 is a front elevational view of a third embodiment of the design of FIG. 1, the only difference being the inclusion of an apertured hanger above the hook and an aperture below;

FIG. 8 is a front elevational view of a fourth embodiment of the design of FIG. 1, the only difference being the inclusion of the aperture below the hook and the enlarged area beneath the aperture; and

FIG. 9 is a front elevational view of a fifth embodiment of the design of FIG. 1, the only difference being the inclusion of a apertured hanger above the hook, an aperture below, and the enlarged area beneath the aperture.



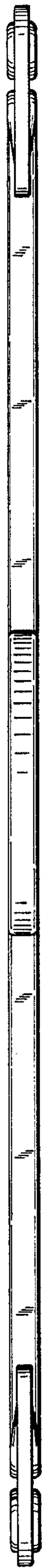


FIG. 2



FIG. 3



FIG. 5



FIG. 4

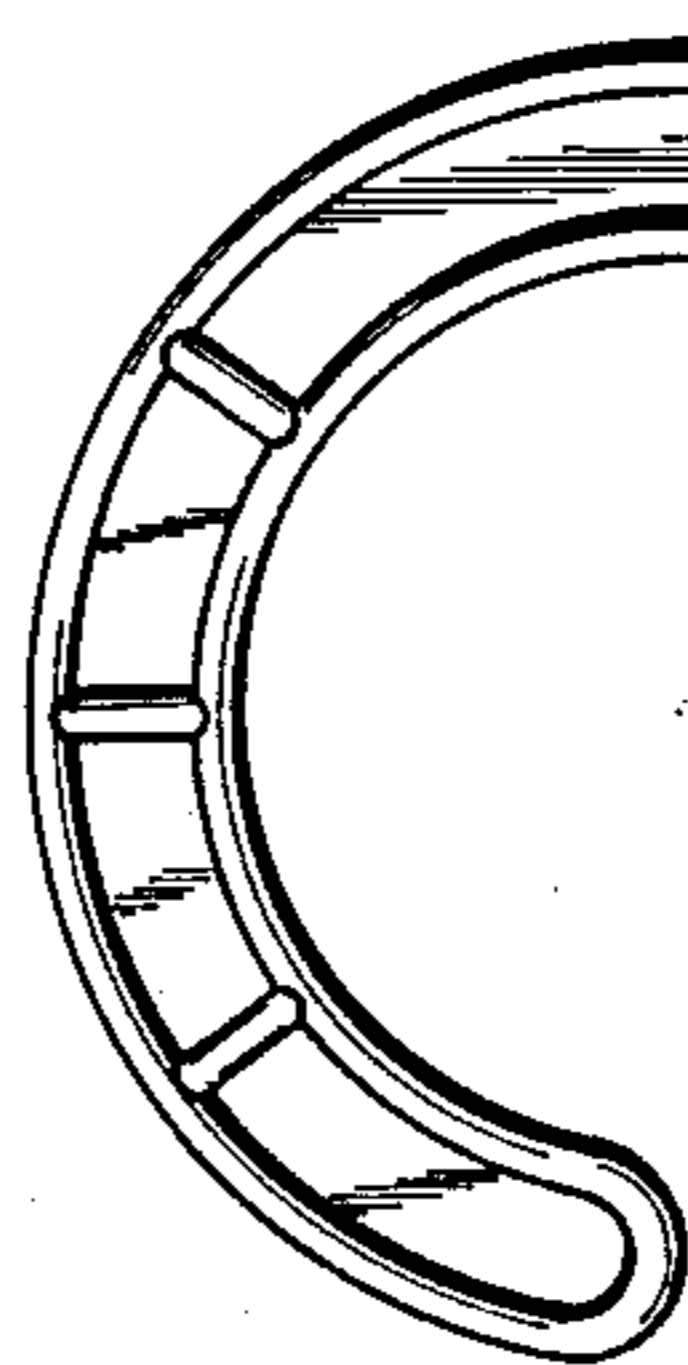
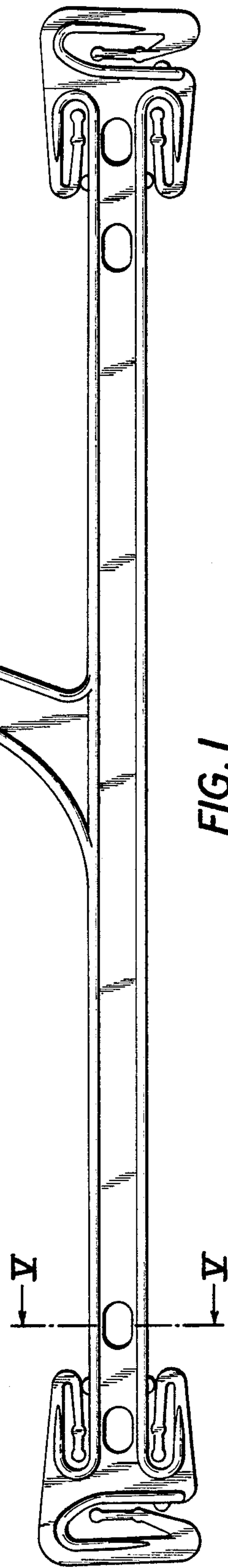


FIG. 1



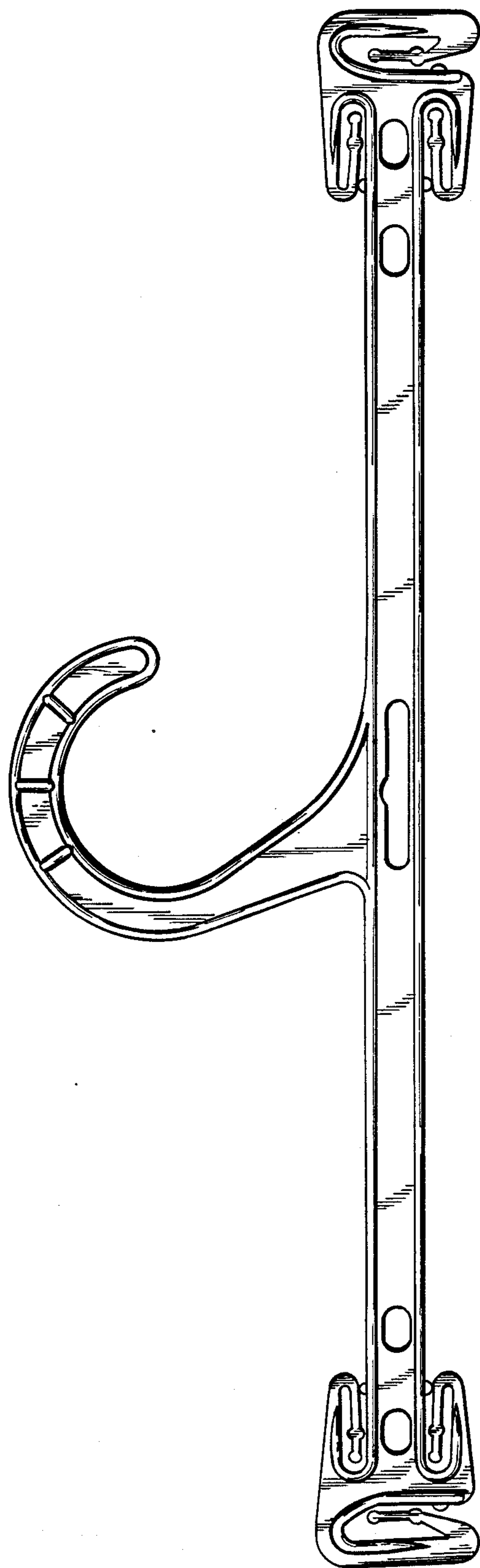


FIG. 6

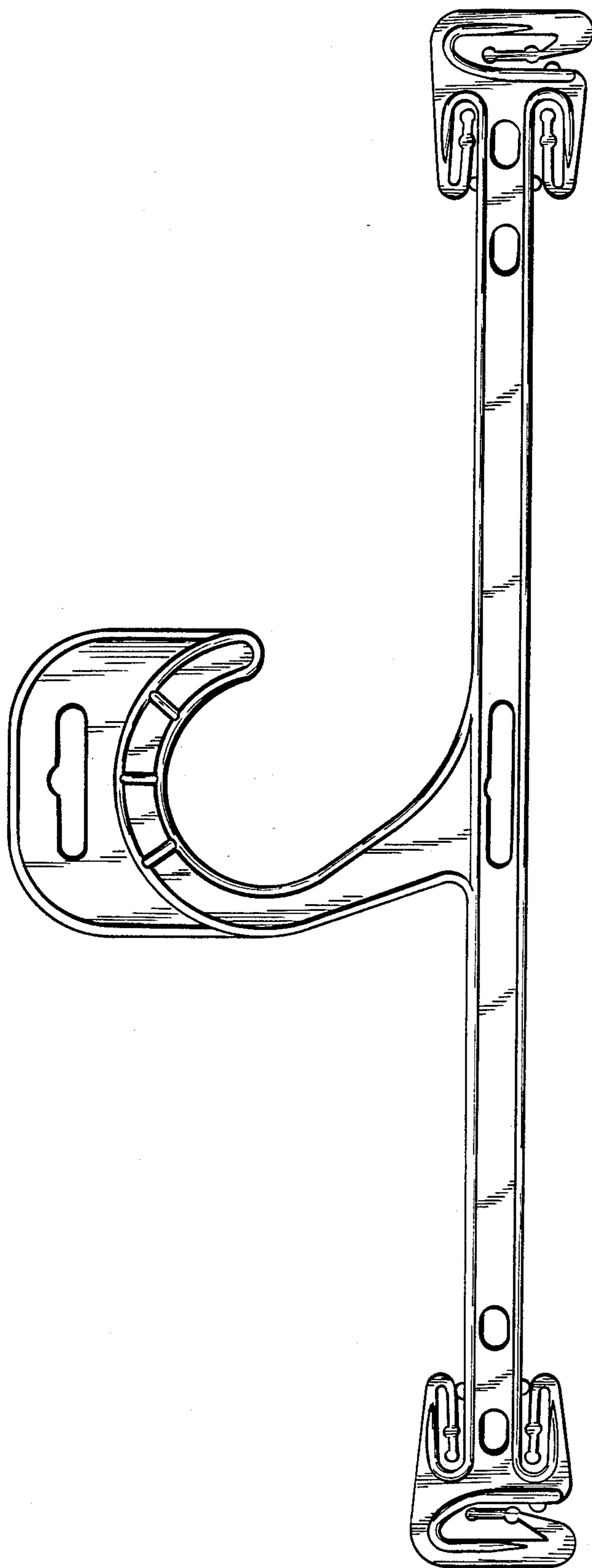


FIG. 7

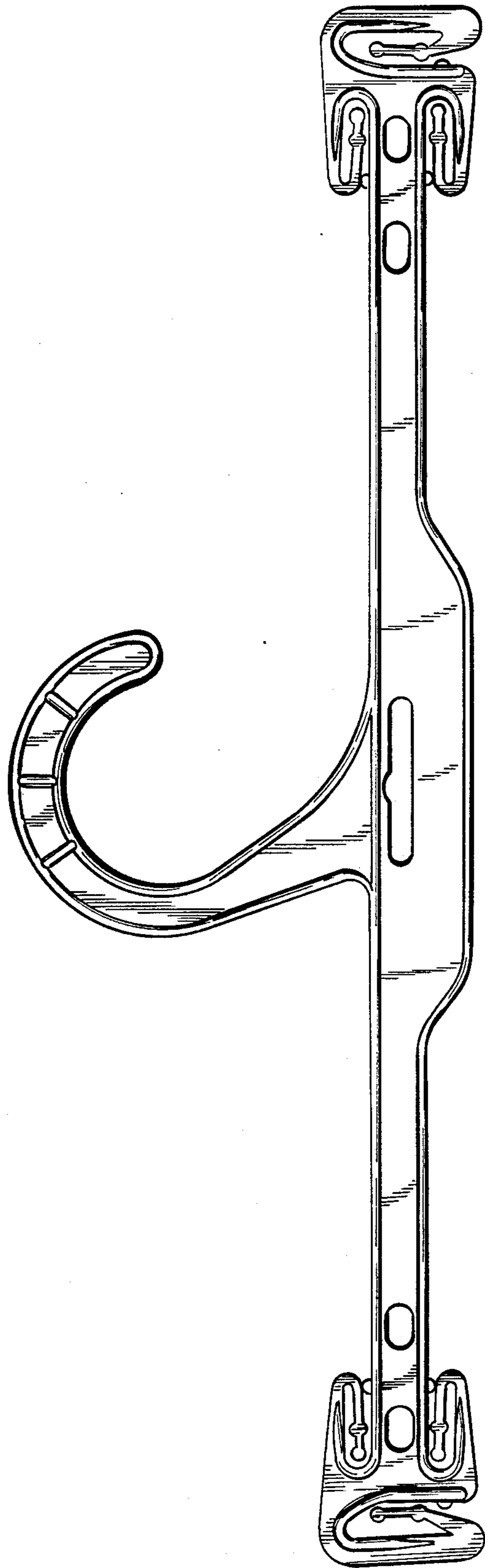


FIG. 8

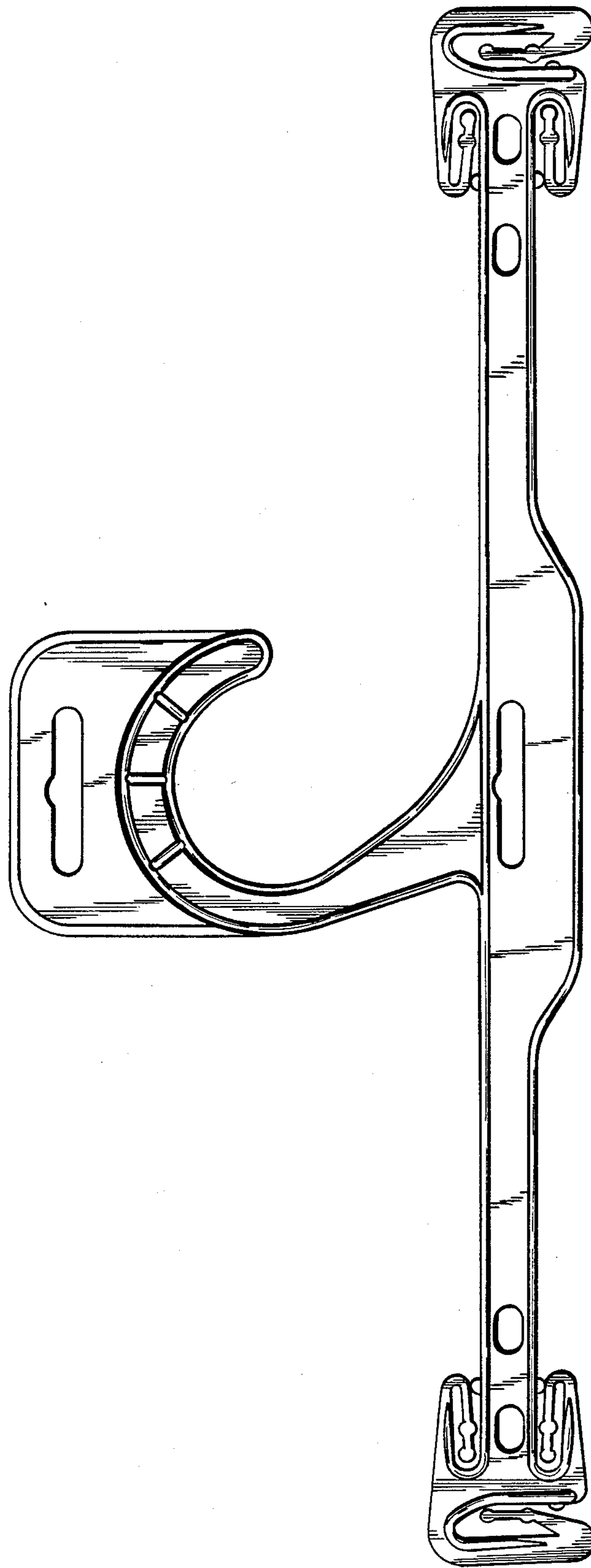


FIG. 9