

[54] **POWER DRIVEN SHOE BRUSH**
[75] **Inventor: John S. Yuen, Kowloon, Hong Kong**
[73] **Assignee: John Manufacturing Limited,
Kowloon, Hong Kong**
[**] **Term: 14 Years**
[21] **Appl. No.: 74,913**
[22] **Filed: Jul. 17, 1987**

[30] **Foreign Application Priority Data**
Jan. 23, 1987 [GB] United Kingdom 1039464
[52] **U.S. Cl. D4/102; D4/100;
D32/14.1**
[58] **Field of Search D4/100, 102, 127;
D32/14.1, 17; 15/23-24, 28-29, 97 R, 97 A**

[56] **References Cited**
U.S. PATENT DOCUMENTS
D. 199,115 9/1964 Wedemeyer D4/102
D. 259,076 5/1981 Doyel D4/102

D. 279,626 7/1985 McCloskey D4/100
4,512,053 4/1985 Horak et al. 15/28

FOREIGN PATENT DOCUMENTS

2126472 3/1984 United Kingdom 15/28

Primary Examiner—Wallace R. Burke
Assistant Examiner—L. Tabor
Attorney, Agent, or Firm—Fay, Sharpe, Beall, Fagan,
Minnich & McKee

[57] **CLAIM**

The ornamental design for a power driven shoe brush,
as shown and described.

DESCRIPTION

FIG. 1 is a top plan view of a power driven shoe brush
showing my new design;
FIG. 2 is a right side elevational view, the left side being
a mirror image thereof;
FIG. 3 is a bottom plan view thereof;
FIG. 4 is a front elevational view thereof;
FIG. 5 is a rear elevational view thereof.

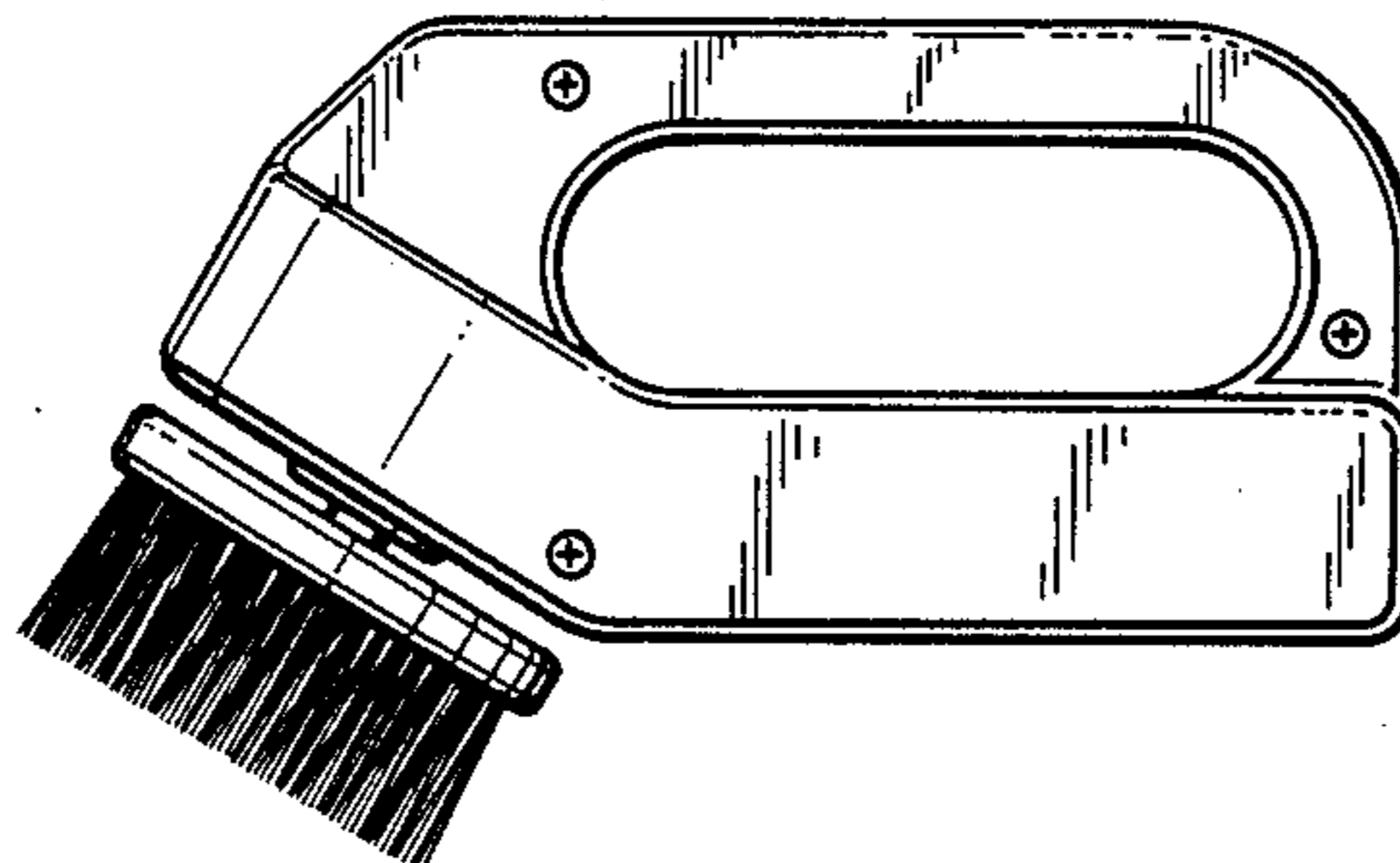
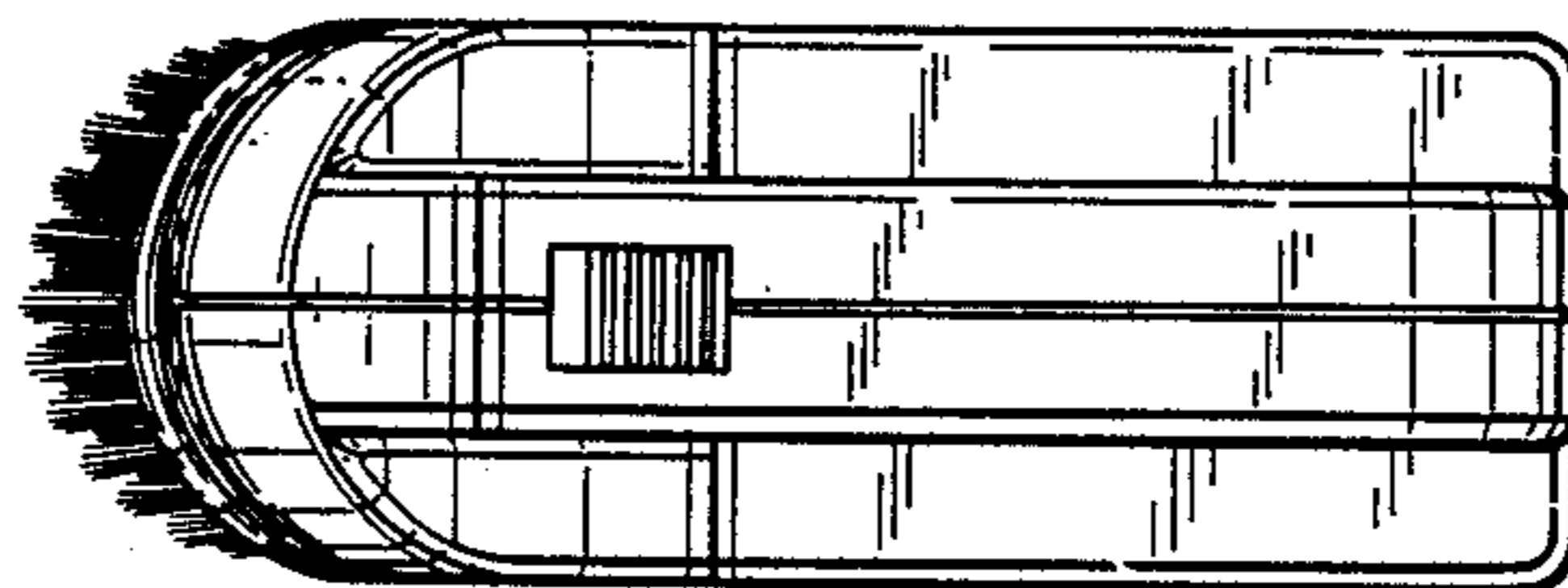


Fig. 1.

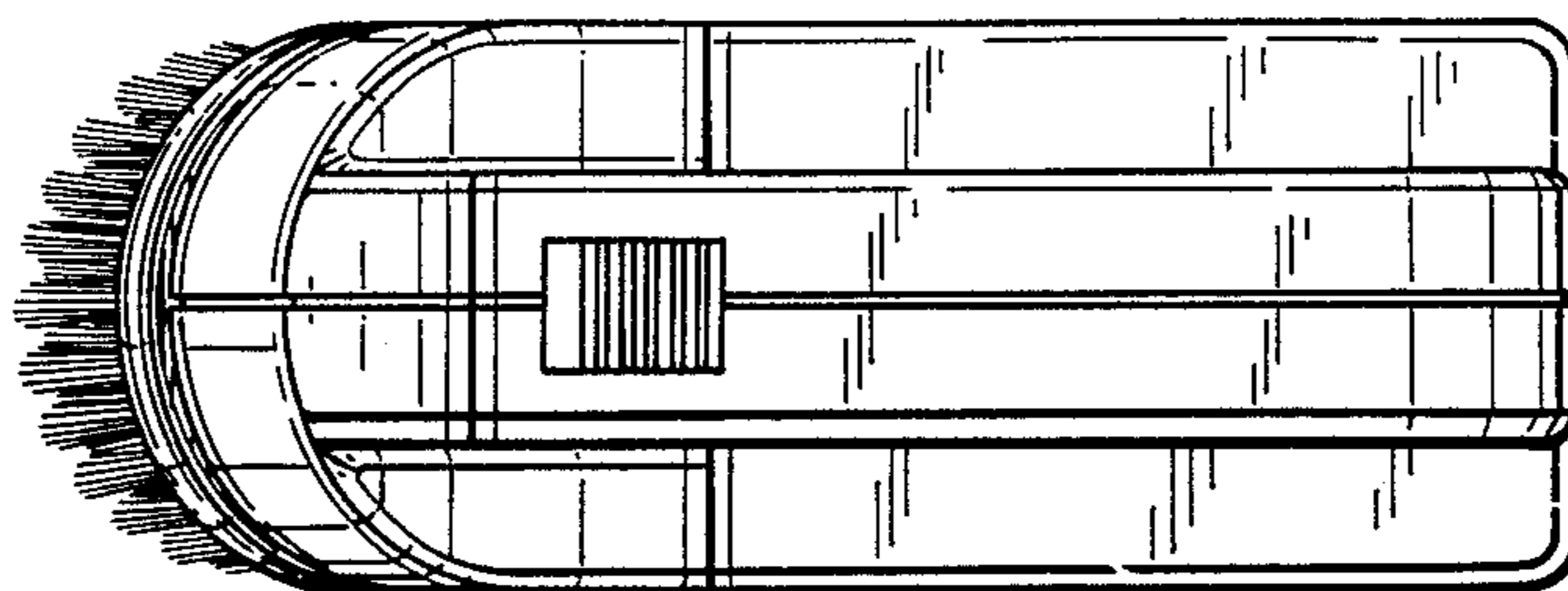


Fig. 2.

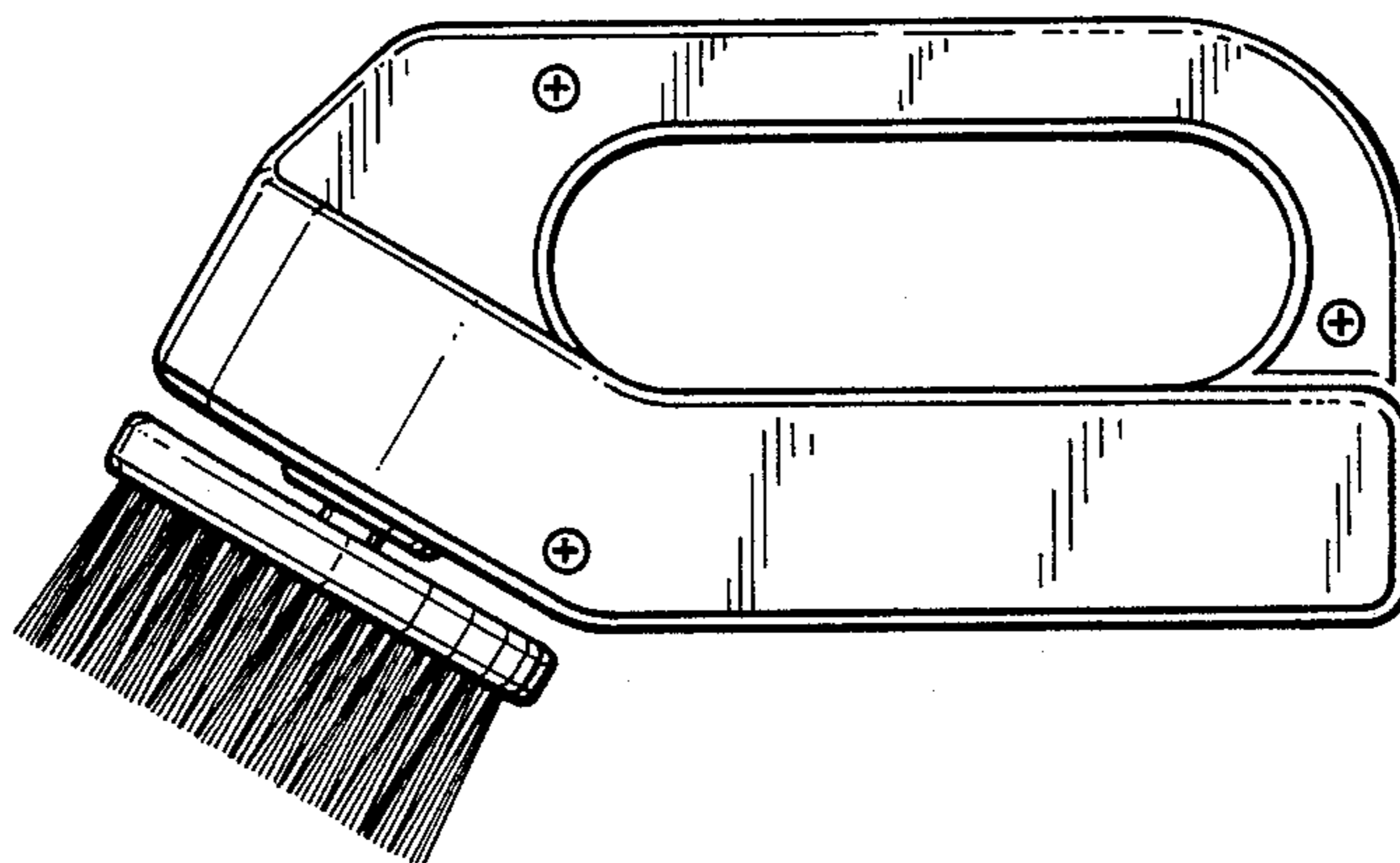


Fig. 3.

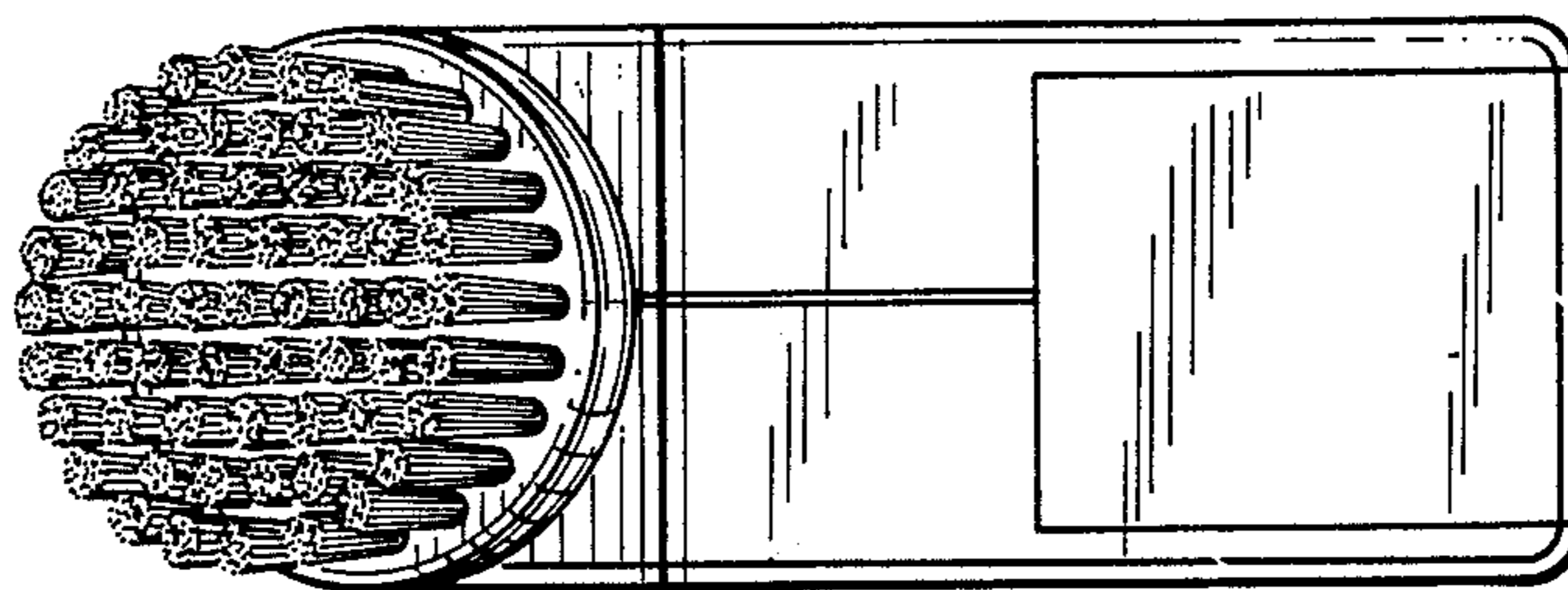


Fig. 4.

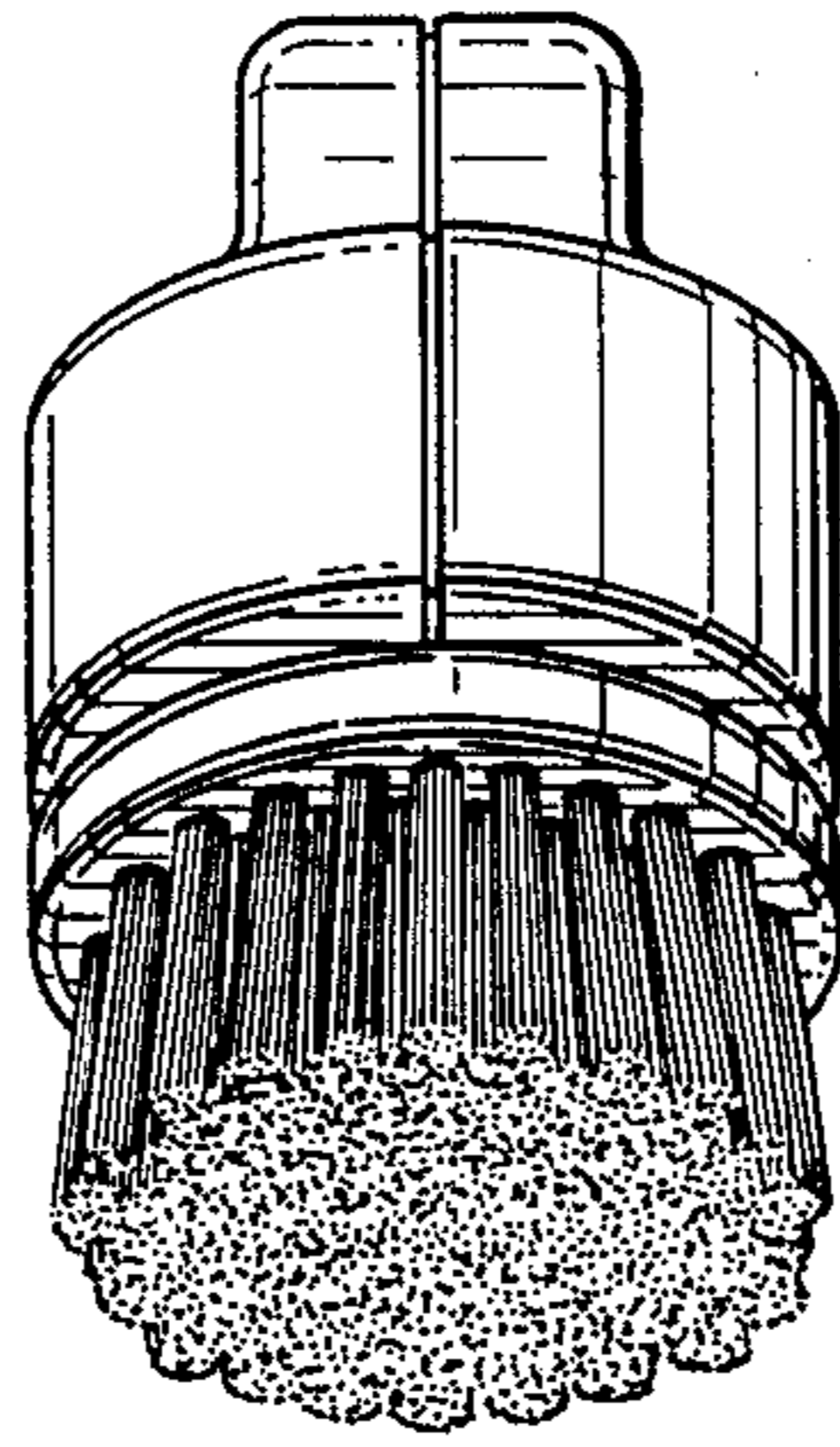


Fig. 5.

