

# United States Patent [19]

Dagge

[11] Patent Number: **Des. 305,467**

[45] Date of Patent: **\*\* Jan. 9, 1990**

[54] BUCKET

[75] Inventor: **David L. Dagge**, Luton, United Kingdom

[73] Assignee: **Addis Limited**, Hertfordshire, United Kingdom

[\*\*] Term: **14 Years**

[21] Appl. No.: **131,173**

[22] Filed: **Dec. 10, 1987**

[30] **Foreign Application Priority Data**

Jun. 16, 1987 [GB] United Kingdom ..... 1042855

[52] U.S. Cl. .... **D32/53**

[58] Field of Search ..... **D32/53, 53.1, 54; D23/410; D9/379, 390, 392, 399; 15/104.92, 248 R, 257 R, 257.05, 257.06, 260-264; 220/69, 72, 90, 92, 94 R, 94 A, 95; 280/79.2**

[56] **References Cited**

**U.S. PATENT DOCUMENTS**

D. 202,134 8/1965 Bryan ..... D32/53.1

D. 223,302 4/1972 Golden et al. .... D32/53.1

4,706,918 11/1987 Wilson ..... 15/257.06 X

**FOREIGN PATENT DOCUMENTS**

6609959 1/1967 Netherlands ..... 15/264

*Primary Examiner*—Wallace R. Burke

*Assistant Examiner*—Lavone D. Tabor

*Attorney, Agent, or Firm*—Shoemaker and Mattare, Ltd.

[57] **CLAIM**

The ornamental design for a bucket, as shown and described.

**DESCRIPTION**

FIG. 1 is a front elevational view of a bucket showing my new design;

FIG. 2 is a top plan view thereof, shown with the handle in an alternative position;

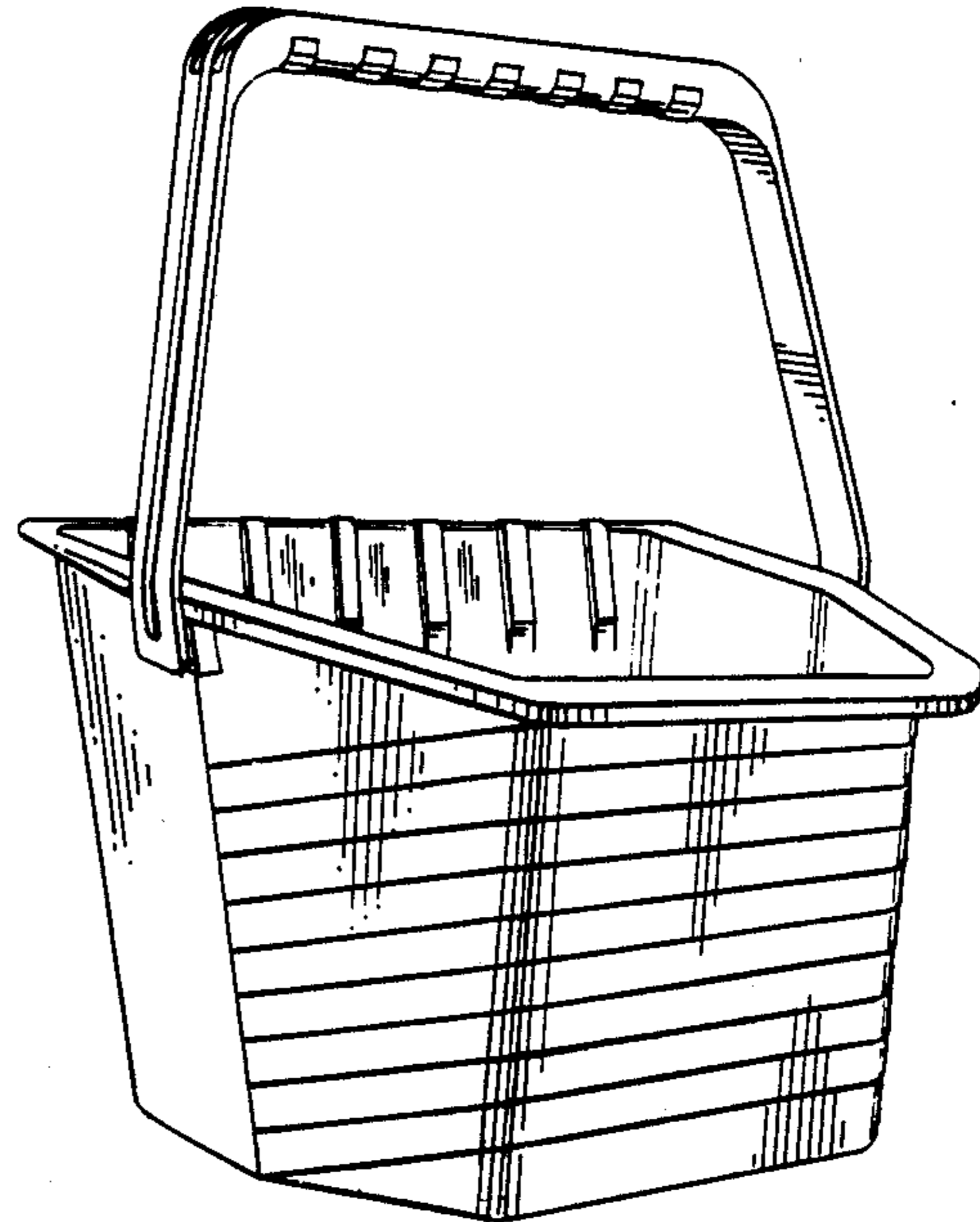
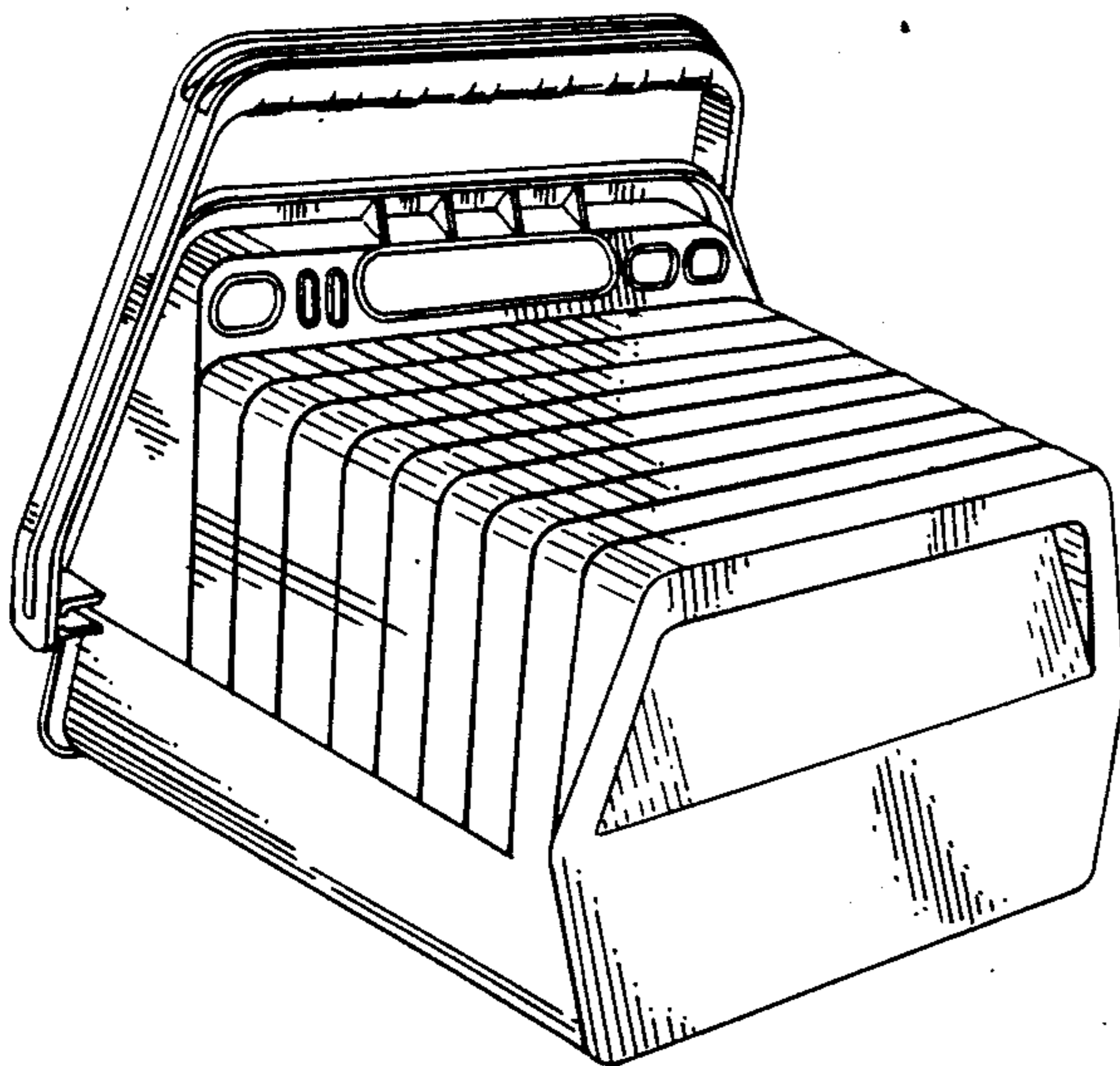
FIG. 3 is a bottom plan view thereof;

FIG. 4 is an elevational view as seen from the left side of FIG. 1, the right side being a mirror image thereof;

FIG. 5 is a perspective view as seen from the left of FIG. 3;

FIG. 6 is a perspective view as seen from the opposite end thereof; and

FIG. 7 is a perspective view as seen from the left of FIG. 1.



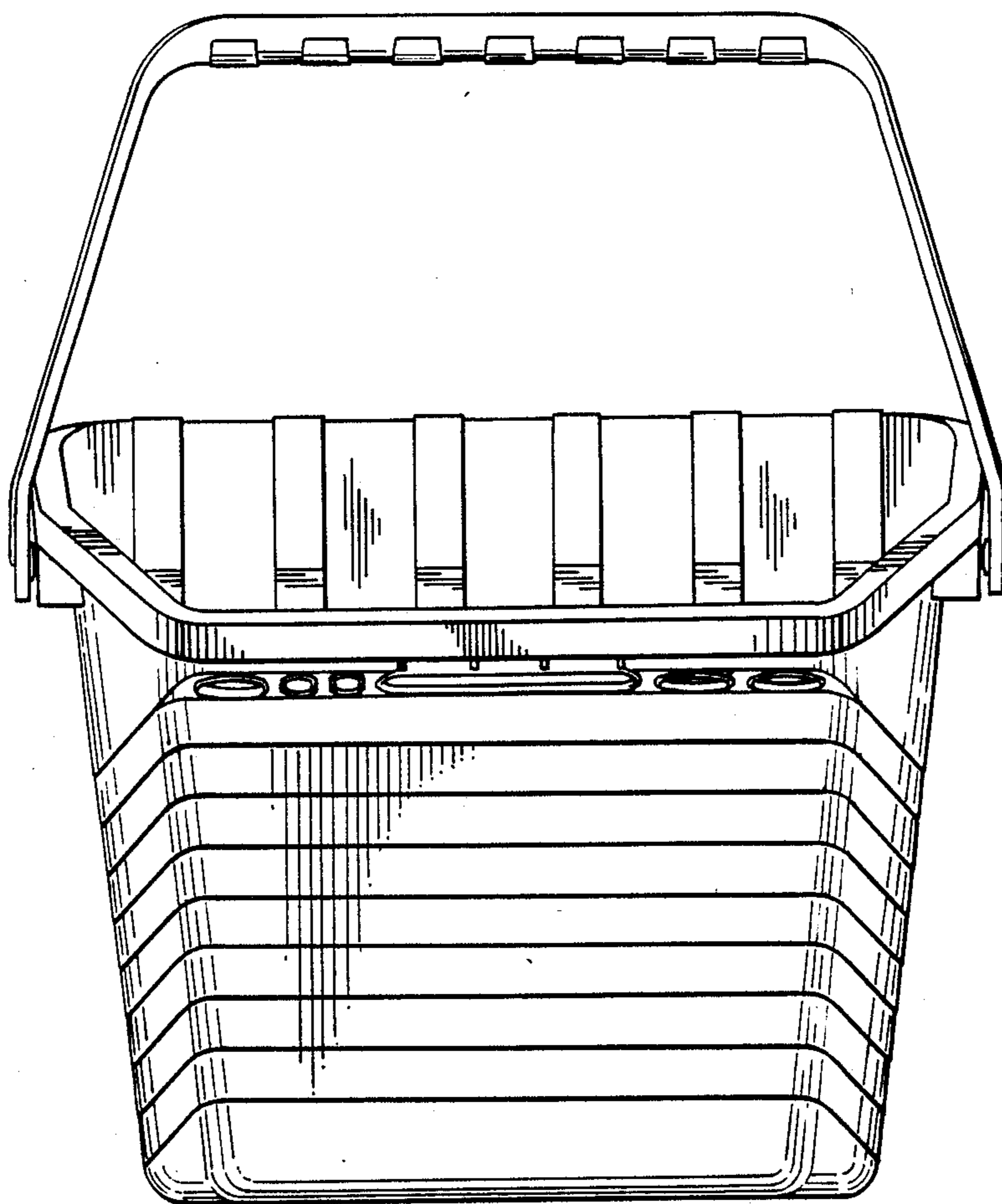


FIG.1.

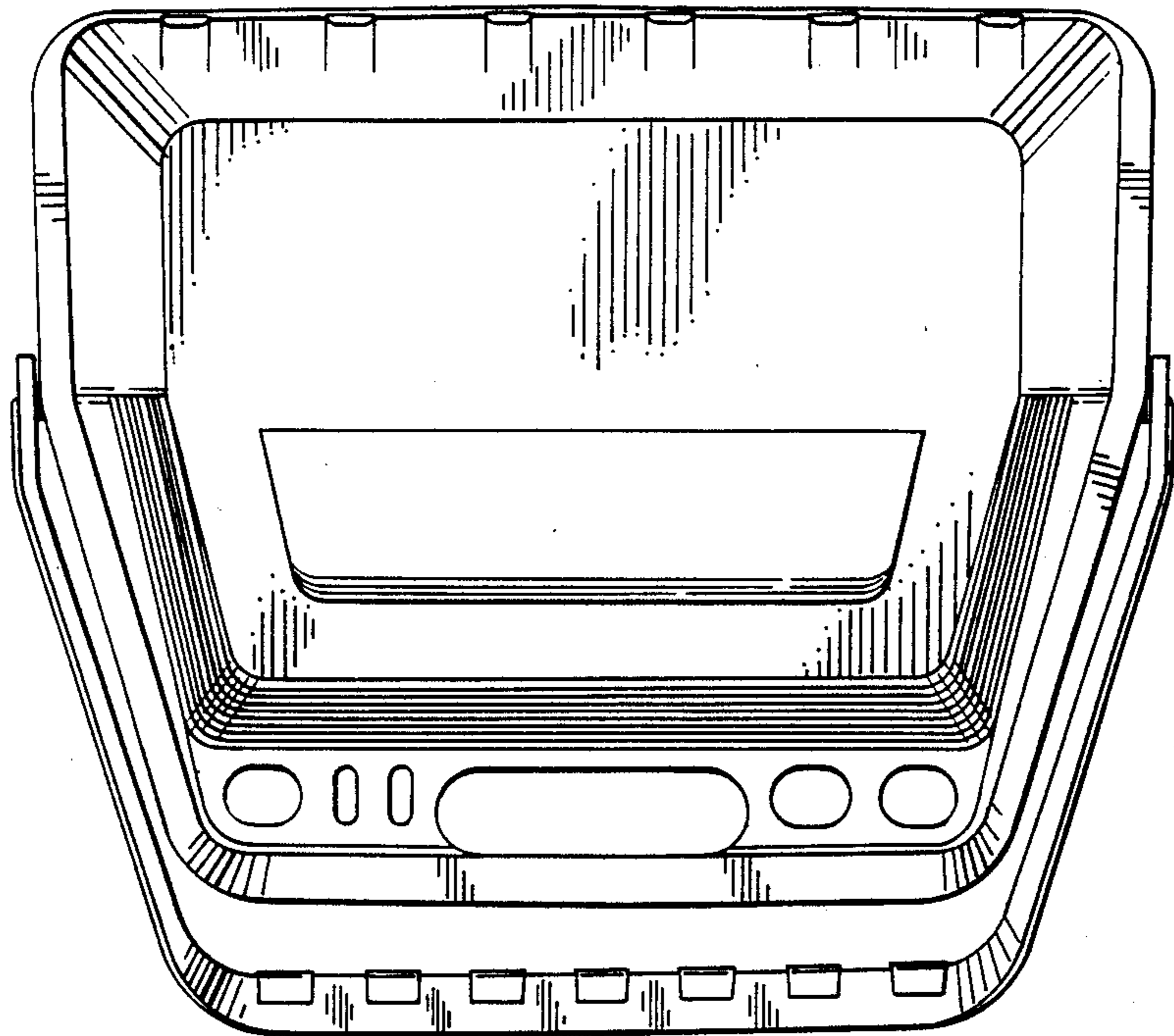


FIG. 2.

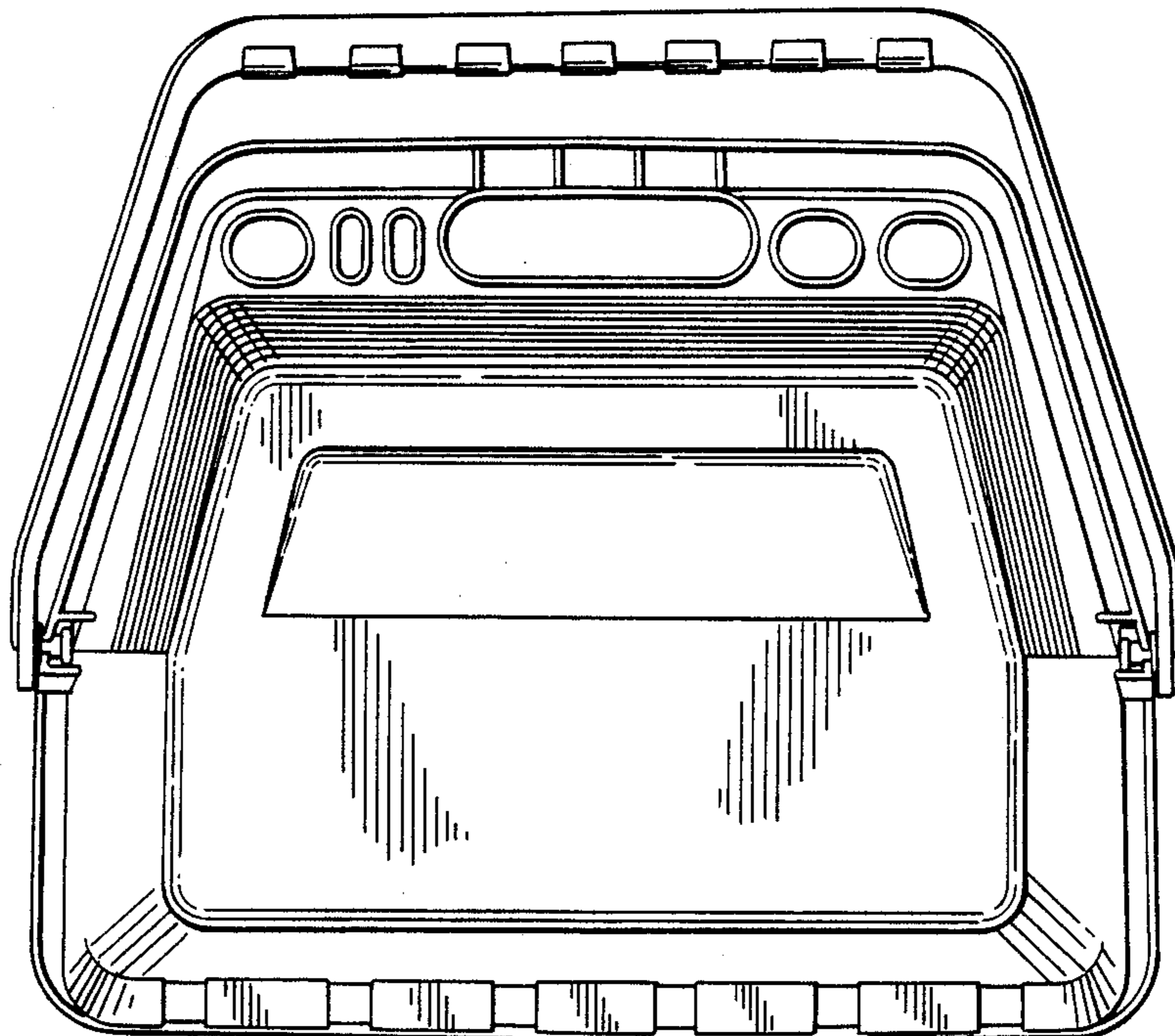


FIG. 3.

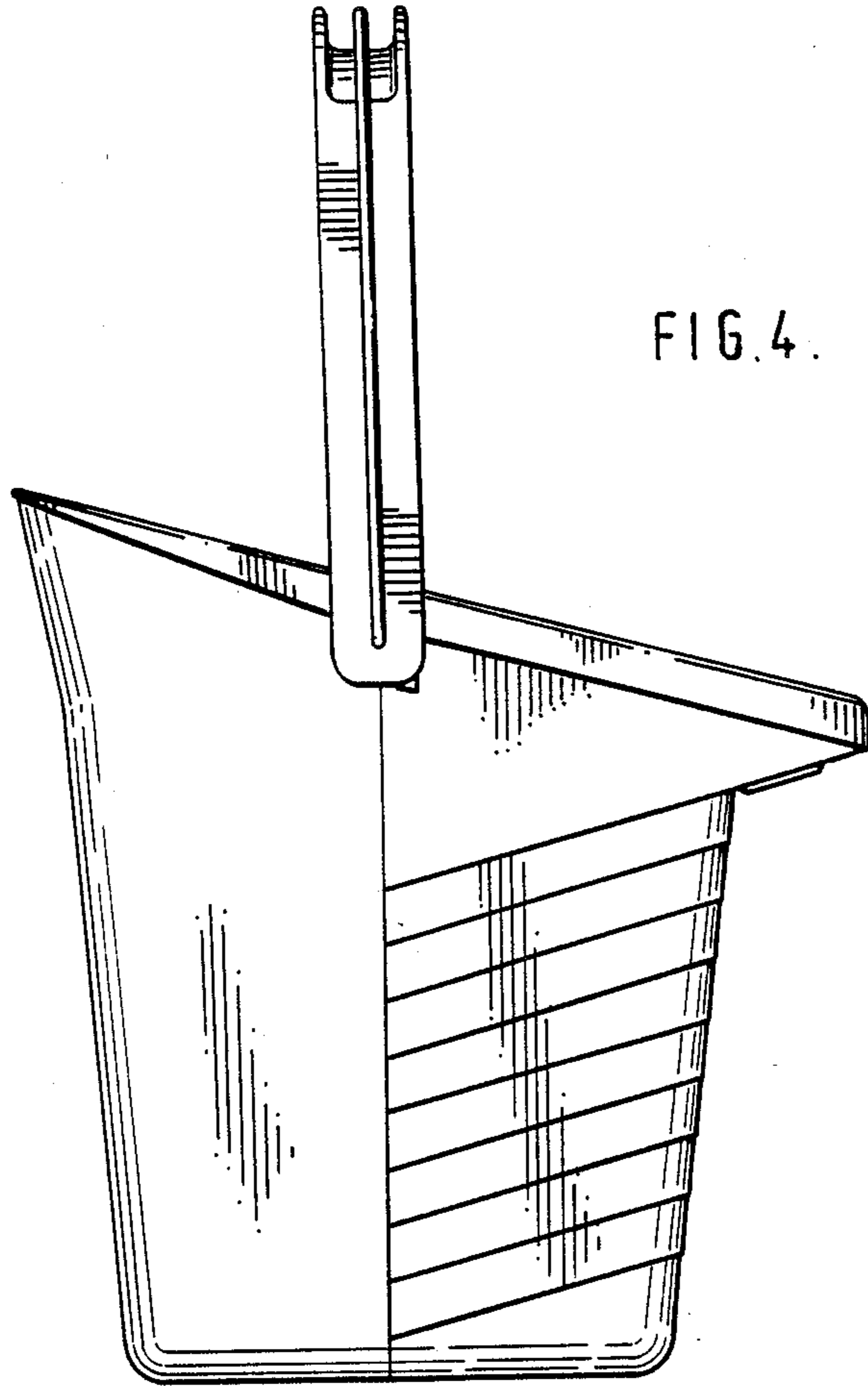
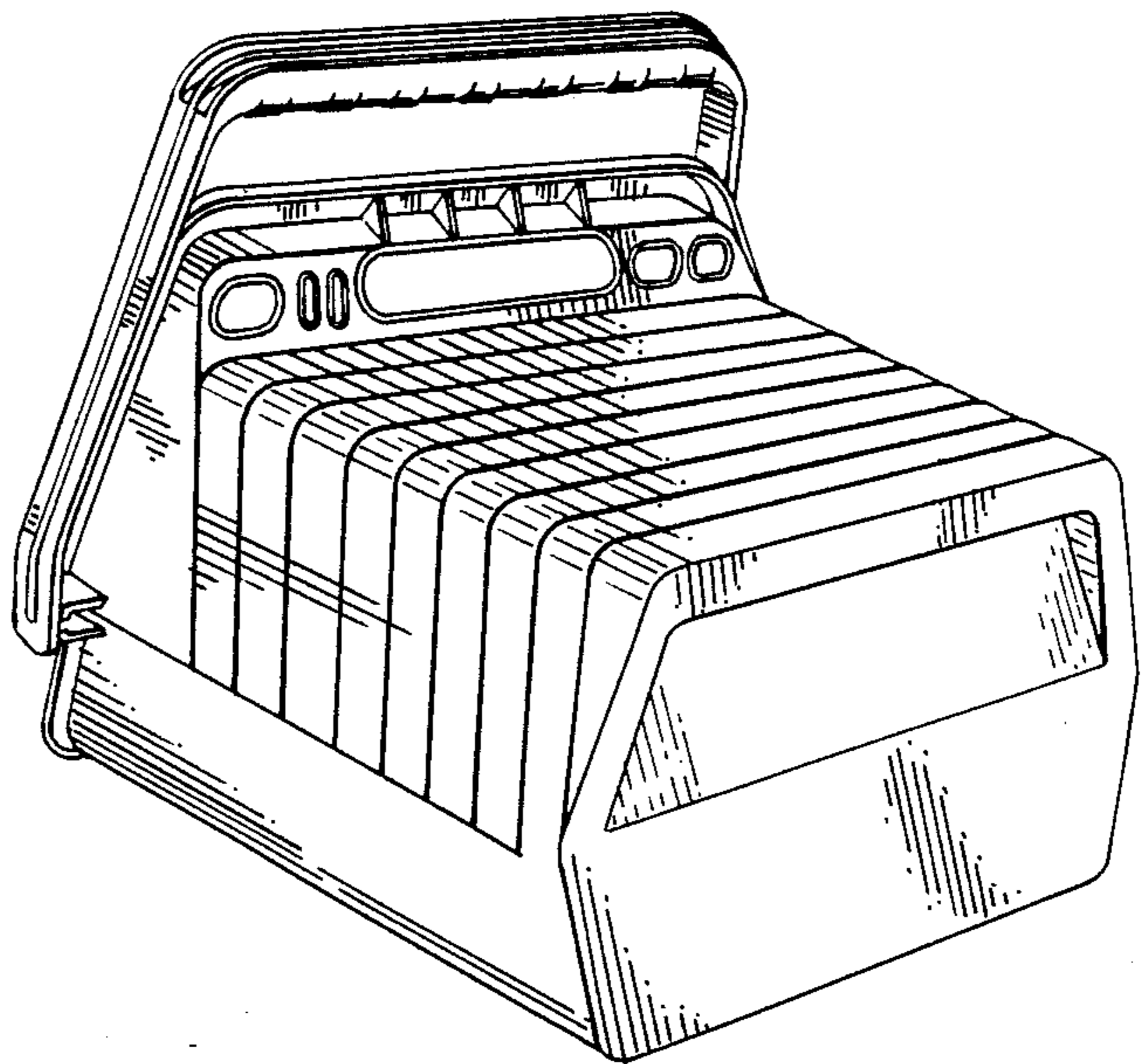


FIG. 5.





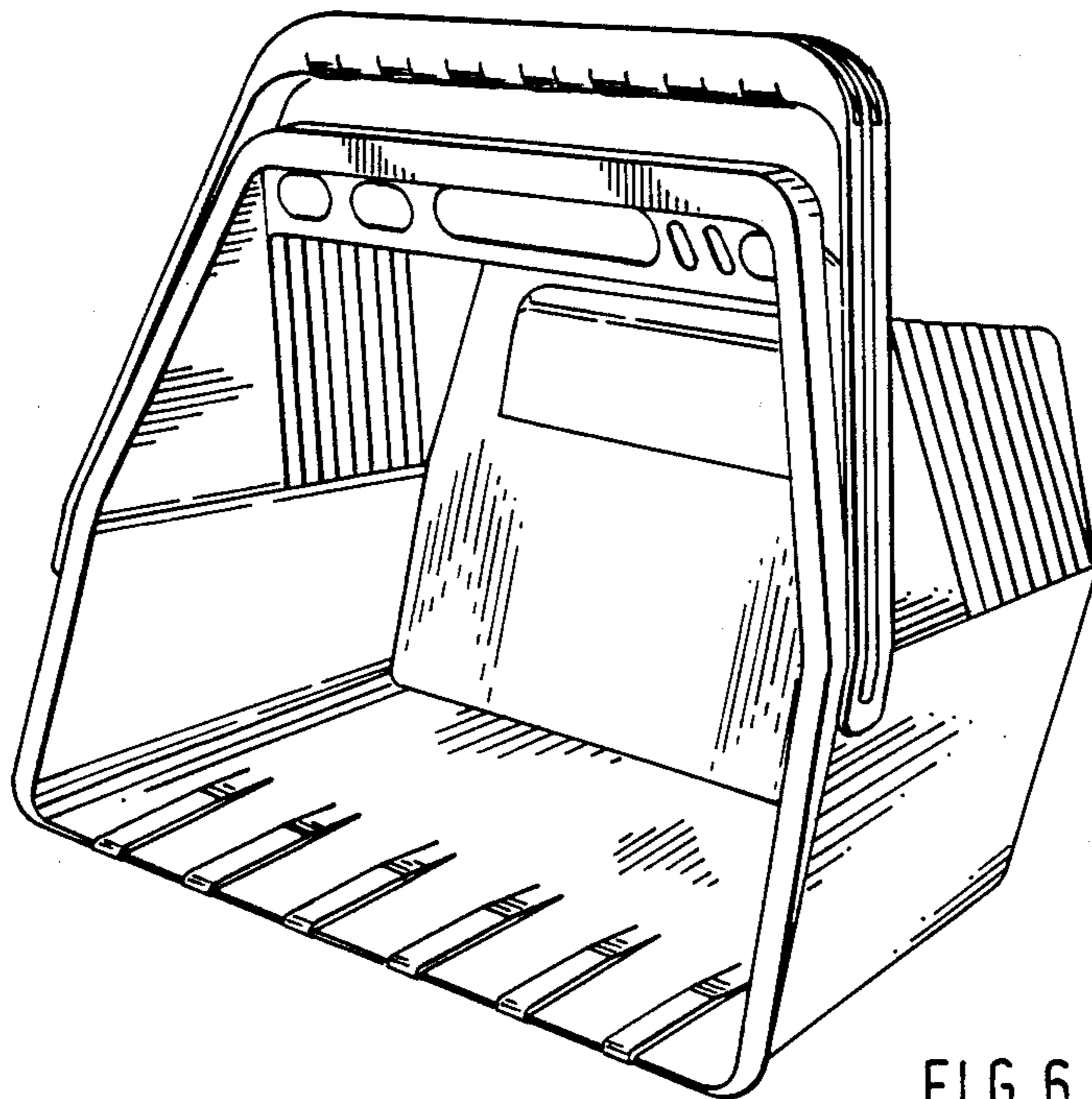


FIG. 6.

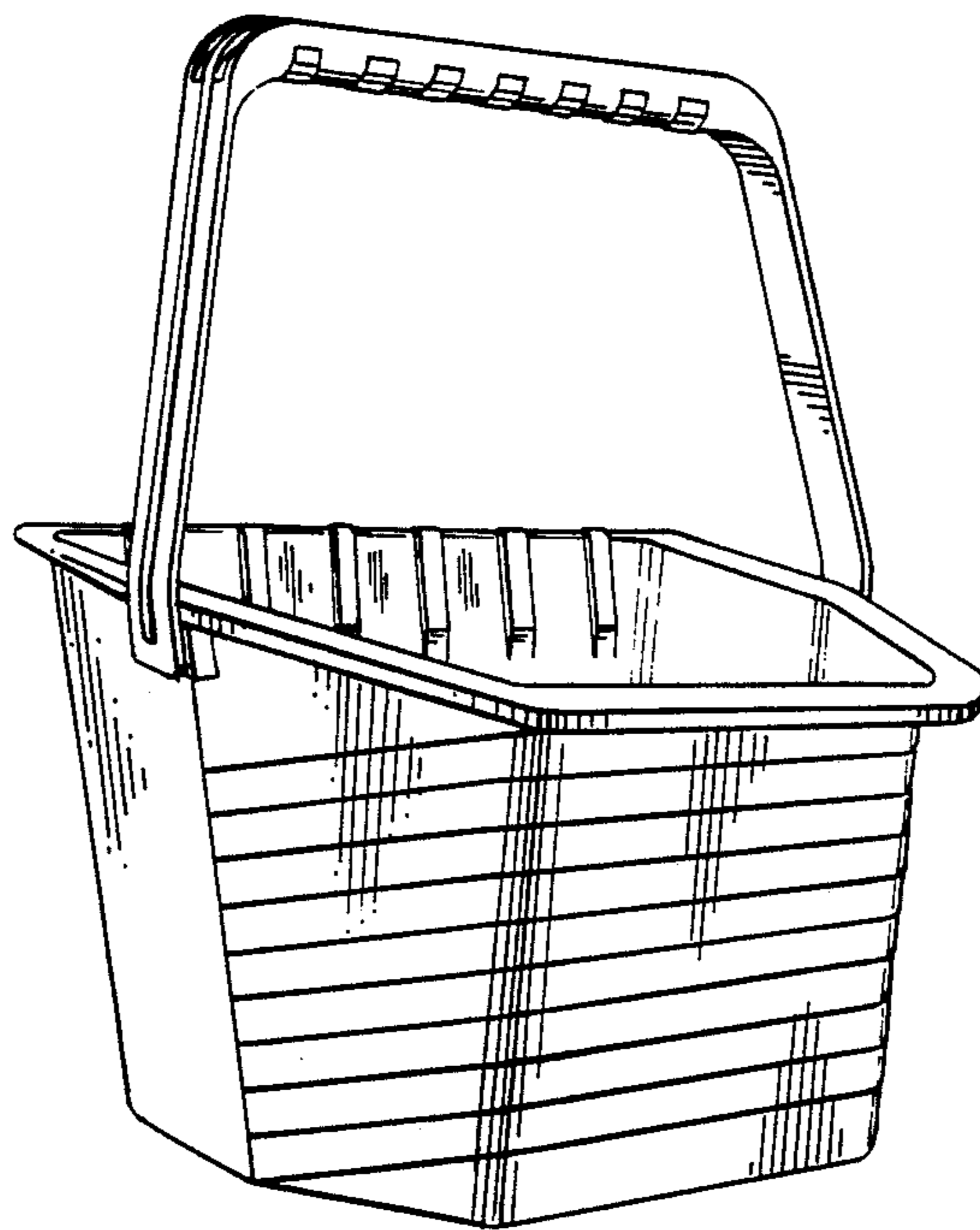


FIG. 7.