

United States Patent [19]

Stairs, Jr.

[11] Patent Number: **Des. 305,455**

[45] Date of Patent: **** Jan. 9, 1990**

[54] **COMBINED BATHTUB OVERFLOW DRAIN COVER AND DRAIN CONTROL HANDLE**

[75] Inventor: **Henry M. Stairs, Jr., Neshanic, N.J.**

[73] Assignee: **American Standard Inc., New York, N.Y.**

[**] Term: **14 Years**

[21] Appl. No.: **34,186**

[22] Filed: **Apr. 6, 1987**

[52] U.S. Cl. **D23/254**

[58] Field of Search **D23/233-254, D23/260, 261; 4/198, 199, 204, 206**

[56] **References Cited**

U.S. PATENT DOCUMENTS

D. 189,180	11/1960	Young	D23/261
D. 190,314	5/1961	Nelson	D23/252
D. 209,186	11/1967	Mason	D23/260
D. 226,763	4/1973	Rauh	D23/238
D. 248,769	8/1978	Jetter	D23/254
D. 265,118	6/1982	Fleischmann et al.	D23/252
D. 277,696	2/1985	Doman et al.	D23/261
1,937,312	11/1933	Brotz	4/199
2,059,120	10/1936	Kreuzer et al.	4/199
2,271,837	2/1942	Fredrickson et al.	4/199
2,477,478	7/1949	Donahue	4/198

2,607,045	8/1952	Morris	4/199
2,910,704	11/1959	Kinsey et al.	4/199
3,121,879	2/1964	Young	4/198
3,835,484	9/1974	Kato	4/199
3,860,977	1/1975	Politz	4/199
4,085,469	4/1978	Petursson	4/199
4,089,230	5/1978	Nelson	4/199
4,352,213	10/1982	Watts	4/199
4,744,108	5/1988	Schmidt	4/199

Primary Examiner—James R. Largen

Attorney, Agent, or Firm—James J. Salerno, Jr.; John P. Sinnott

[57] **CLAIM**

The ornamental design of a combined bathtub overflow drain cover and drain control handle, as shown and described.

DESCRIPTION

FIG. 1 is a front elevational view of a combined bathtub overflow drain cover and drain control handle showing my new design;
FIG. 2 is a top plan view thereof;
FIG. 3 is a rear elevational view thereof;
FIG. 4 is a bottom plan view thereof;
FIG. 5 is a left side elevational view thereof, the right side being a mirror image of the left side shown; and
FIG. 6 is an exploded isometric view thereof.

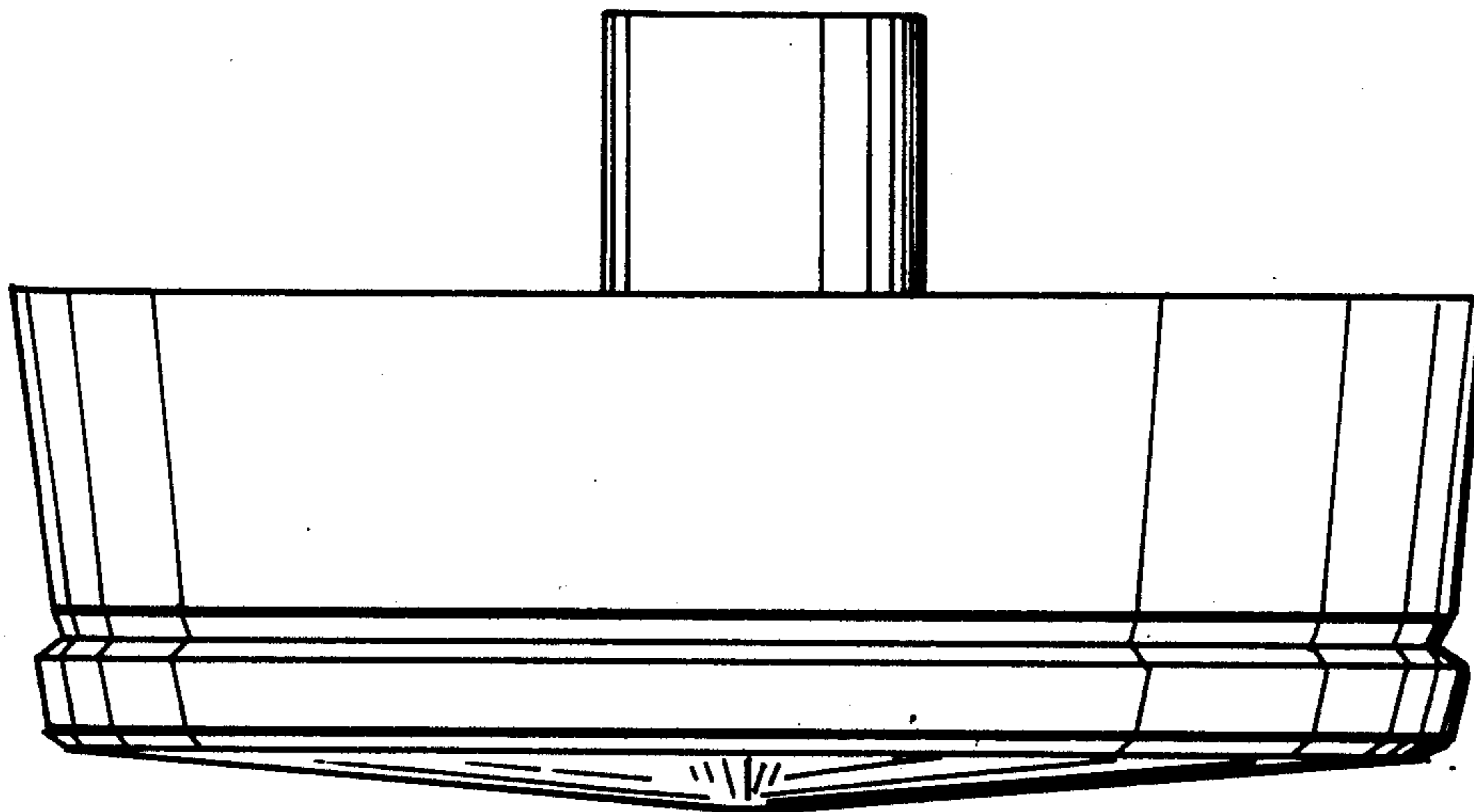


FIG. 1

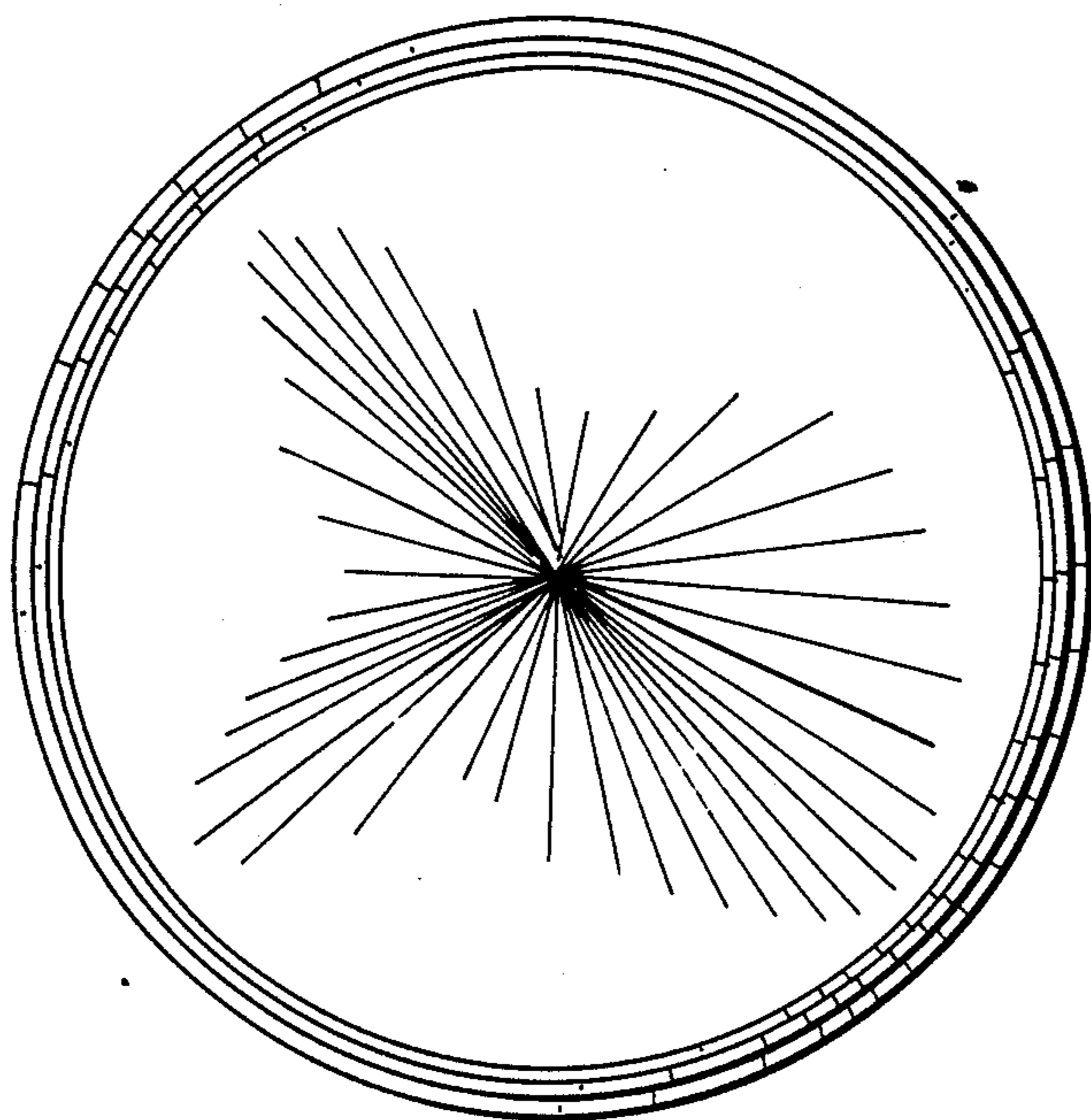


FIG. 2

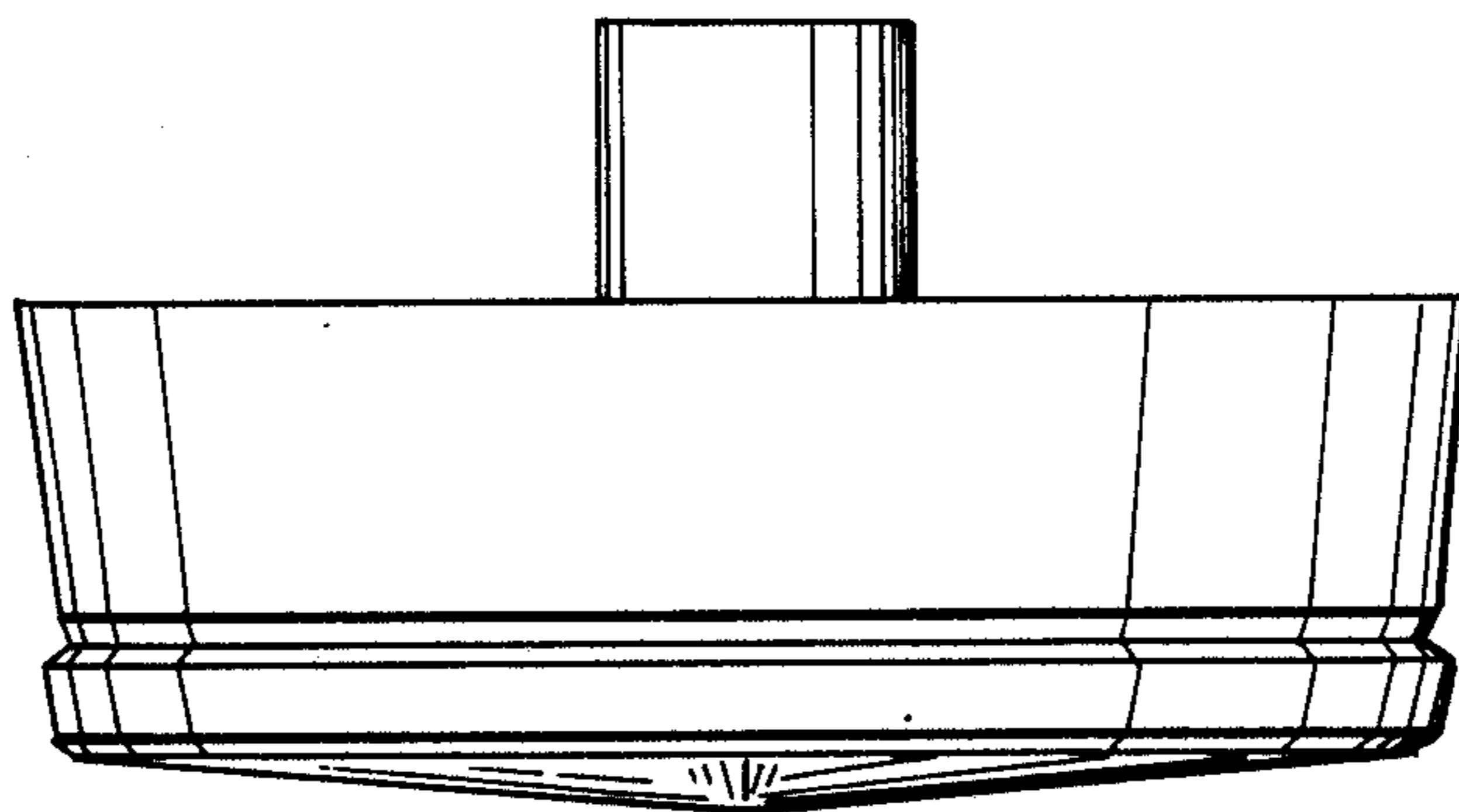


FIG. 3

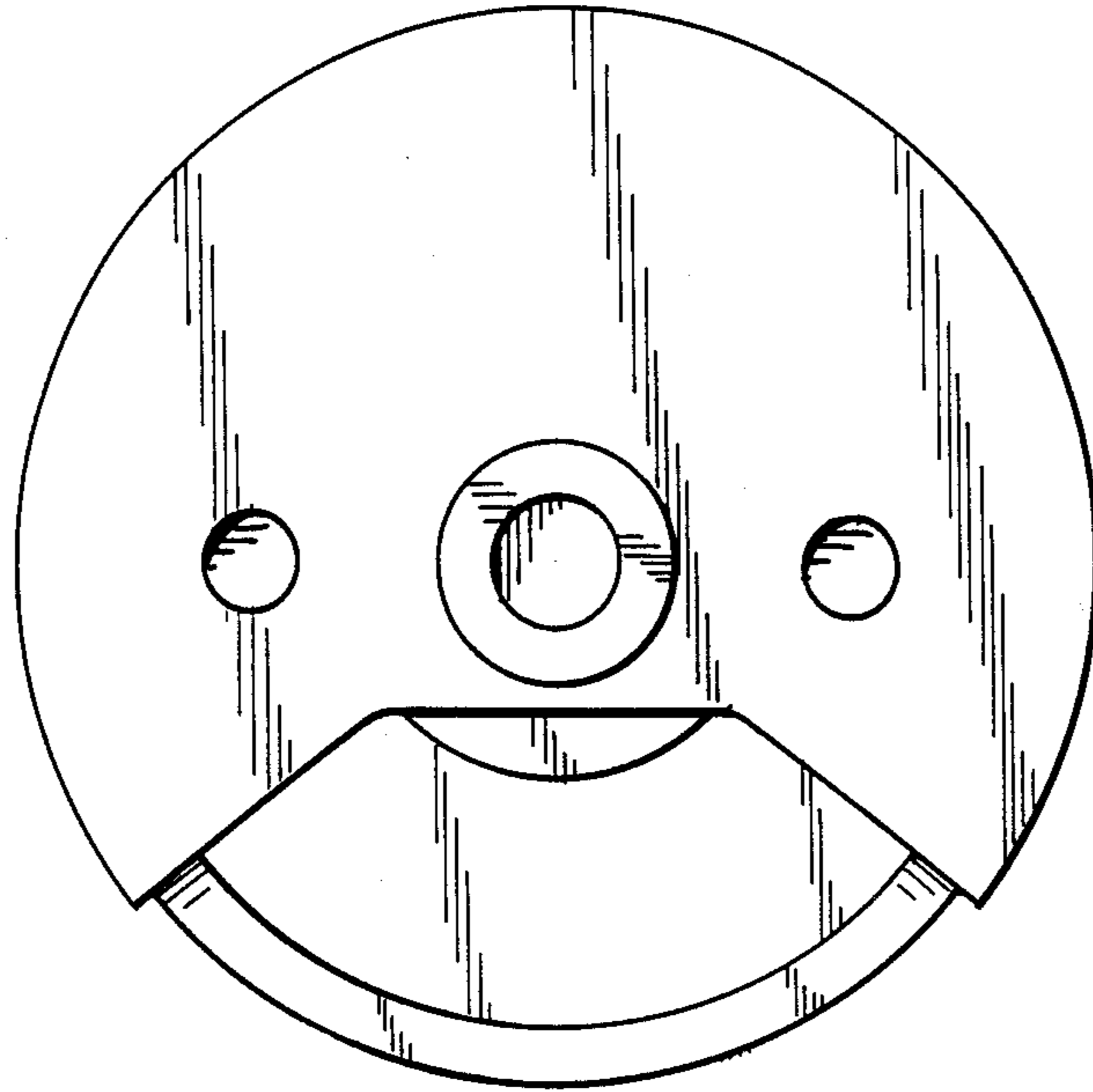


FIG. 4

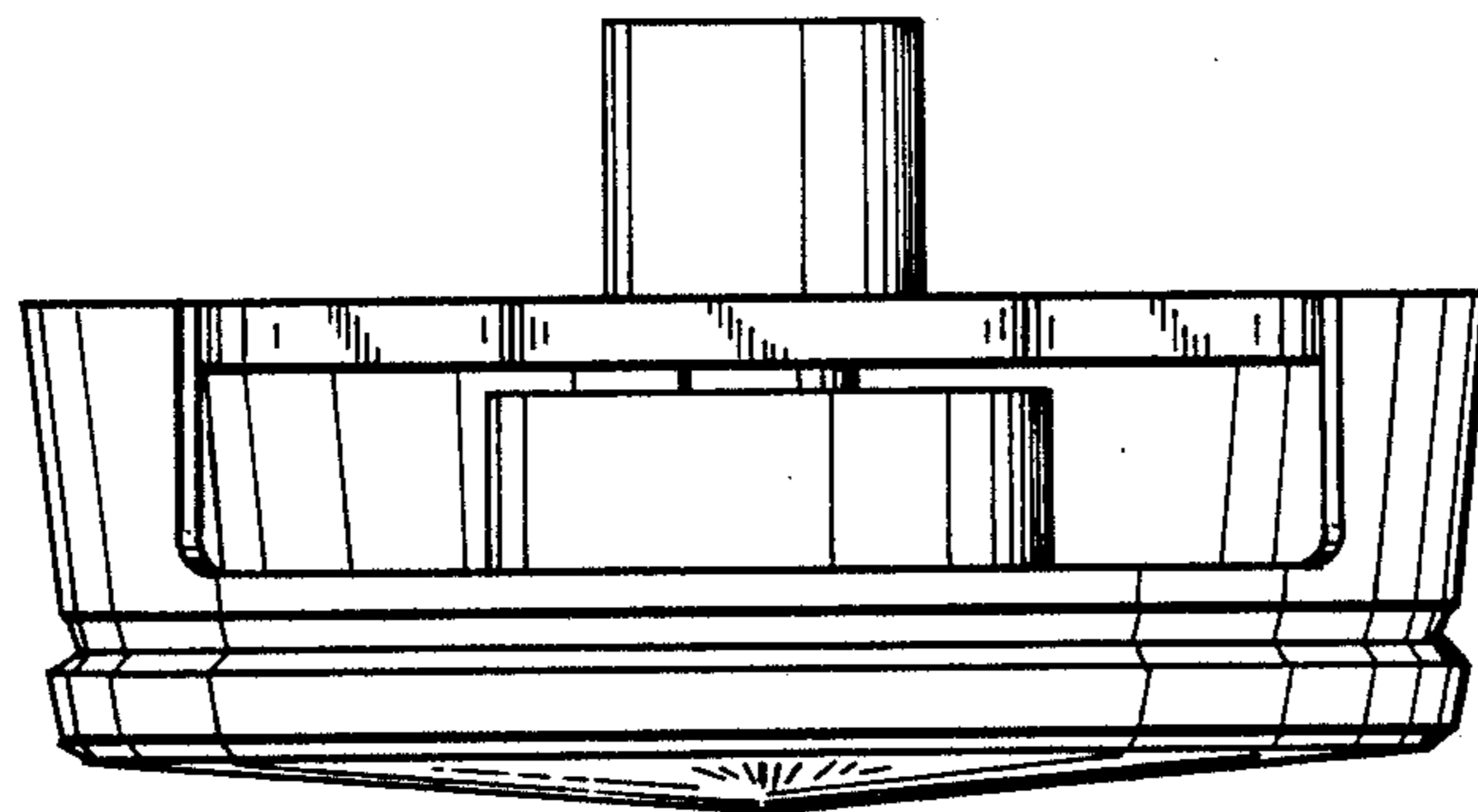


FIG. 5

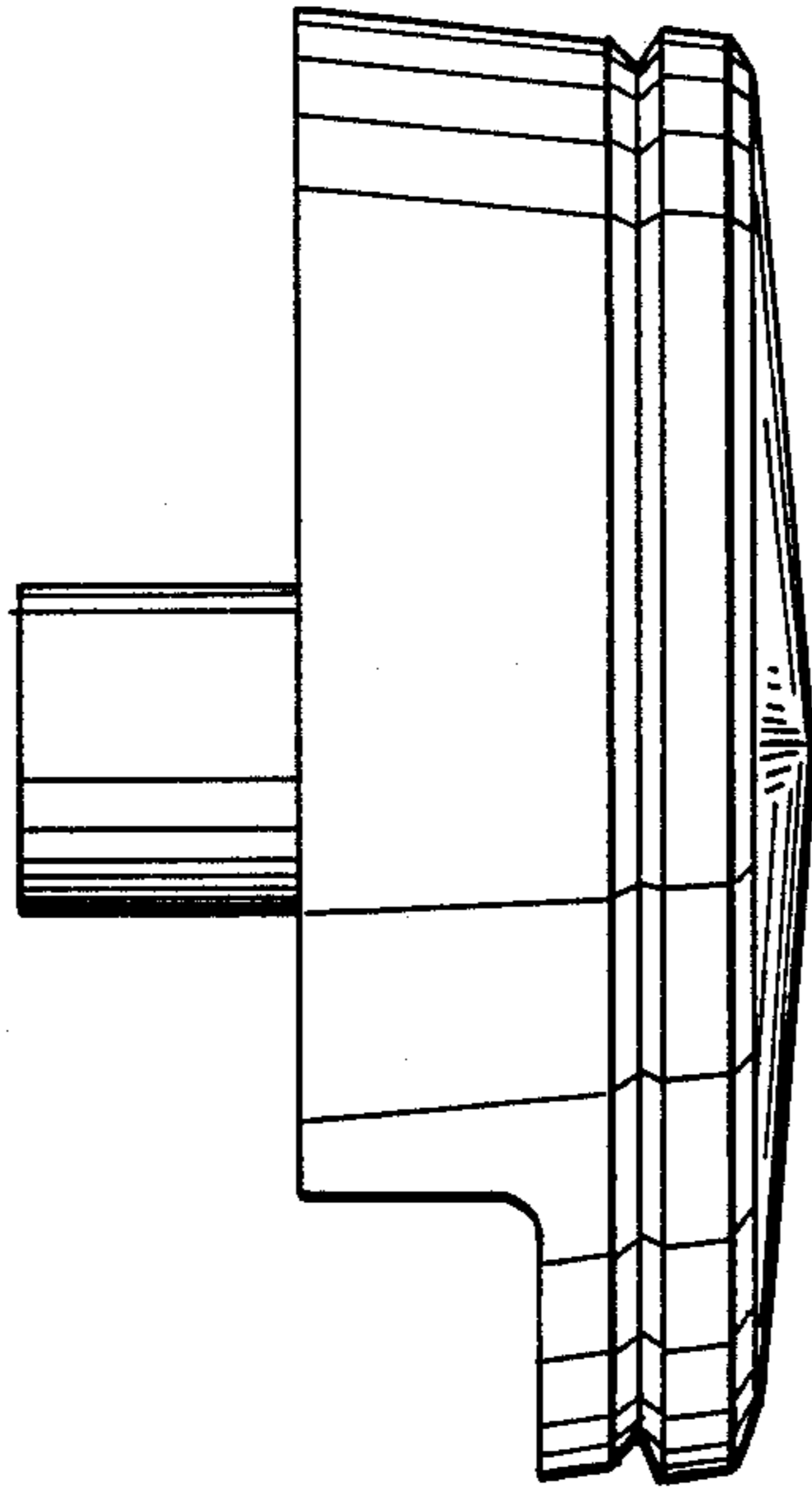


FIG. 6

