

[54] **HOSE END TRIGGER NOZZLE**

[75] **Inventor: Craig E. Beal, Vista, Calif.**

[73] **Assignee: Rain Bird Consumer Products Mfg. Corp, Glendora, Calif.**

[**] **Term: 14 Years**

[21] **Appl. No.: 126,301**

[22] **Filed: Nov. 27, 1987**

[52] **U.S. Cl. D23/226**

[58] **Field of Search D23/213, 223, 224, 225, D23/226, 227; 239/526; 222/79**

[56] **References Cited**

U.S. PATENT DOCUMENTS

- D. 179,697 2/1957 Price D23/223
- D. 299,158 12/1988 Bender D23/226
- 4,776,517 10/1988 Heren 239/526

Primary Examiner—James M. Gandy
Assistant Examiner—Lisa Lichtenstein
Attorney, Agent, or Firm—Kelly Bauersfeld & Lowry

[57] **CLAIM**

The ornamental design for a hose end trigger nozzle, as shown and described.

DESCRIPTION

FIG. 1 is a perspective view of a hose end trigger nozzle showing my new design, as seen from the front and left side, it being understood that the broken line showing of a spray nozzle is for illustrative purposes only, and forms no part of the claimed design;

FIG. 2 a left side elevational view of the hose end trigger nozzle of FIG. 1, the right side being a mirror image thereof;

FIG. 3 is a top plan view thereof;

FIG. 4 is a front elevational view thereof;

FIG. 5 is a rear elevational view thereof; and

FIG. 6 is a bottom plan view thereof.

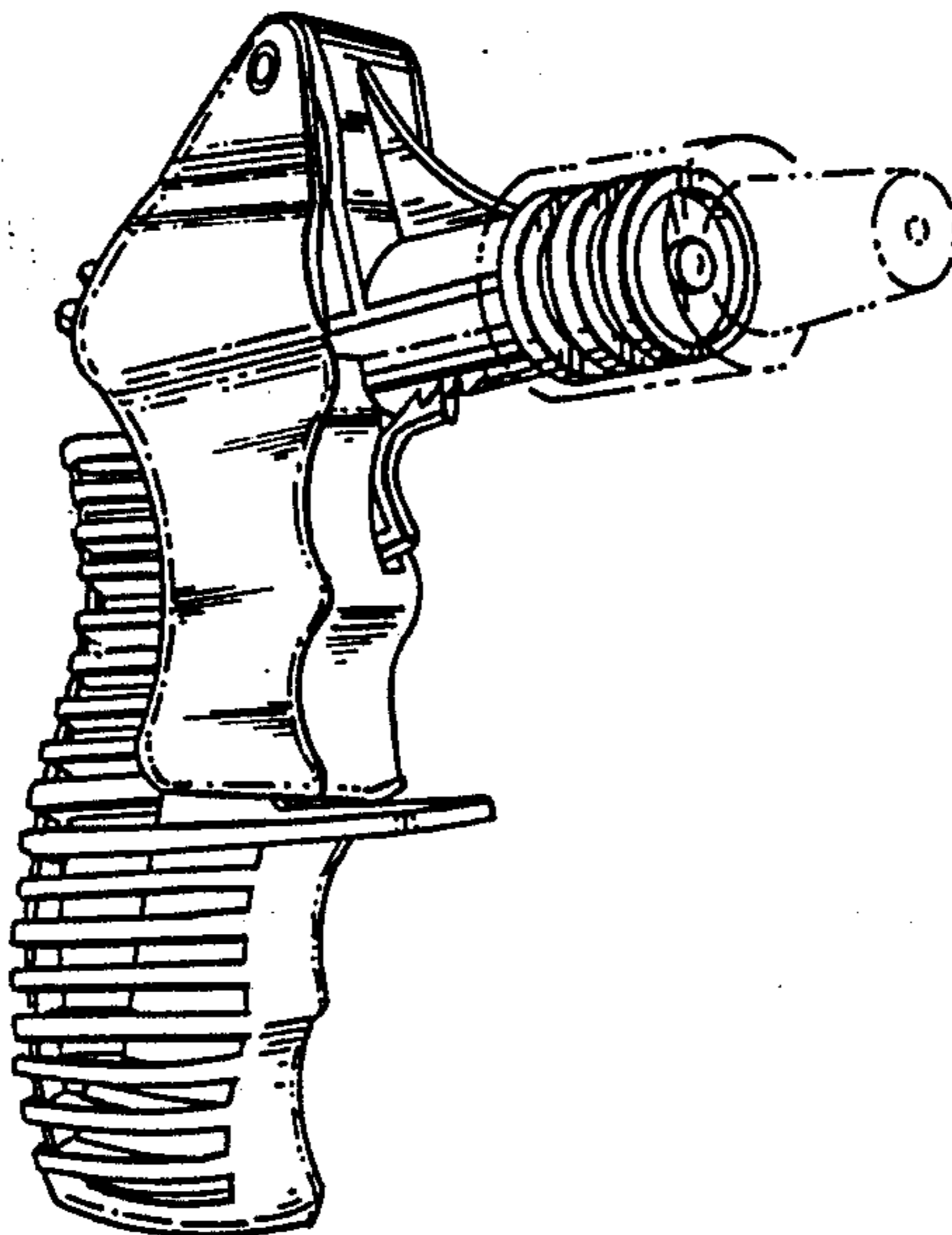


FIG. 1

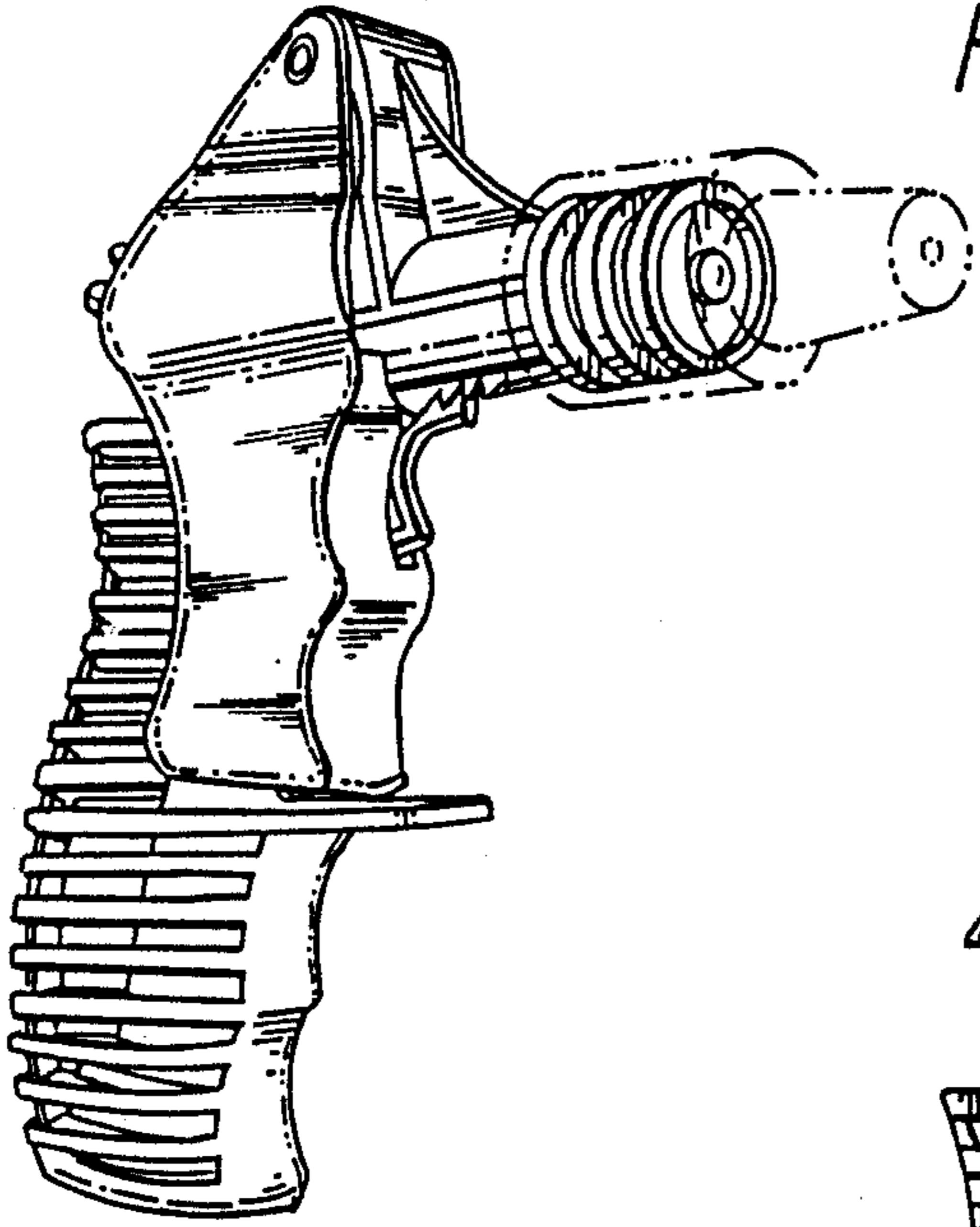


FIG. 2

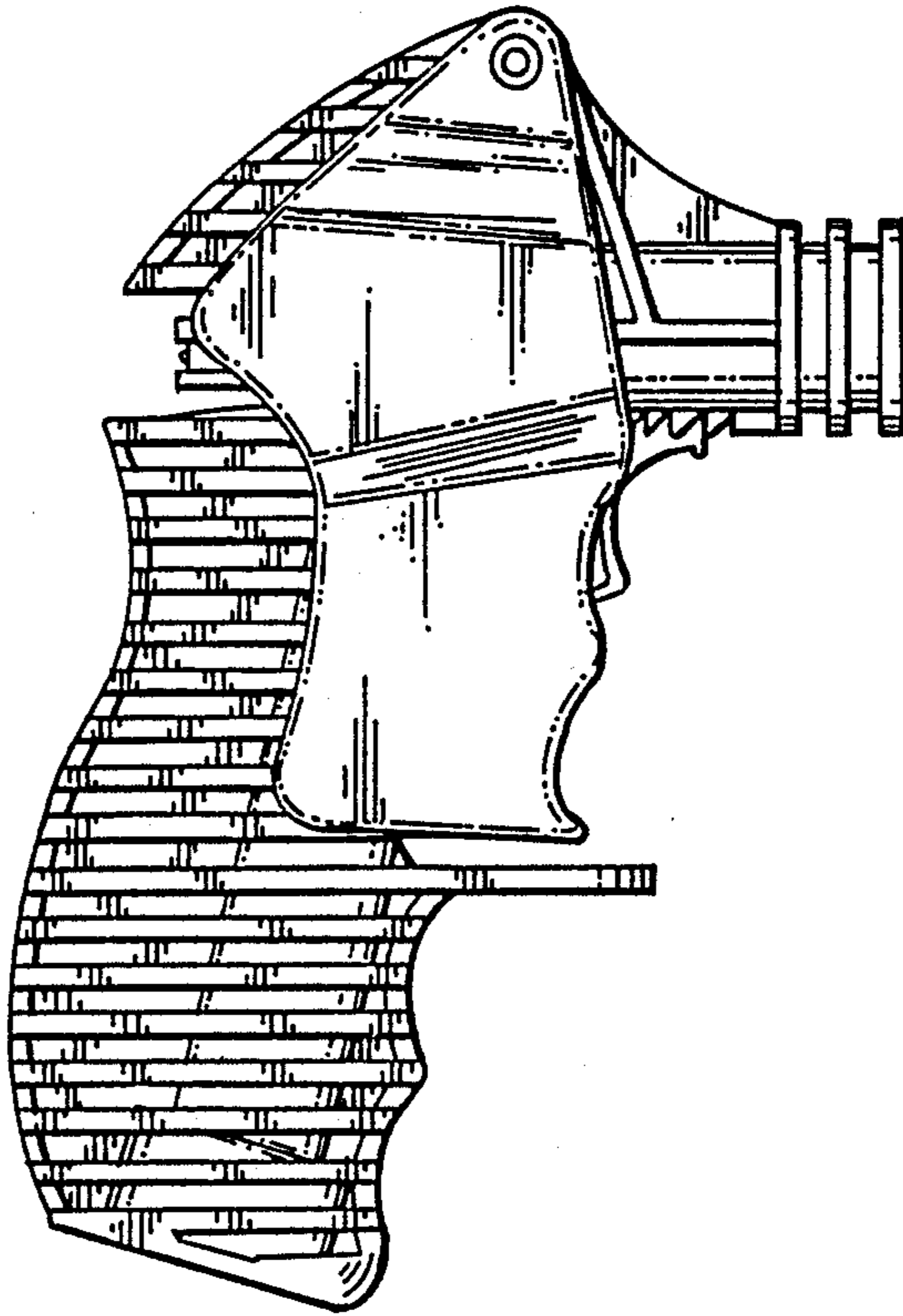
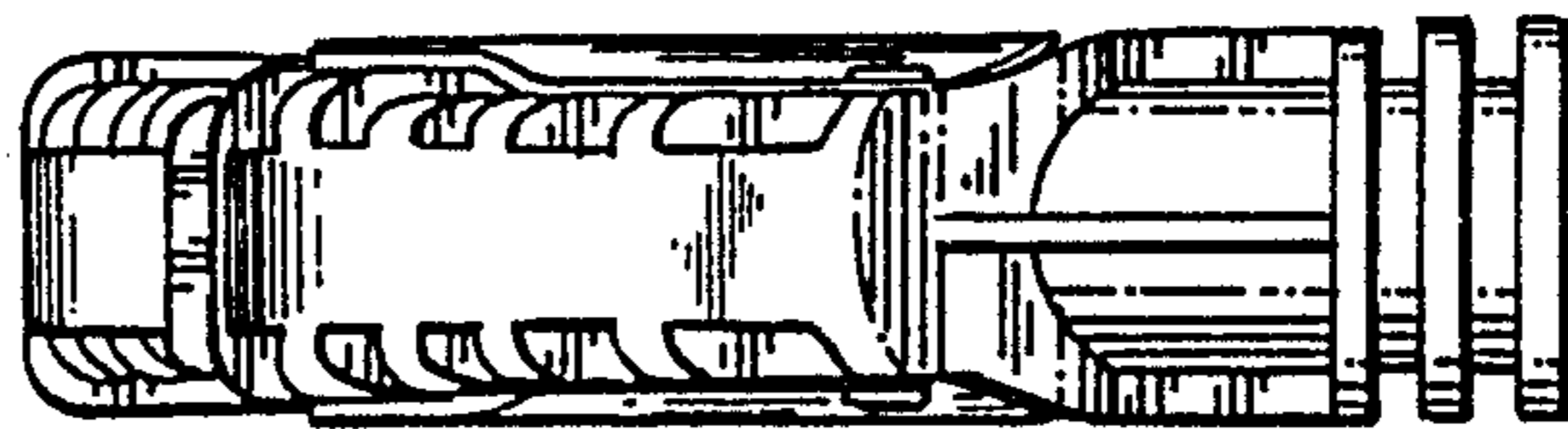


FIG. 3



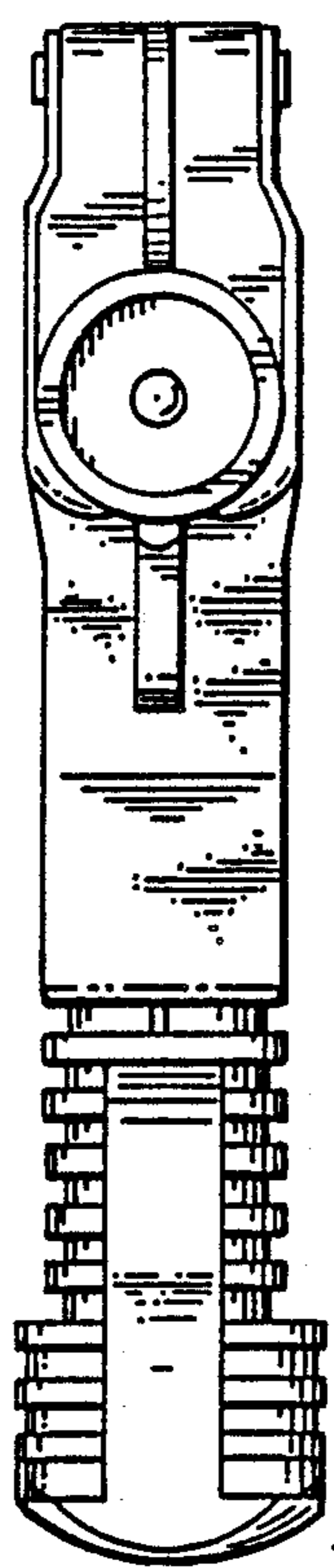


FIG. 4

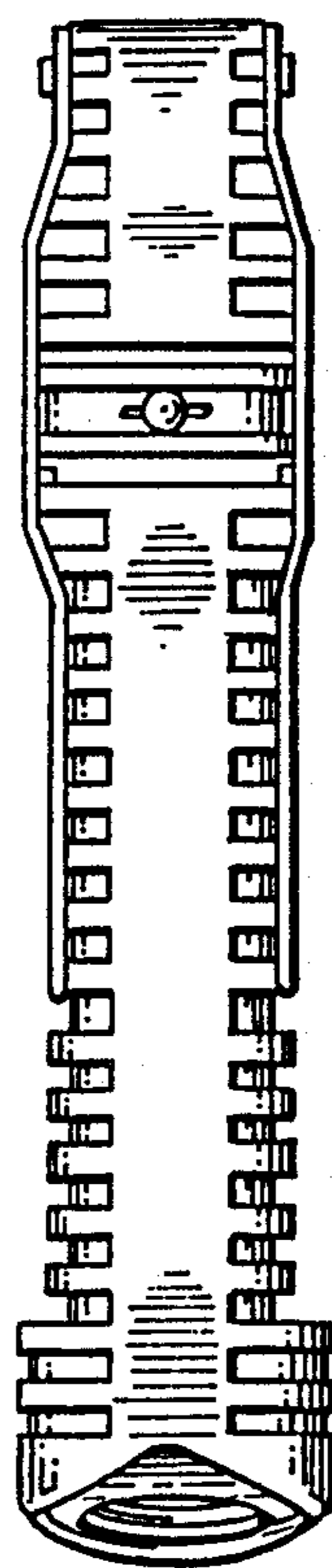


FIG. 5

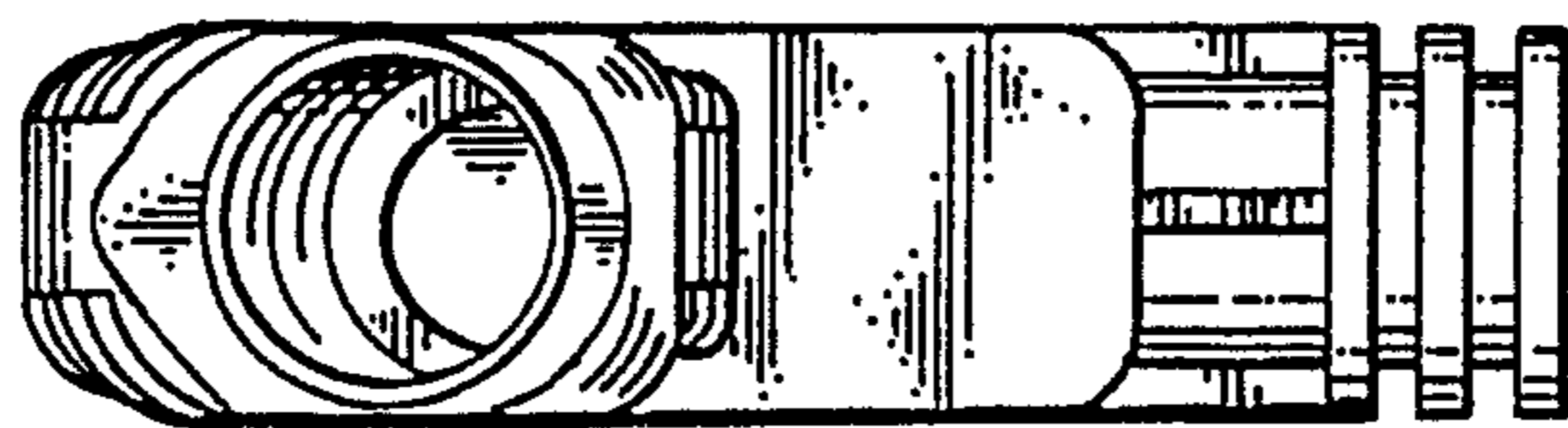


FIG. 6