

# United States Patent [19]

Morgan

[11] Patent Number: Des. 305,453

[45] Date of Patent: \*\* Jan. 9, 1990

[54] SPRAY GUN

[75] Inventor: Fredrick M. Morgan, Toledo, Ohio

[73] Assignee: The DeVilbiss Company, Toledo, Ohio

[\*\*] Term: 14 Years

[21] Appl. No.: 116,120

[22] Filed: Oct. 30, 1987

[52] U.S. Cl. .... D23/226

[58] Field of Search ..... D23/213, 223, 224, 225,  
D23/226, 227; 239/527, 290, 296, 526, 528, 531,  
DIG. 14

[56] References Cited

U.S. PATENT DOCUMENTS

D. 133,223	7/1942	Tammen	.....	D23/226
D. 295,548	5/1988	Dalton	.....	D23/226
1,969,205	8/1934	Carr et al.	.....	239/DIG. 14
3,515,355	6/1970	Wagner	.....	239/526
4,531,675	7/1985	Muck	.....	239/290
4,537,357	8/1985	Culbertson et al.	.....	239/290

FOREIGN PATENT DOCUMENTS

468642	10/1950	Canada	.....	239/296
1155919	12/1957	France	.....	239/528
2548555	1/1985	France	.....	239/290

OTHER PUBLICATIONS

Bus Transportation, Feb. 1954, p. 138, DeVilbiss Spray Guns models P-JGA-502, P-MBC-565, and P-MB-C-510, top right, middle right, and top left, of page. Binks Manufacturing Co. Spray Painting Equipment for the Painting Contractor Catalog PD-1, Jul. 1966, p. 16, Binks Spray Guns model 18 and model 62, top of page. DeVilbiss Air Spray Guns—Manual, Automatic, Special Purpose Catalogue, 1978, pp. 4 and 5, JGA, CGA, JGK, MBC, MGB, and TGA Spray Guns, tops of pp. 4 & 5.

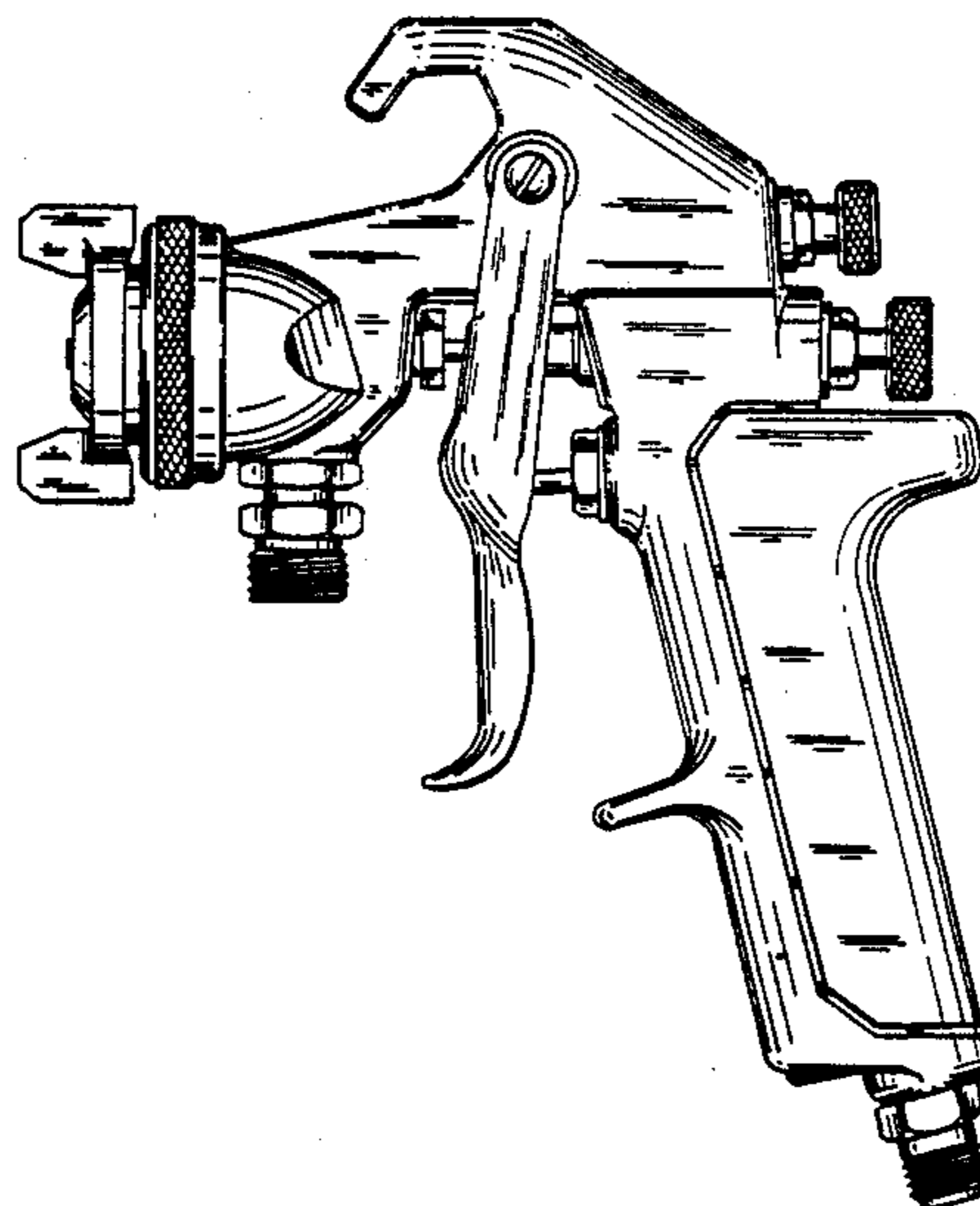
Primary Examiner—James M. Gandy  
Assistant Examiner—Lisa Lichtenstein  
Attorney, Agent, or Firm—MacMillan, Sobanski & Todd

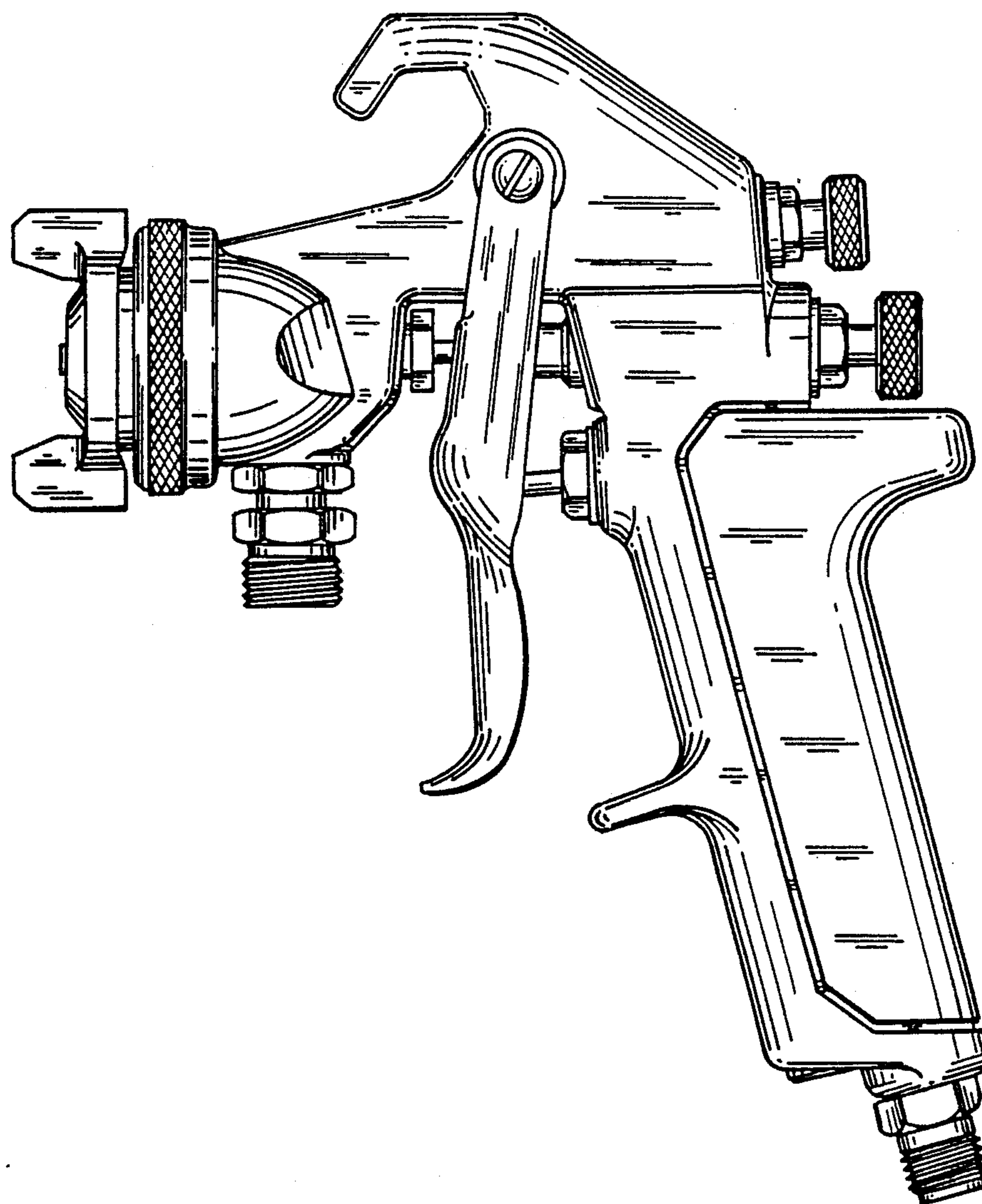
[57] CLAIM

The ornamental design for a spray gun, as shown and described.

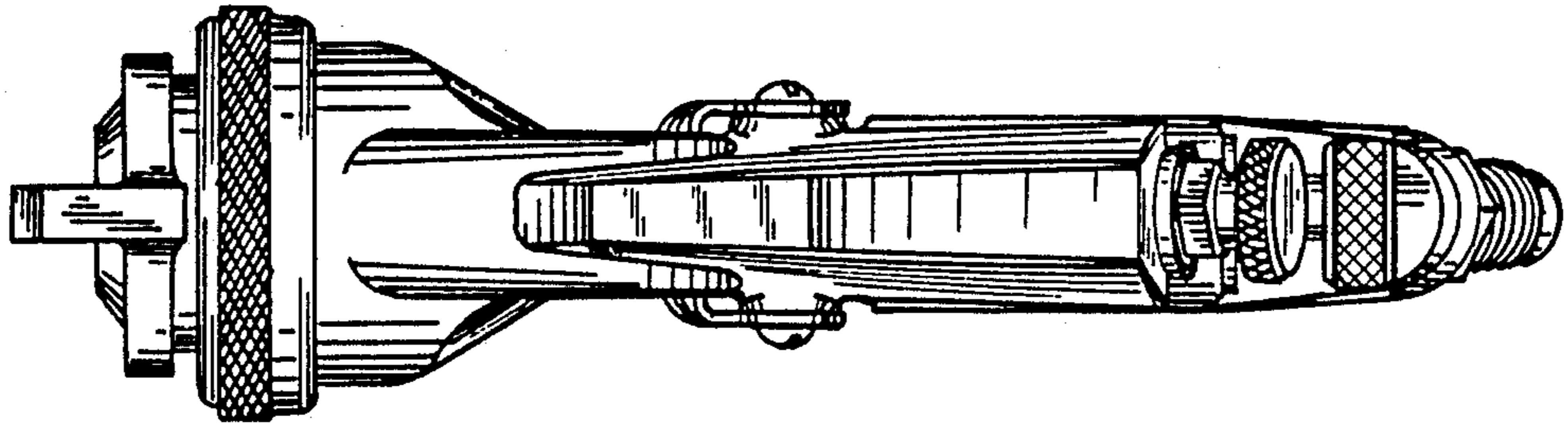
DESCRIPTION

FIG. 1 is a front side elevational view of a spray gun showing my new design, with the back side being a mirror image thereof;  
FIG. 2 is a top plan view thereof;  
FIG. 3 is a right side elevational view thereof;  
FIG. 4 is a left side elevational view thereof; and  
FIG. 5 is a bottom plan view thereof.

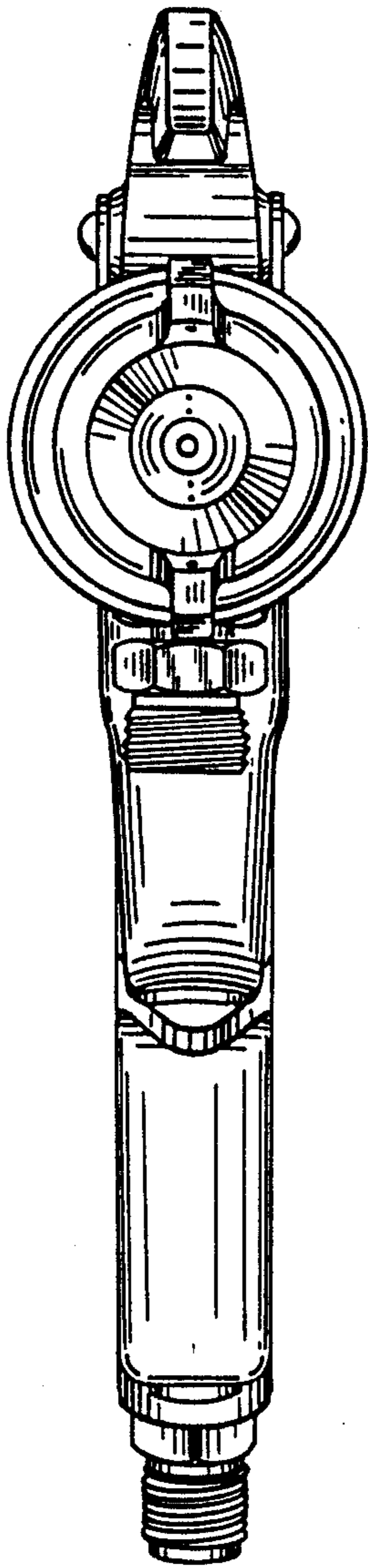




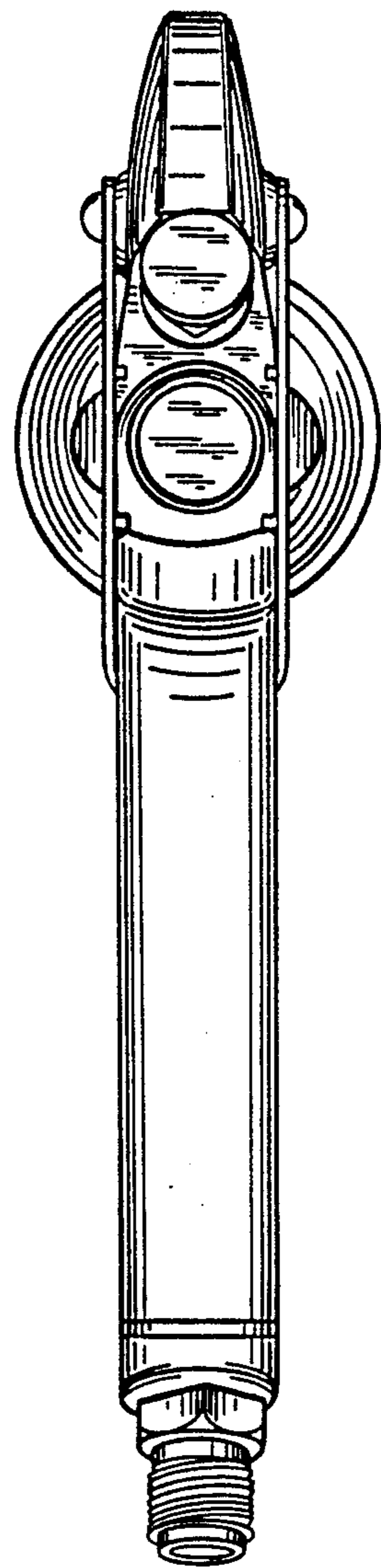
—FIG. 1



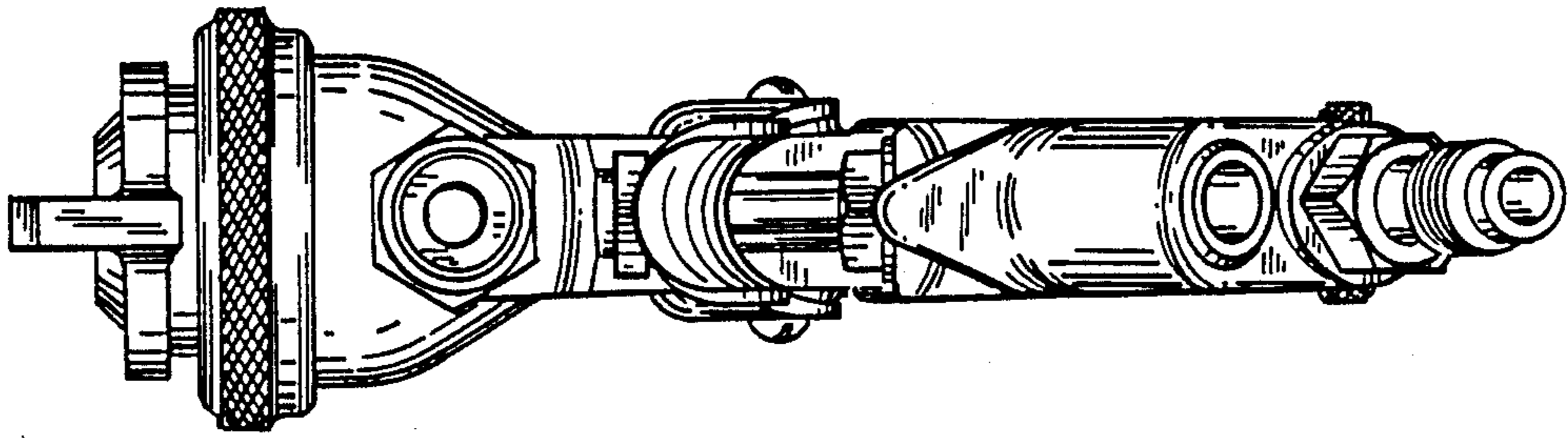
—FIG. 2



—FIG. 4



—FIG. 3



—FIG. 5