

[54] **SPRAY GUN UNIT**

[75] **Inventor: Fredrick M. Morgan, Toledo, Ohio**

[73] **Assignee: The DeVilbiss Company, Toledo, Ohio**

[\*\*] **Term: 14 Years**

[21] **Appl. No.: 116,135**

[22] **Filed: Oct. 30, 1987**

[52] **U.S. Cl. .... D23/225**

[58] **Field of Search ..... D23/213, 223, 224, 225, D23/226, 227; 239/527, 375, 526, 531, 528, 290, 296, DIG. 14; 222/630**

[56] **References Cited**

**U.S. PATENT DOCUMENTS**

D. 179,665	2/1957	Sykes .....	D23/225
2,904,262	9/1959	Peeps .....	239/290
3,381,845	5/1968	MacDonald .....	D23/225
3,515,355	6/1970	Wagner .....	239/526
3,780,953	12/1973	Malec .....	239/526

**OTHER PUBLICATIONS**

DeVilbiss Air Spray Guns—Manual, Automatic, Special

Purpose Catalogue, 1978, pp. 4 and 5, JGA Spray Gun, CGA Spray Gun and Cup Assembly, JGK Spray Gun, MBC Spray Gun, MGB Spray Gun, and TGA Spray Gun, top of pp. 4 and 5.

Binks Manufacturing Co. Spray Painting Equipment for Refinishing Catalogue RF-1, Jun. 12, 1967, p. 3, Binks Spray Guns Model 29, Model 35, Model 36, Model 26.

*Primary Examiner*—James M. Gandy

*Assistant Examiner*—Lisa Lichtenstein

*Attorney, Agent, or Firm*—MacMillan, Sobanski & Todd

[57] **CLAIM**

The ornamental design for a spray gun unit, as shown and described.

**DESCRIPTION**

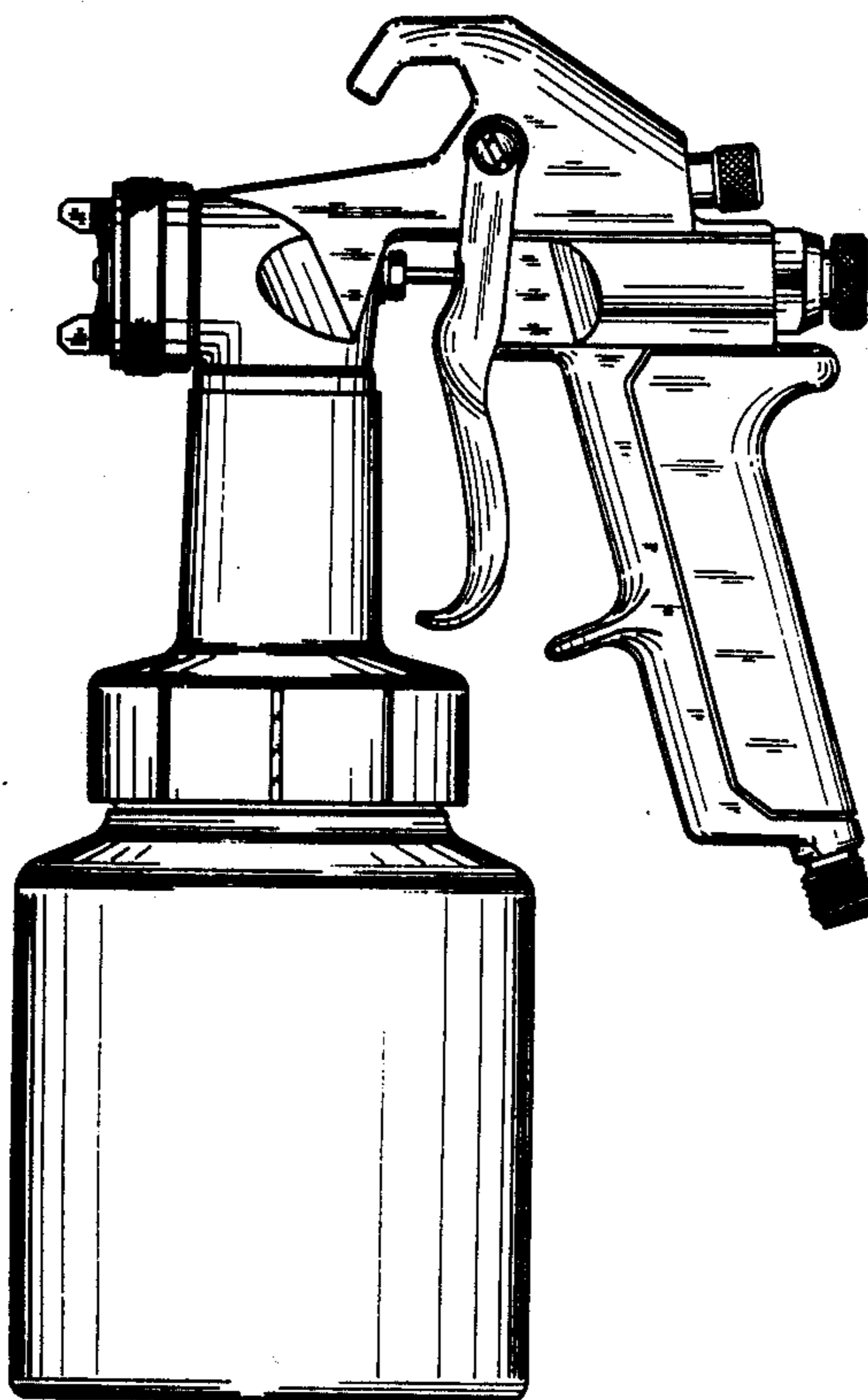
FIG. 1 is a front side elevational view of a spray gun unit showing my new design, with the rear elevational view being a mirror image thereof;

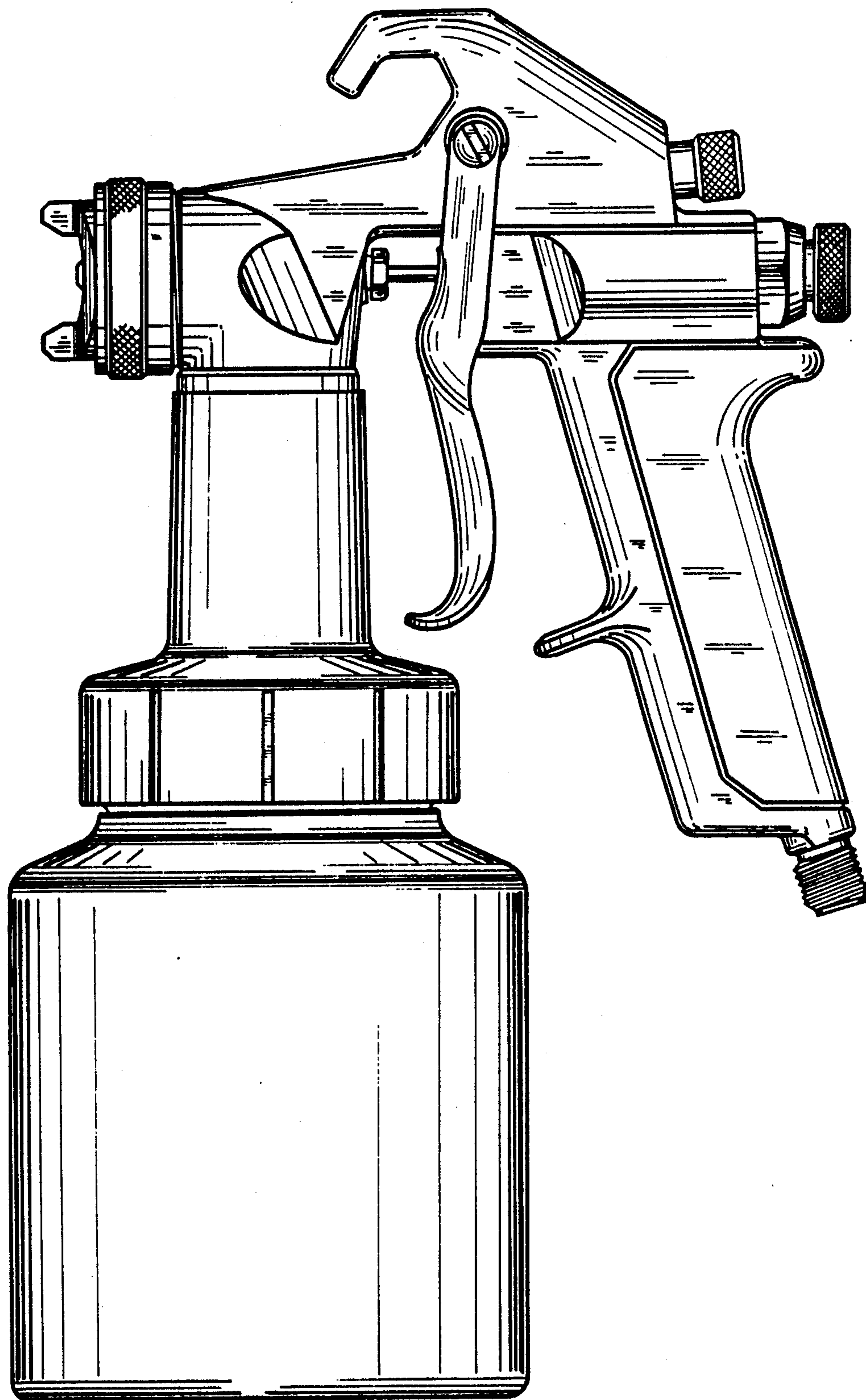
FIG. 2 is a top plan view thereof;

FIG. 3 is a left side elevational view thereof;

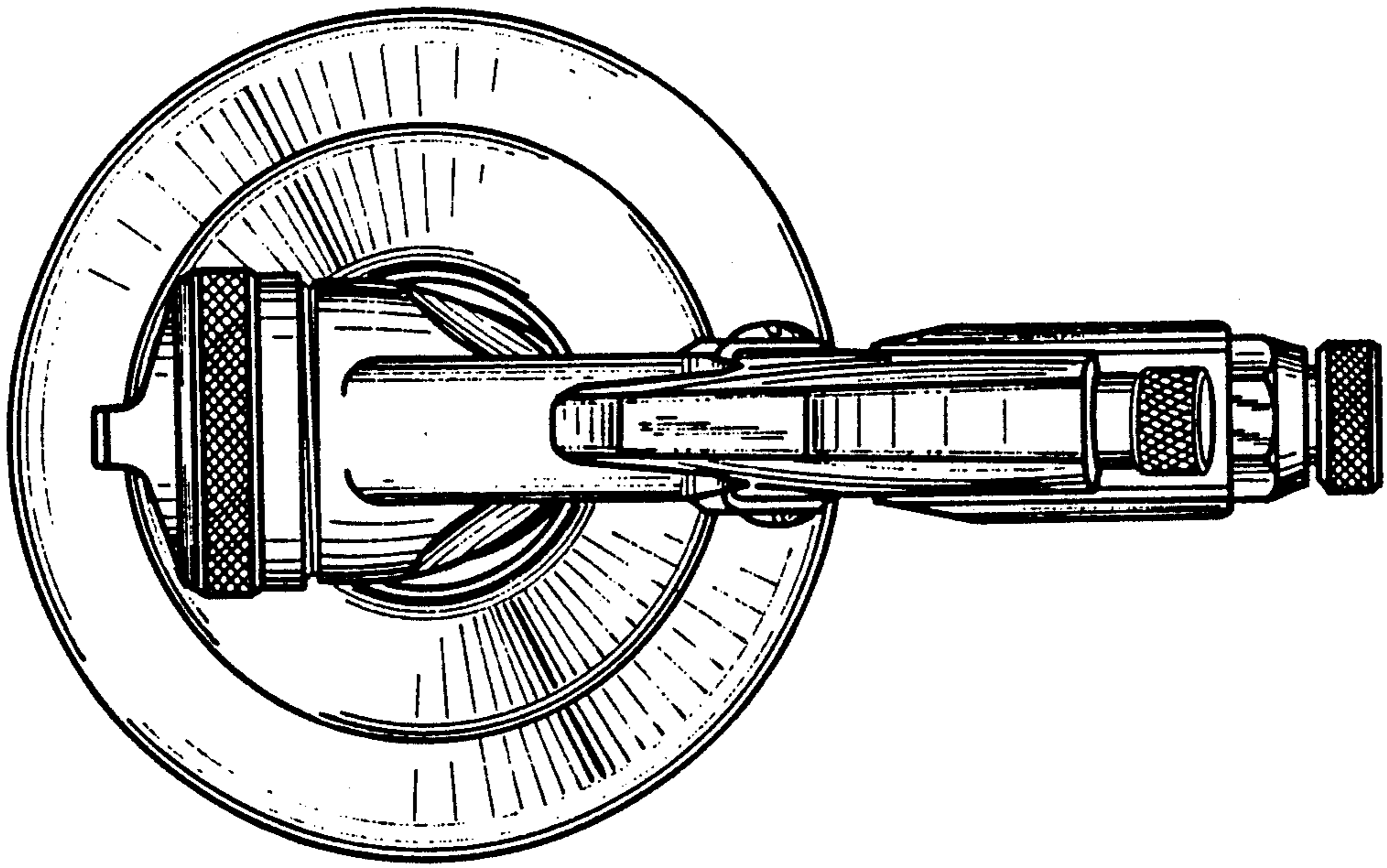
FIG. 4 is a right side elevational view thereof; and

FIG. 5 is a bottom plan view thereof.

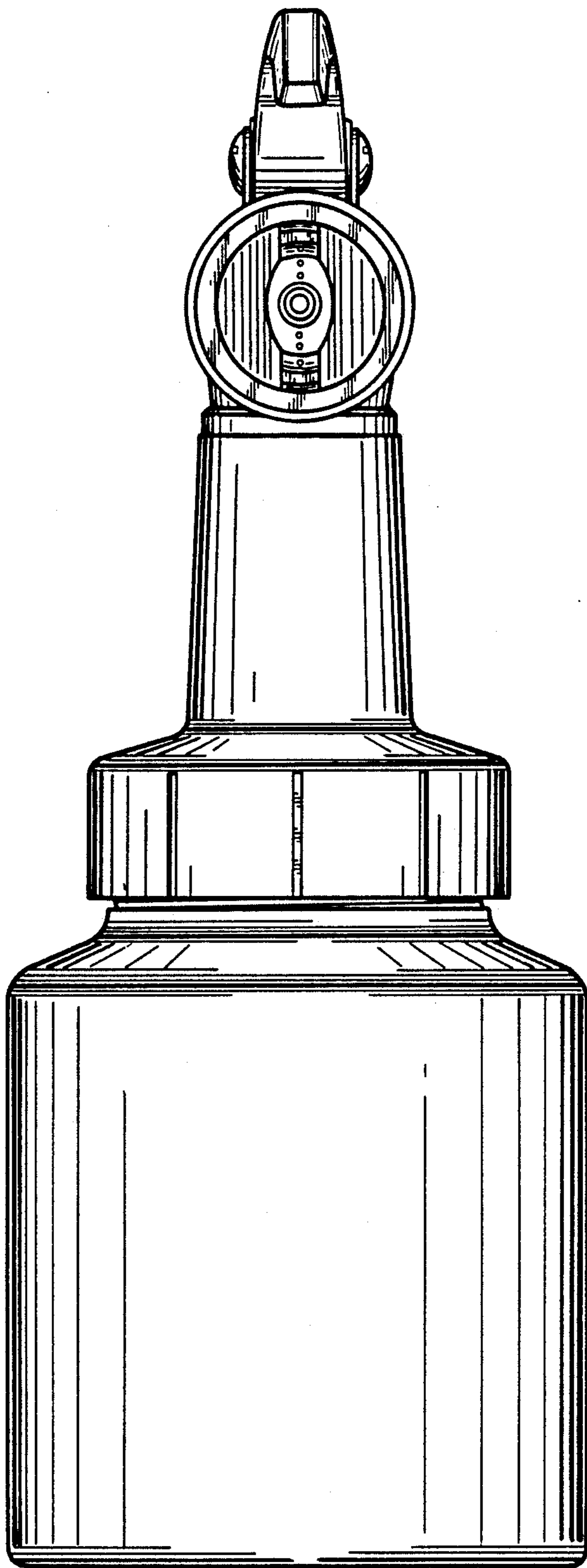




—FIG. 1

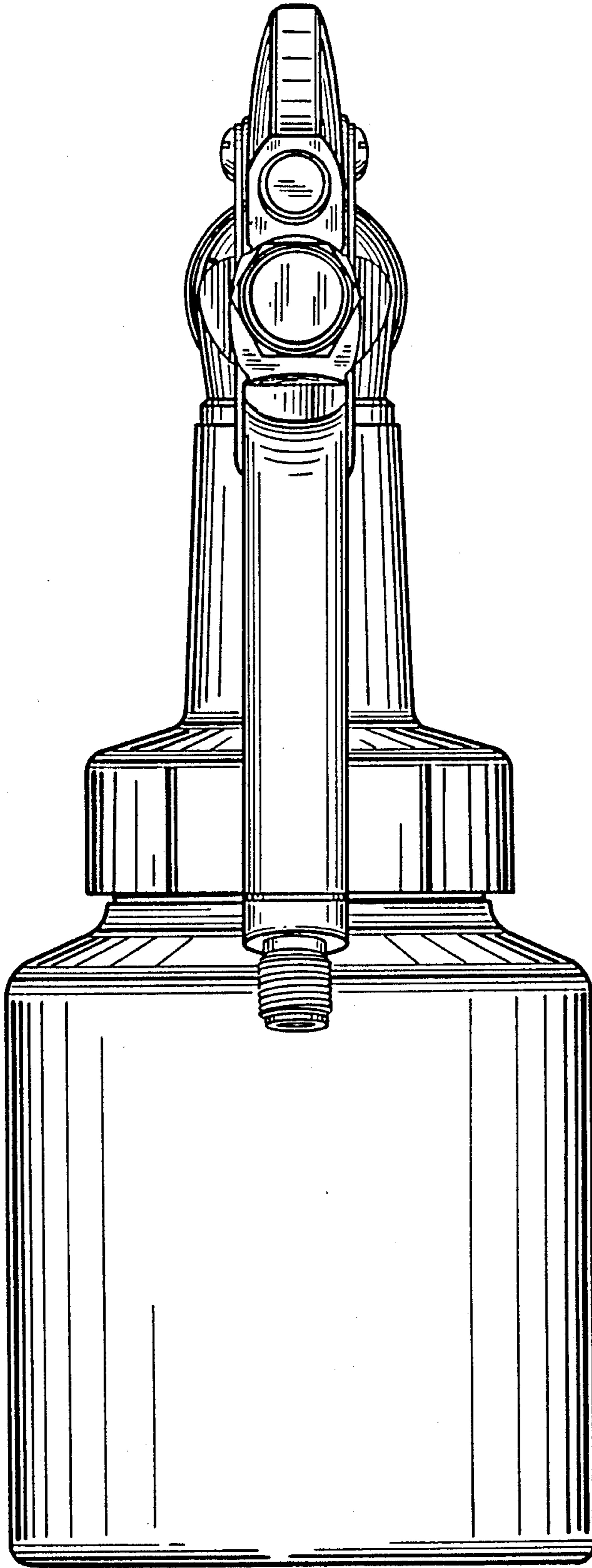


—FIG. 2

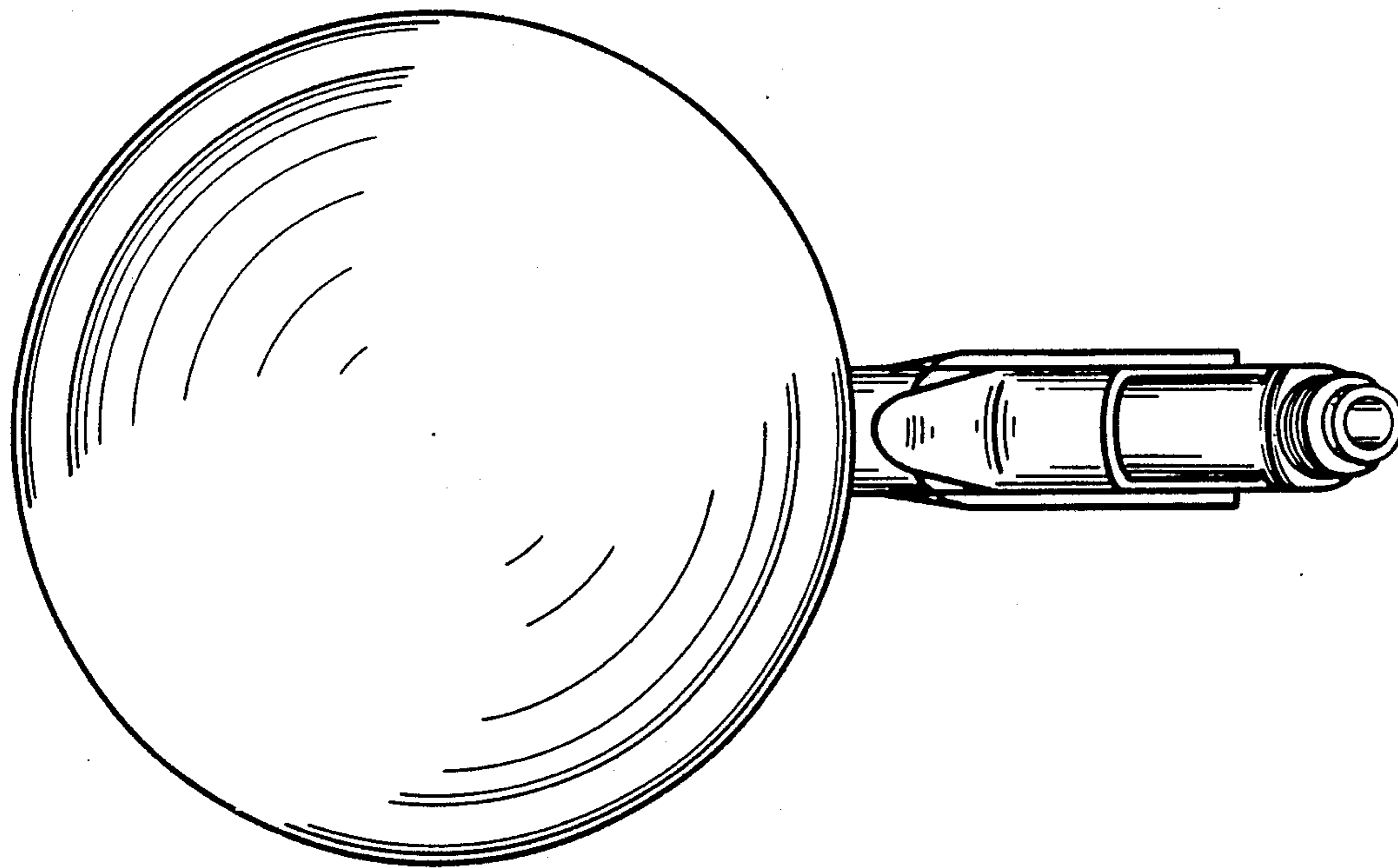


—FIG. 3





—FIG. 4



—FIG. 5