

[54] COMBINED FISHING POLE, NIGHT LIGHT AND BITE INDICATOR LIGHT

[76] Inventors: Jack B. Noble; Barbara A. Noble, both of 202 Macdill Ct., Lackland AFB, San Antonio, Tex. 78236

[**] Term: 14 Years

[21] Appl. No.: 914,757

[22] Filed: Oct. 2, 1986

[52] U.S. Cl. D22/142; D22/148

[58] Field of Search 43/17, 24, 25, 16; D22/134, 137, 138, 142, 148

[56] References Cited

U.S. PATENT DOCUMENTS

4,006,550	2/1977	Rizzo	43/17
4,118,882	10/1978	Gorsky	43/17
4,154,015	5/1979	Holland	43/17
4,178,712	12/1979	Williams	43/17
4,384,425	5/1983	Lemons	43/17
4,471,555	9/1984	Soukup	43/17
4,519,158	5/1985	Kirk	43/17

4,586,284 5/1986 Westwood, III 43/17

Primary Examiner—A. Hugo Word
Attorney, Agent, or Firm—W. C. Tupman

[57] CLAIM

The ornamental design for a combined fishing pole, night light and bite indicator light, as shown.

DESCRIPTION

FIG. 1 is a fragmentary rear top perspective view of the combined fishing pole, night light and bite indicator light shown in FIG. 3,

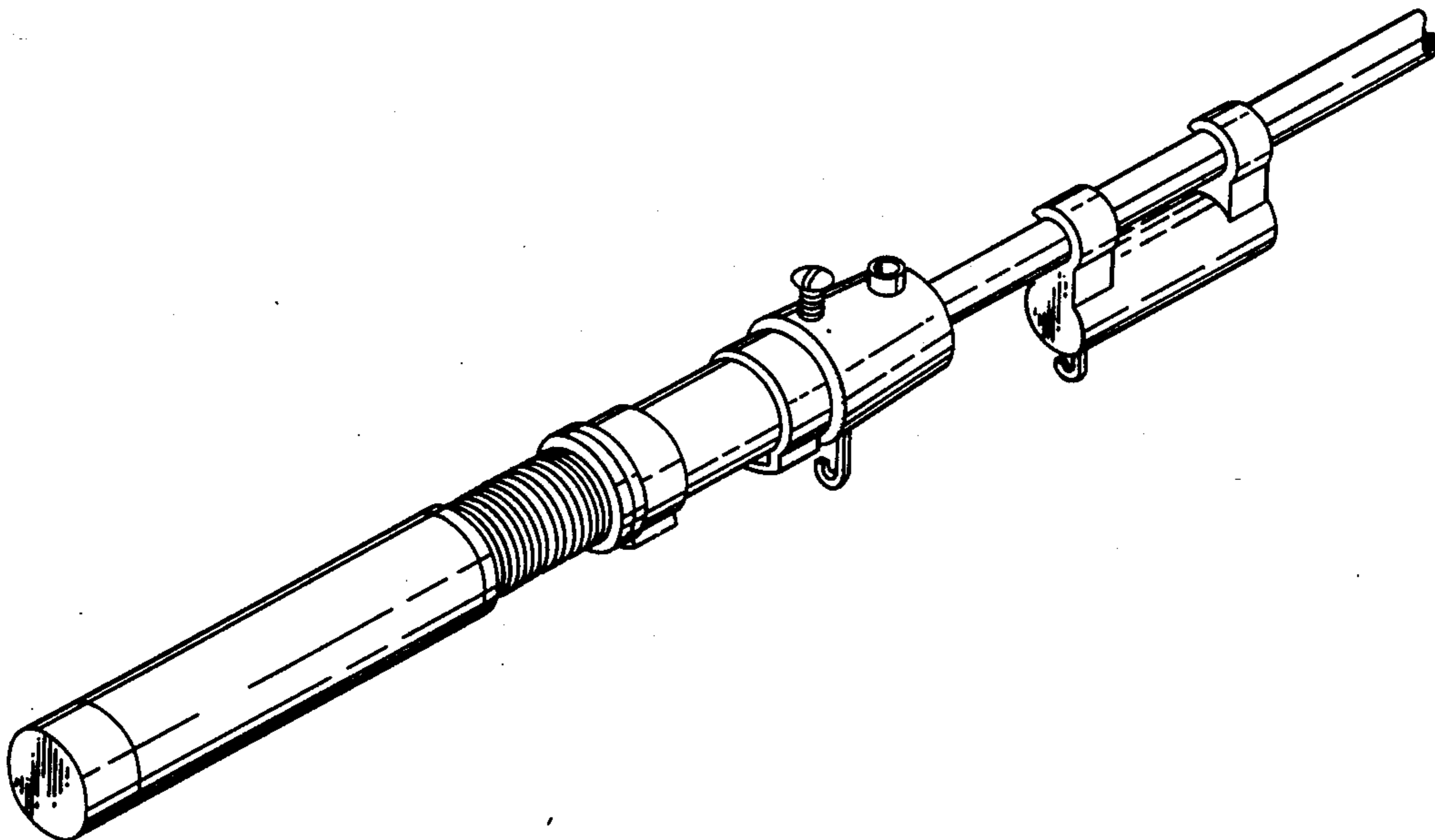
FIG. 2 is a fragmentary front top perspective view thereof;

FIG. 3 is a side elevational view of a combined fishing pole, night light and bite indicator light showing our new design;

FIG. 4 is a side elevational view of the combined fishing pole and night light thereof;

FIG. 5 is a rear perspective view of the bite indicator light; and

FIG. 6 is a front perspective view of the bite indicator light.



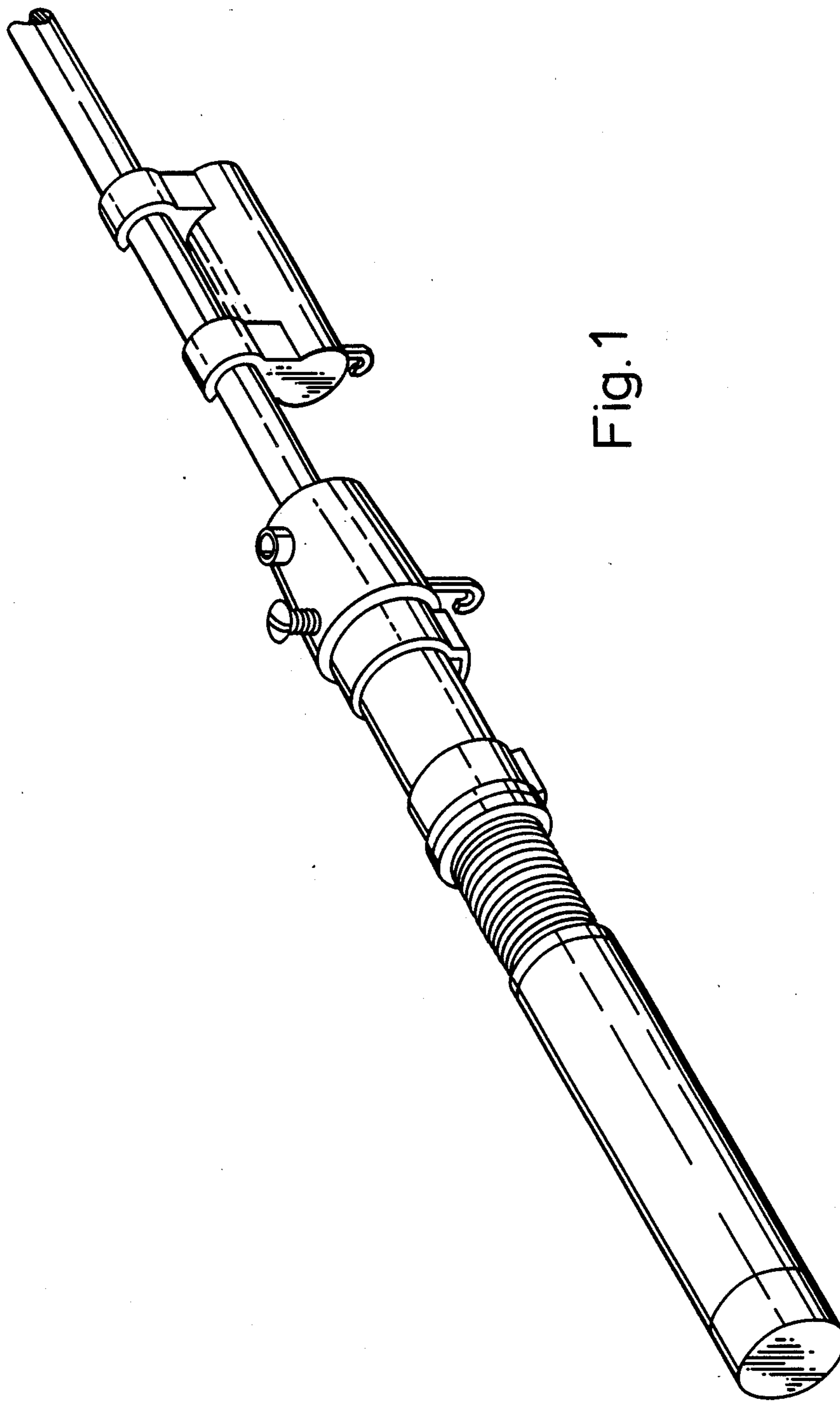


Fig. 1

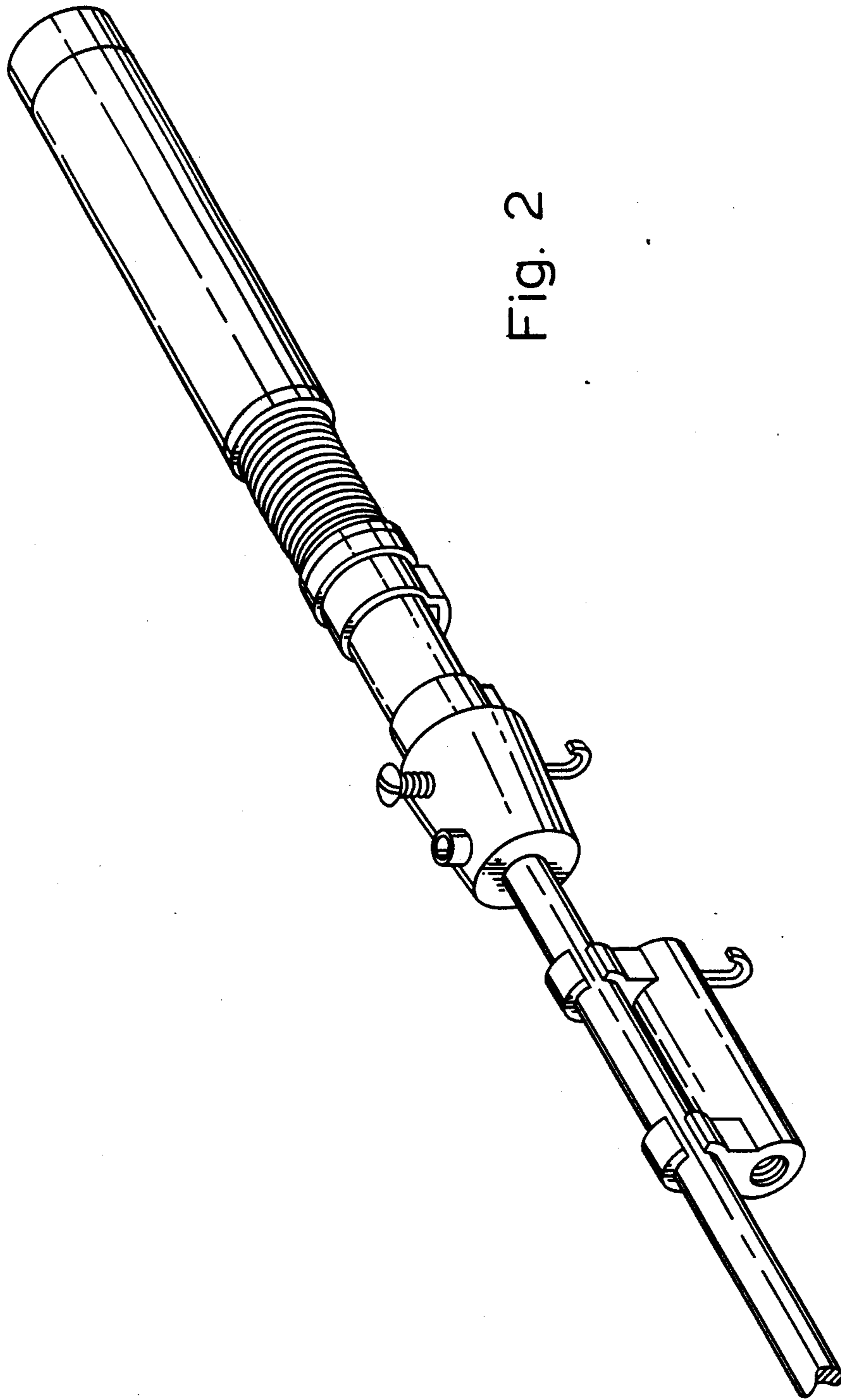


Fig. 2

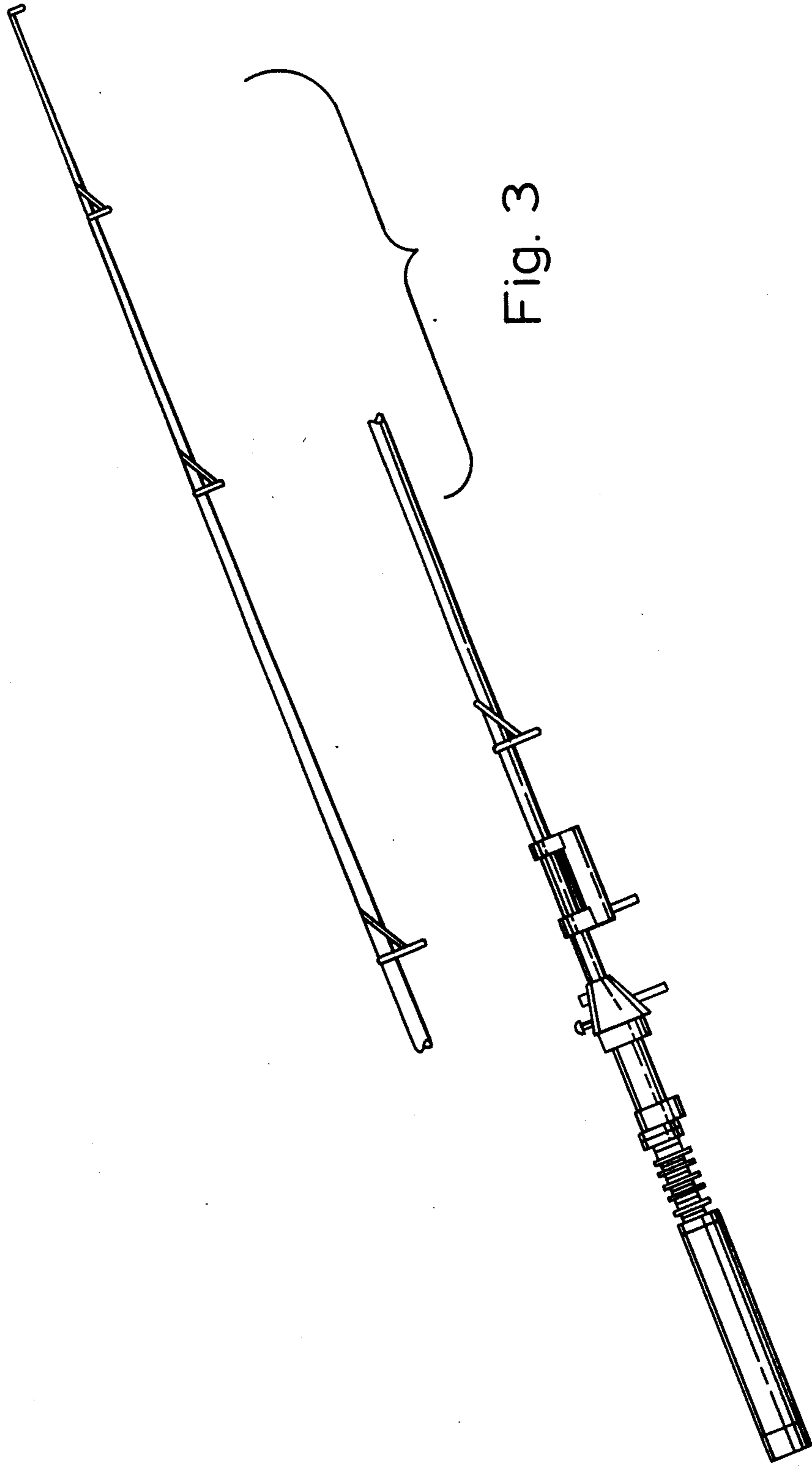


Fig. 3

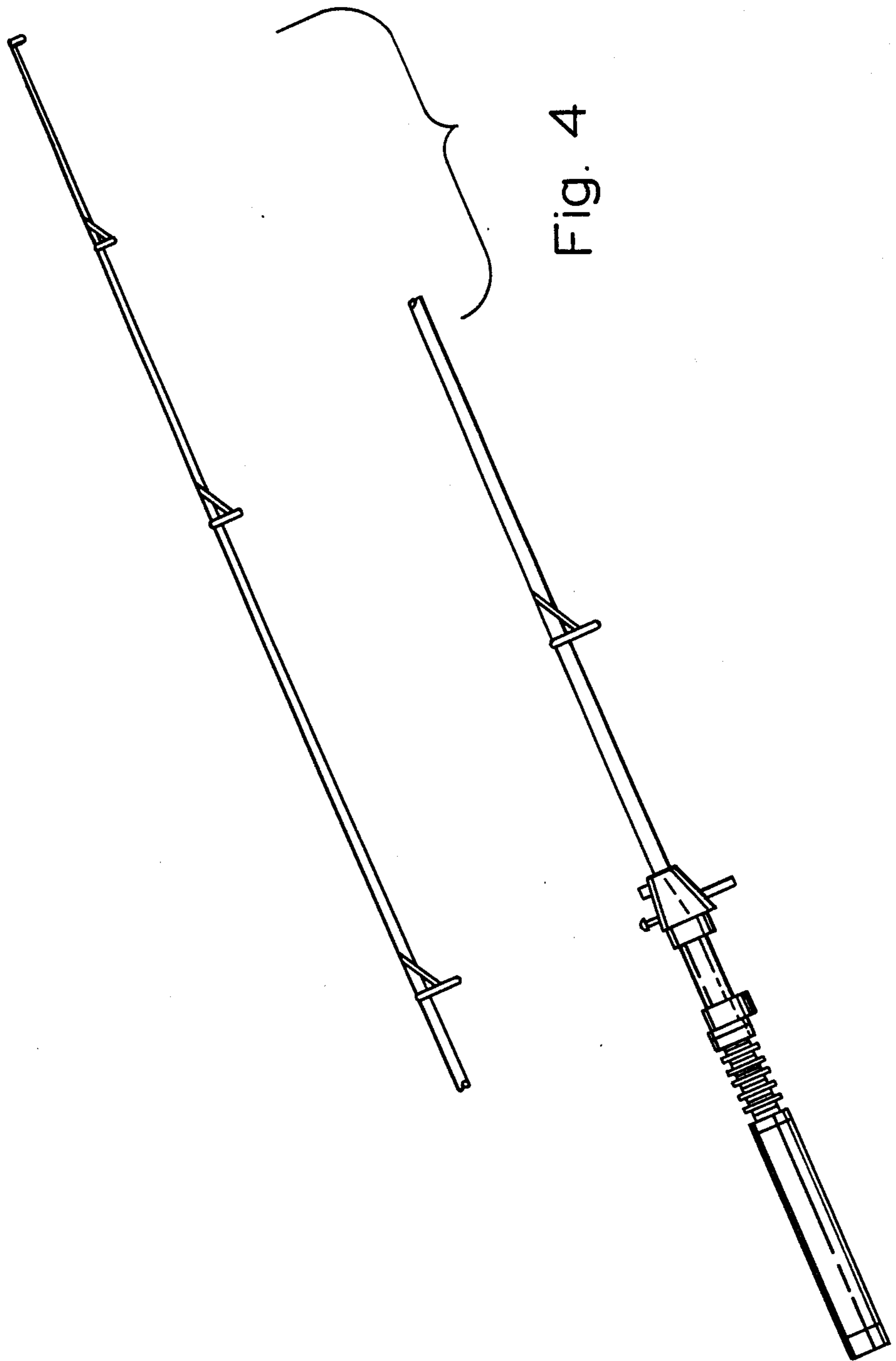


Fig. 4

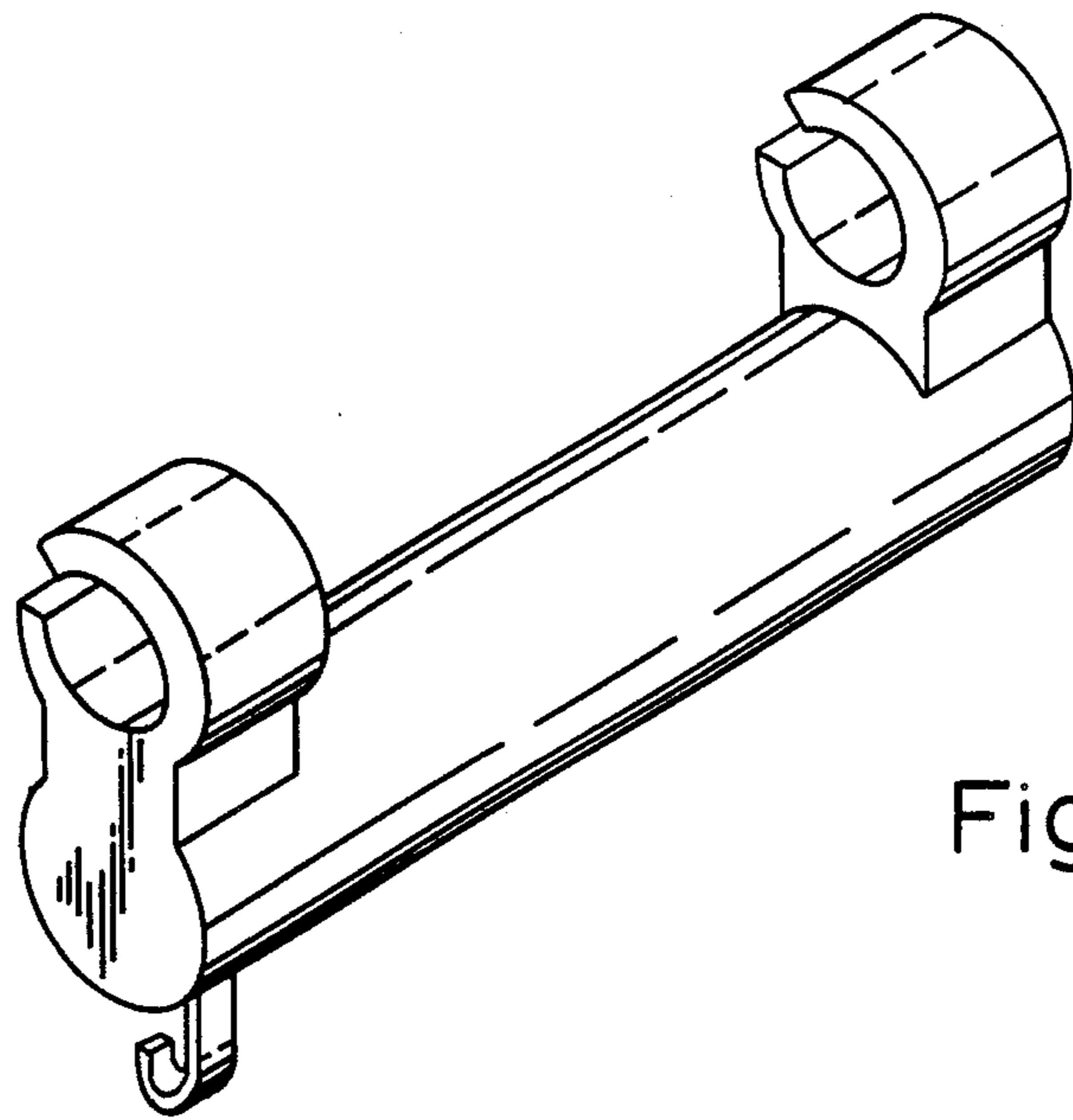


Fig. 5

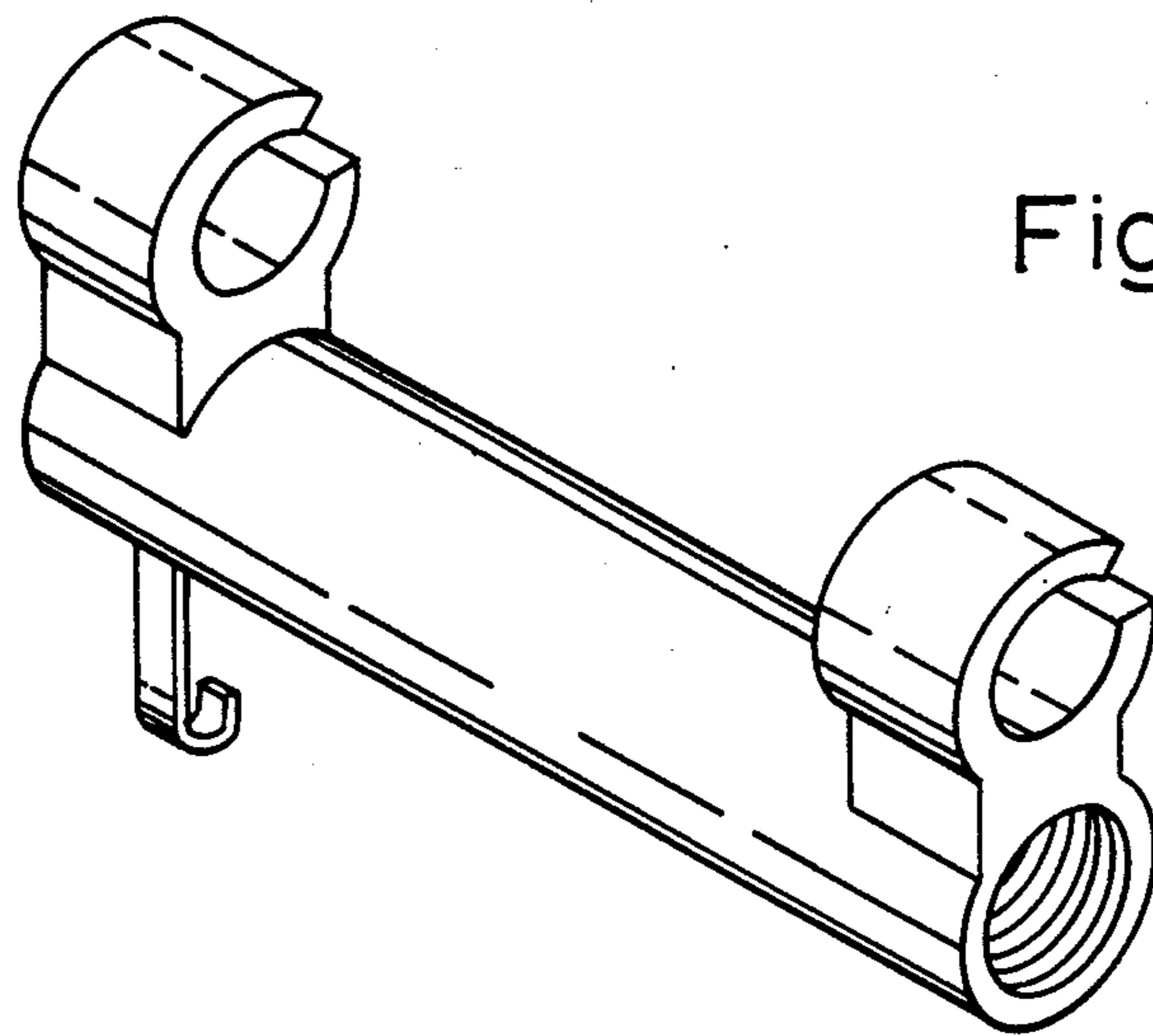


Fig. 6