

[54] **JUMP MARBLE RACE TOY**  
[75] **Inventor: Daniel B. Klitsner, San Francisco, Calif.**  
[73] **Assignee: Discovery Toys, Inc., Martinez, Calif.**  
[\*\*] **Term: 14 Years**  
[21] **Appl. No.: 214,697**  
[22] **Filed: Jul. 1, 1988**  
[52] **U.S. Cl. .... D21/143; D21/59**  
[58] **Field of Search ..... D21/7, 8, 59, 143; 273/153 R, 156; 446/168**

4,713,038 12/1987 Wichman et al. .... 446/168

**OTHER PUBLICATIONS**

Berotoys catalog (two pages).  
*Primary Examiner*—Charles A. Rademaker  
*Assistant Examiner*—Alicia A. Farrell  
*Attorney, Agent, or Firm*—Townsend and Townsend

[57] **CLAIM**

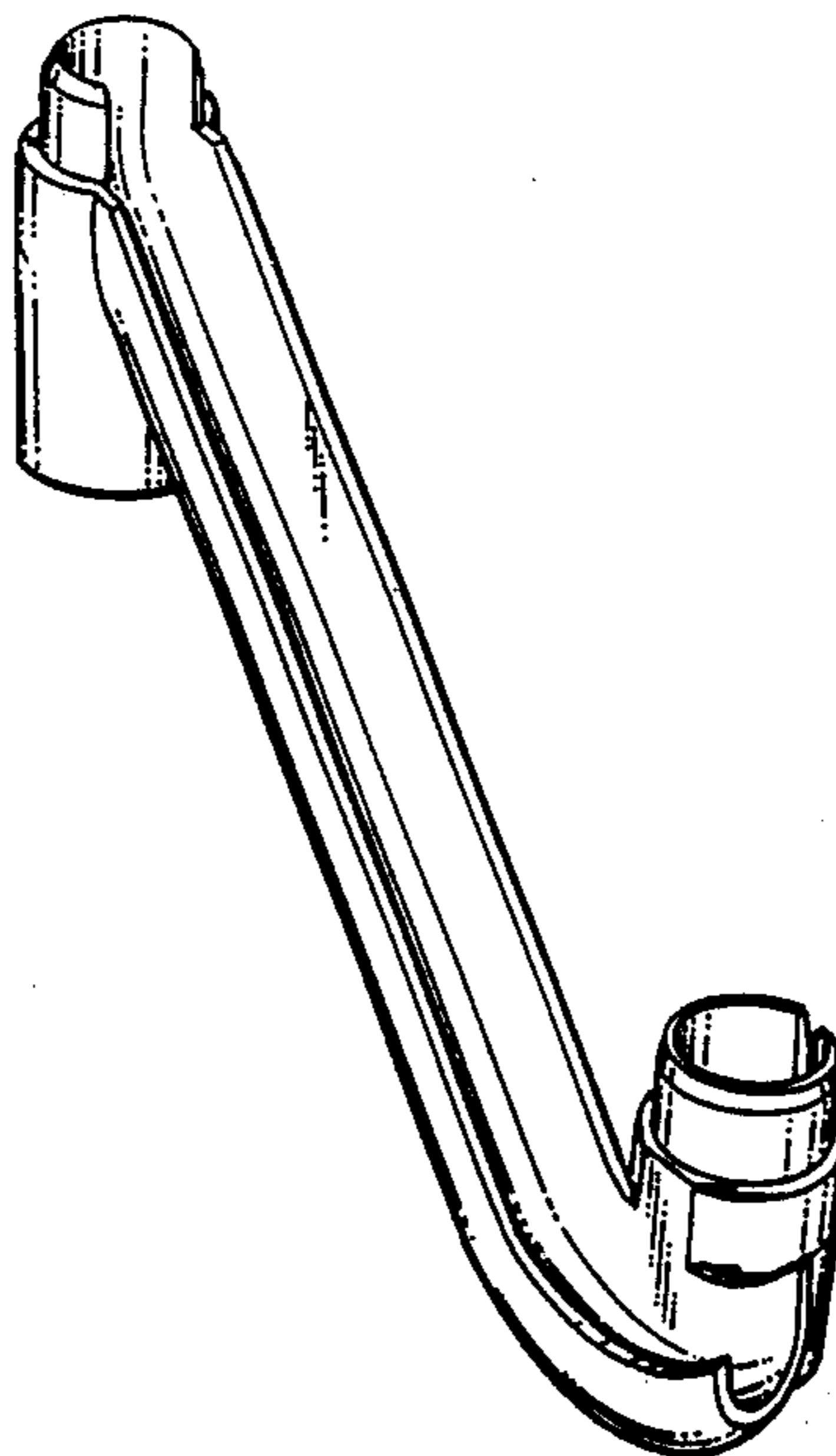
The ornamental design for a jump marble race toy, as shown and described.

**DESCRIPTION**

FIG. 1 is a perspective view of a jump marble race toy showing my new design;  
FIG. 2 is a top plan view thereof;  
FIG. 3 is a front elevational view thereof;  
FIG. 4 is a right side elevational view thereof;  
FIG. 5 is a left side elevational view thereof;  
FIG. 6 is a rear elevational view thereof; and  
FIG. 7 is a bottom plan view thereof.

[56] **References Cited**  
**U.S. PATENT DOCUMENTS**

|            |        |          |       |         |
|------------|--------|----------|-------|---------|
| D. 230,291 | 2/1974 | Karen    | ..... | D21/59  |
| D. 290,143 | 6/1987 | Wichman  | ..... | D21/59  |
| 2,000,808  | 5/1935 | Williams | ..... | 446/168 |
| 3,502,332  | 3/1970 | Wolf     | ..... | 446/168 |
| 3,883,137  | 5/1975 | Bengtson | ..... | 446/168 |



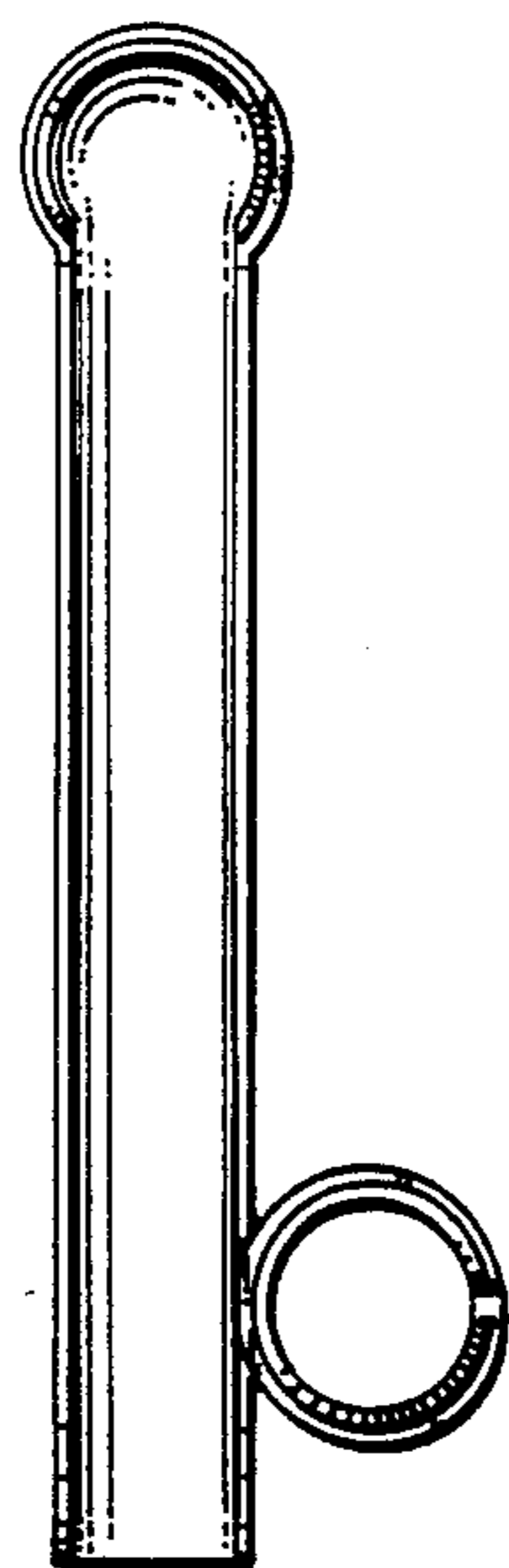


FIG. 2.

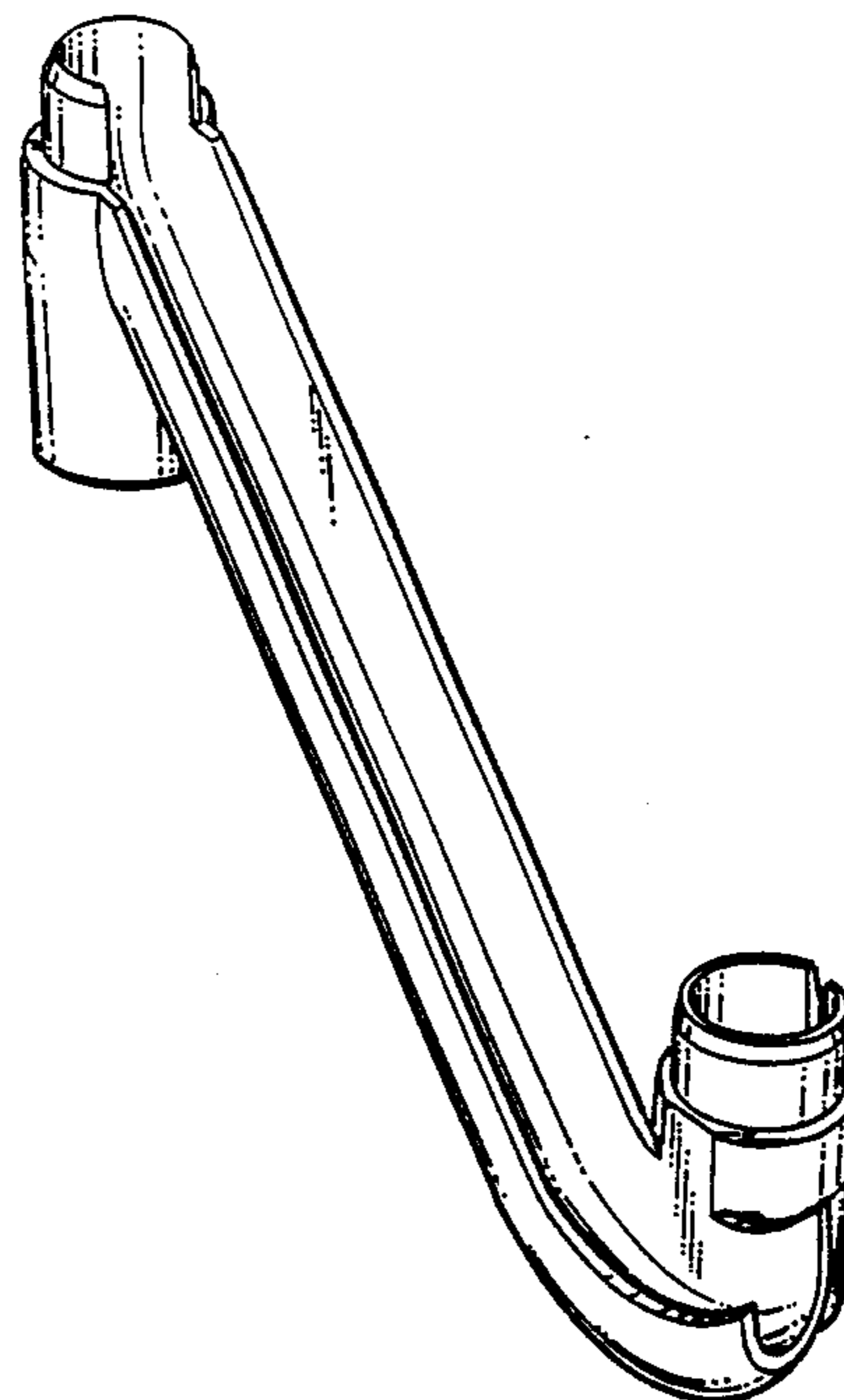


FIG. 1.

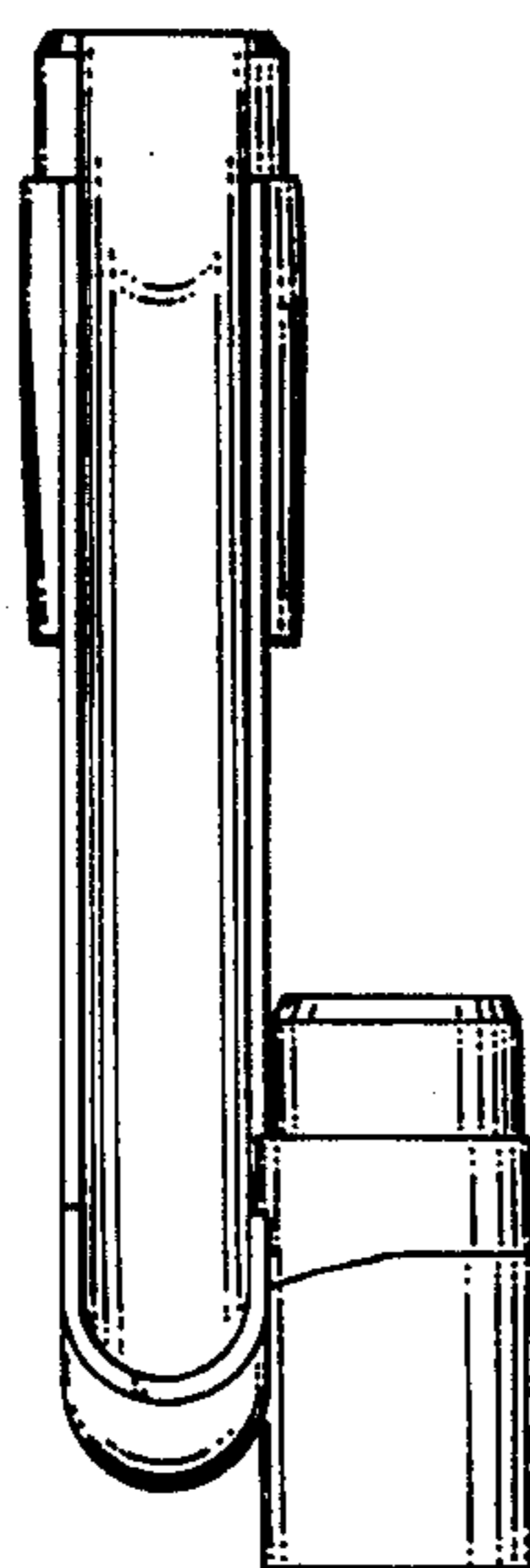


FIG. 3.

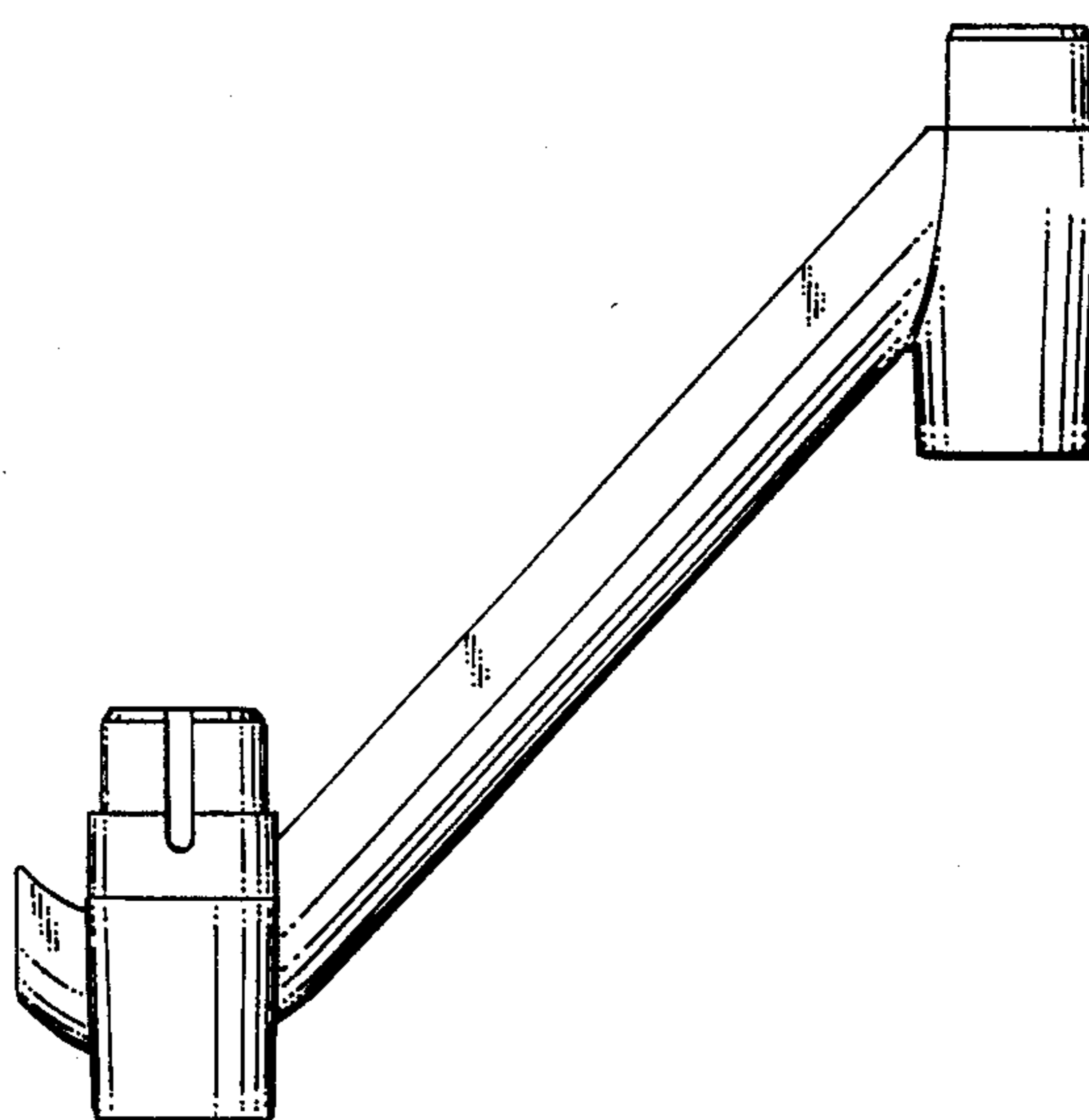


FIG. 4.

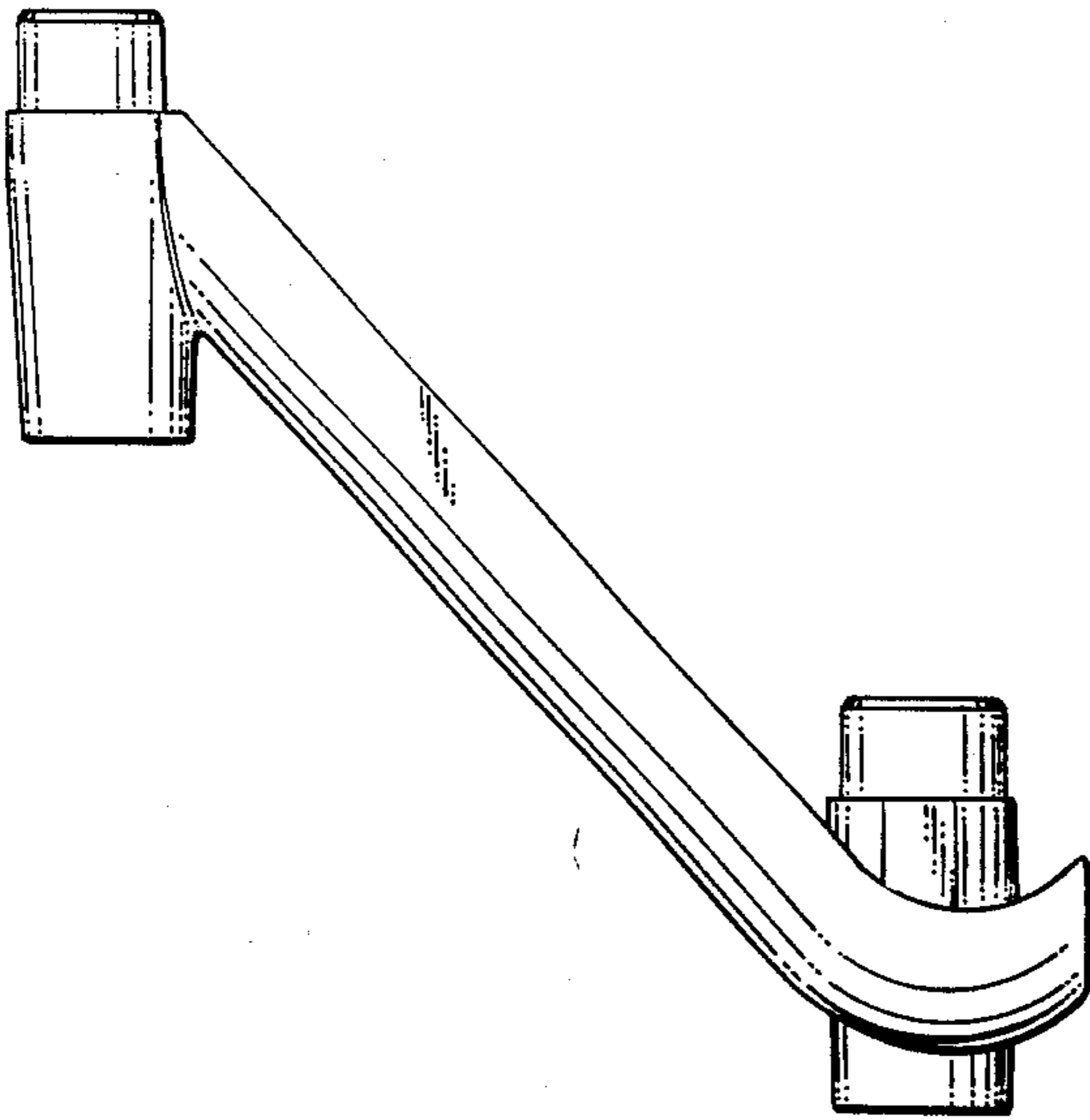


FIG.\_5.

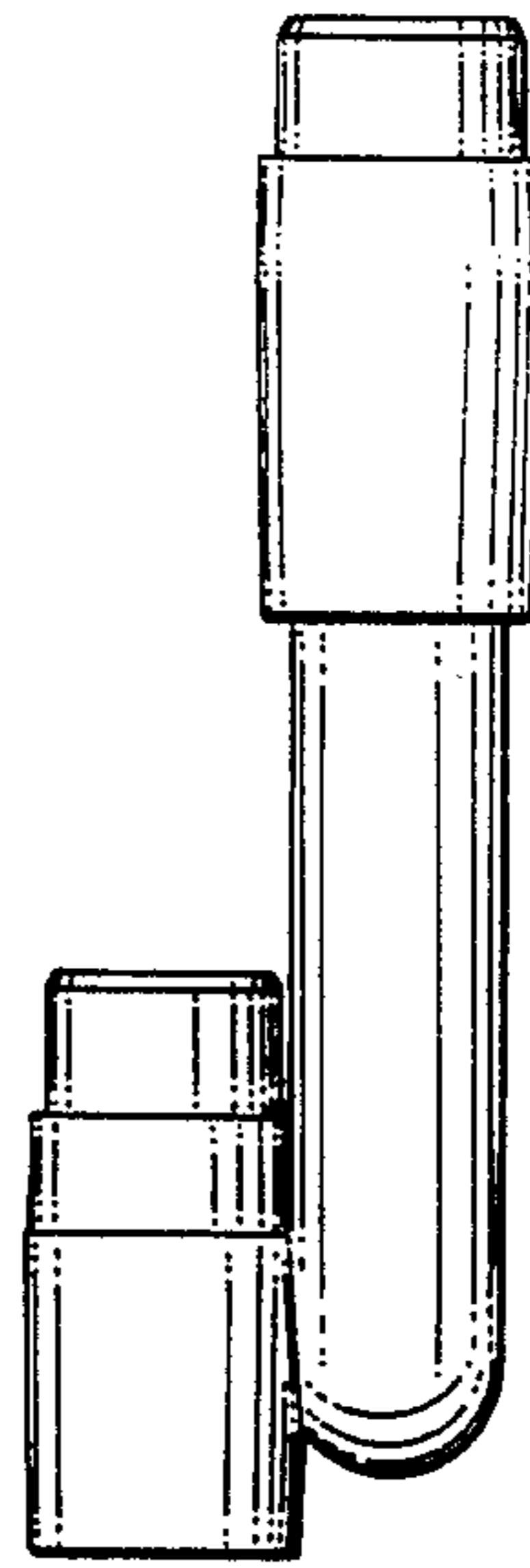


FIG.\_6.

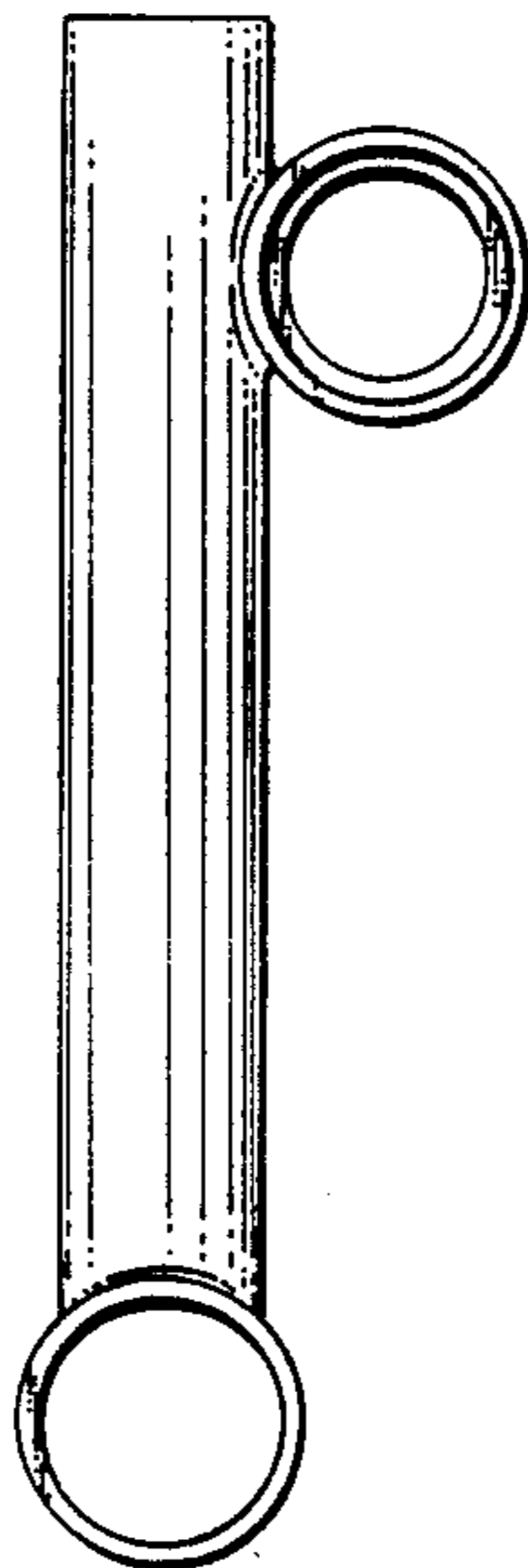


FIG.\_7.