

[54] **TOY BUILDING LIFT ELEMENT**
[75] **Inventor: Jens N. Knudsen, Billund, Denmark**
[73] **Assignee: Interlego A.G., Switzerland**
[**] **Term: 14 Years**
[21] **Appl. No.: 54,367**
[22] **Filed: May 26, 1987**

[30] **Foreign Application Priority Data**
Nov. 26, 1986 [DE] Fed. Rep. of Germany URA
1526/86

[52] **U.S. Cl. D21/108**
[58] **Field of Search D21/59, 108, 109, 114,**
D21/115, 141; 446/85, 103, 104, 117, 121, 124,
125

[56] **References Cited**
U.S. PATENT DOCUMENTS
D. 174,950 6/1955 Frishberg D21/108
D. 278,356 4/1985 Goldfarb et al. D21/141
3,162,973 12/1964 Christiansen D21/108

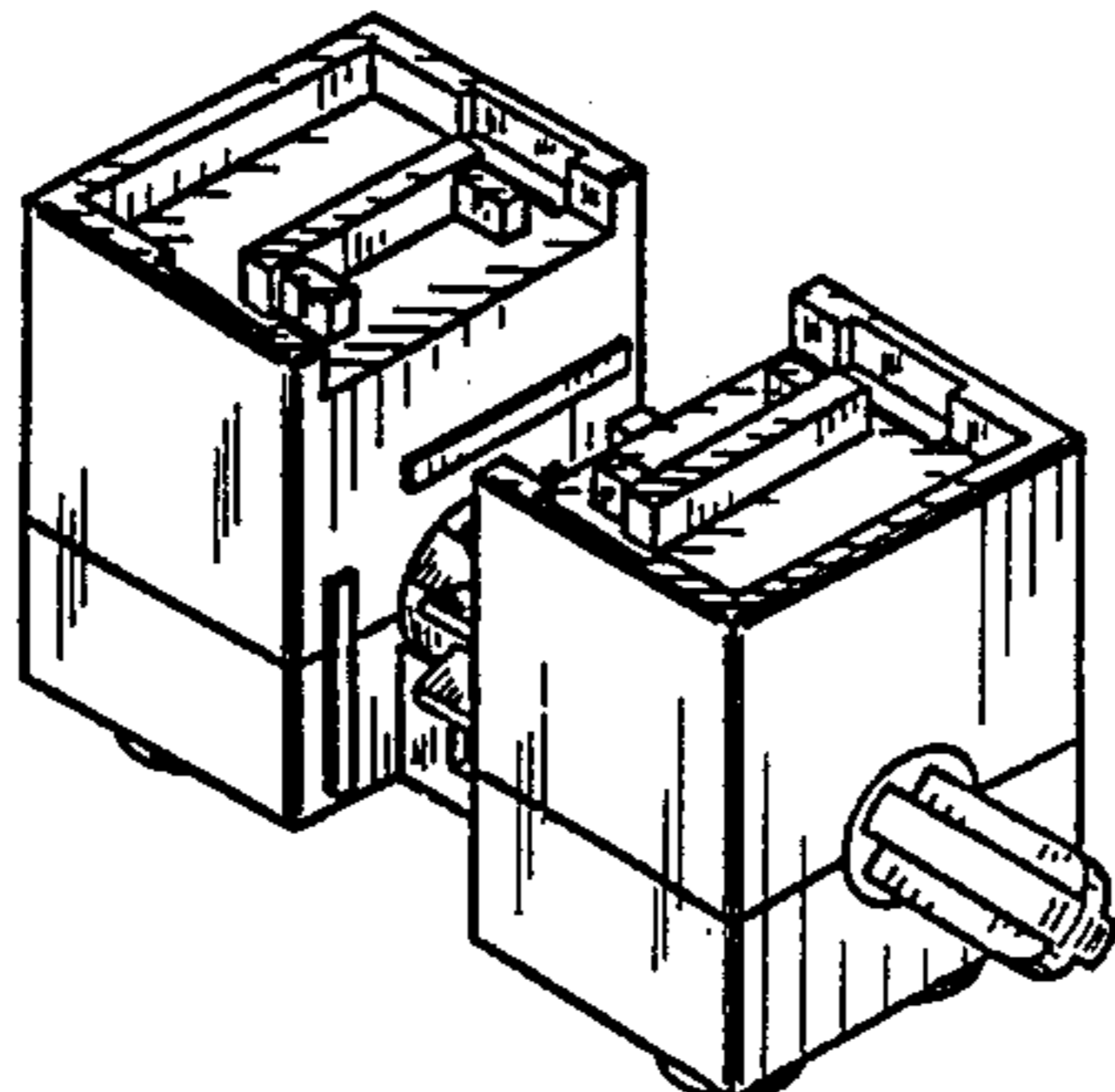
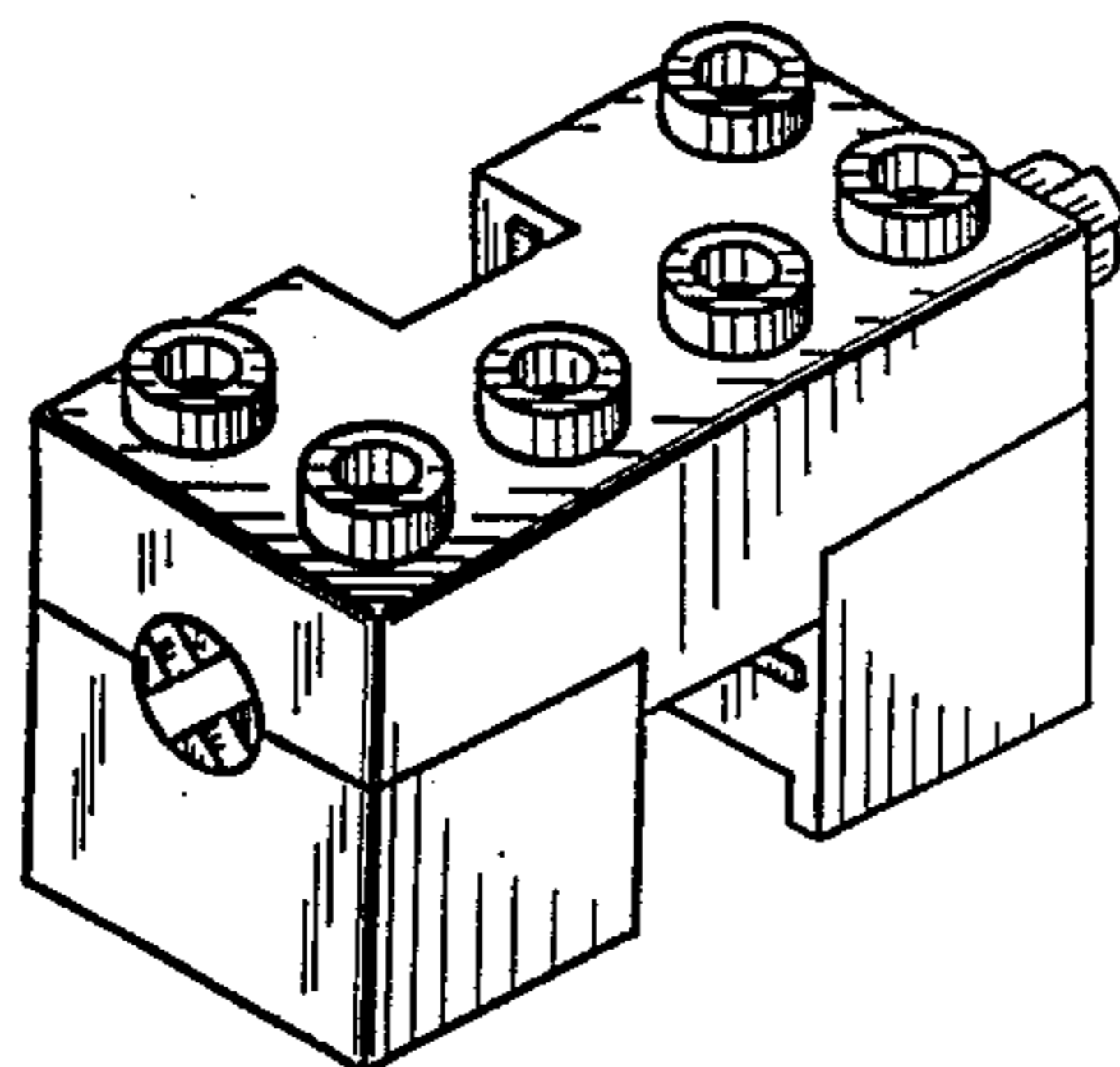
4,458,441 7/1984 Beil 446/103
FOREIGN PATENT DOCUMENTS
0192790 9/1986 European Pat. Off. 446/124
2088731 6/1982 United Kingdom 446/124

Primary Examiner—B. J. Bullock
Assistant Examiner—Alicia A. Farrell
Attorney, Agent, or Firm—Kane, Dalsimer, Sullivan,
Kurucz, Levy, Eisele, and Richard

[57] **CLAIM**
The ornamental design for a toy building lift element, as
shown and described.

DESCRIPTION

FIG. 1 is a top perspective view of a toy building lift
element showing my new design;
FIG. 2 is a bottom perspective view thereof;
FIG. 3 is a right side elevational view thereof;
FIG. 4 is a bottom plan view thereof;
FIG. 5 is a front elevational view thereof;
FIG. 6 is a rear elevational view thereof;
FIG. 7 is a left side elevational view thereof; and,
FIG. 8 is a top plan view thereof.



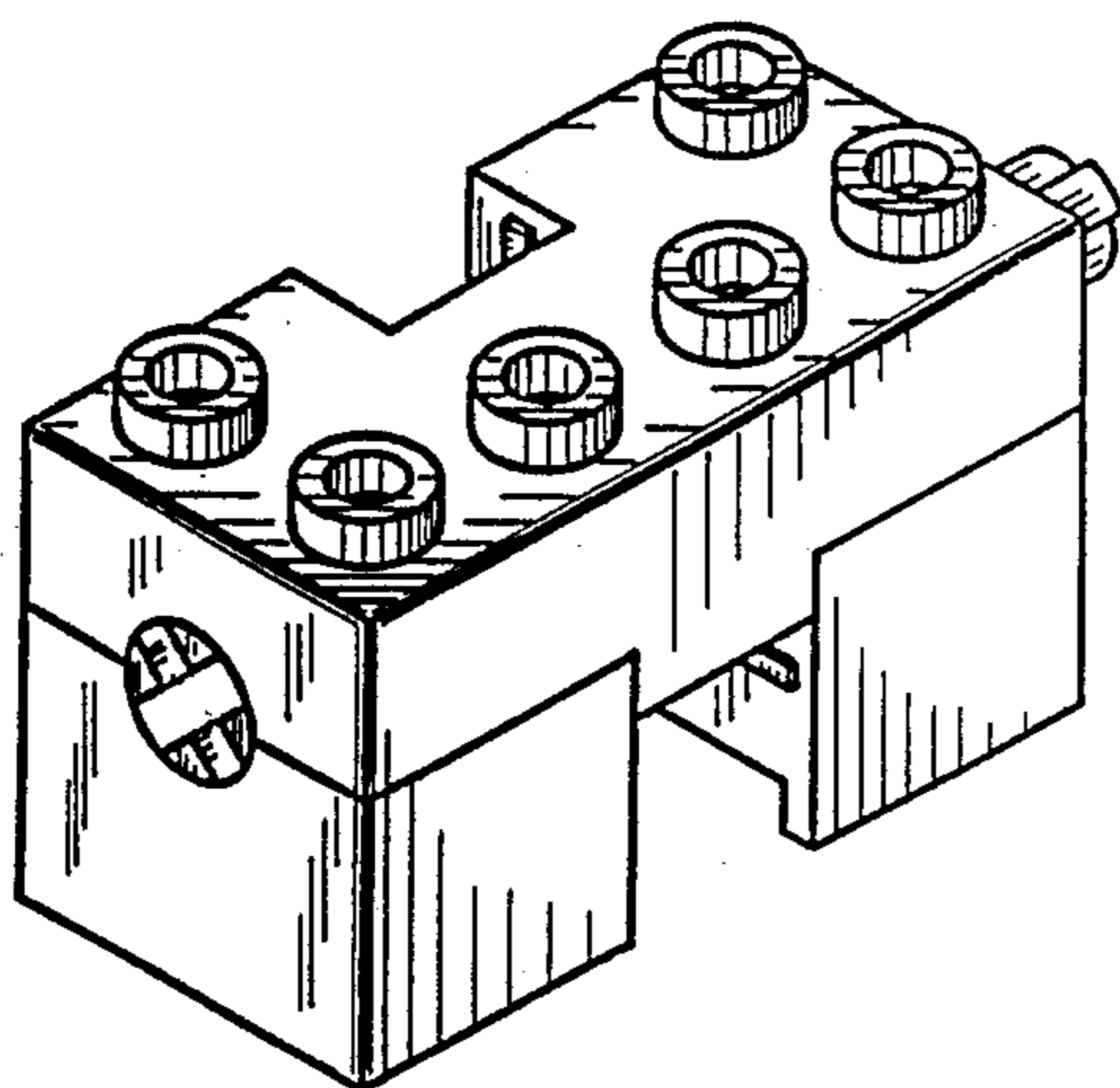


FIG. 1

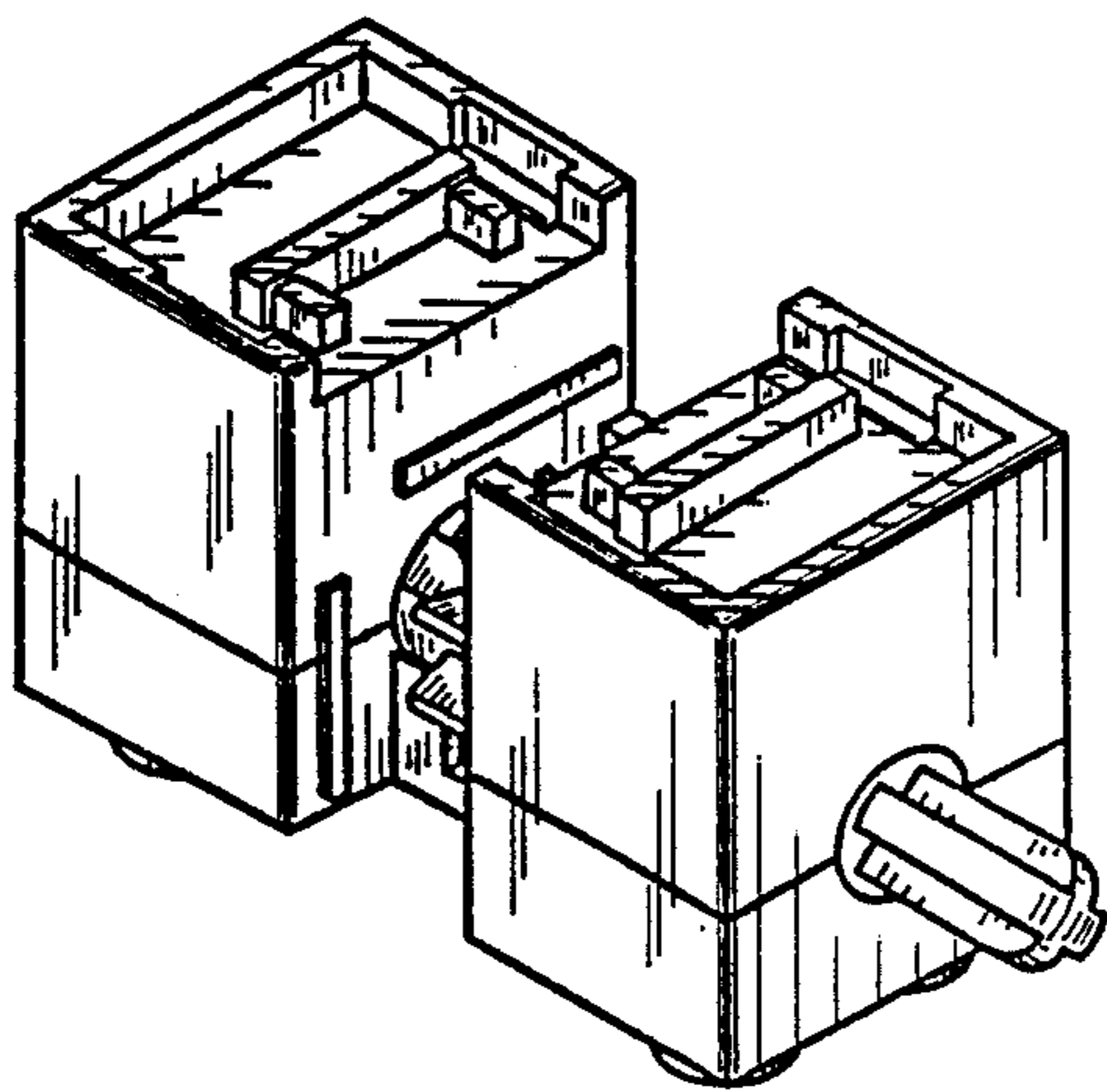


FIG. 2

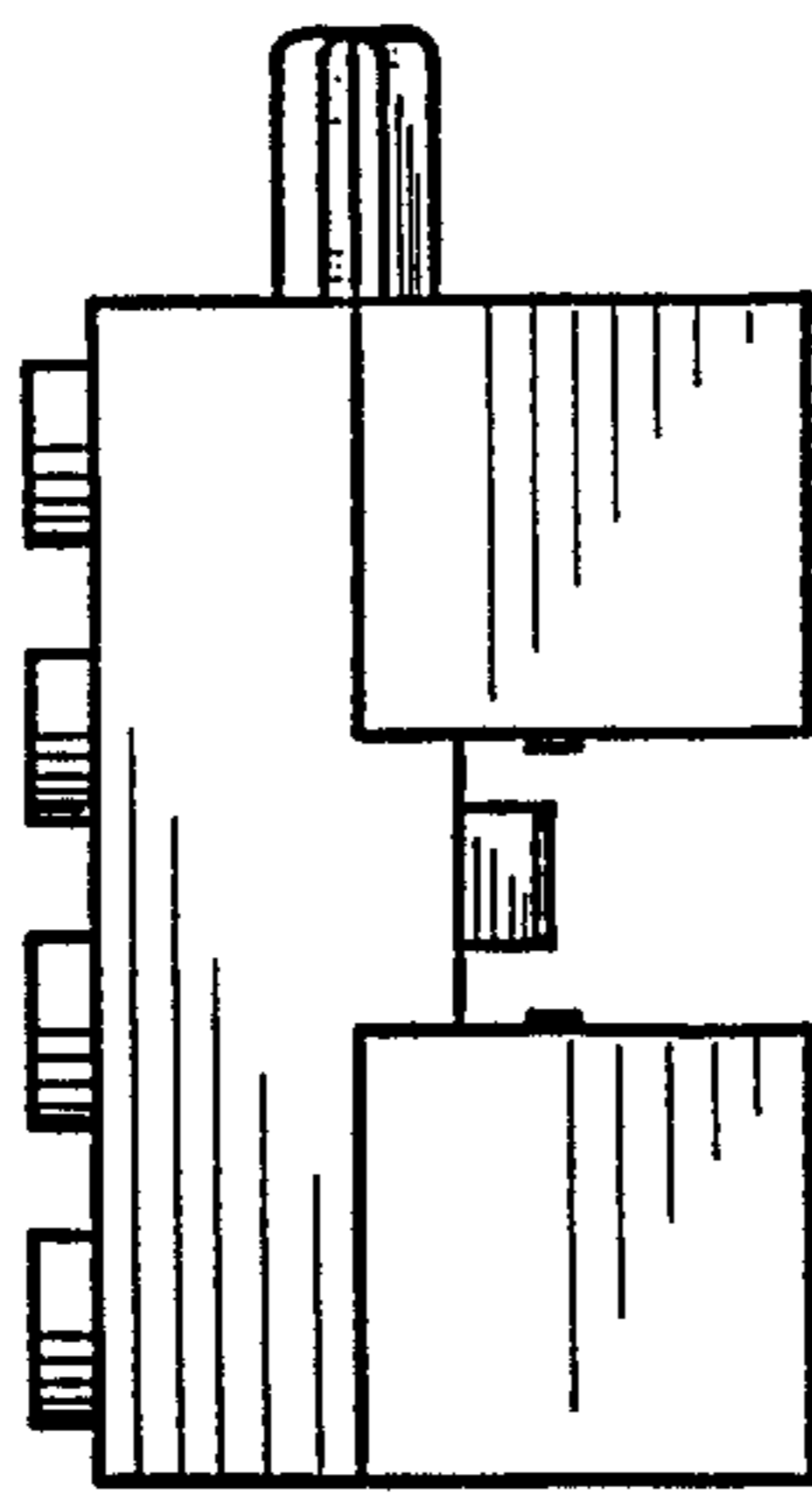


FIG. 3

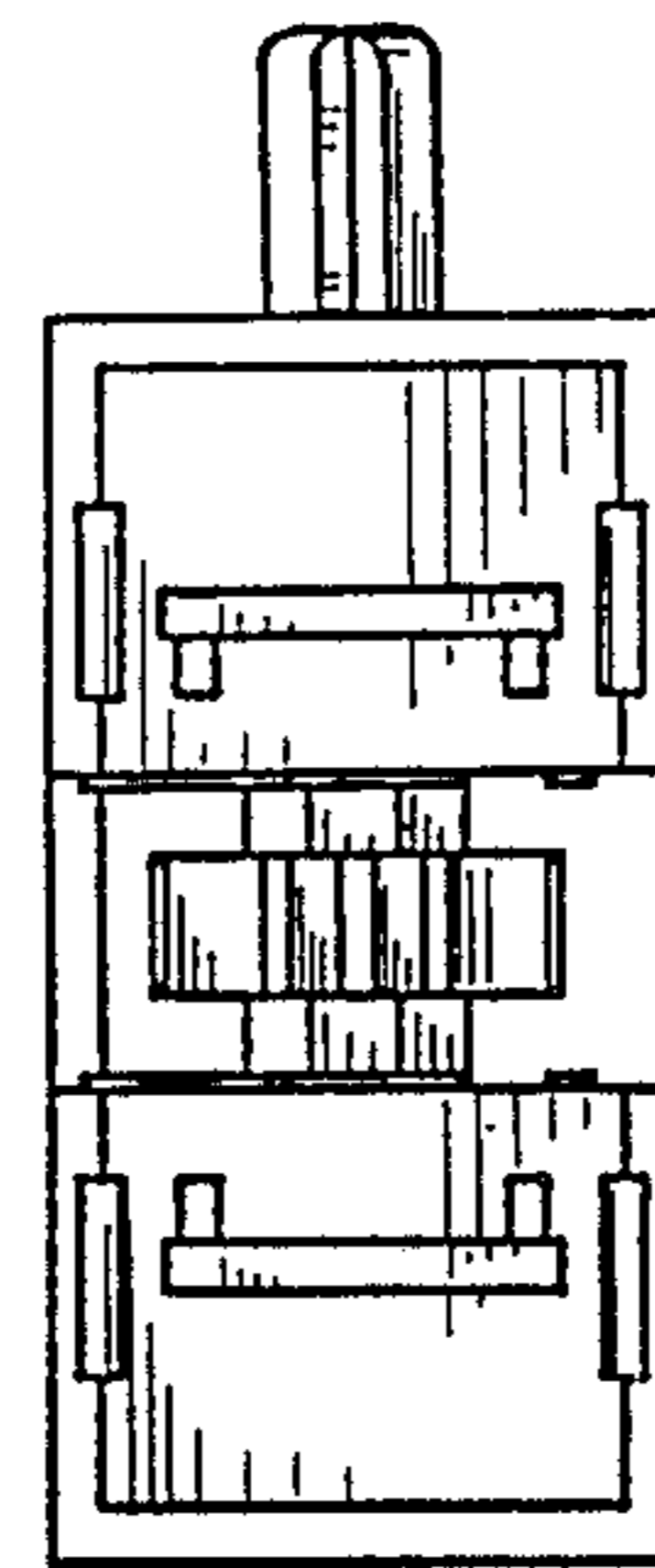


FIG. 4

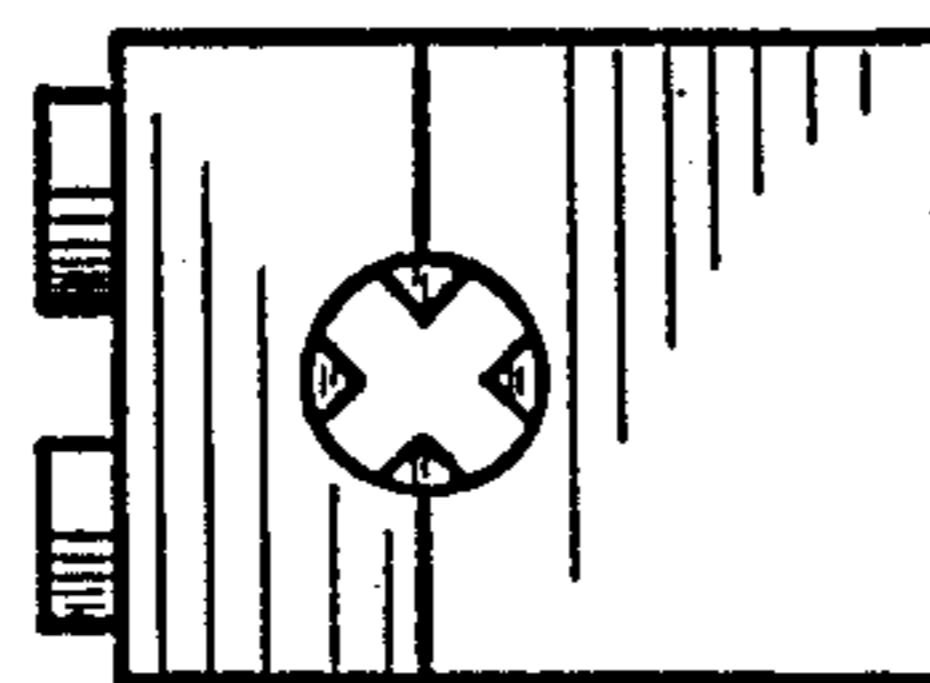


FIG. 5

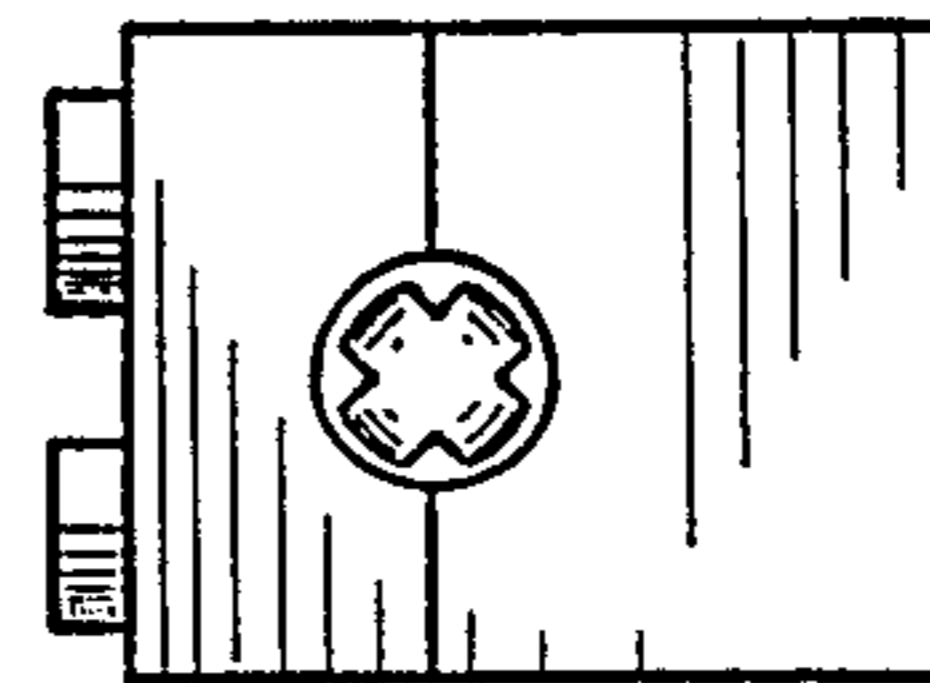


FIG. 6

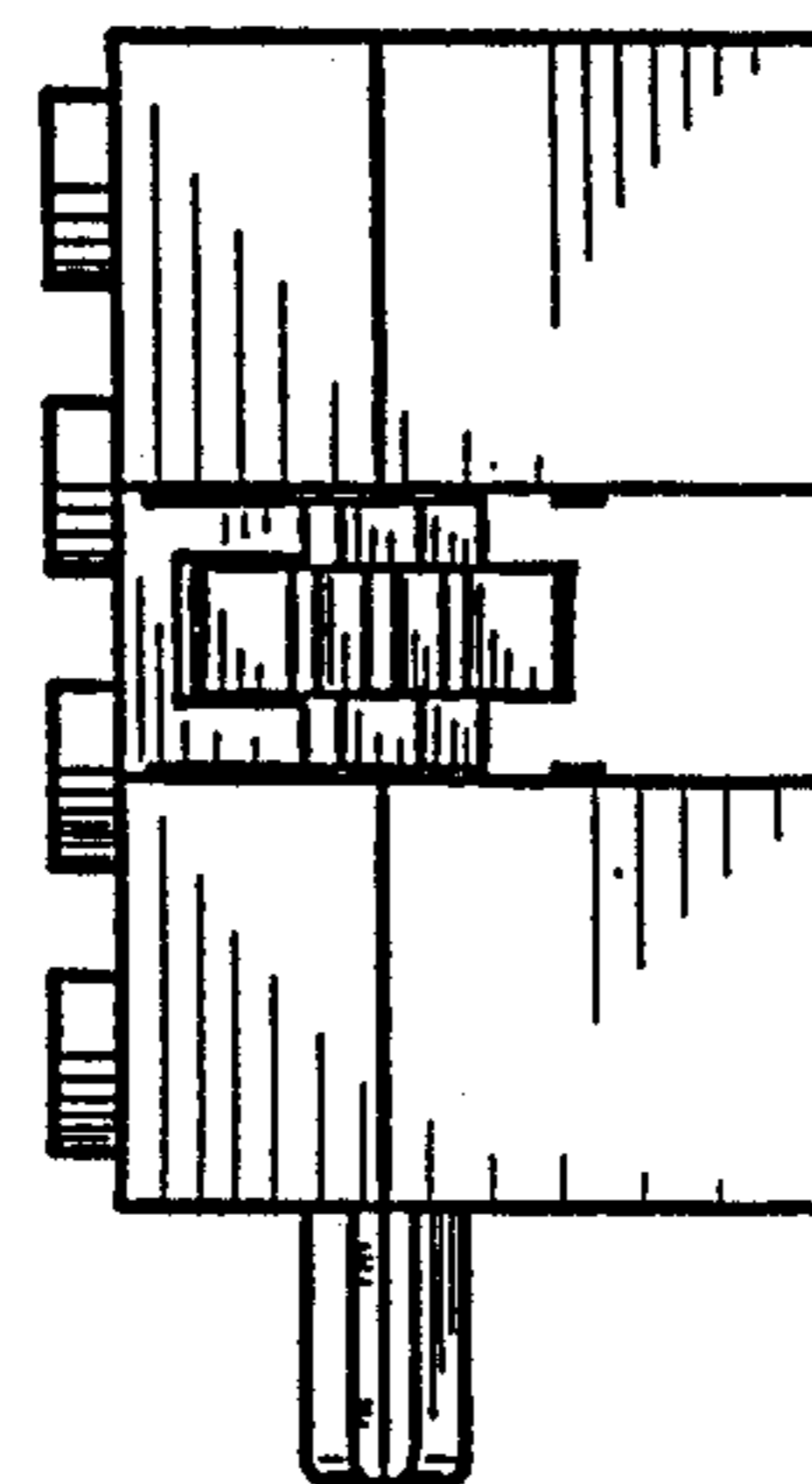


FIG. 7

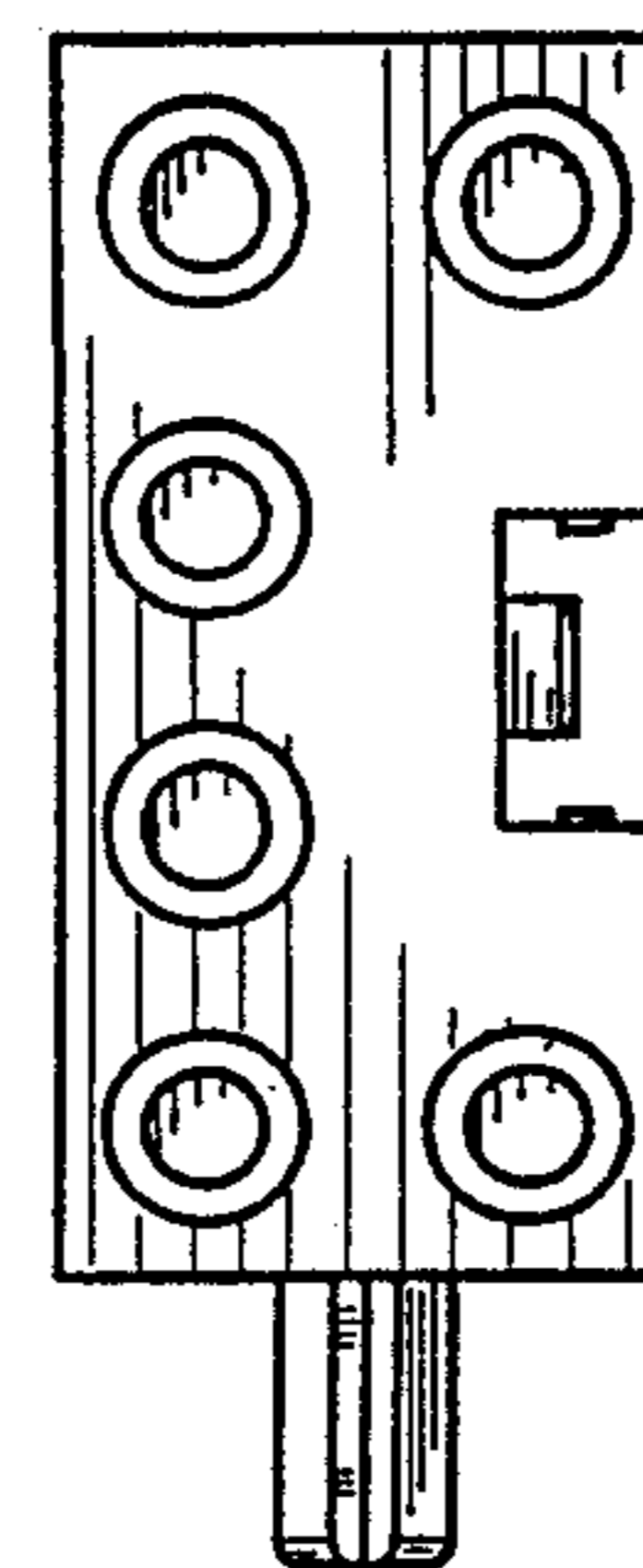


FIG. 8