

[54] **COMBINED TOY BALLOON AND STUFFER**

[76] **Inventor: Craig J. Lovik, 8565 Custer School Rd., Custer, Wash. 98240**

[**] **Term: 14 Years**

[21] **Appl. No.: 124,462**

[22] **Filed: Nov. 23, 1987**

[52] **U.S. Cl. D21/84; D21/159**

[58] **Field of Search D21/159, 84; 446/220, 446/221, 222, 223, 226; 53/434, 258**

[56] **References Cited**

U.S. PATENT DOCUMENTS

D. 263,028	2/1982	Gilford	D21/159
2,449,147	9/1948	Samuels	446/220
4,335,538	6/1982	Greenberg	446/220
4,565,335	1/1986	Rankin	D21/159

OTHER PUBLICATIONS

The Bear Necessities Catalog, 1984, p. 27, #83147, "Rock-A-Bye" Bear.

Primary Examiner—Charles A. Rademaker
Attorney, Agent, or Firm—Cassidy & Vance

[57] **CLAIM**

The ornamental design for a combined toy balloon and stuffer, as shown.

DESCRIPTION

FIG. 1 is a perspective view of a combined toy balloon and stuffer showing our new design; FIG. 2 is a front elevational view thereof; FIG. 3 is a right side elevational view thereof; FIG. 4 is a rear elevational view thereof; FIG. 5 is a top plan view thereof; and, FIG. 6 is a bottom plan view thereof.

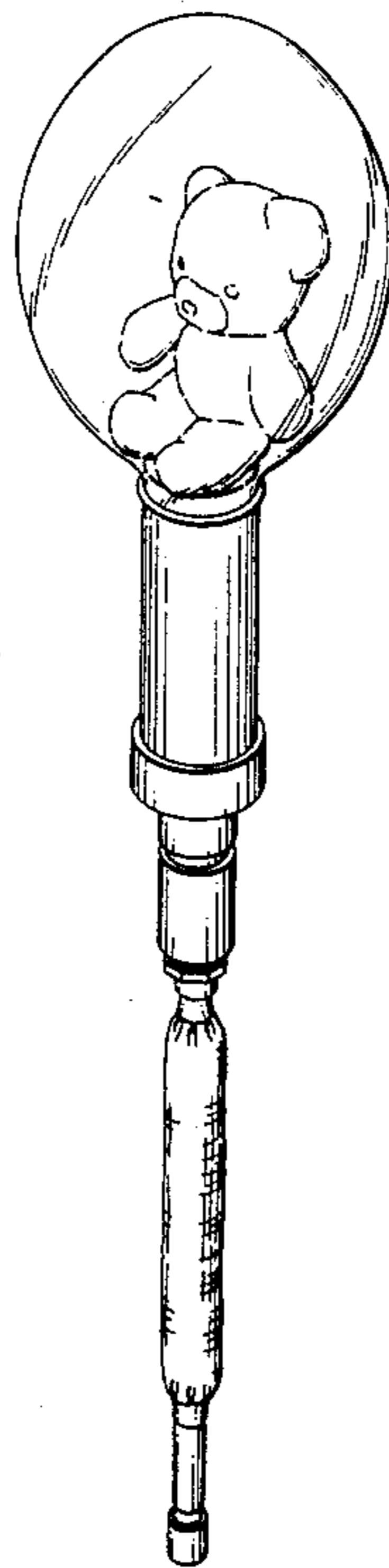


FIG. 1

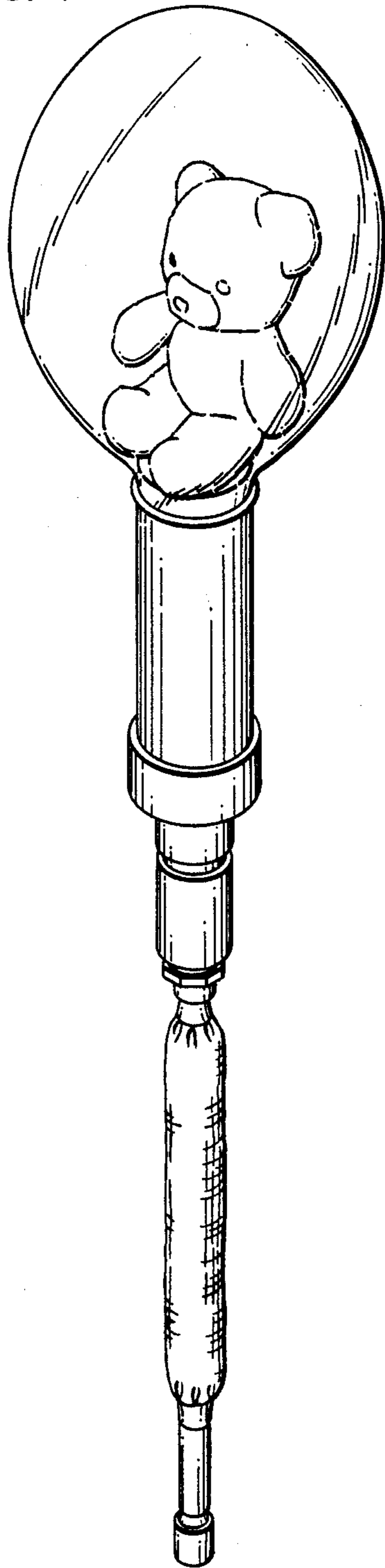


FIG. 2

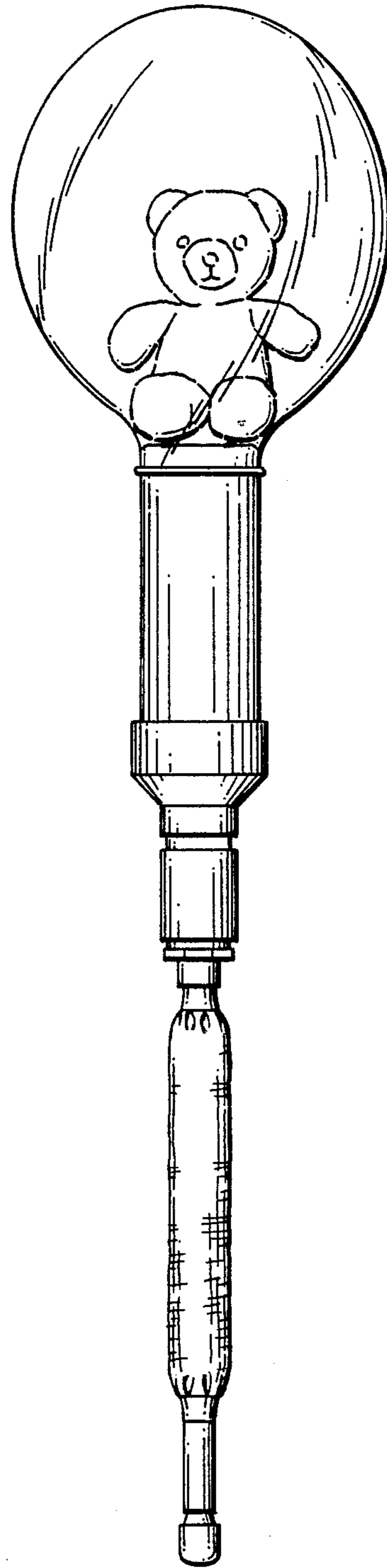


FIG. 3

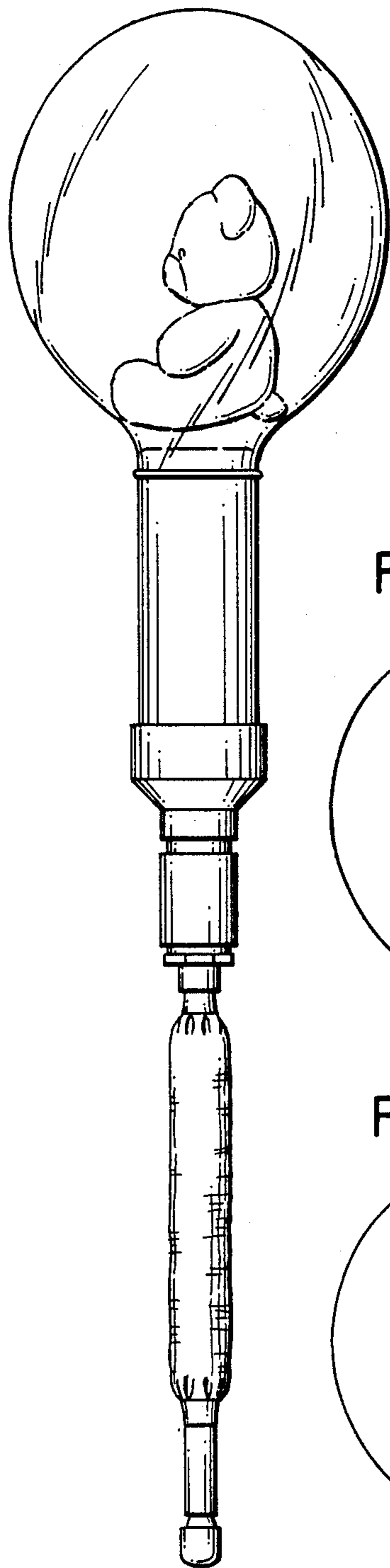


FIG. 4

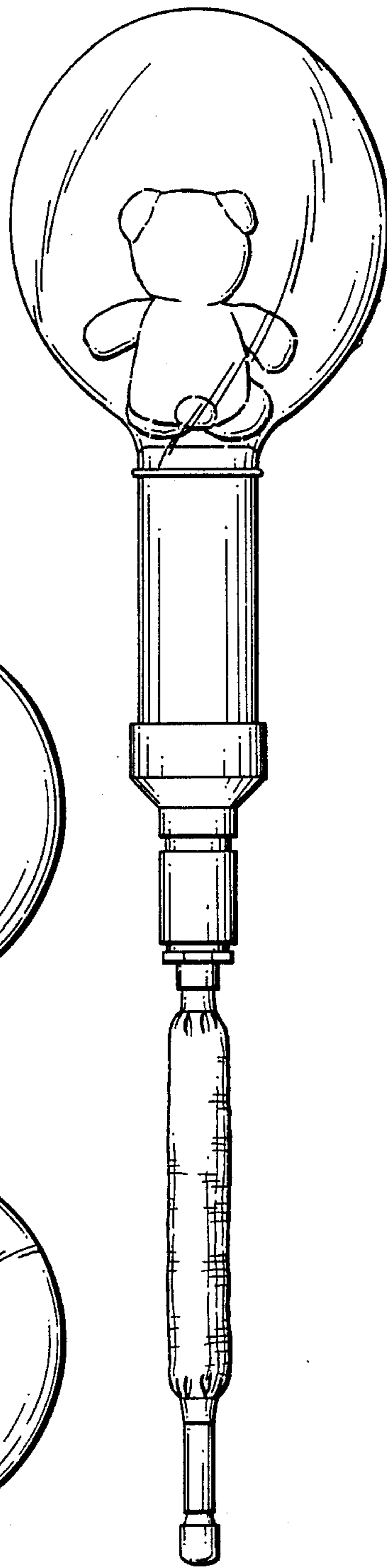


FIG. 5

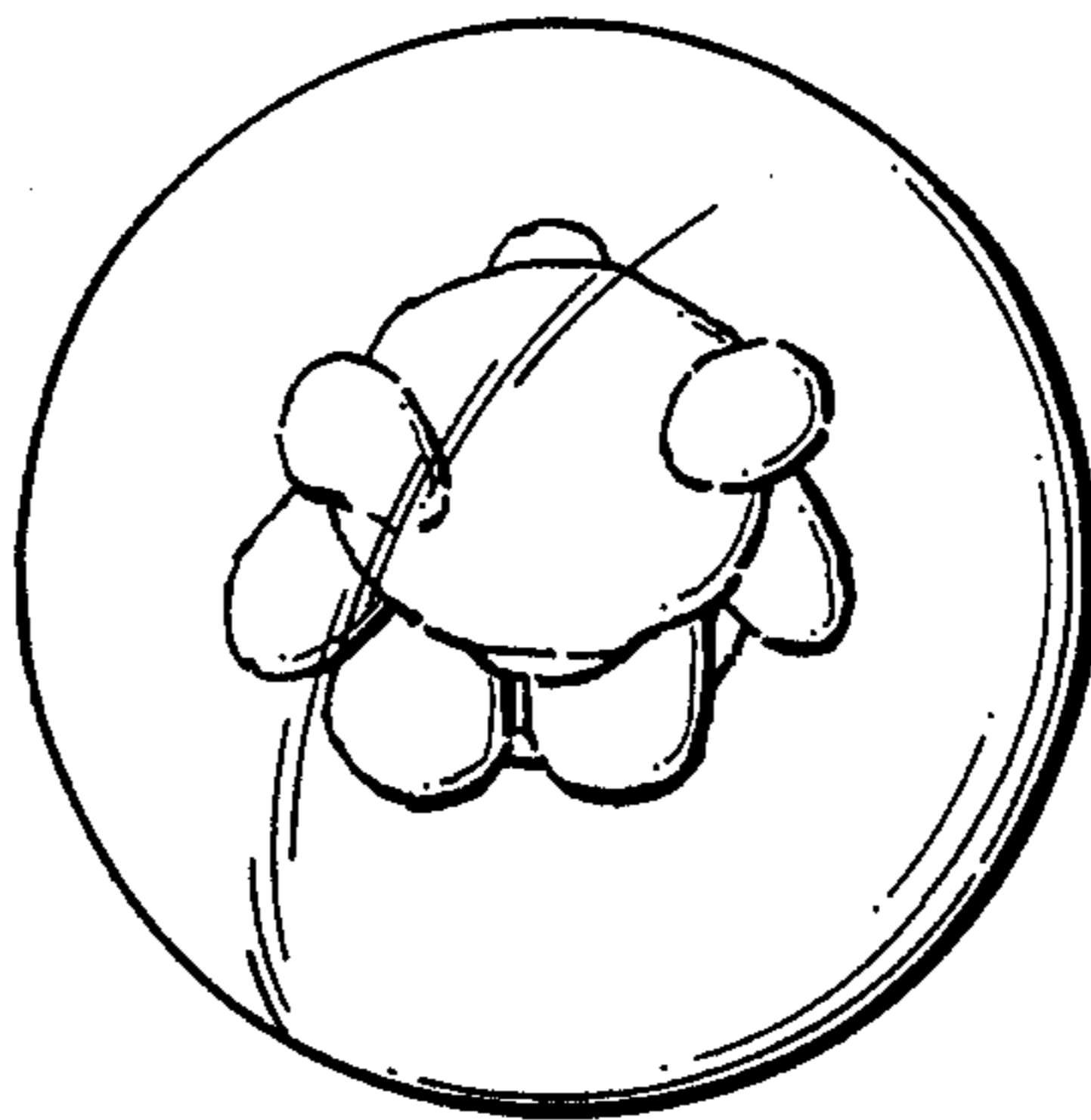


FIG. 6

