

United States Patent [19]

Ukisu

[11] Patent Number: **Des. 305,440**

[45] Date of Patent: **** Jan. 9, 1990**

[54] **SIMULATIVE TOY TOOL**

[75] Inventor: **Hiroshi Ukisu, Matsudo, Japan**

[73] Assignee: **Epoch Company, Ltd., Tokyo, Japan**

[**] Term: **14 Years**

[21] Appl. No.: **131,550**

[22] Filed: **Dec. 11, 1987**

[52] U.S. Cl. **D21/59; D21/120**

[58] Field of Search **D21/59, 109, 120; D3/20, 21; D9/307, 332, 333, 414, 420; 446/71, 73, 75, 80, 475, 483, 489, 491, 86, 199; 434/159, 160, 403; 273/157 R; D8/14, 19, 105, 107; D28/59**

[56] **References Cited**

U.S. PATENT DOCUMENTS

17,982 12/1887 Gardner D9/333

D. 54,941 3/1920 Hollingsworth D28/59
D. 114,008 3/1939 Blunt D9/333
D. 280,284 8/1985 Bachmann D8/107

Primary Examiner—Charles A. Rademaker
Attorney, Agent, or Firm—Staas & Halsey

[57] **CLAIM**

The ornamental design for a simulative toy tool, as shown and described.

DESCRIPTION

FIG. 1 is a front elevational view of a simulative toy tool showing my new design, the side opposite being substantially a mirror image;

FIG. 2 is a right side elevational view thereof;

FIG. 3 is a top plan view thereof;

FIG. 4 is a bottom plan view thereof; and

FIG. 5 is a perspective view thereof with the top cover opened.

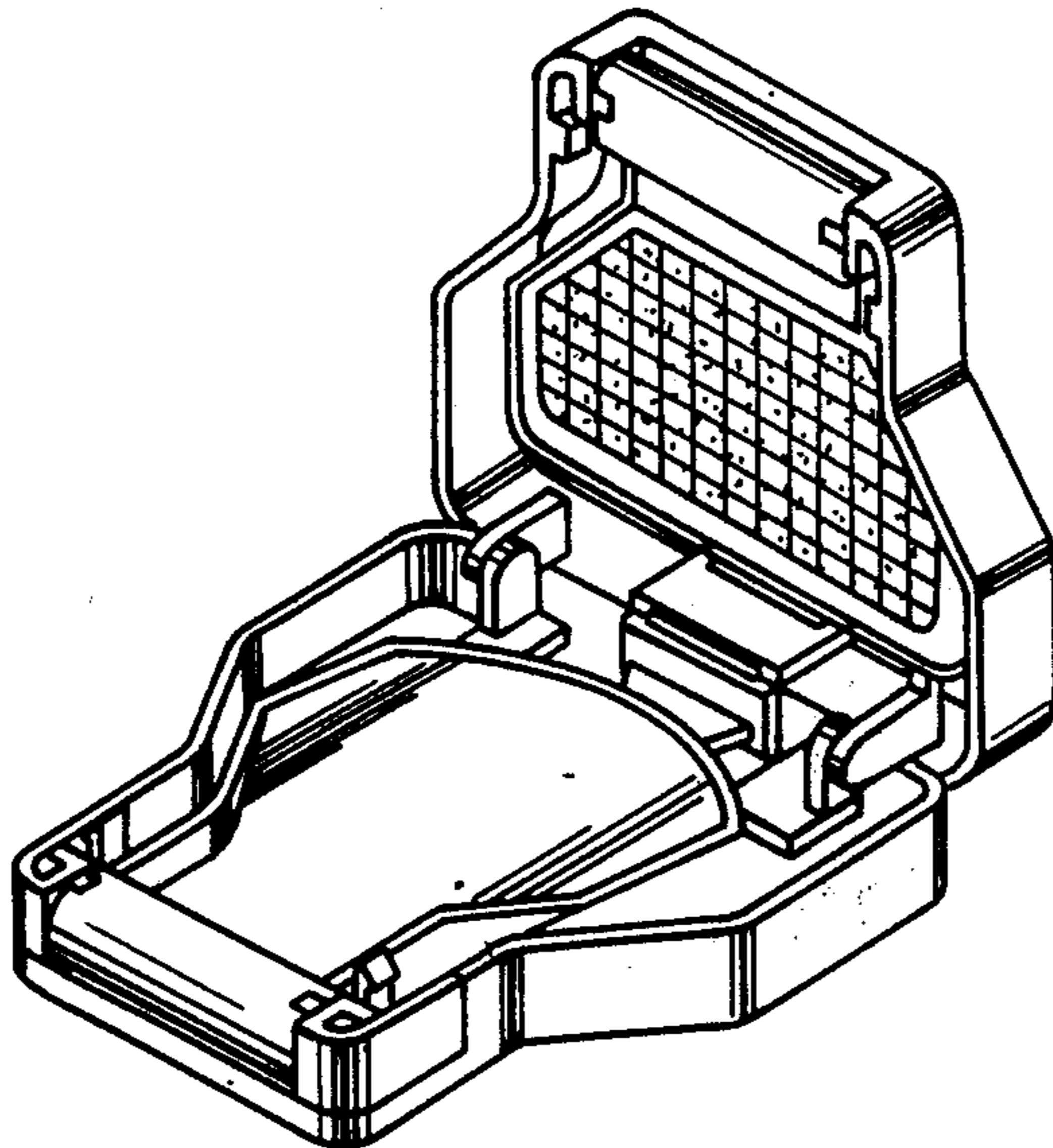


FIG. 1.

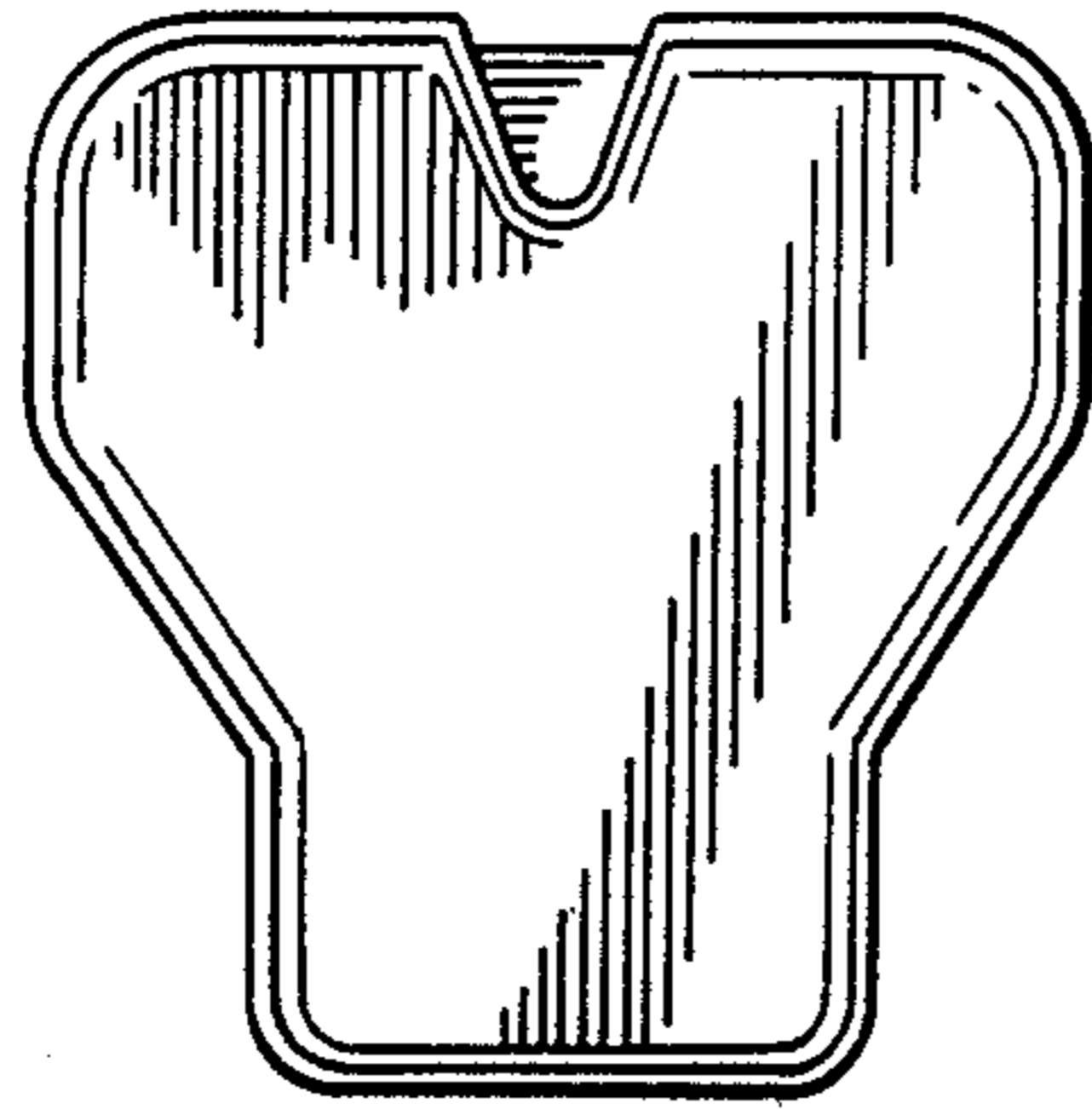


FIG. 2.

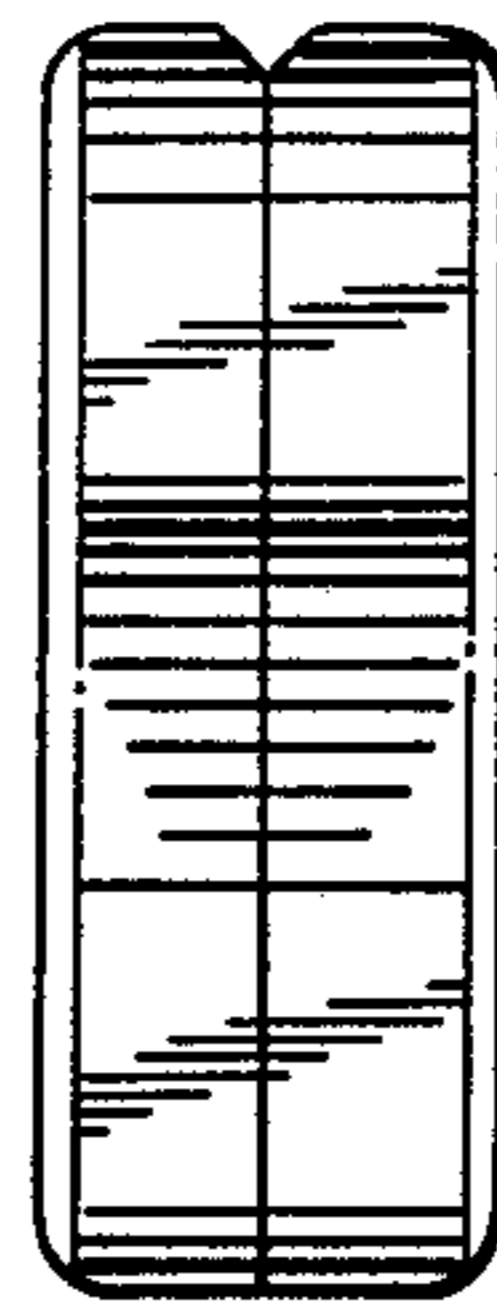


FIG. 3.

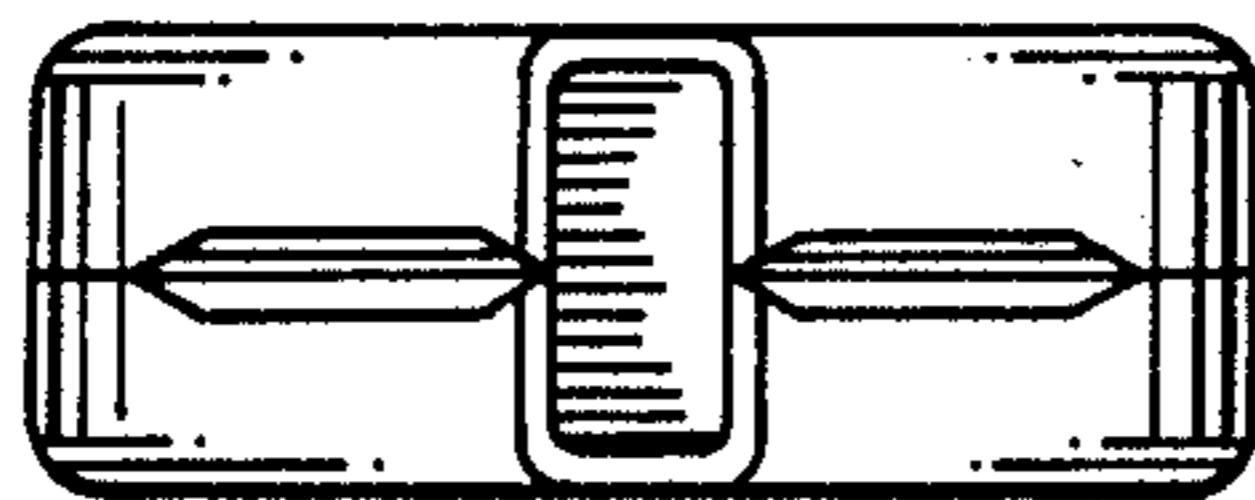


FIG. 4.

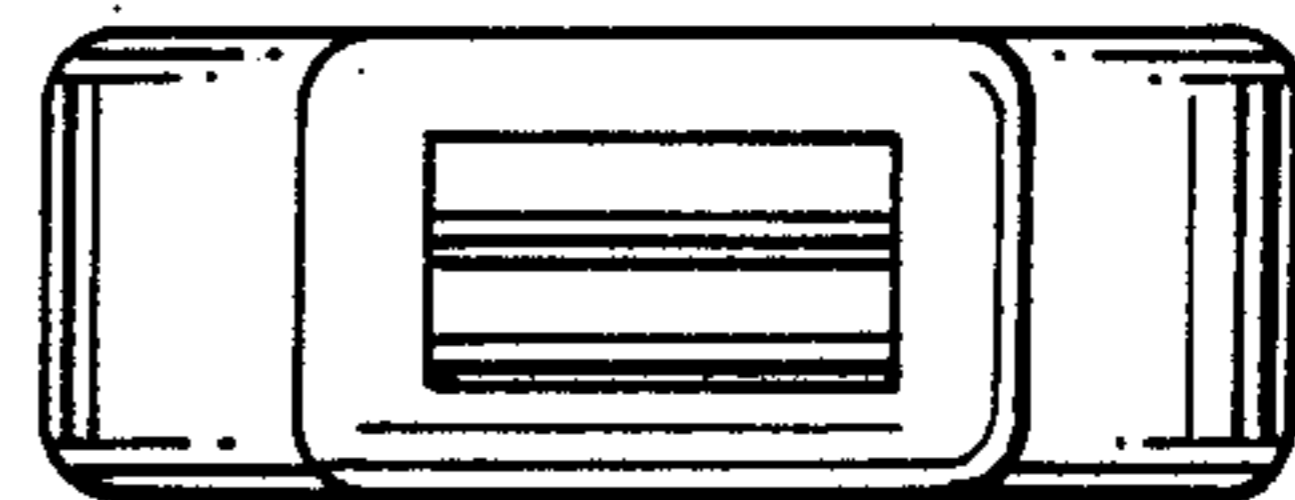


FIG. 5.

