

[54] COMBINATION DRAWING PEN AND ENCLOSURE FOR A COMPUTER MOUSE FOR GENERATING FREE HAND COMPUTER GRAPHICS

4,680,864 7/1987 Heagerty ..... 33/32.2 X  
4,748,441 5/1988 Brzezinski ..... 273/148 B X

FOREIGN PATENT DOCUMENTS

2574588 6/1986 France ..... 273/148 B

[76] Inventor: Leonard E. Pressley, Sr., 6801-19 Space 269, Lubbock, Tex. 79407

OTHER PUBLICATIONS

Videogaming Illustrated, Feb. 1984 p. 20-Joystick.

[\*\*] Term: 14 Years

Primary Examiner—Susan J. Lucas

[21] Appl. No.: 96,325

Assistant Examiner—Freda S. Nunn

[22] Filed: Sep. 14, 1987

Attorney, Agent, or Firm—Jerry T. Kearns

[52] U.S. Cl. .... D14/114

[57] CLAIM

[58] Field of Search ..... D14/100, 106, 107, 114, D14/116; D13/32, 38; D21/48, 153, 188, 189; 74/471 XY; 178/18, 19; 200/5 A, 5 R, 6 A, 6 R; 340/706, 709, 710, 711; 341/22, 23; 273/148 B; 33/18, 32.2, 32.3

The ornamental design for a combination drawing pen and enclosure for a computer mouse for generating free hand computer graphics, as shown and described.

DESCRIPTION

[56] References Cited

U.S. PATENT DOCUMENTS

D. 279,912	7/1985	Lee	.....	D21/48
32,190	4/1861	Hostler	.....	D13/32
3,626,595	12/1971	Hulen	.....	33/32.2
4,375,631	3/1983	Goldberg	.....	74/471 XY
4,536,746	8/1985	Gobeli	.....	74/471 XY
4,558,609	12/1985	Kim	.....	74/471 XY
4,599,799	7/1986	Lopez	.....	33/18.1

FIG. 1 is a front elevational view of a combination drawing pen and enclosure for a computer mouse for generating free hand computer graphics.

FIG. 2 is a rear elevational view thereof;

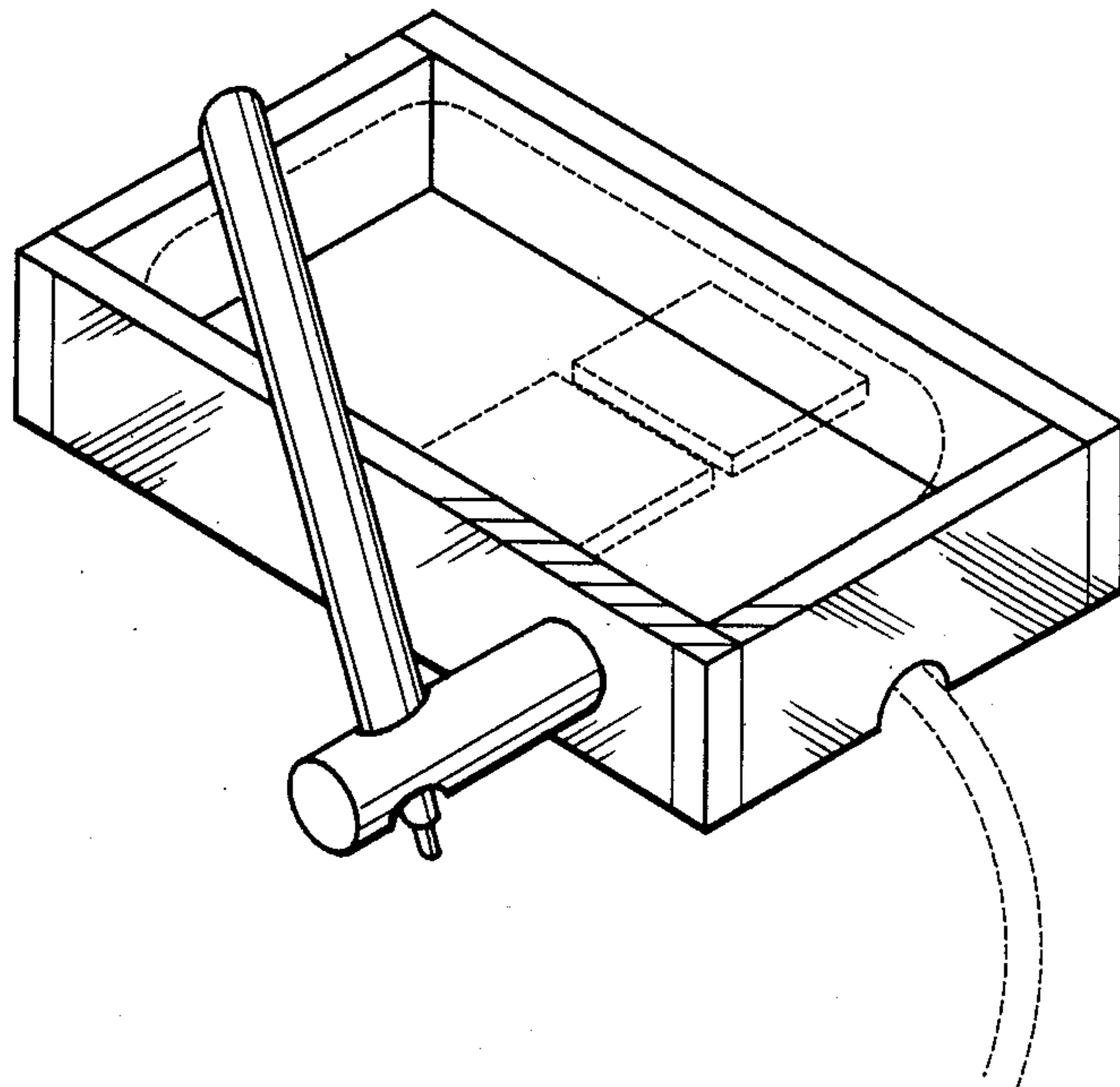
FIG. 3 is a left side elevational view thereof;

FIG. 4 is a right side elevational view thereof;

FIG. 5 is a top plan view thereof;

FIG. 6 is a bottom plan view thereof; and,

FIG. 7 is a perspective view thereof.



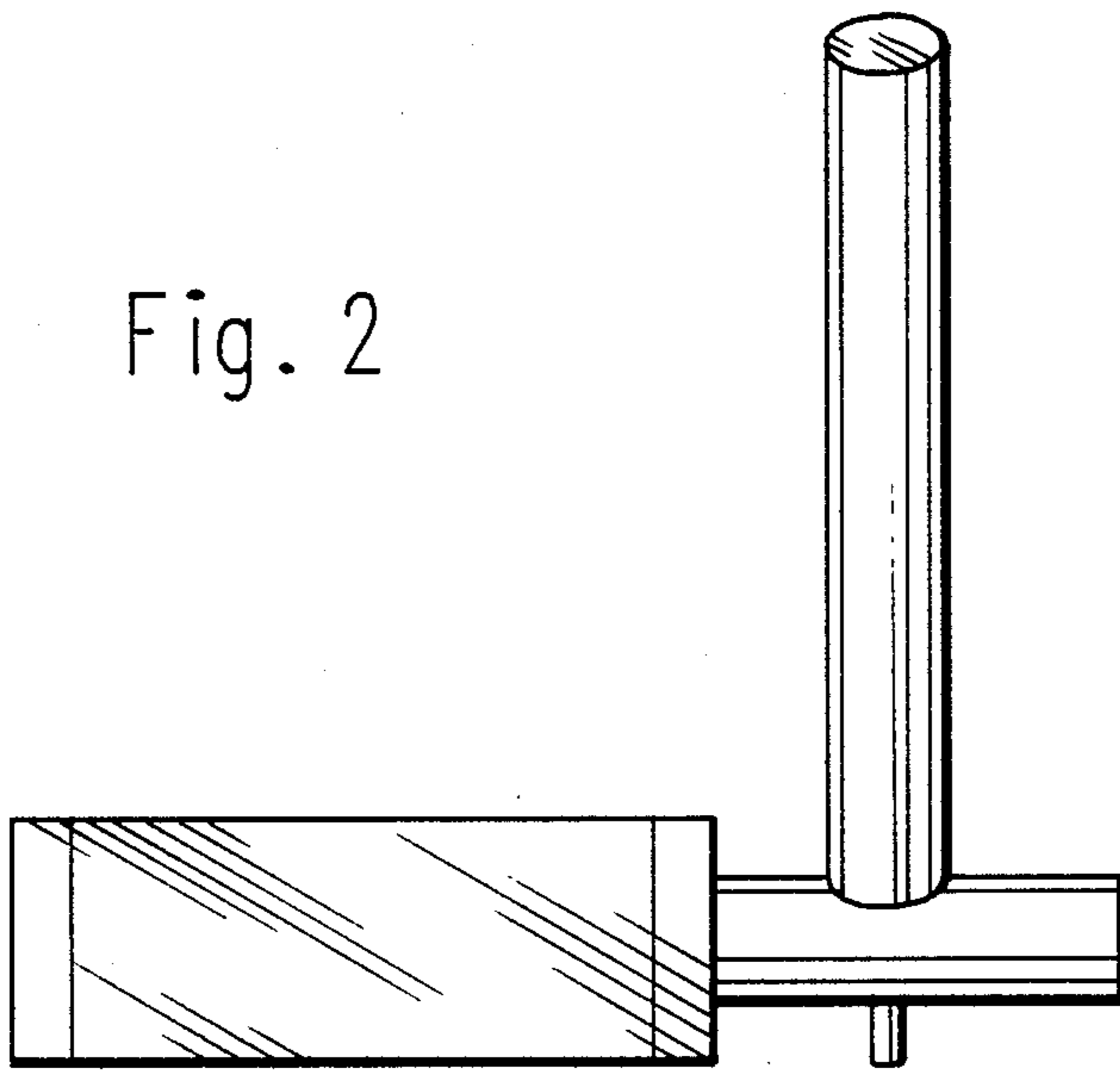
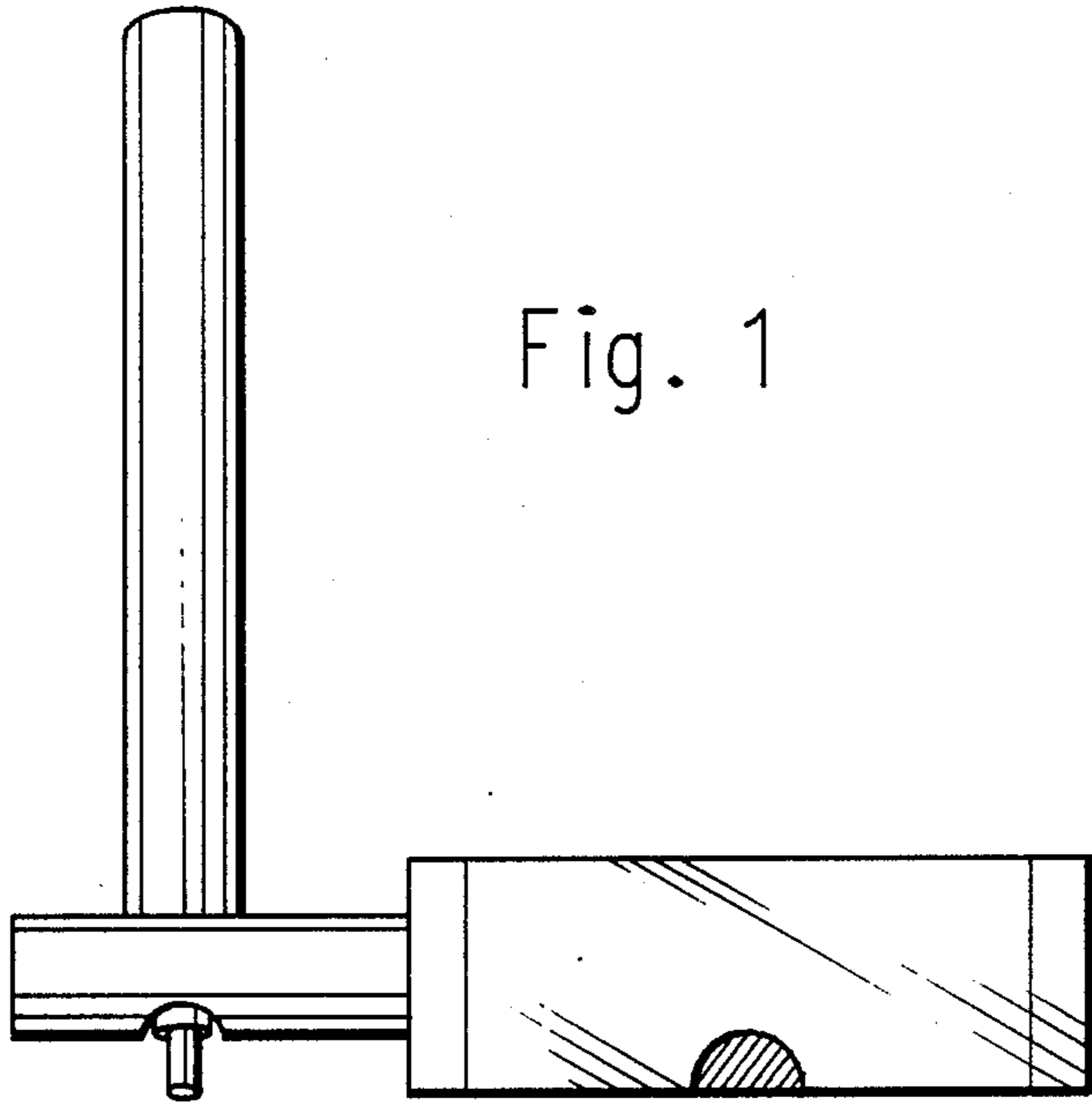


Fig. 3

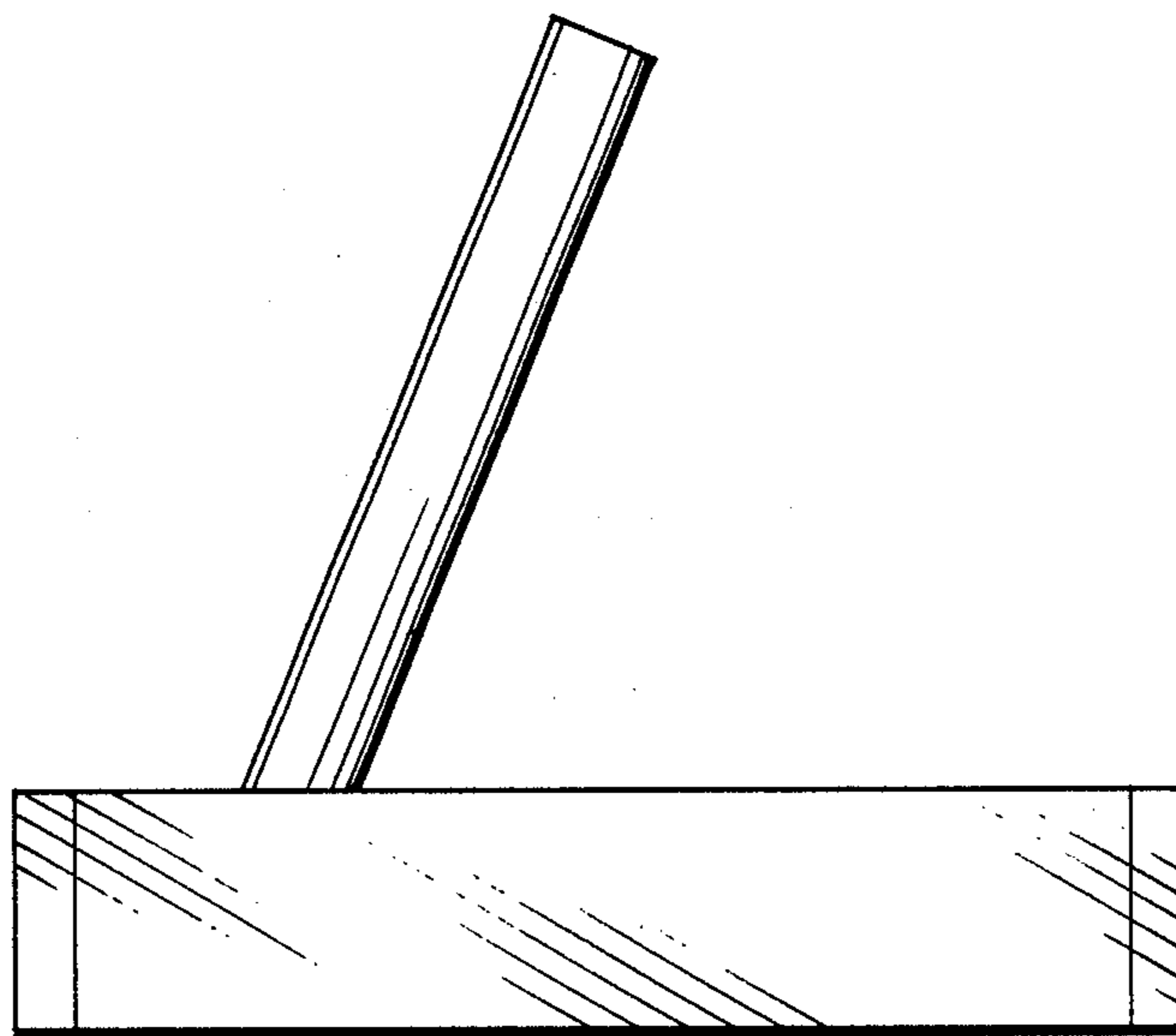
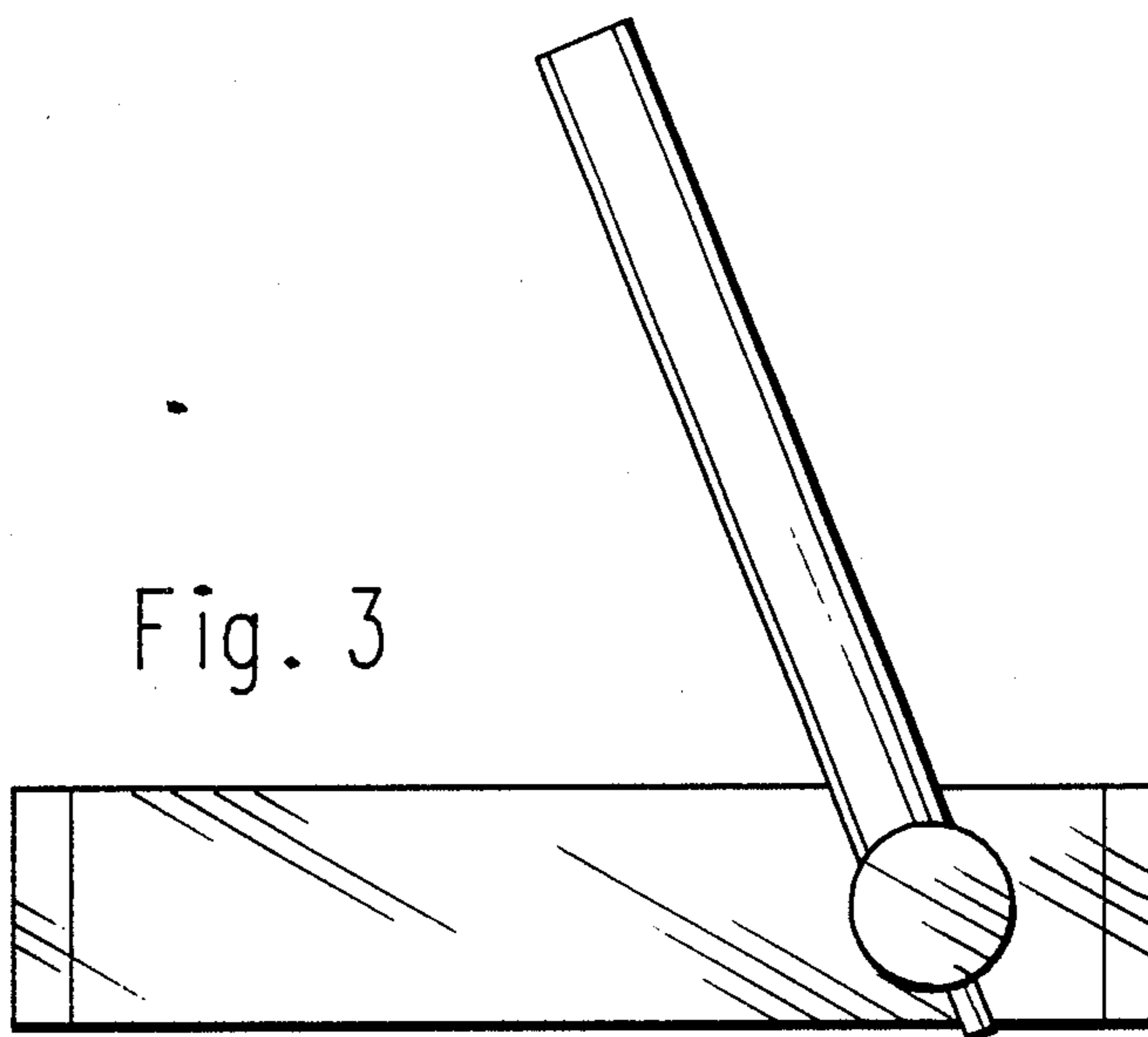


Fig. 4

Fig. 5

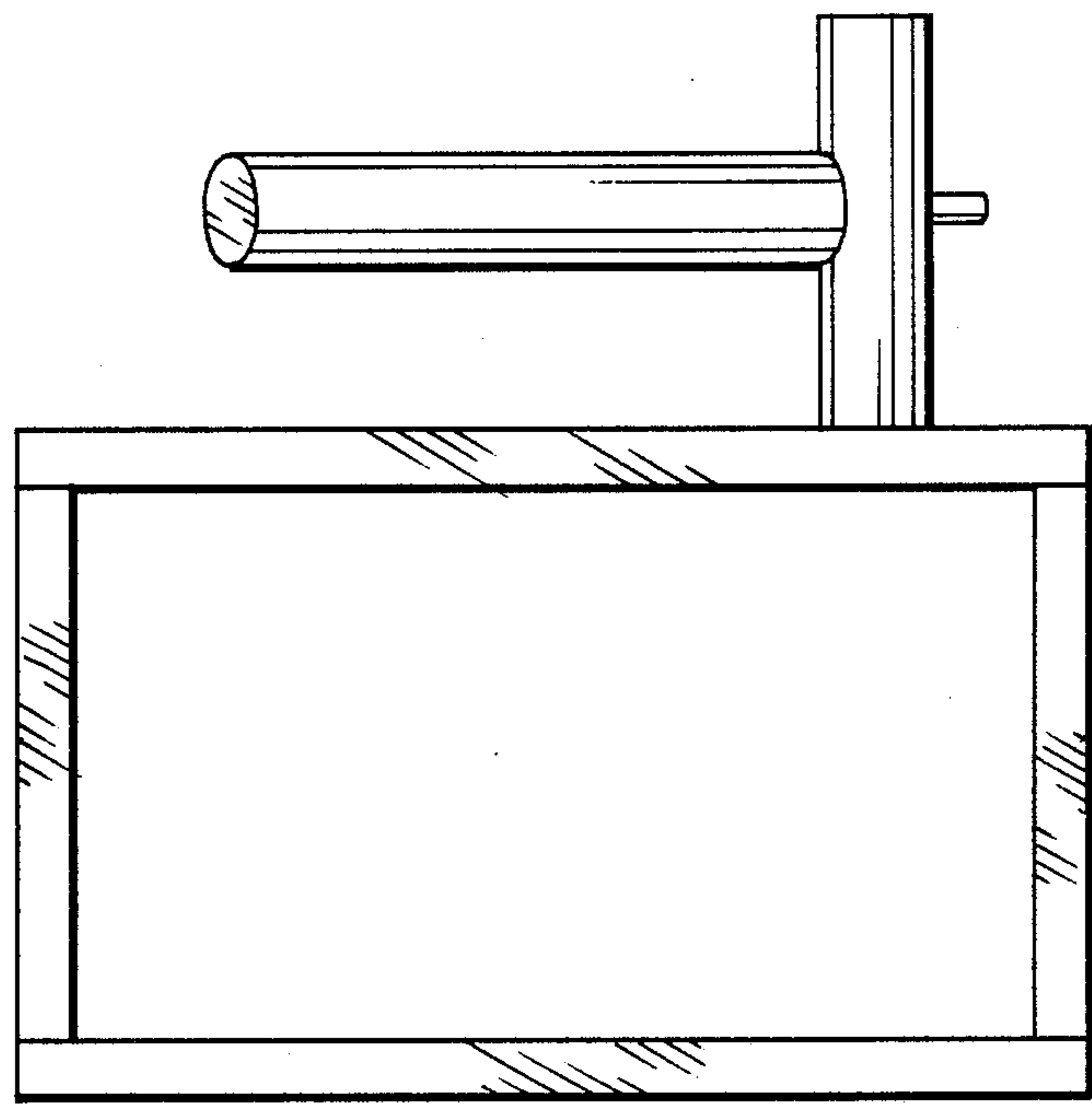
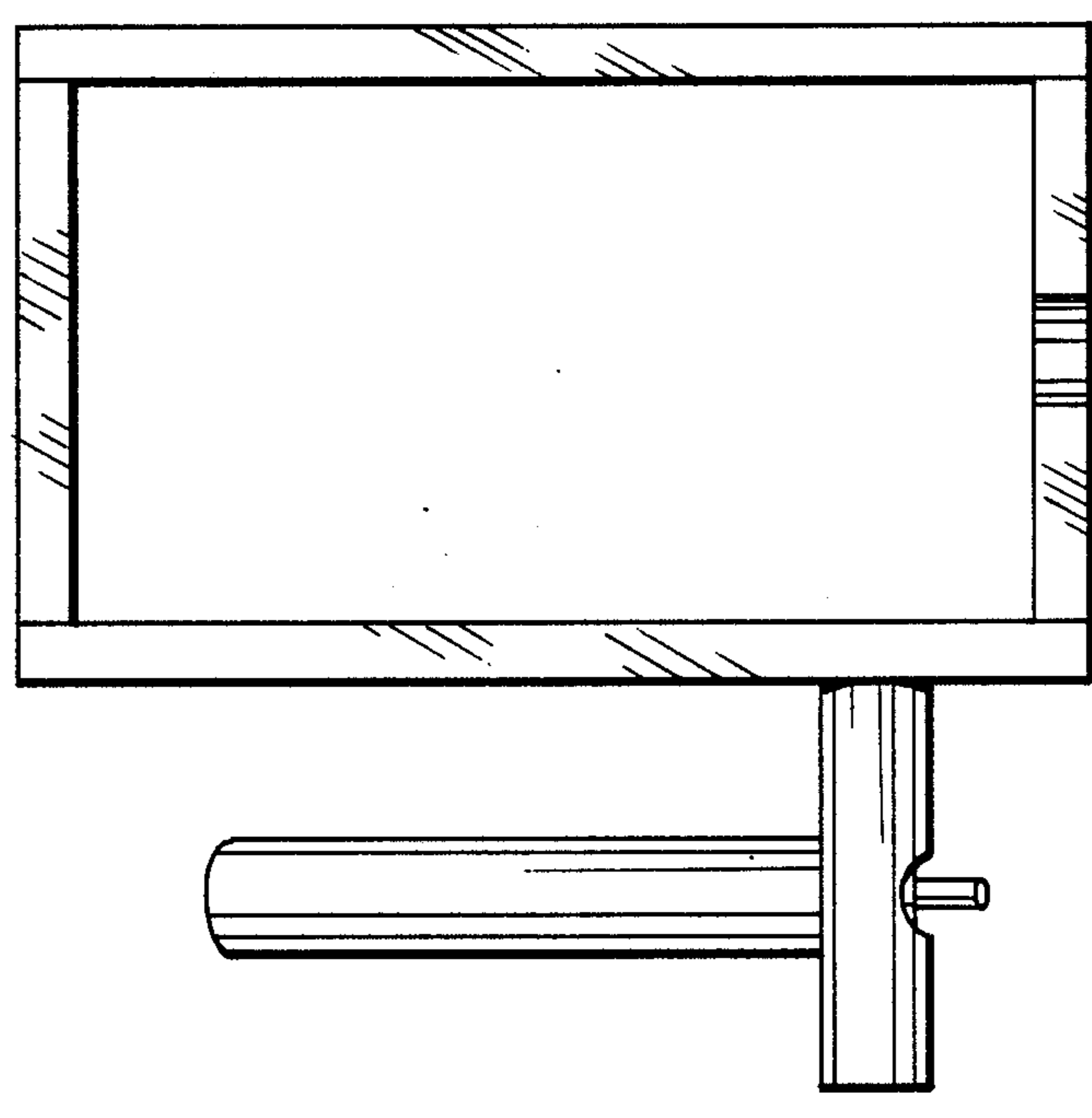


Fig. 6



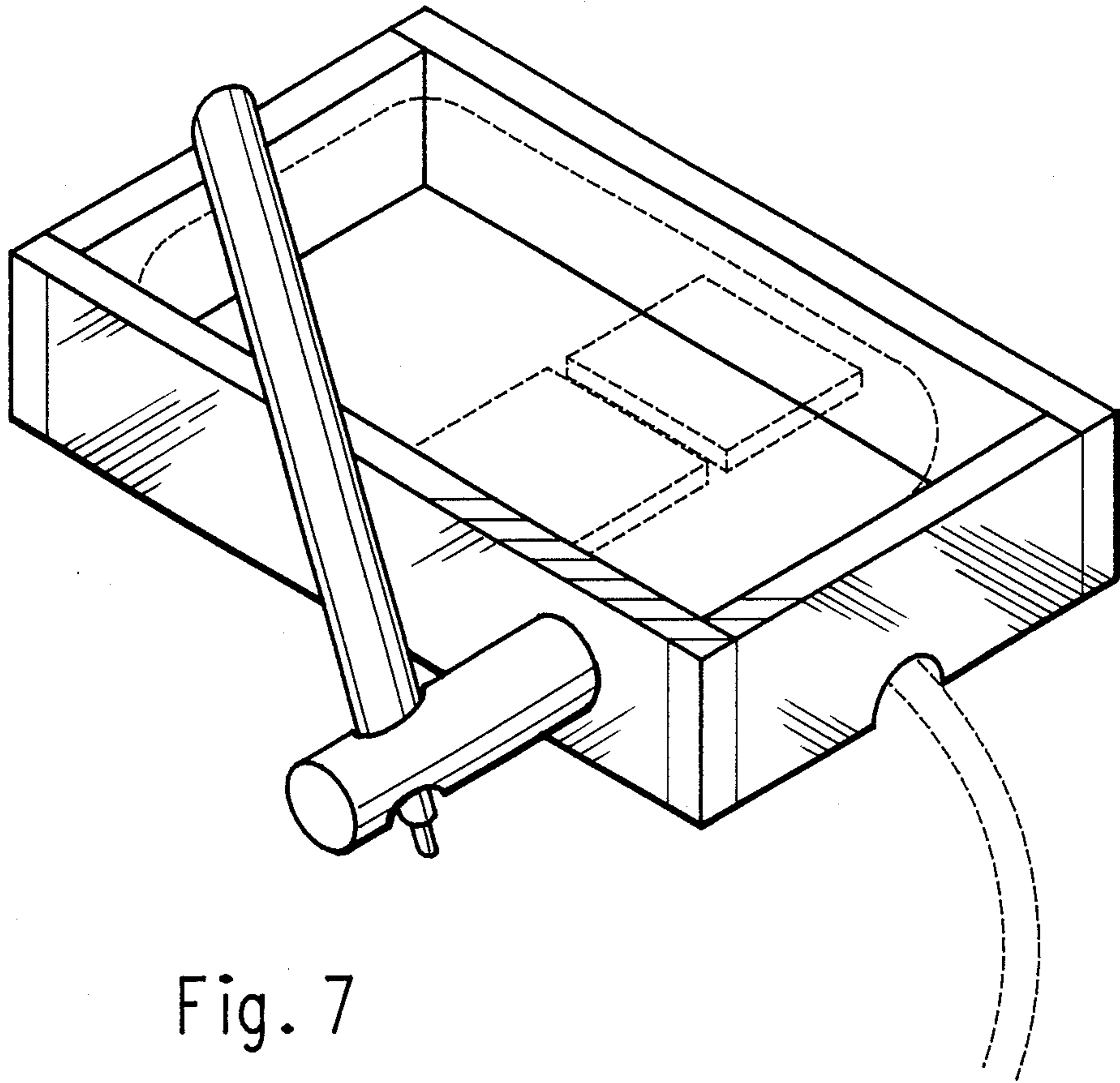


Fig. 7