

[54] CONDUCTOR STRIP FOR ELECTRICAL AND TELECOMMUNICATION CONDUCTORS

[76] Inventors: Harald Widell, Kalendervägen 25; Jan Widell, Augustivägen 11; Nils-Åke Bergman, Junivägen 24, all of S-352 47 Växjö, Swedeb

[**] Term: 14 Years

[21] Appl. No.: 876,368

[22] Filed: Jun. 18, 1986

[30] Foreign Application Priority Data

Dec. 23, 1985 [SE] Sweden 853143
[52] U.S. Cl. D13/13
[58] Field of Search D13/13, 24; 439/110, 439/111, 112, 117, 120, 115, 67, 209, 216, 492; 174/97, 70 C

[56] References Cited

U.S. PATENT DOCUMENTS

D. 188,103 6/1960 Scofield D13/13
D. 224,790 9/1972 Schlesinger, Jr. D13/13
3,622,687 11/1971 Doughty 174/97 X
4,614,838 9/1986 Sandström 174/70 C

OTHER PUBLICATIONS

IBM Technical Disclosure Bulletin, vol. 20, No. 10, 3-1978, p. 4054, Uberbacher, Optical Fiber Ribbon Cable, FIGS. 1 & 2.

Primary Examiner—Susan J. Lucas

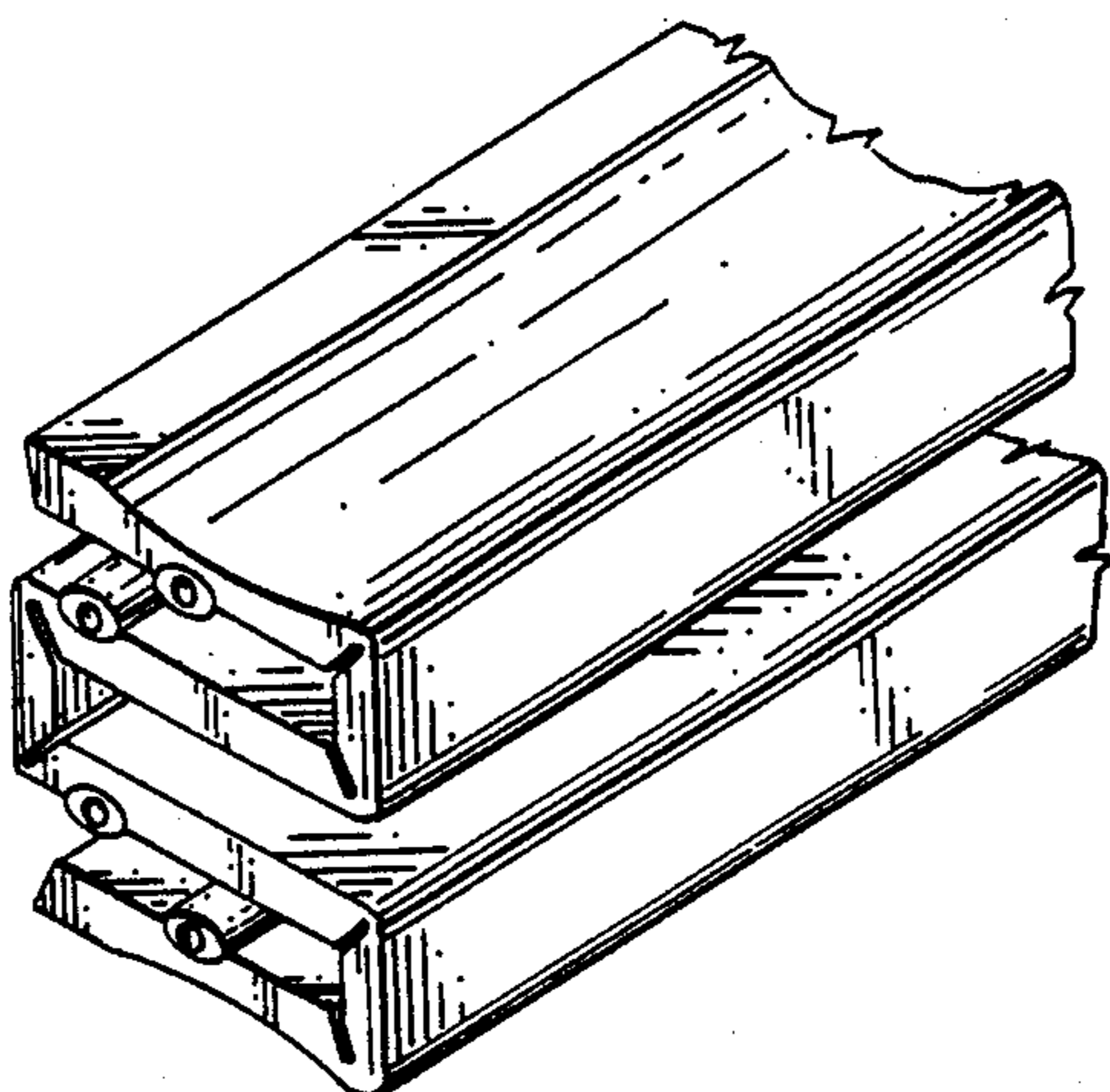
Attorney, Agent, or Firm—Davis, Bujold & Streck

[57] CLAIM

The ornamental design for a conductor strip for electrical and telecommunication conductors, as shown and described.

DESCRIPTION

FIG. 1 is an end elevational view of a conductor strip for electrical and telecommunication conductors showing our new design, the strip being in the folded operational condition; FIG. 2 is an opposite end elevational view thereof, the conductor being turned to an alternate position; FIG. 3 is a side elevational view thereof as seen from the left of FIG. 1; FIG. 4 is a plan view thereof as seen from the top of FIG. 1; FIG. 5 is a side elevational view thereof as seen from the right of FIG. 1; FIG. 6 is a plan view thereof as seen from the bottom of FIG. 1; FIGS. 7 and 8 are side elevational views of the conductor strip in the flat condition for storing or transport; FIGS. 9 and 11 are end elevational views thereof; FIGS. 10 and 12 are plan views thereof as seen from the top and bottom of FIG. 8, respectively; FIG. 13 is a top, end, and right side perspective view of the conductor strip in the folded condition as shown in FIG. 1; FIG. 14 is a top perspective view of the conductor strip in the flat condition as shown in FIG. 9; and FIG. 15 is a bottom perspective view thereof. The conductor strip has indefinite length.



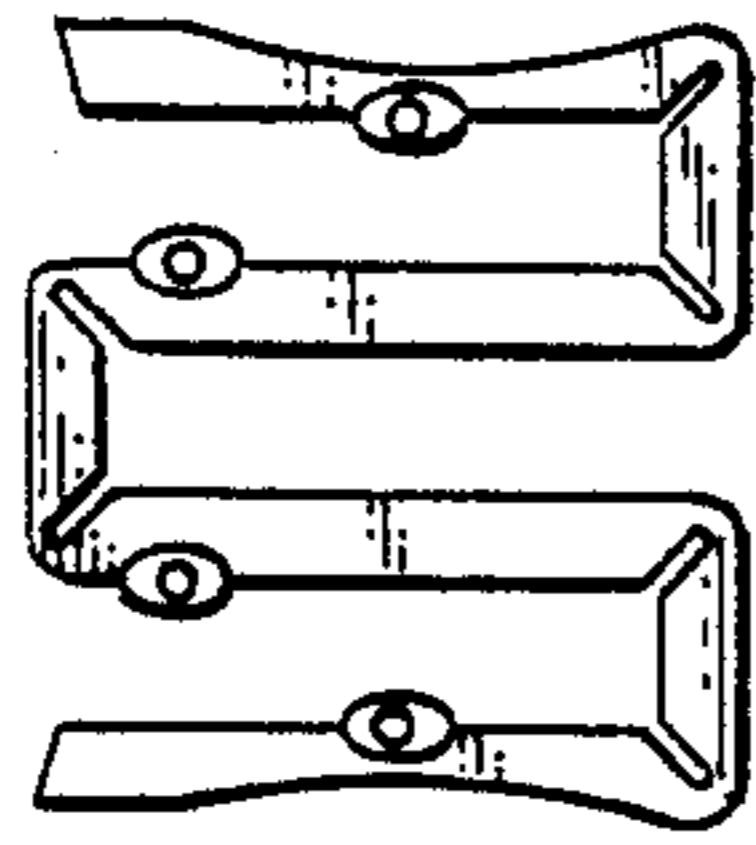


FIG. 1

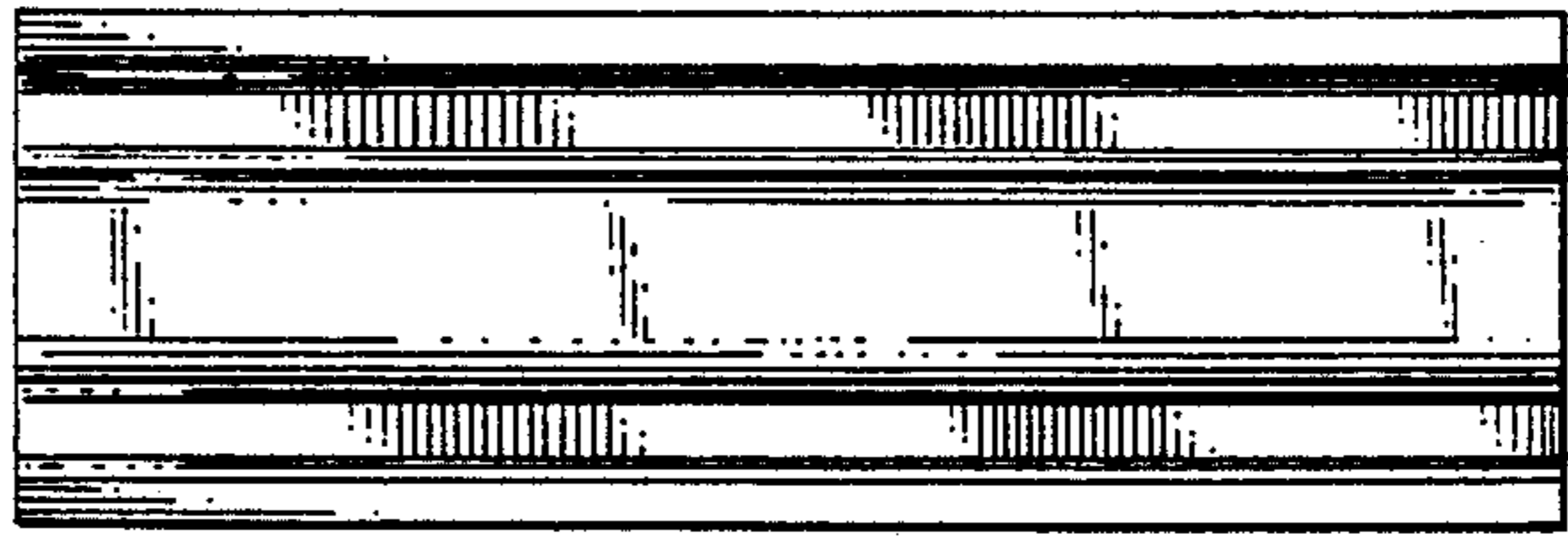


FIG. 3

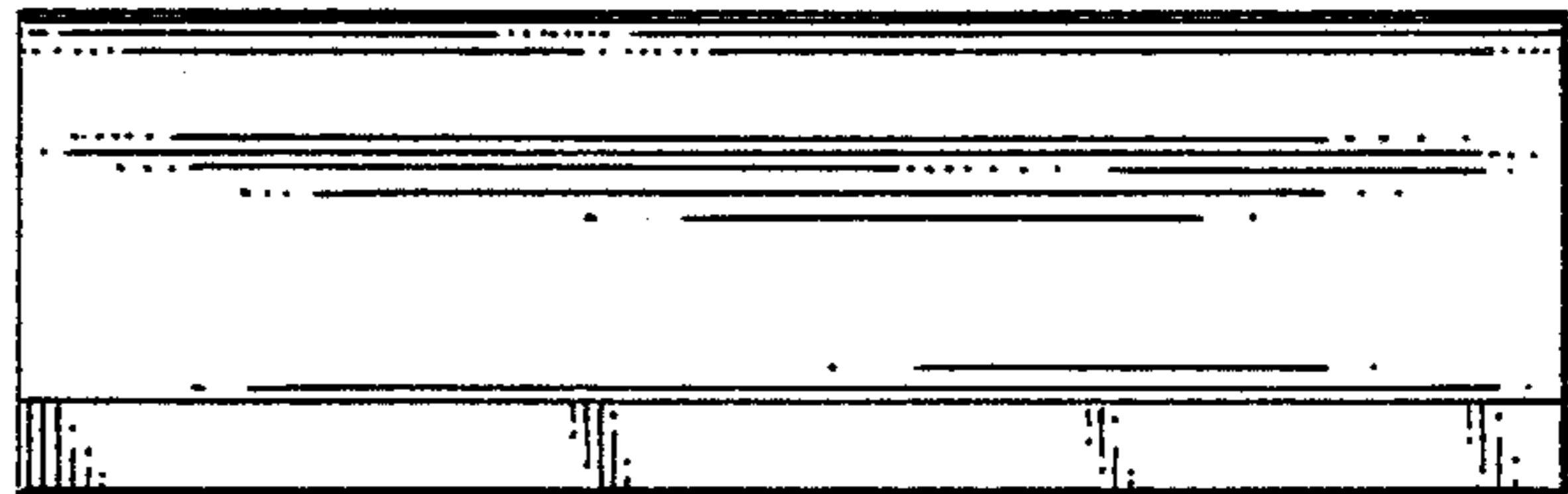


FIG. 4

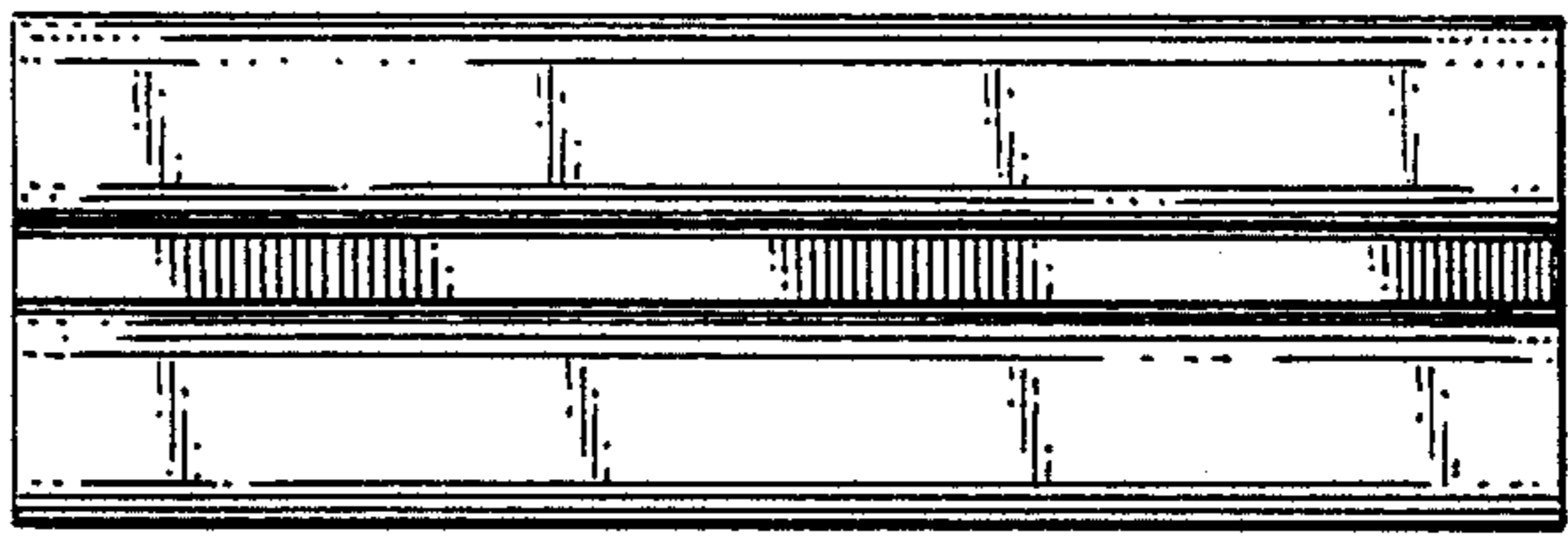


FIG. 5

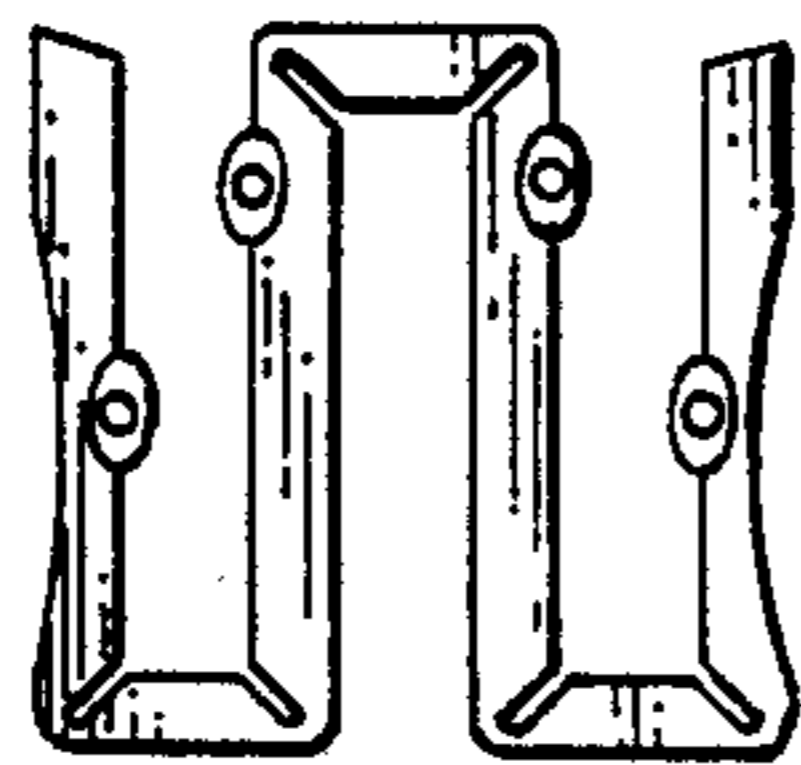


FIG. 2

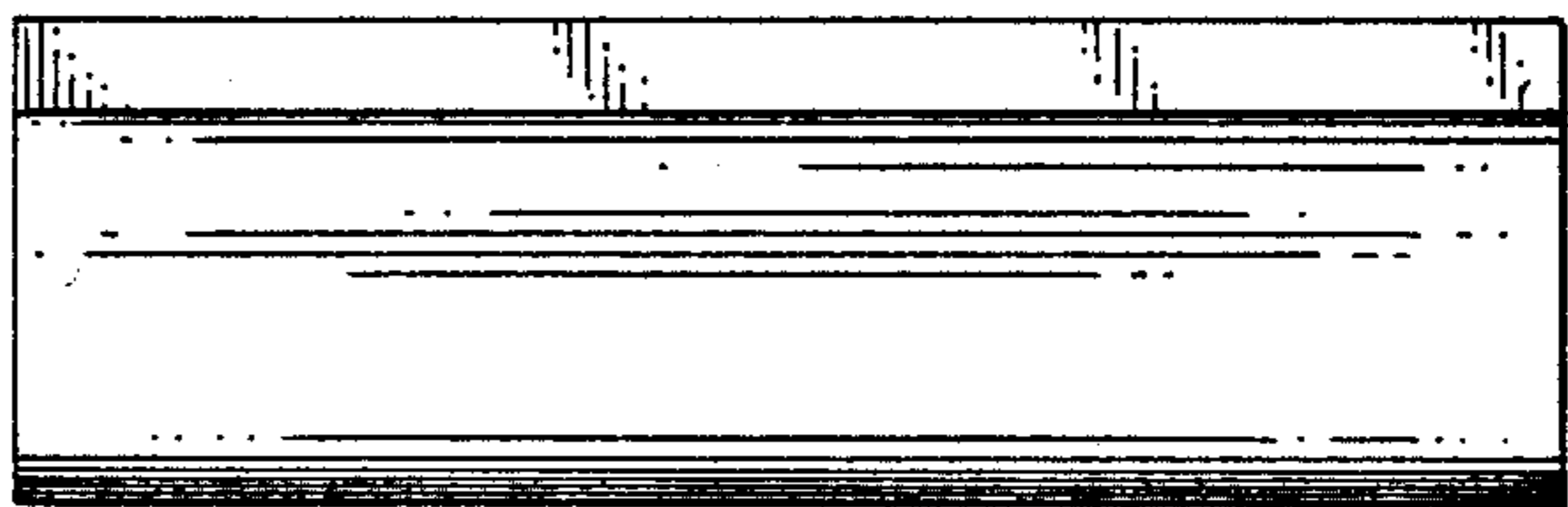


FIG. 6



FIG. 7

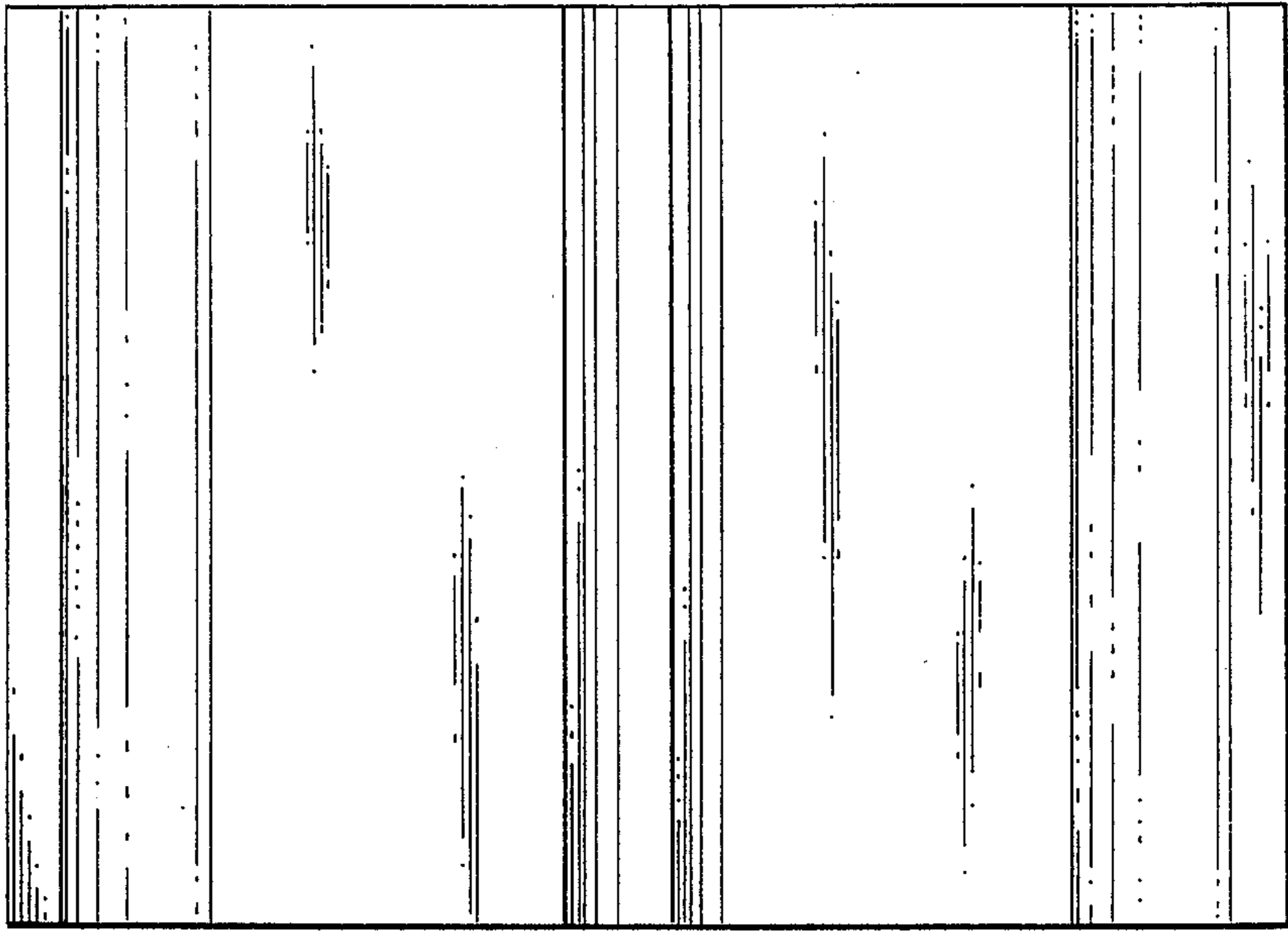


FIG. 10



FIG. 9



FIG. 8

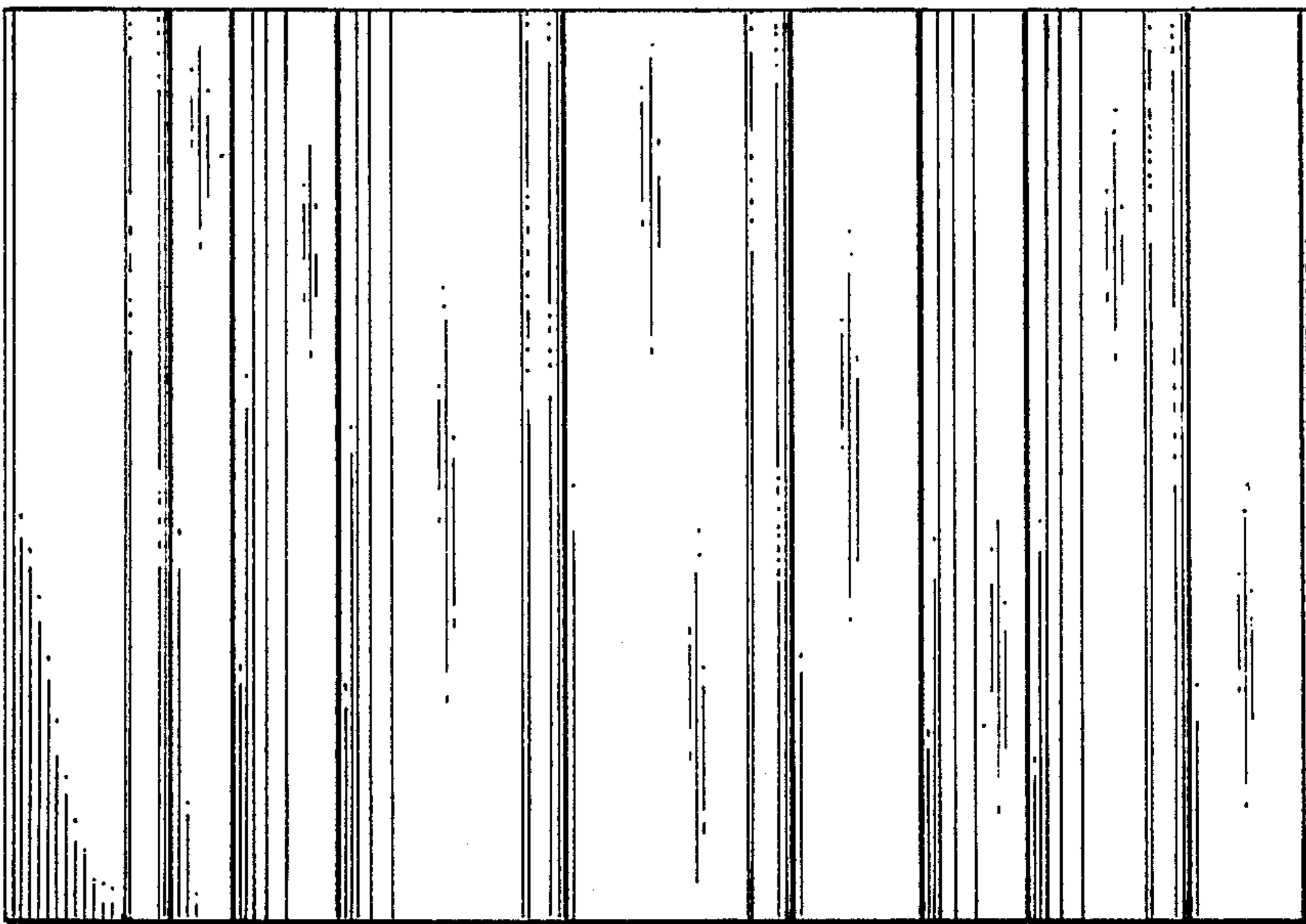


FIG. 12



FIG. 11

FIG. 13

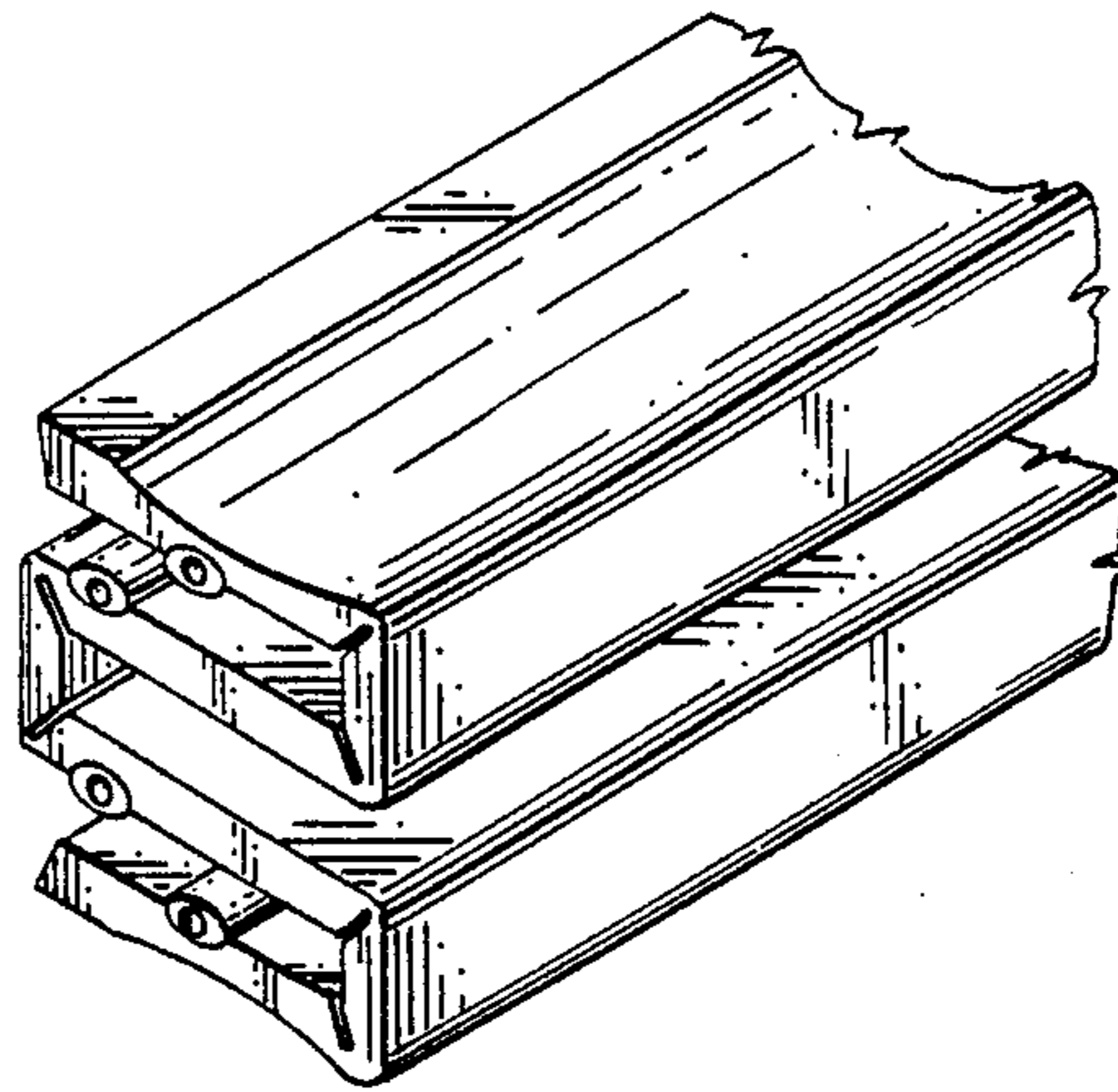


FIG. 14

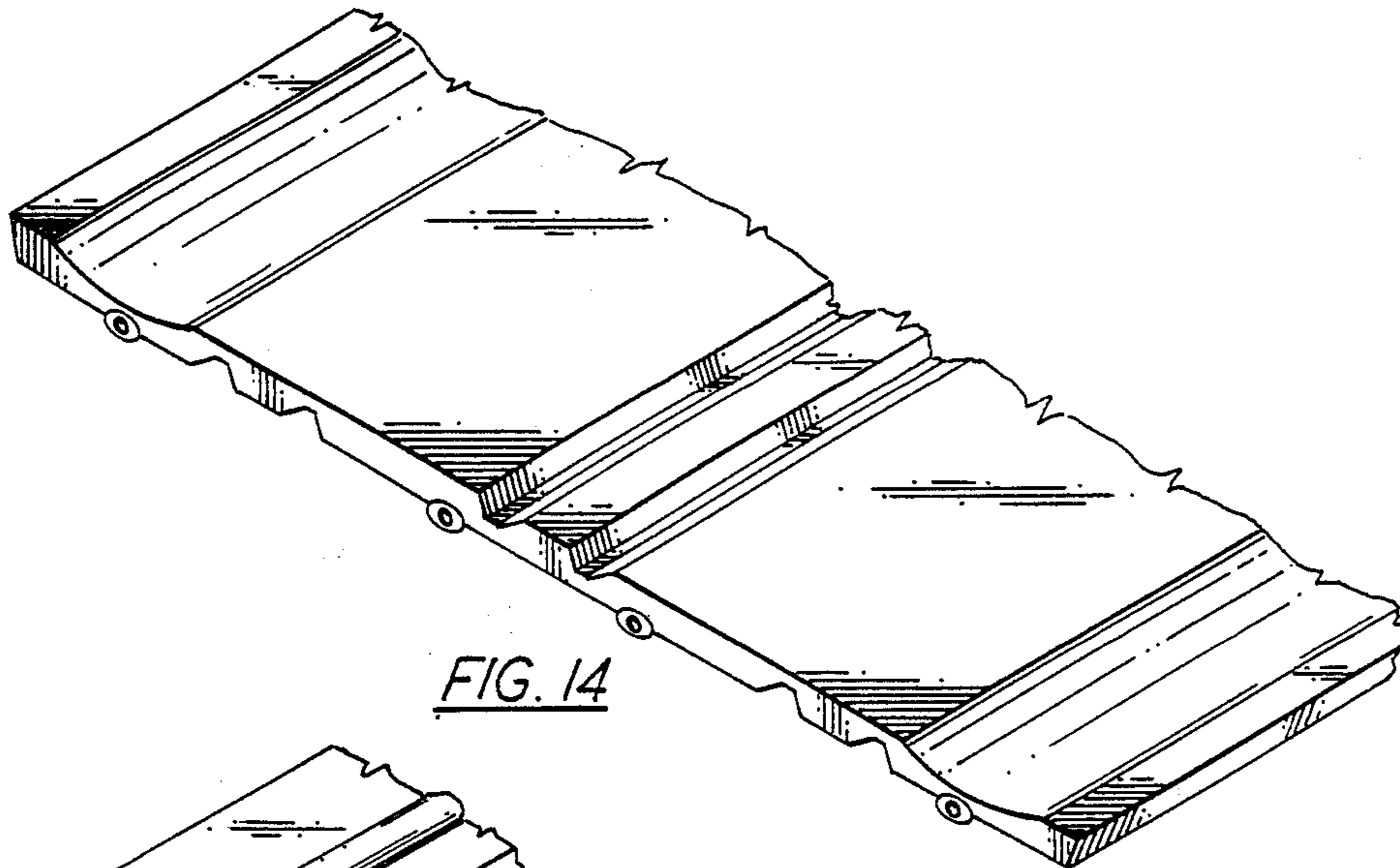


FIG. 15

