

[54] **ROTATING WIND GENERATOR**

[76] **Inventor: Michael Korneski, 13075 Hilary Path, Hastings, Minn. 55033**
[**] **Term: 14 Years**
[21] **Appl. No.: 102,604**
[22] **Filed: Sep. 29, 1987**
[52] **U.S. Cl. D13/3**
[58] **Field of Search D13/1, 2, 3, 99; D30/121; 416/9, 11, 177; 415/2; 290/44, 55**

[56] **References Cited**

U.S. PATENT DOCUMENTS

1,345,022	6/1920	Oliver	290/55 X
1,495,036	5/1924	Palmer	290/55 X
3,883,750	5/1975	Uzzell, Jr.	416/9 X
3,988,072	10/1976	Sellman	415/2.1
4,019,828	4/1977	Bunzer	290/55 X
4,398,096	8/1983	Faurholtz	290/55

FOREIGN PATENT DOCUMENTS

3007085	9/1981	Fed. Rep. of Germany	290/55
2472093	6/1981	France	290/55

OTHER PUBLICATIONS

FIG. 1 of the publication: *Experimental Demonstration of the Diffuser Augmented Wind Turbine Concept.*

Primary Examiner—Susan J. Lucas
Assistant Examiner—Joel Sincavage

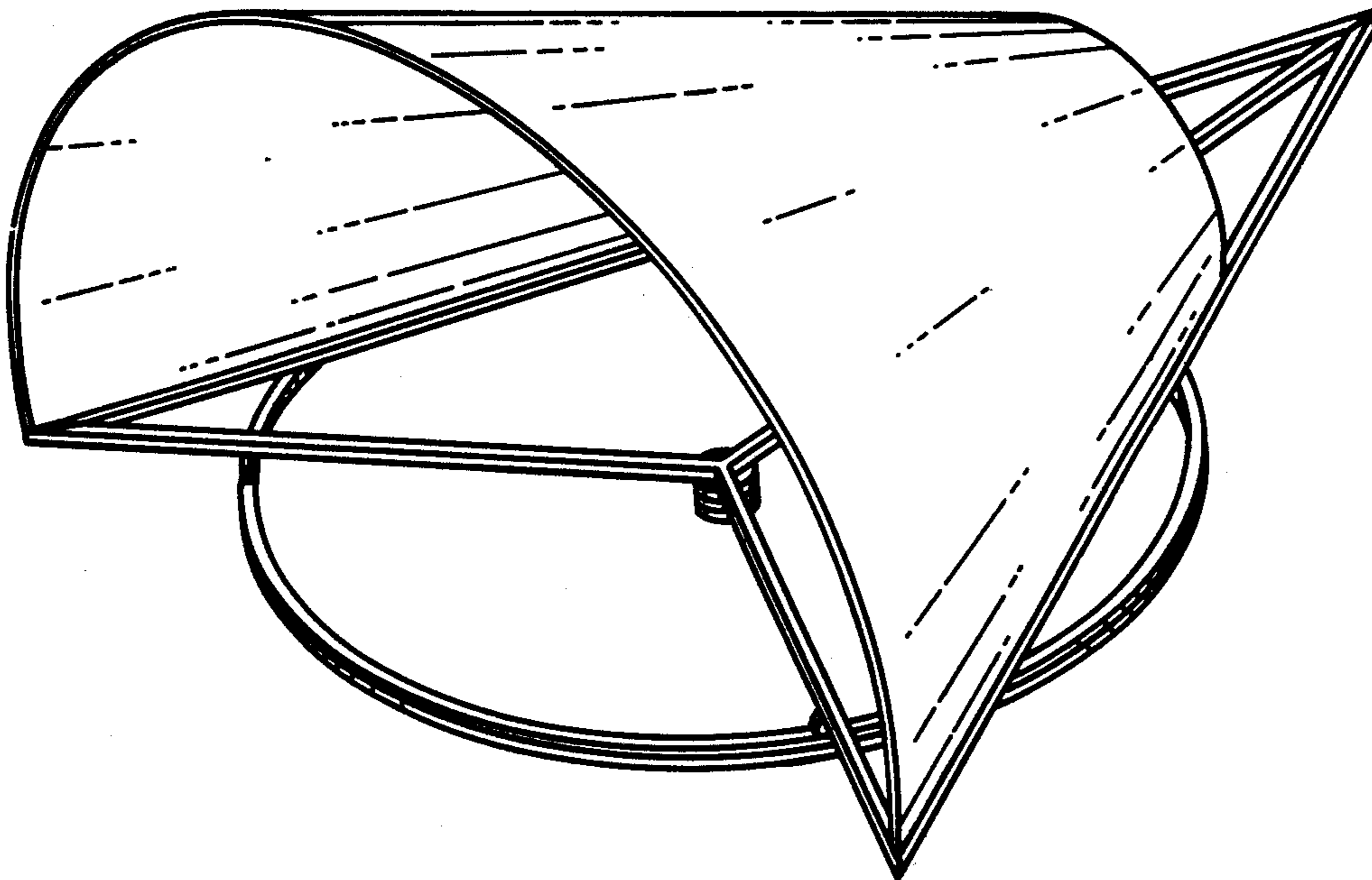
[57] **CLAIM**

The ornamental design for a rotating wind generator, as shown and described.

DESCRIPTION

FIG. 1 is a perspective view of a rotating wind generator showing my new design;
FIG. 2 is a front elevational view thereof;
FIG. 3 is a side elevational view thereof; and
FIG. 4 is a top plan view thereof.

Portions of the semi-cone in FIGS. 3 and 4 have been broken away to fully disclose the rotating vanes and the electric generator. The normal appearance of the semi-cone of FIGS. 3 and 4 is consistent with its appearance in FIGS. 1 and 2.



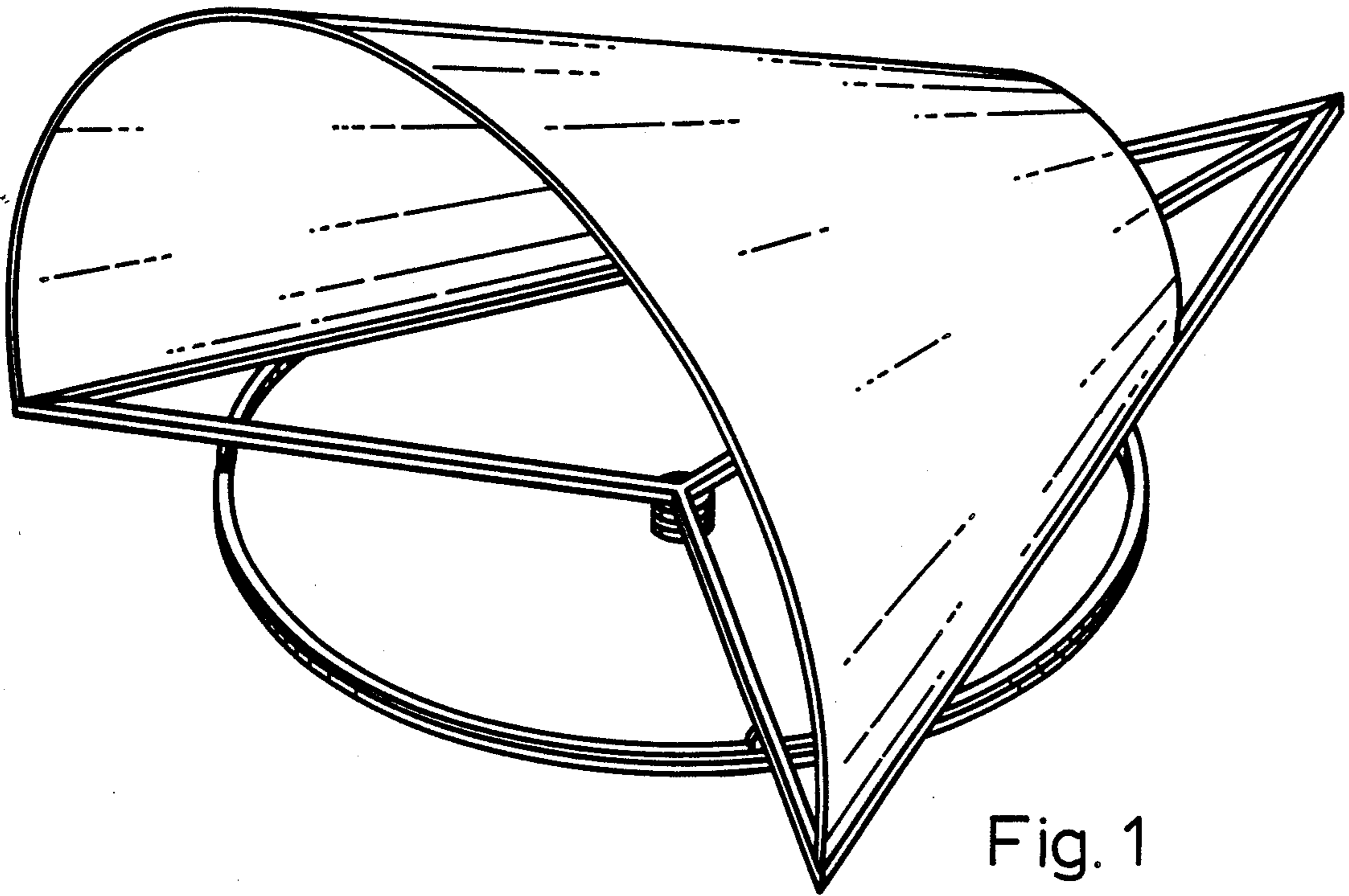
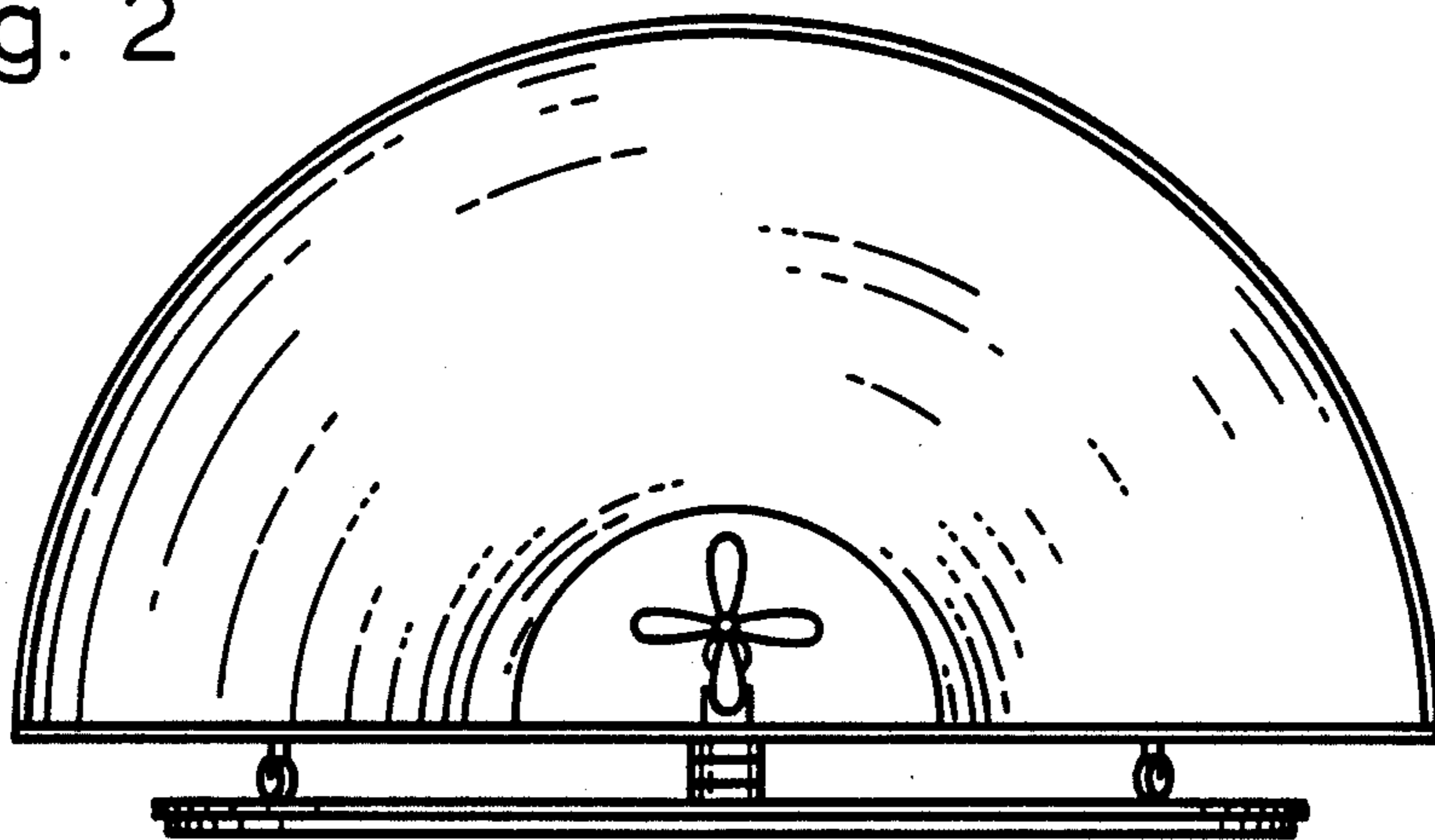


Fig. 1

Fig. 2



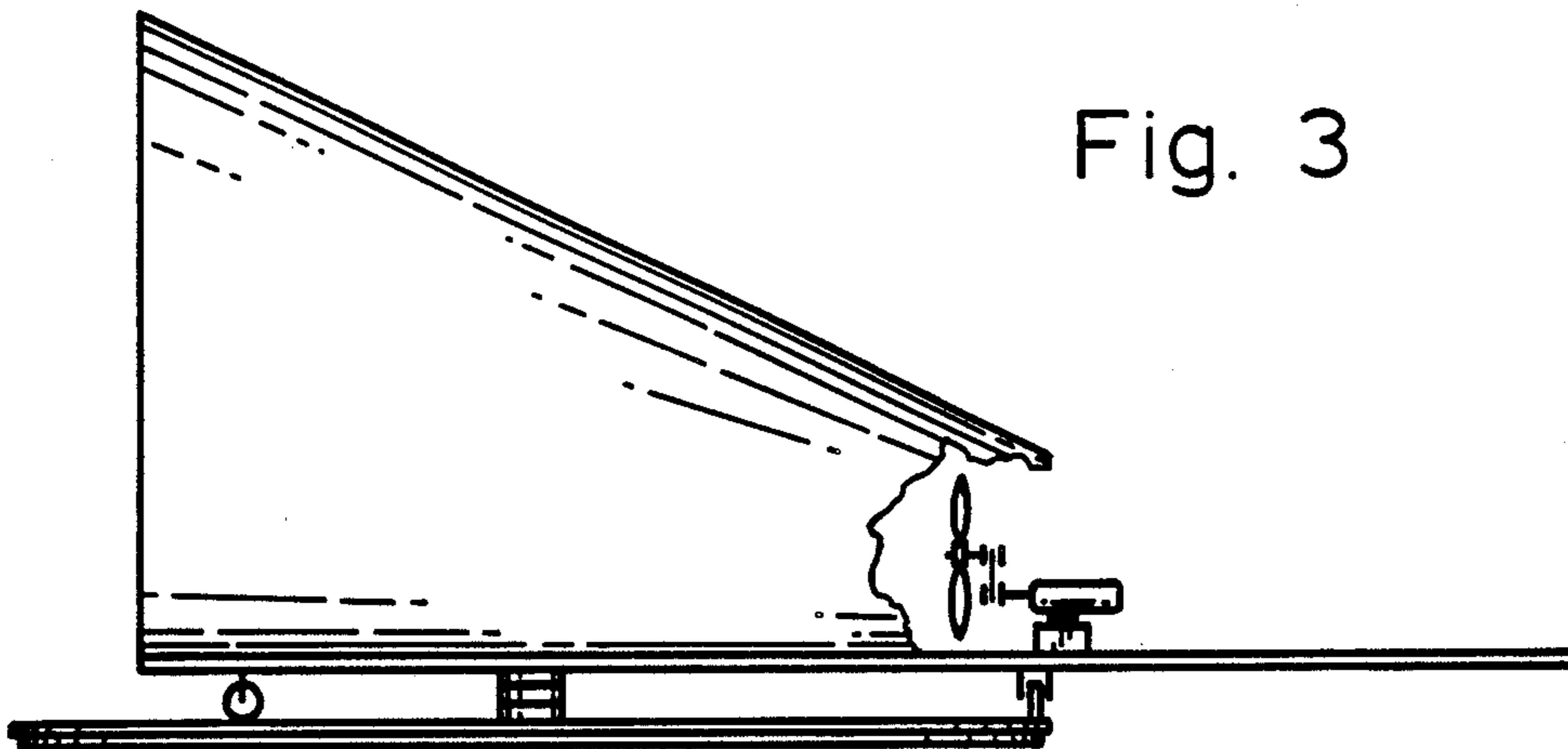


Fig. 3

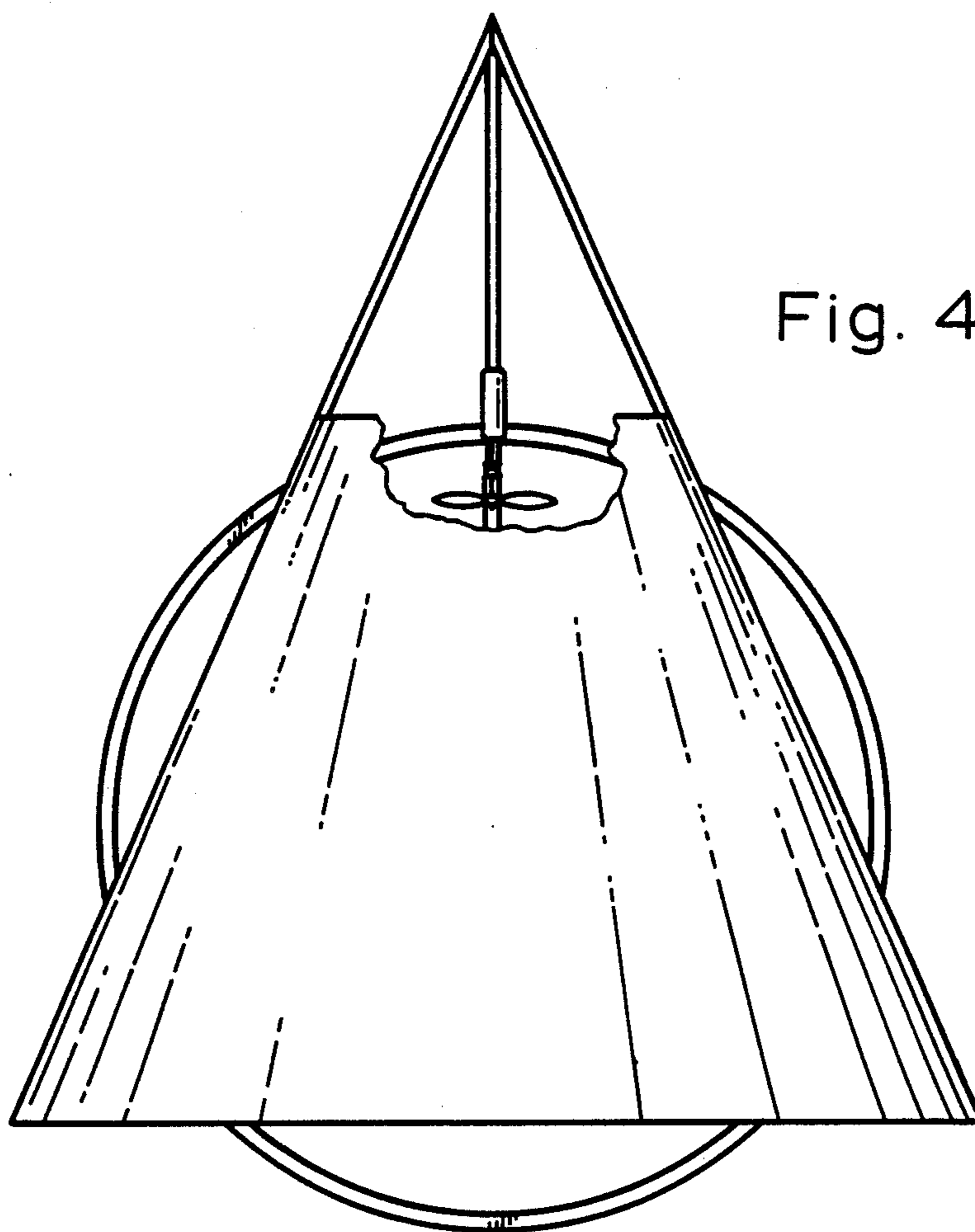


Fig. 4