

United States Patent [19]

Blake

[11] Patent Number: **Des. 305,418**

[45] Date of Patent: **** Jan. 9, 1990**

[54] **GONDOLA FOR AN AIRSHIP**

4,799,914 1/1989 Hutchinson 244/30

[75] Inventor: **Bruce N. Blake, Kensington, Australia**

Primary Examiner—Wallace R. Burke
Assistant Examiner—Kay H. Chin
Attorney, Agent, or Firm—Fulbright & Jaworski

[73] Assignee: **Airship Developments Australia Pty. Ltd., Victoria, Australia**

[57] **CLAIM**

[**] Term: **14 Years**

The ornamental design for a gondola for an airship, as shown and described.

[21] Appl. No.: **139,879**

DESCRIPTION

[22] Filed: **Dec. 20, 1987**

FIG. 1 is a left side elevational view of a gondola for an airship showing my new design;

[52] U.S. Cl. **D12/345; D12/323**

FIG. 2 is a front elevational view thereof;

[58] Field of Search **D12/319, 321, 322, 323; 244/30, 25, 64, 97**

FIG. 3 is a reduced right, bottom perspective view thereof, and

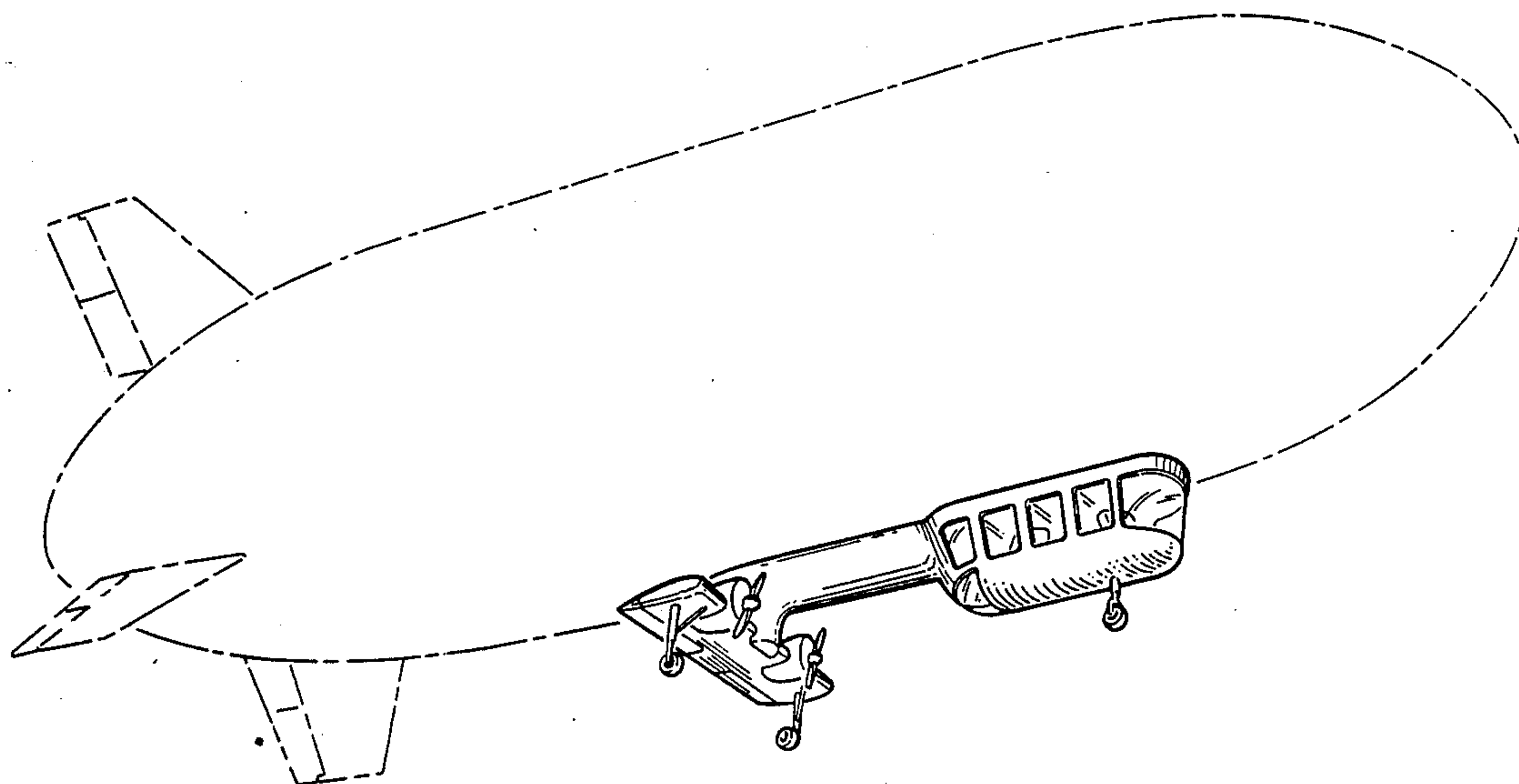
[56] **References Cited**

FIG. 4 is a rear elevational view thereof.

U.S. PATENT DOCUMENTS

The broken lines shown in FIGS. 1 through 4 are for illustrative purposes only and form no part of the claimed design.

4,773,617 9/1988 McCampbell 244/30



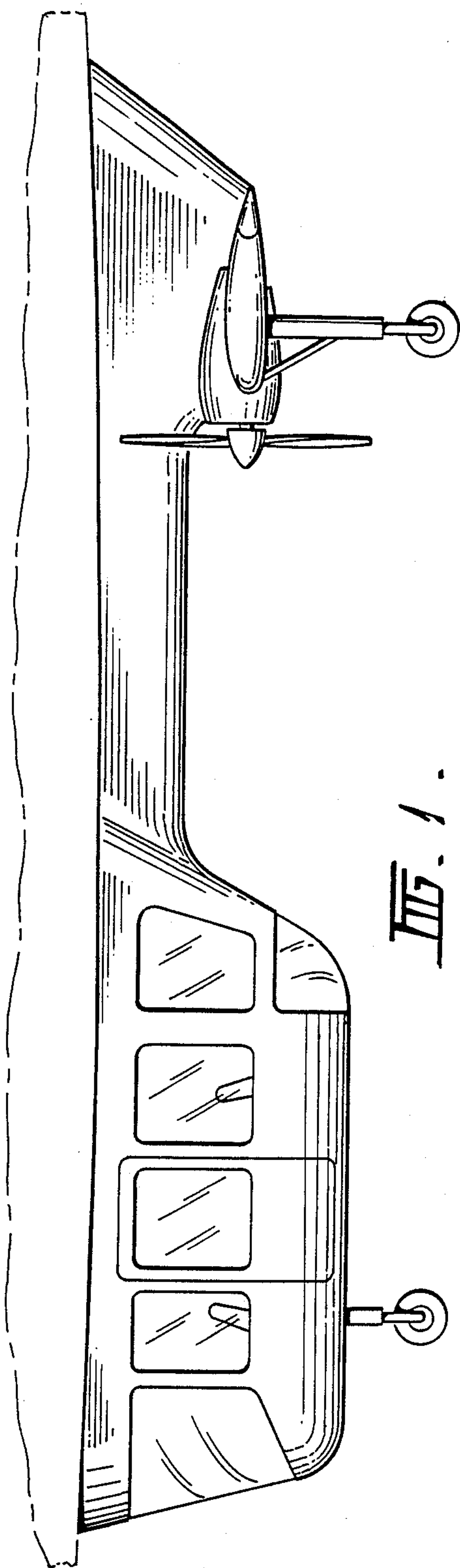


FIG. 1.

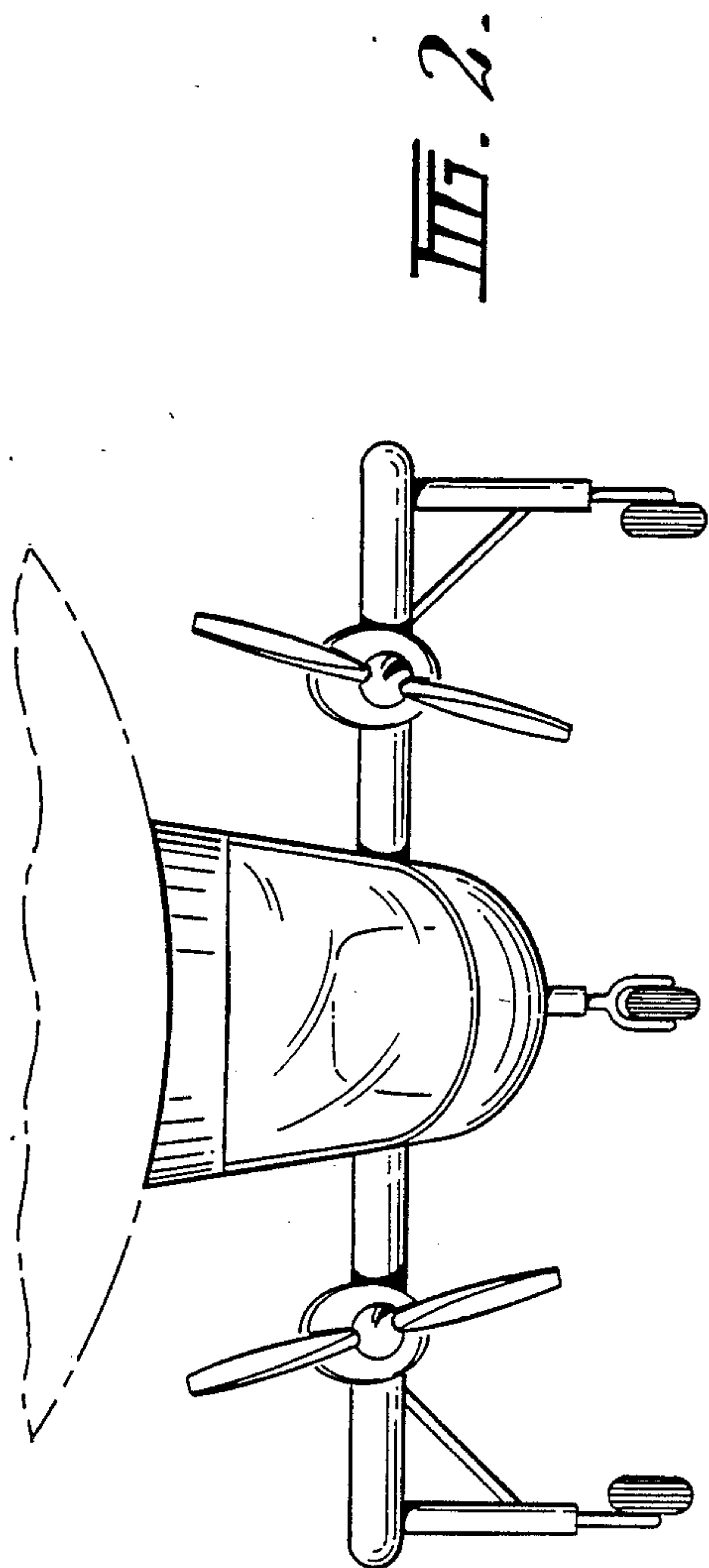


FIG. 2.

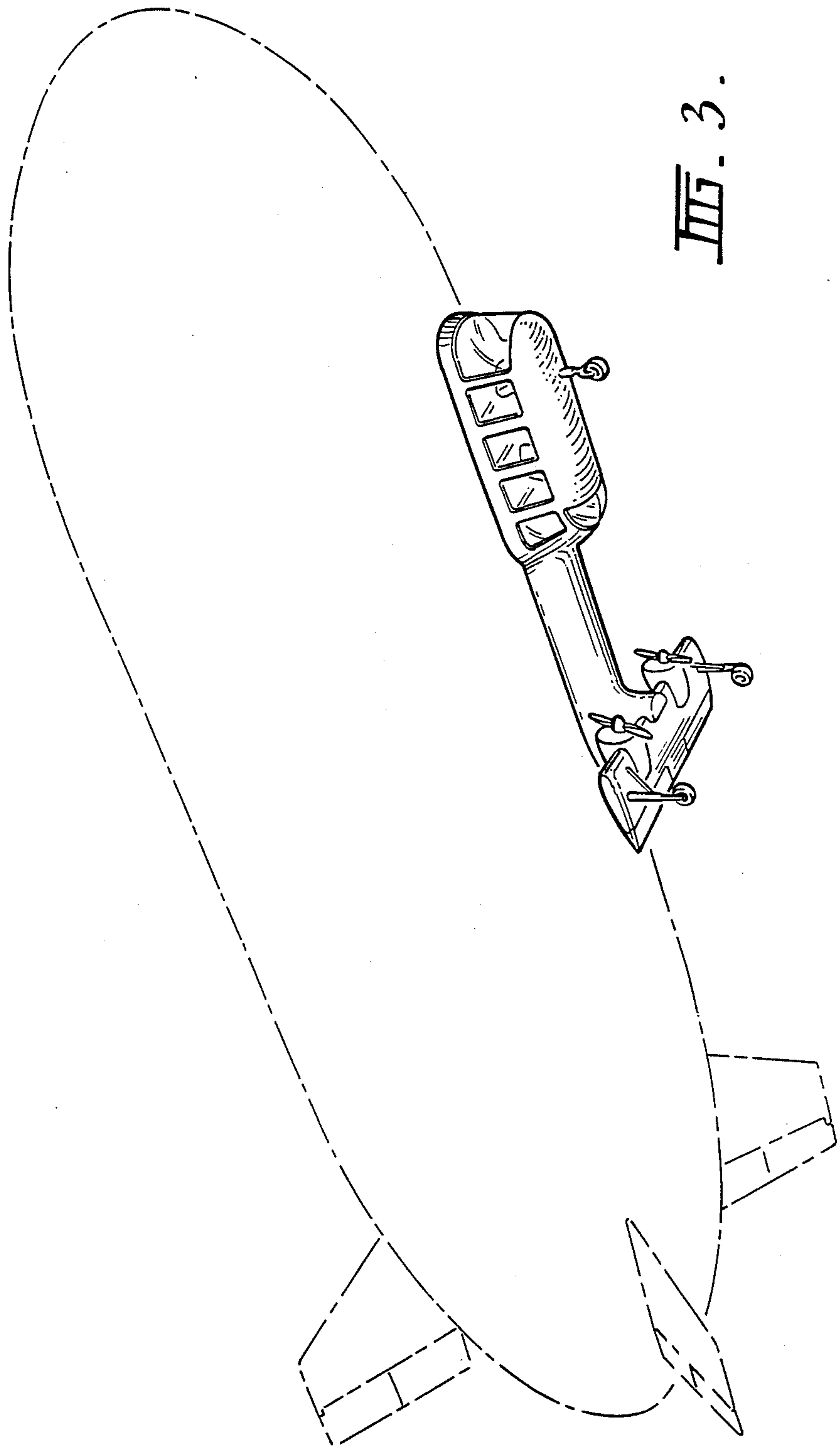


FIG. 3.

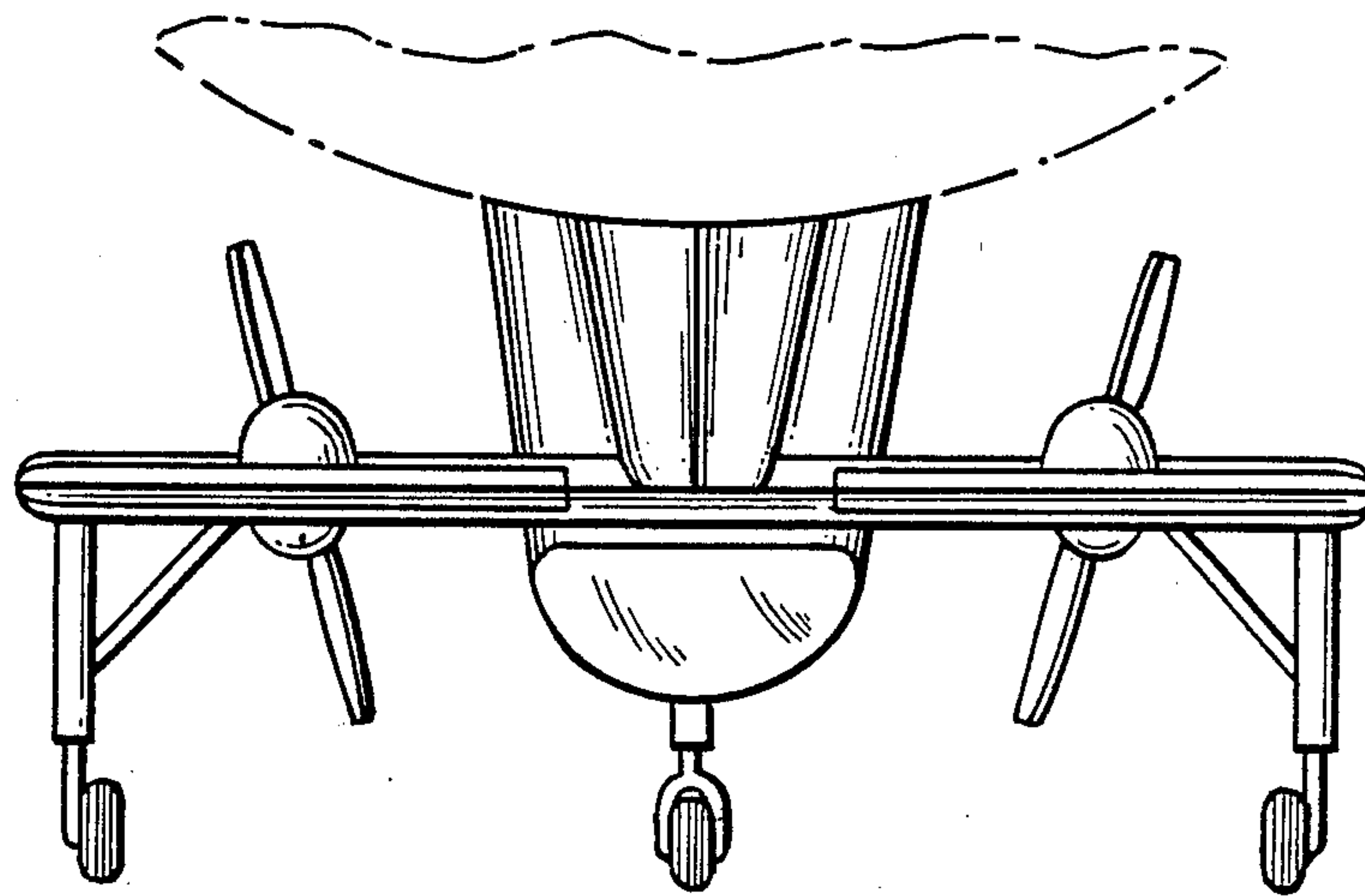


FIG. 4.