

# United States Patent [19]

LaJoie

[11] Patent Number: **Des. 305,408**

[45] Date of Patent: **\*\* Jan. 9, 1990**

[54] CLAM SHELL PACKAGE

[75] Inventor: Aldran H. LaJoie, El Toro, Calif.

[73] Assignee: Cosmar Corporation, Huntington Beach, Calif.

[\*\*] Term: 14 Years

[21] Appl. No.: 847,547

[22] Filed: Mar. 31, 1986

[52] U.S. Cl. .... D9/415

[58] Field of Search ..... D9/415, 414, 341, 425, D9/420; 206/470, 471, 44 R, 45.31, 541; 224/103; D7/70

[56] **References Cited**

**U.S. PATENT DOCUMENTS**

D. 278,979	5/1985	Anderson et al. ....	D9/415
3,463,309	8/1969	Szoster .....	206/470
3,467,248	9/1969	Makowicki .....	206/464
4,449,629	5/1984	Barrieau .....	206/45.34

4,499,353	2/1985	Shields .....	206/470
4,666,037	5/1987	Weissman .....	206/470

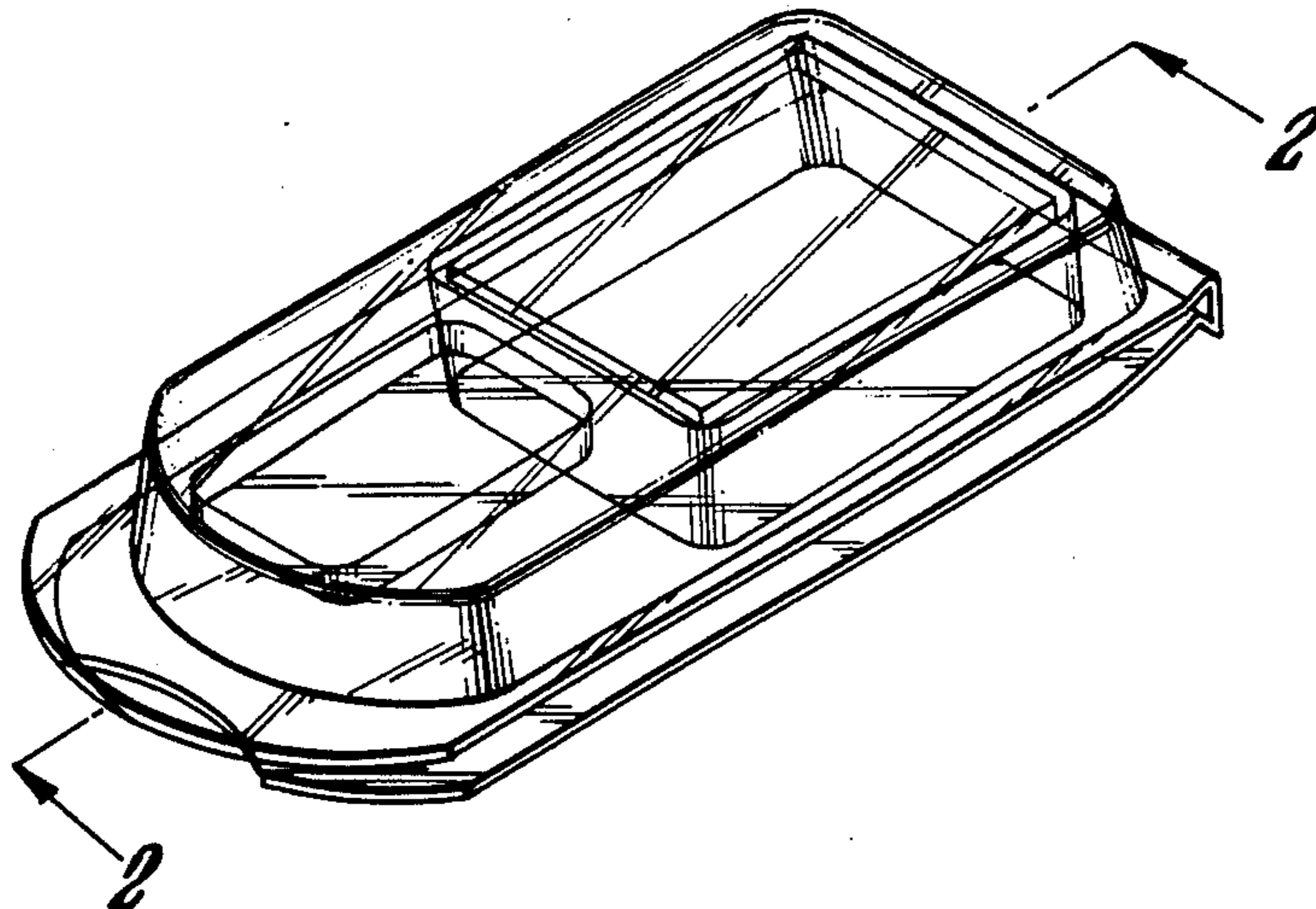
*Primary Examiner*—Bernard Ansher  
*Assistant Examiner*—Prabhakar Deshmukh  
*Attorney, Agent, or Firm*—Lyon & Lyon

[57] **CLAIM**

The ornamental design for a clam shell package, as shown and described.

**DESCRIPTION**

FIG. 1 is a perspective view of a clam shell package showing my new design;  
FIG. 2 is a sectional elevation, on lines 2—2 of FIG. 1, thereof;  
FIG. 3 is a top plan view thereof, in open position;  
FIG. 4 is a bottom plan view thereof, in open position;  
FIG. 5 is a front elevation thereof, in open position;  
FIG. 6 is a left side elevation thereof, in open position; and  
FIG. 7 is a right side elevation thereof, in open position.



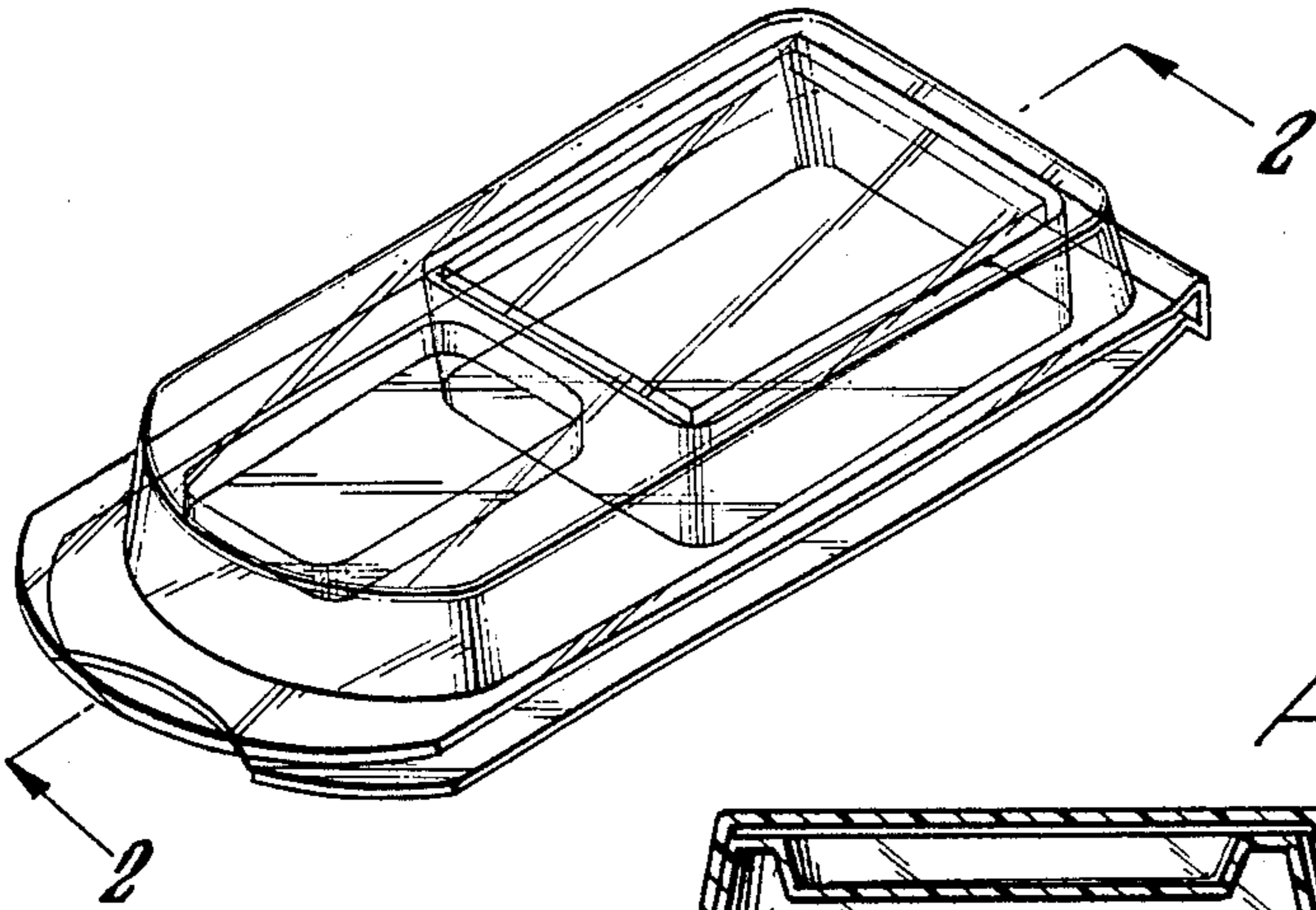


FIG. 1.

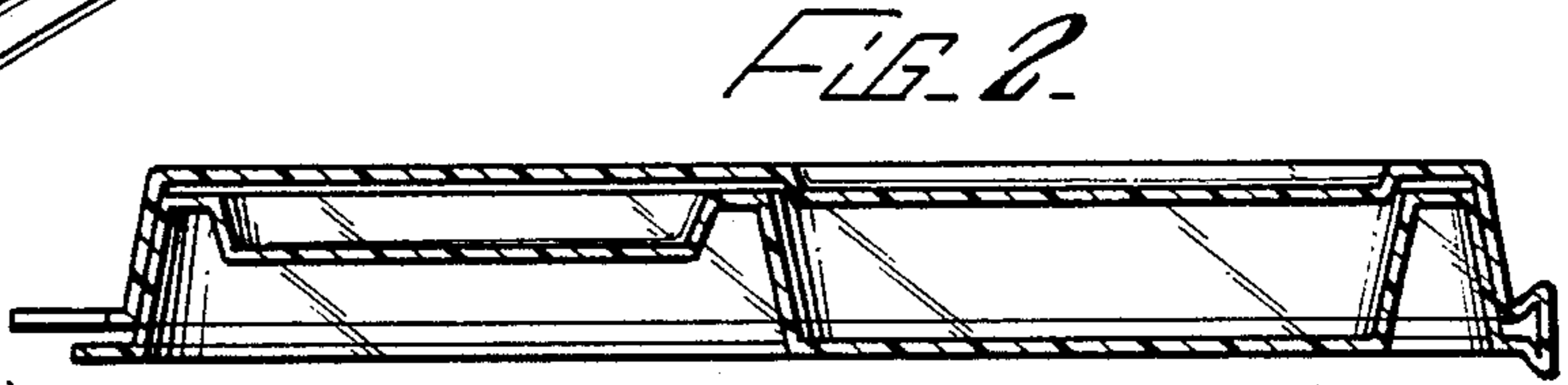


FIG. 2.

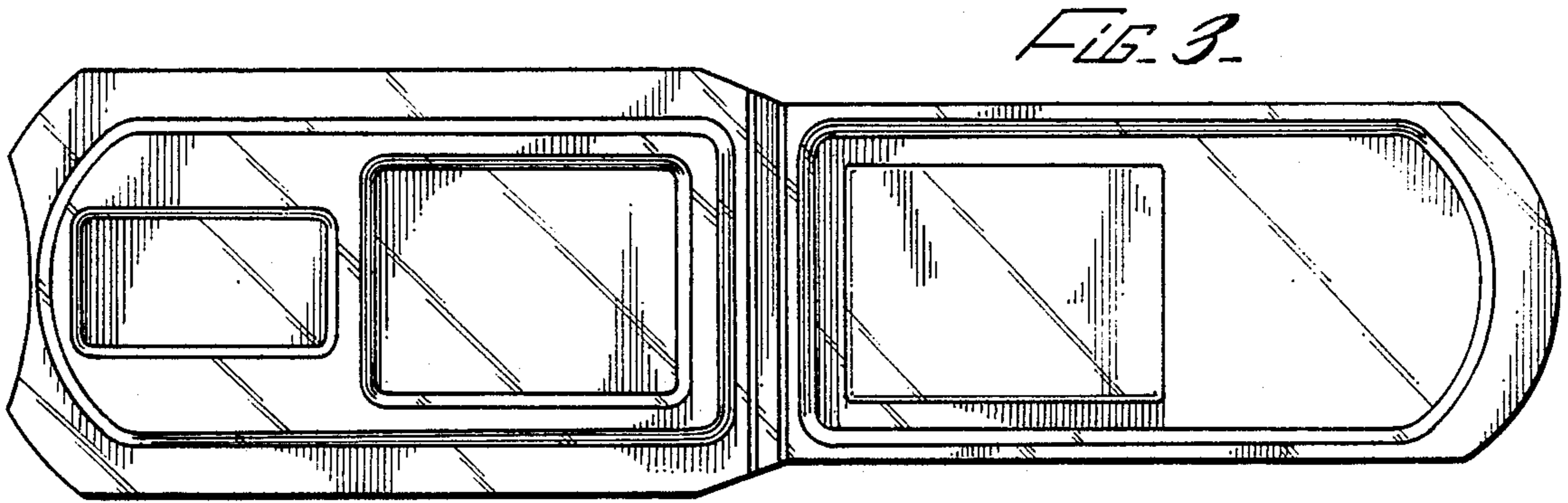


FIG. 3.

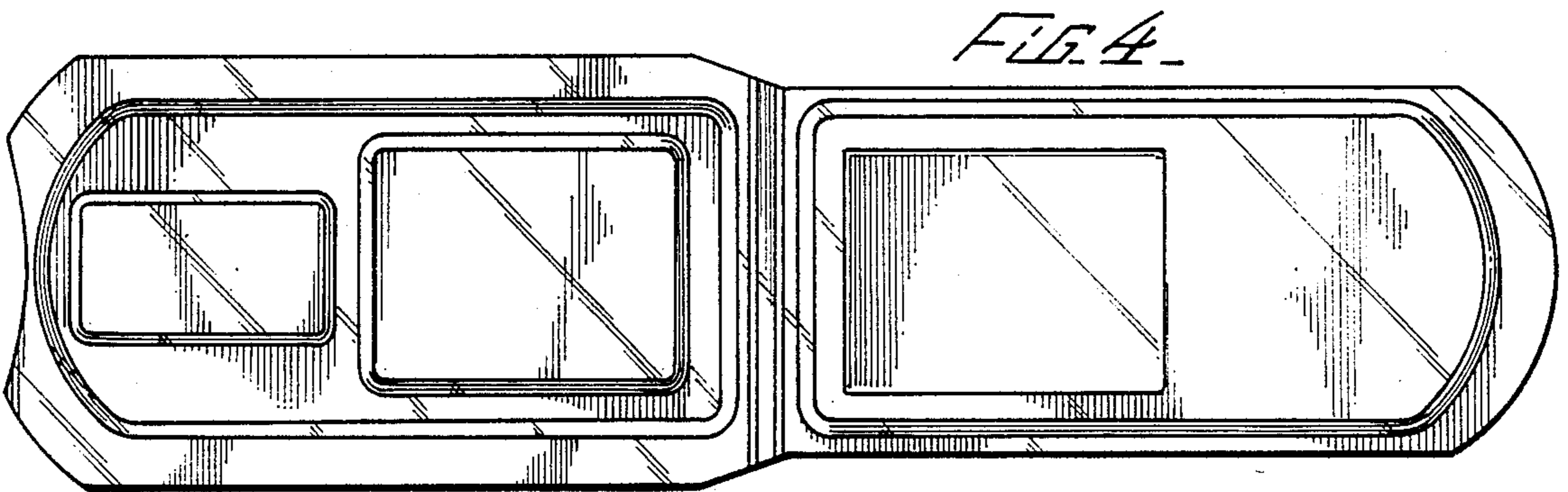


FIG. 4.

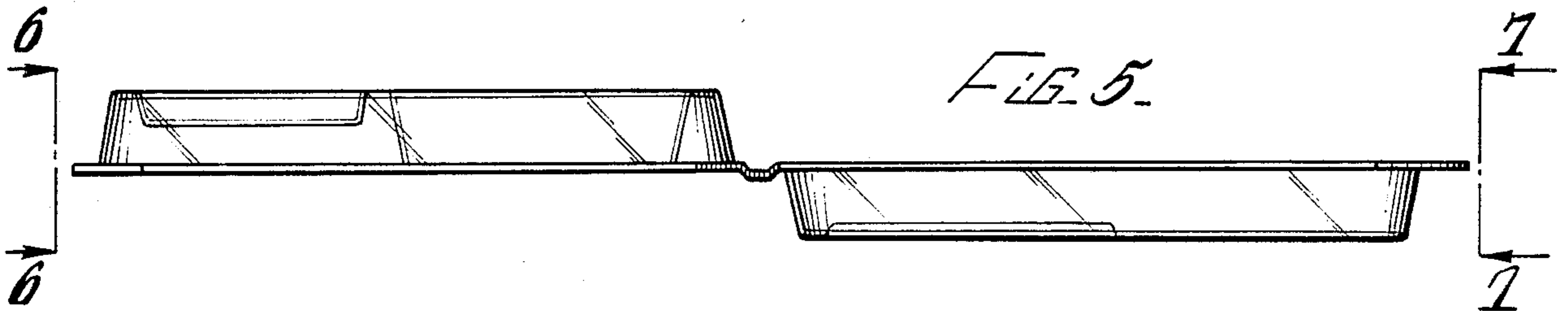


FIG. 5.

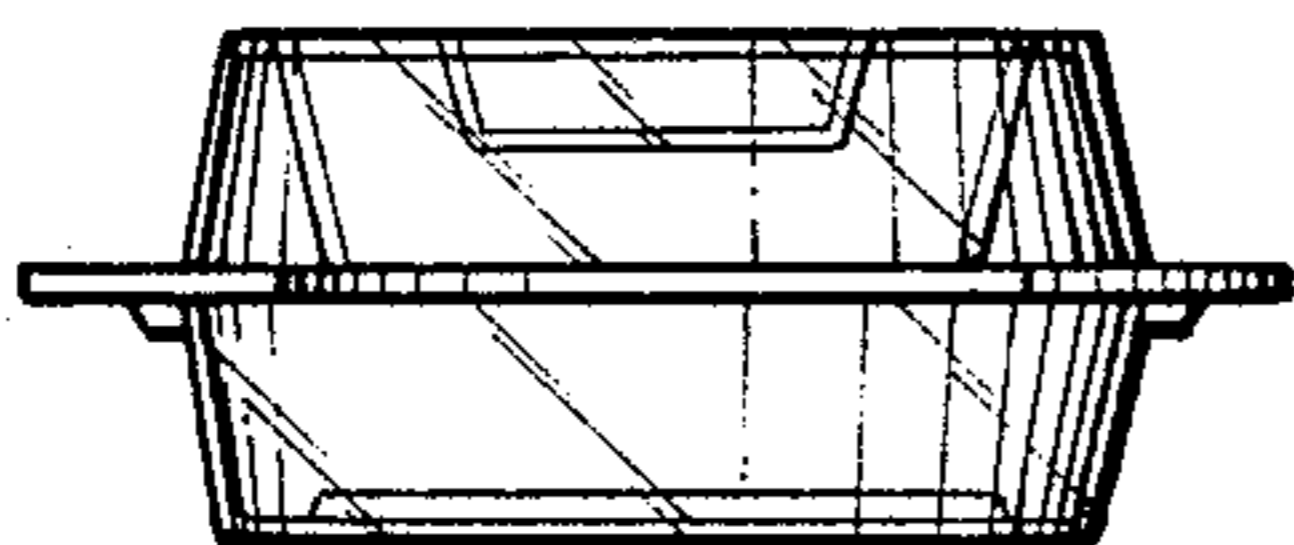


FIG. 6.

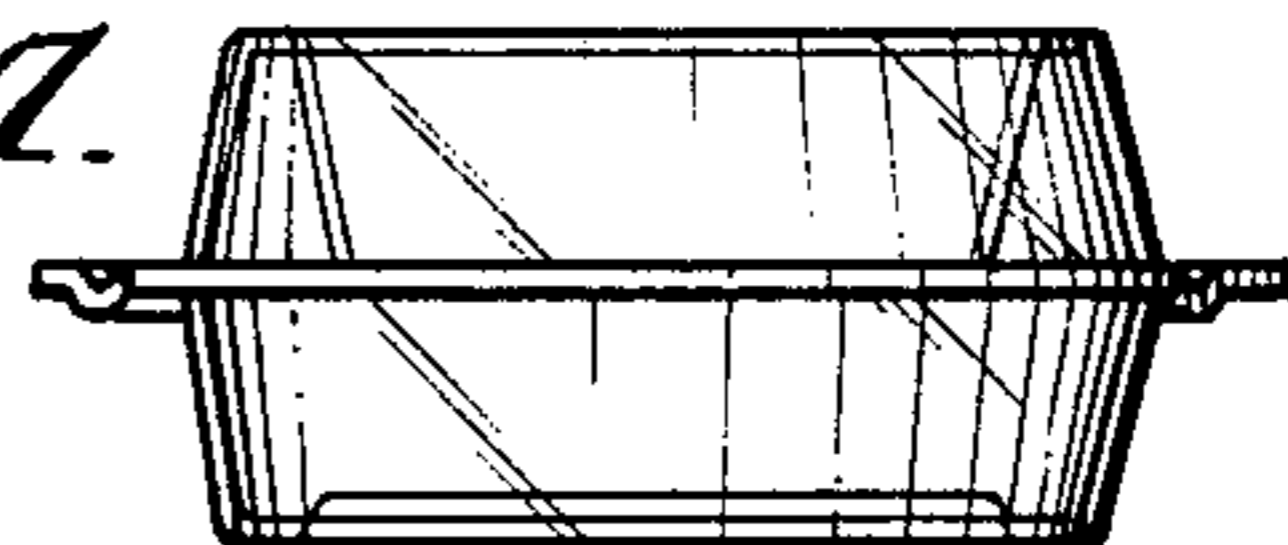


FIG. 6.