

United States Patent [19]

Gonda

[11] Patent Number: Des. 305,407

[45] Date of Patent: ** Jan. 9, 1990

[54] COMBINED DISPENSING BOTTLE AND CAP

[75] Inventor: Frank E. Gonda, Fairfield, Conn.

[73] Assignee: Lever Brothers Company, New York, N.Y.

[**] Term: 14 Years

[21] Appl. No.: 821,172

[22] Filed: Jan. 21, 1986

[52] U.S. Cl. D9/376

[58] Field of Search D9/376, 373, 374, 375, D9/352, 367, 435; 252/90; 215/1 R-1 C, 354, 325, 354; 229/431, 447, 453; 222/109, 569

[56] References Cited

U.S. PATENT DOCUMENTS

D. 231,647	5/1974	Morino .	
D. 237,838	11/1975	Meeker	D24/47
D. 247,347	2/1978	Klingman	D9/376
D. 252,795	9/1979	Campbell et al. .	
D. 277,733	2/1985	Aldrich et al.	D9/376
D. 278,030	3/1985	Drummond	D9/376
D. 279,453	7/1985	Beechuk et al.	D9/376
D. 280,488	9/1985	Lane et al.	D9/376
D. 284,353	6/1986	Prahs	D9/453

D. 292,491	10/1987	Ross	D9/447
D. 293,770	1/1988	Ross	D9/453
3,443,710	5/1969	Hills	215/1
4,269,722	5/1981	Joshi et al.	252/90
4,351,740	9/1982	Joshi et al. .	
4,444,673	4/1984	Joshi et al. .	
4,502,607	3/1985	Szajna .	
4,549,977	10/1985	Joshi et al. .	

FOREIGN PATENT DOCUMENTS

54-9322 11/1980 Japan .

Primary Examiner—Louis S. Zarfes

Assistant Examiner—R. T. Seifert

Attorney, Agent, or Firm—Gerard J. McGowan, Jr.

[57] CLAIM

The ornamental design for a combined dispensing bottle and cap, as shown and described.

DESCRIPTION

FIG. 1 is a front elevation of a combined dispensing bottle and cap therefor, showing my new design; FIG. 2 is a right side elevation thereof; FIG. 3 is a left side elevation thereof; FIG. 4 is a top plan view thereof; FIG. 5 is a bottom plan view thereof; and, FIG. 6 is an exploded perspective view thereof with the cap member shown separately for clarity of illustration.

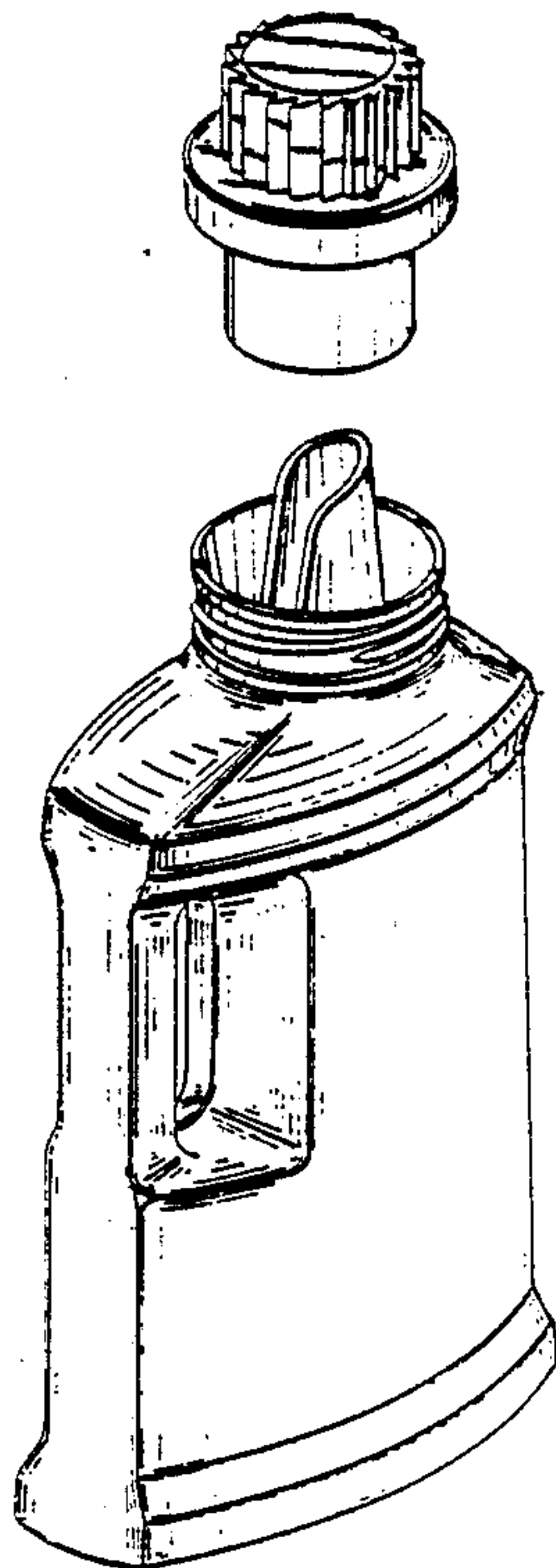


FIG. 1

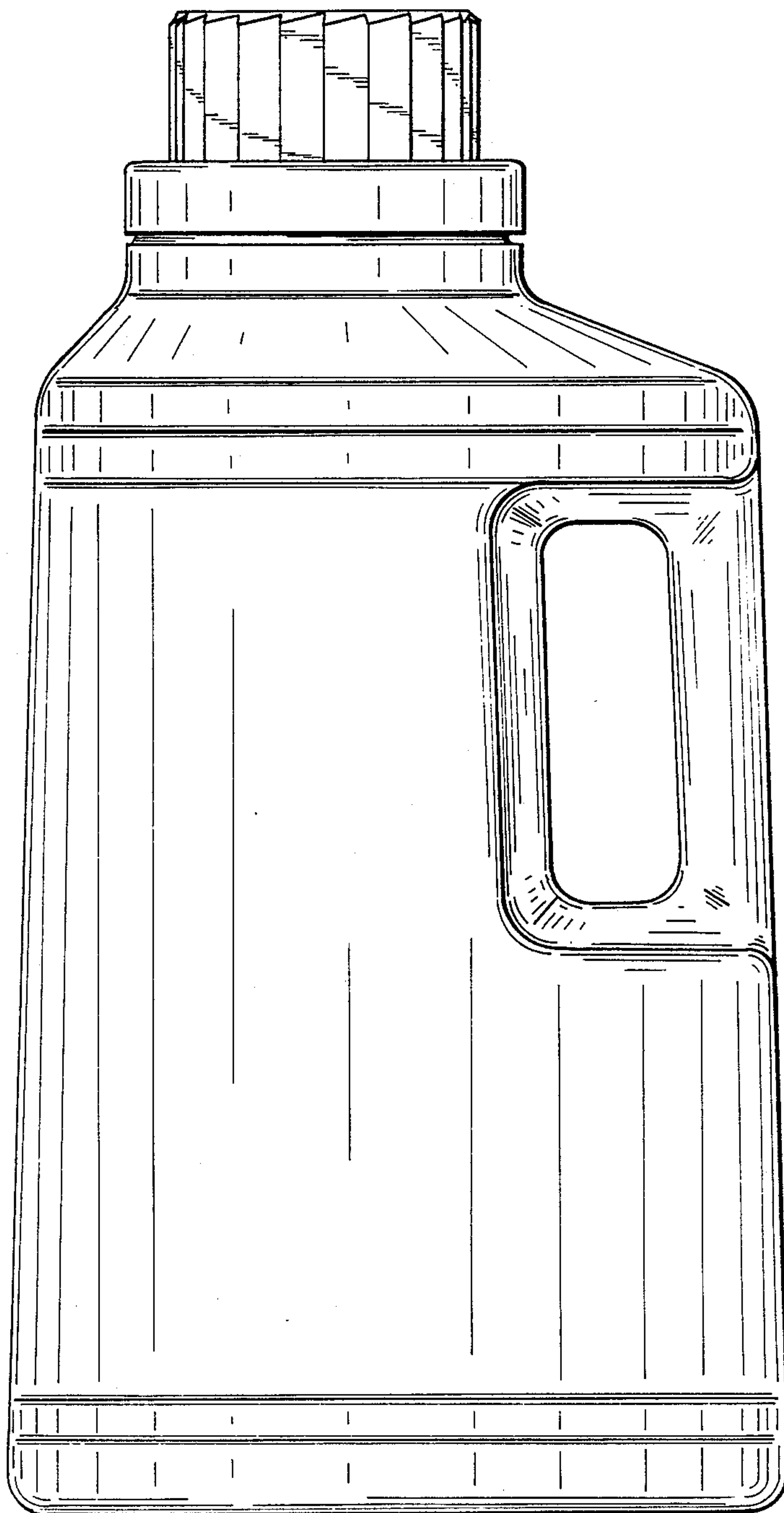


FIG. 2

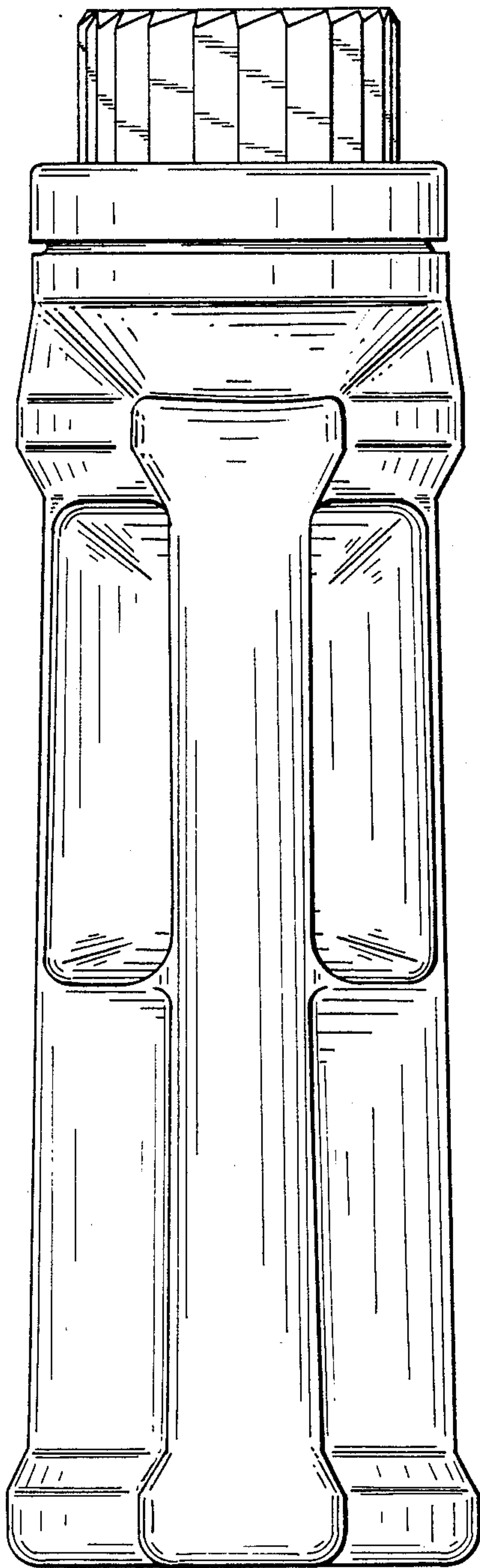


FIG. 3

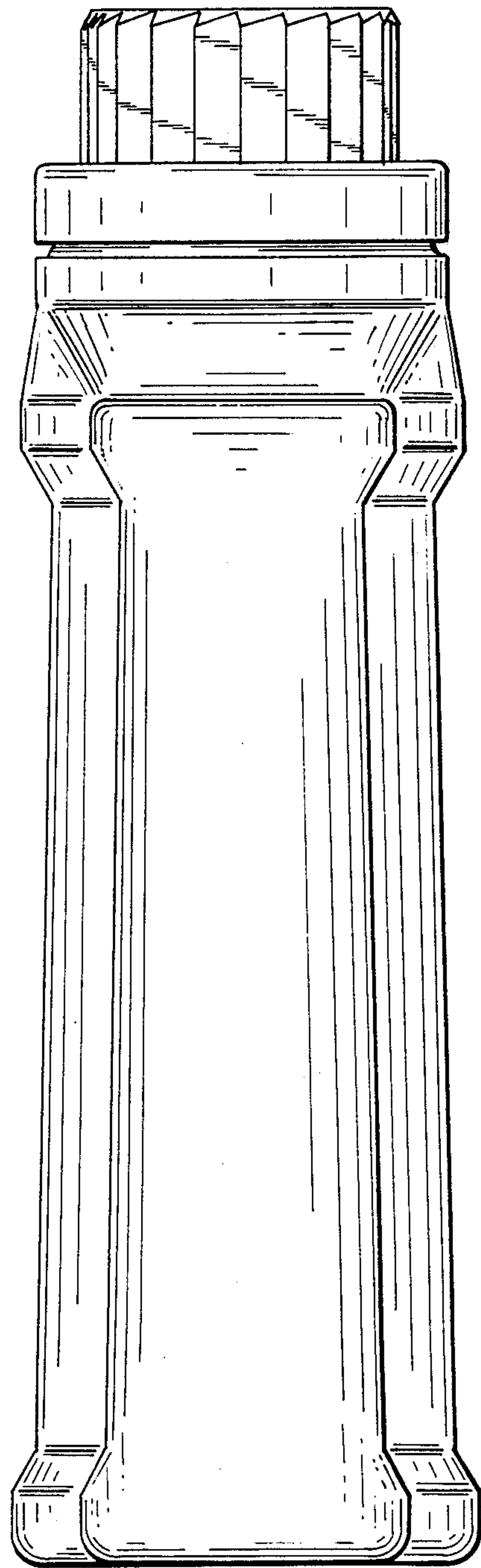


FIG. 4

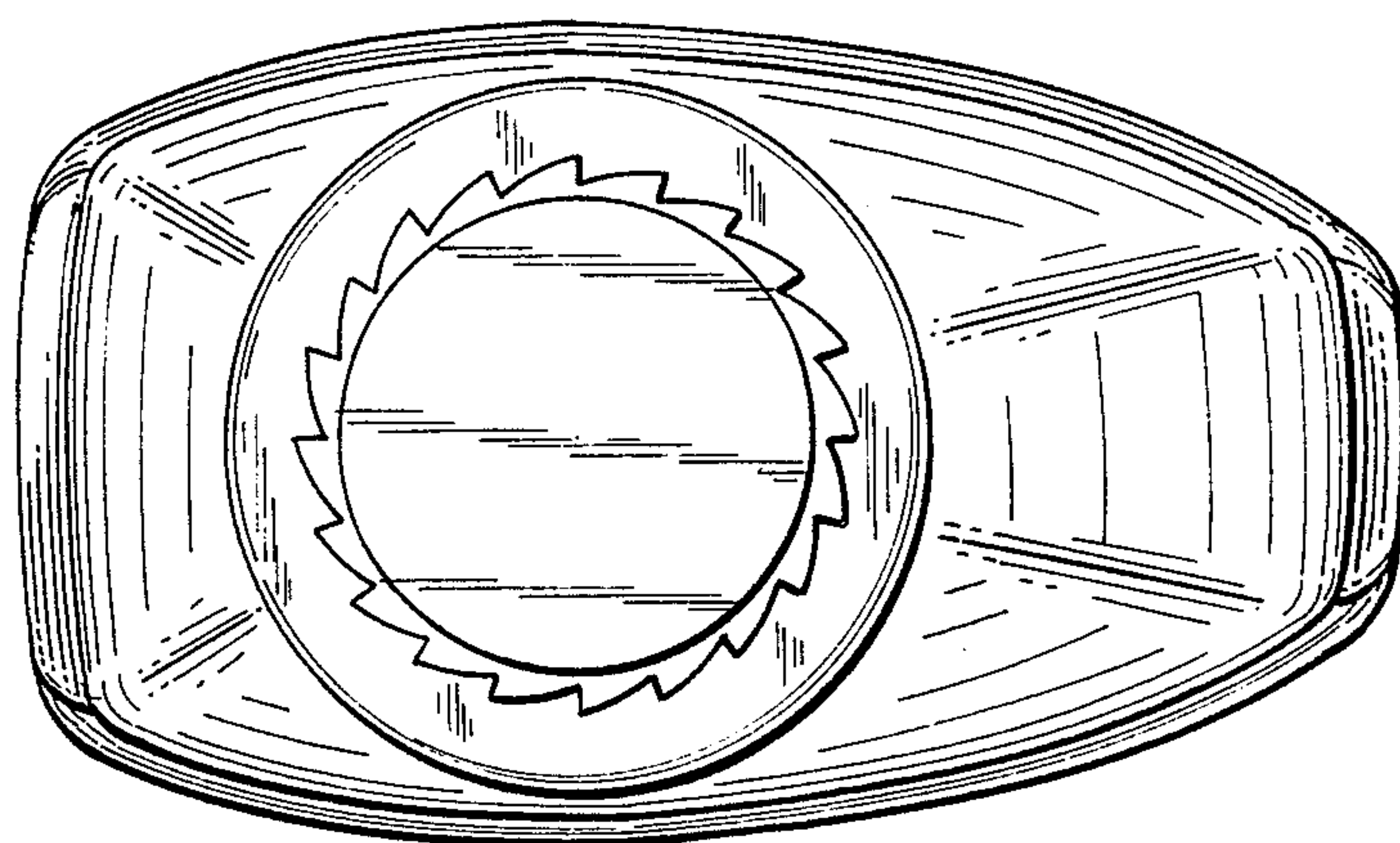


FIG. 5

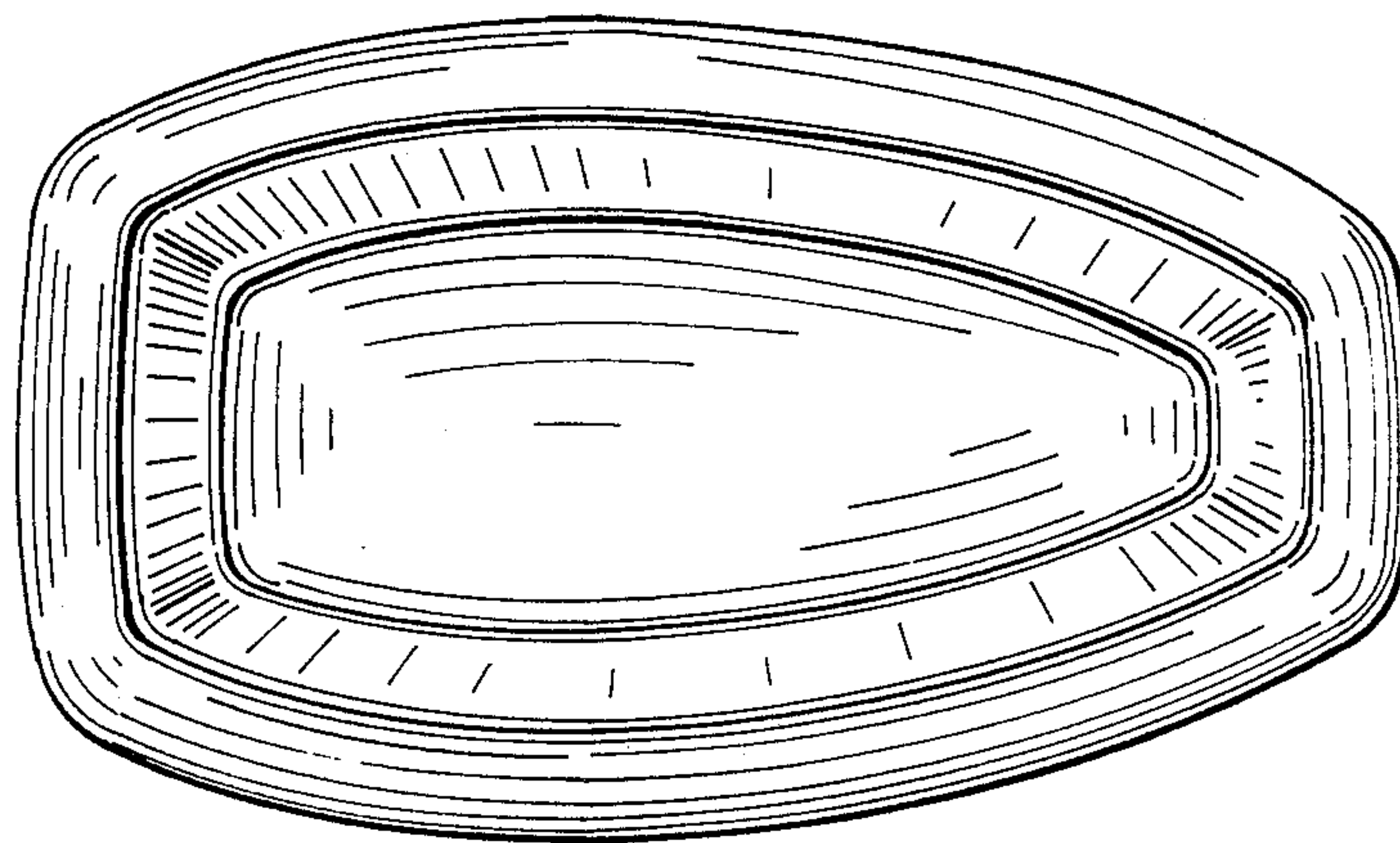


FIG. 6

