

United States Patent [19]

Novak

[11] Patent Number: **Des. 305,402**

[45] Date of Patent: **** Jan. 9, 1990**

[54] **CLAMP FOR HOLDING A TOWEL OR THE LIKE ON A BAR**

[76] Inventor: **David M. Novak, 1894**
Commercenter, Ste. 201, P.O. Box
5865, San Bernardino, Calif. 92412

[**] Term: **14 Years**

[21] Appl. No.: **119,989**

[22] Filed: **Nov. 13, 1987**

[52] U.S. Cl. **D8/395; D6/550;**
D8/333; D8/396

[58] Field of Search **D8/394-396,**
D8/333; D6/550; 211/124, 6; 24/530, 545, 546

[56] **References Cited**

U.S. PATENT DOCUMENTS

139,285	5/1873	Wheeler	24/545
1,061,412	5/1913	Semon	24/509
1,124,931	1/1915	McClellan	211/6
1,227,965	5/1917	Sherman	211/124
1,369,310	2/1921	Lade Veze	211/124

2,058,416	10/1936	Comstock	24/530
2,792,612	5/1957	Wickliffe	24/339
4,583,269	4/1986	Harris	24/509

OTHER PUBLICATIONS

Sterling Rotary Shackle Padlock pamphlet, p. 1; large padlock w/chain.

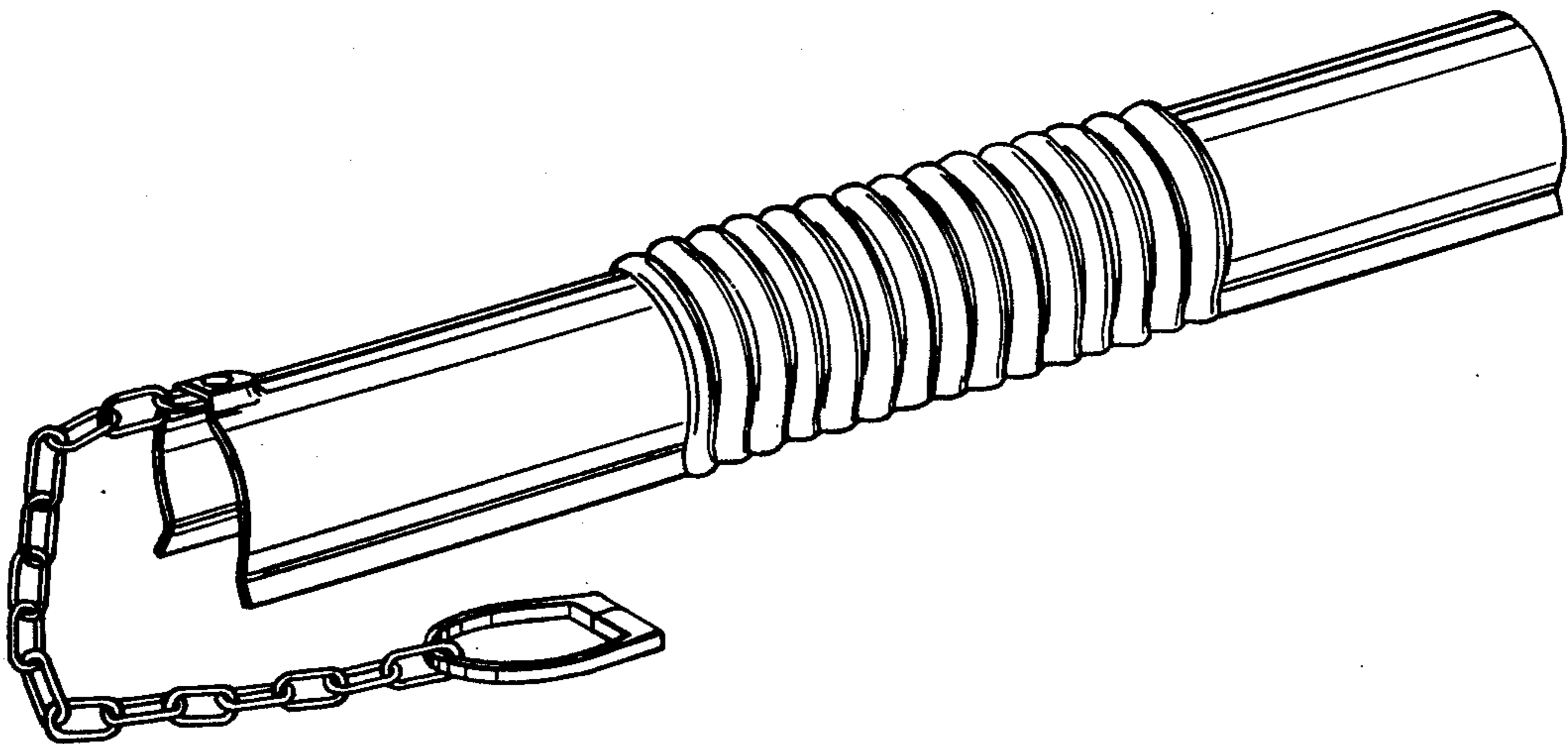
Primary Examiner—B. J. Bullock
Attorney, Agent, or Firm—Brown, Martin, Haller & McClain

[57] **CLAIM**

The ornamental design for a clamp for holding a towel or the like on a bar, as shown.

DESCRIPTION

FIG. 1 is a perspective view of a clamp for holding a towel or the like on a bar, showing my new design; FIG. 2 is a side elevational view taken from the side opposite that shown in FIG. 1; FIG. 3 is a bottom plan view thereof; FIG. 4 is an end elevational view taken from the right of FIG. 1.



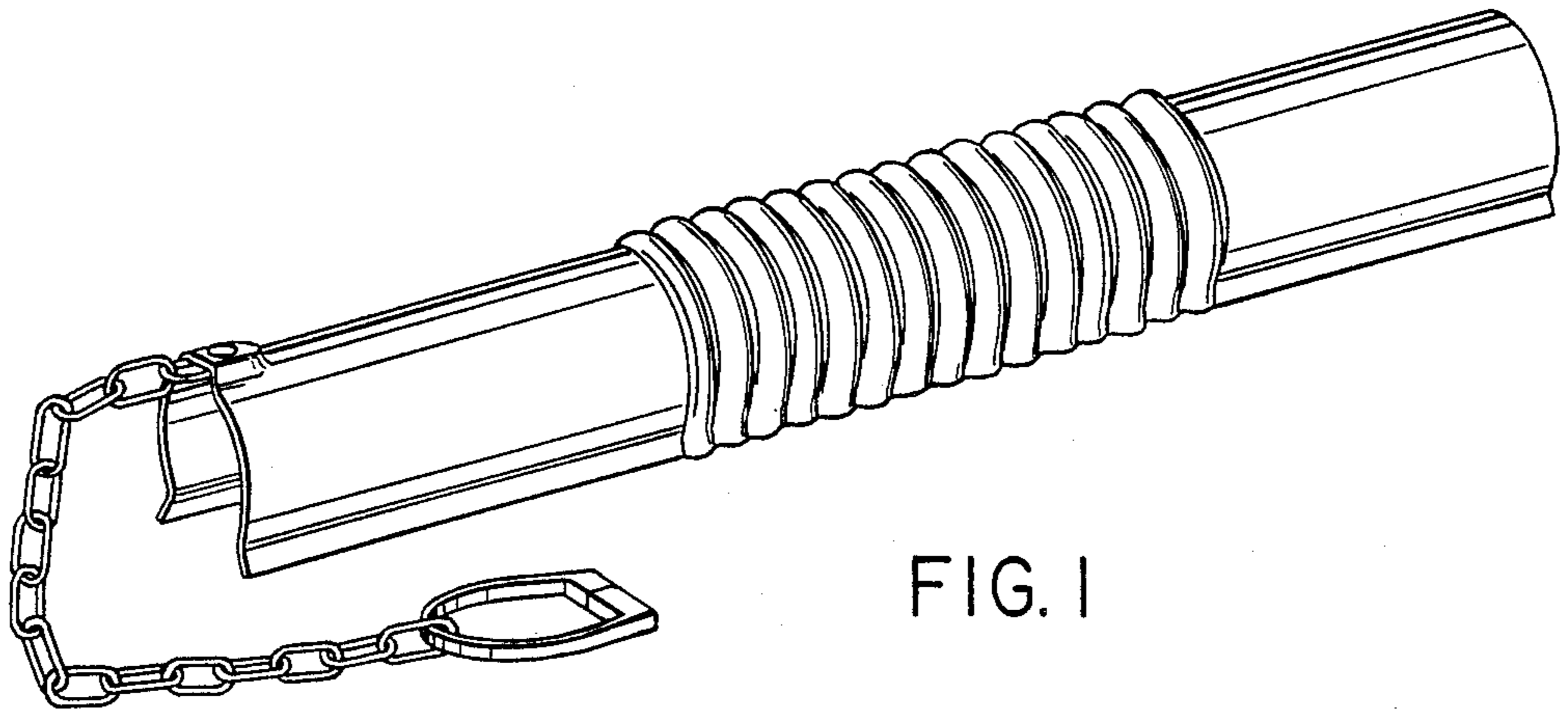


FIG. 1

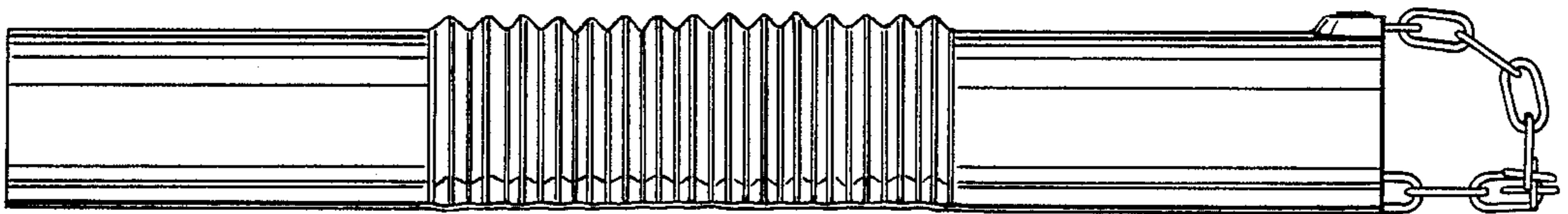


FIG. 2

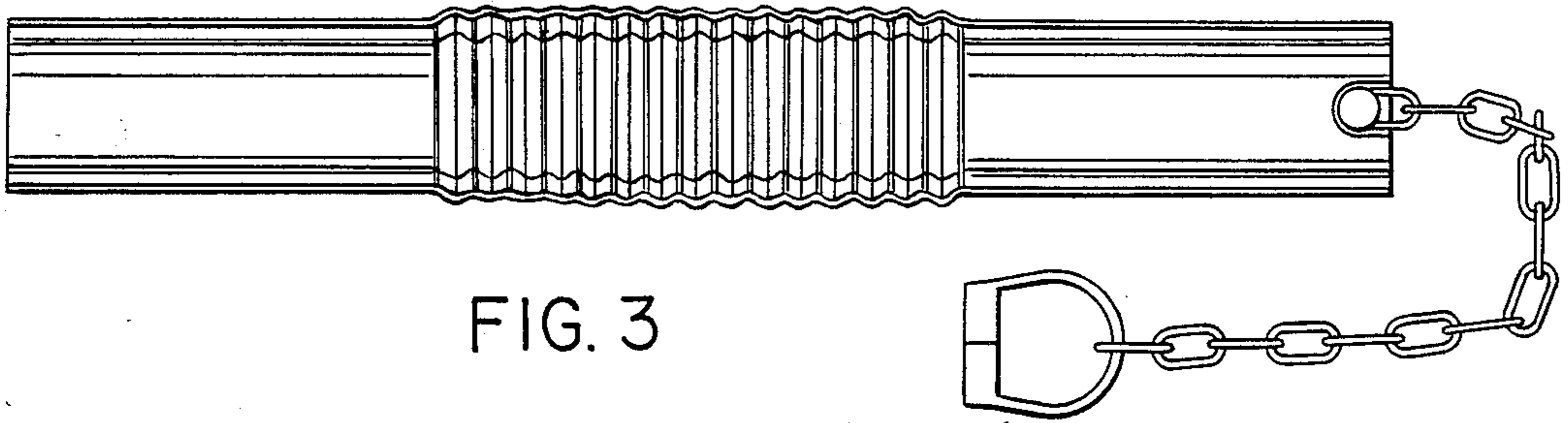


FIG. 3

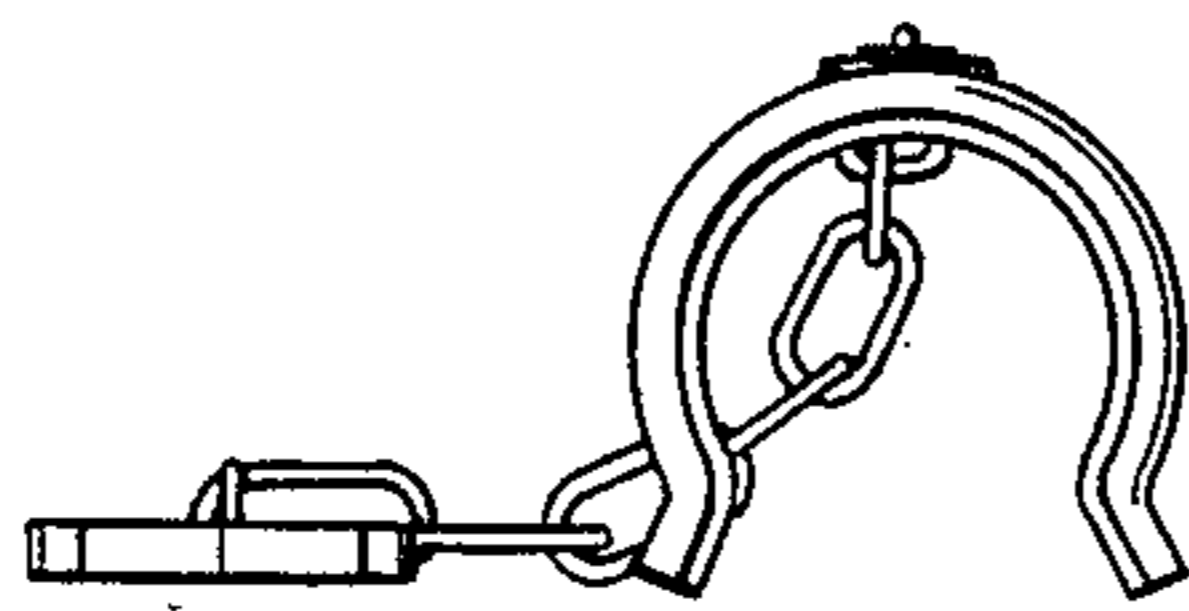


FIG. 4