

United States Patent [19]

Petrovich

[11] Patent Number: **Des. 305,400**

[45] Date of Patent: **** Jan. 9, 1990**

[54] **HAND HELD SANDER**

[76] Inventor: **Richard L. Petrovich, 6413 Fordwick Rd., Parma Hts., Ohio 44130**

[**] Term: **14 Years**

[21] Appl. No.: **93,395**

[22] Filed: **Sep. 4, 1987**

2,547,837	4/1951	Robbins	51/392
3,063,208	12/1962	Bell et al.	
3,106,806	10/1963	Hutchins	
3,170,272	2/1965	Burnham	
3,465,479	9/1969	Foody et al.	
3,510,991	5/1970	Bowen	
3,619,949	11/1971	Welsch et al.	51/170 EB
4,525,959	7/1985	Ziebarth et al.	
4,730,430	3/1988	Petrovich	51/391

Related U.S. Application Data

[63] Continuation of Ser. No. 845,549, Mar. 28, 1986.
[52] U.S. Cl. **D8/90**
[58] Field of Search **D8/14, 61, 62, 90-93;**
51/107 R, 107 EB, 370-372, 391-393, 384, 211
R, 212; 29/80, 81 H, 81 J, 81 L; D28/59

[56] References Cited

U.S. PATENT DOCUMENTS

713,199	11/1902	Brainard	
1,274,928	8/1918	Muller	
2,189,302	2/1940	Stachelrodt	51/392
2,189,307	2/1940	Bierma	51/391
2,457,466	12/1948	Hanna	
2,493,852	1/1950	Bonkowski	
2,531,588	12/1950	Stucker	

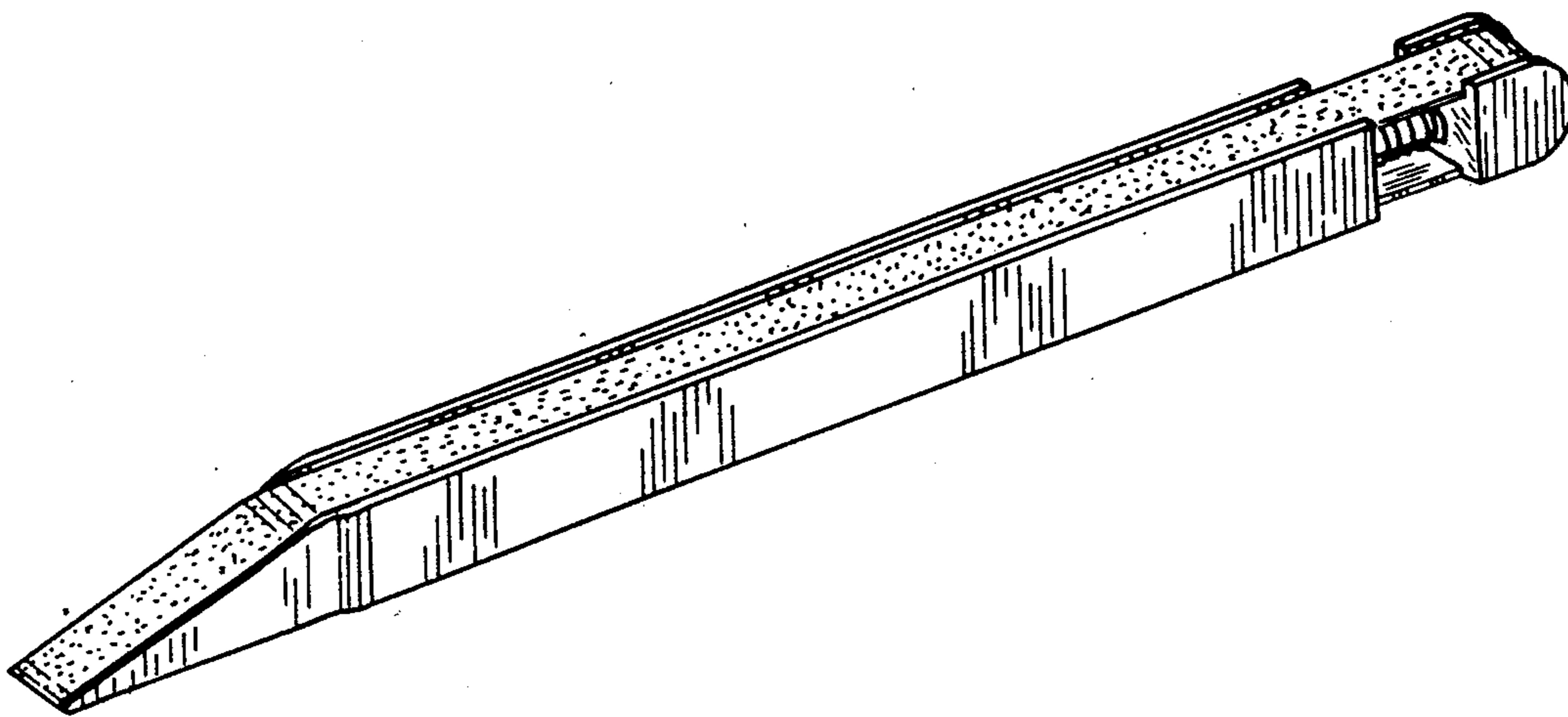
Primary Examiner—Bruce W. Dunkins
Assistant Examiner—Clare E. Heflin
Attorney, Agent, or Firm—D. Peter Hochberg; Mark Kusner; Louis J. Weisz

[57] CLAIM

The ornamental design for a hand-held sander, as shown and described.

DESCRIPTION

FIG. 1 is a perspective view of a hand-held sander showing my new design;
FIG. 2 is a top plan view thereof;
FIG. 3 is a side elevational view thereof, the opposite side being a mirror image;
FIG. 4 is a bottom plan view thereof;
FIG. 5 is an end elevational view thereof;
FIG. 6 is an opposite end elevational view thereof.



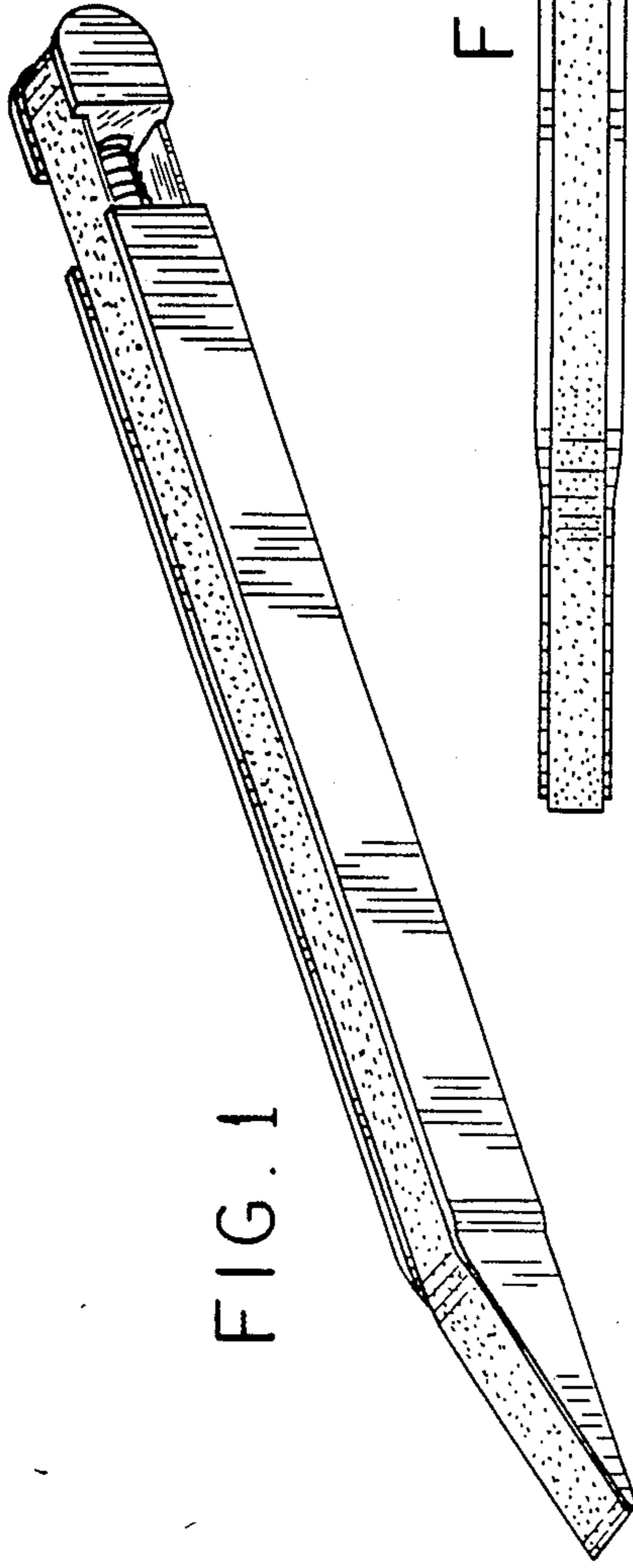


FIG. 1

FIG. 2

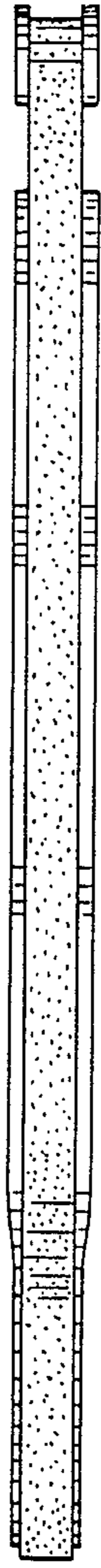


FIG. 3



FIG. 5



FIG. 4

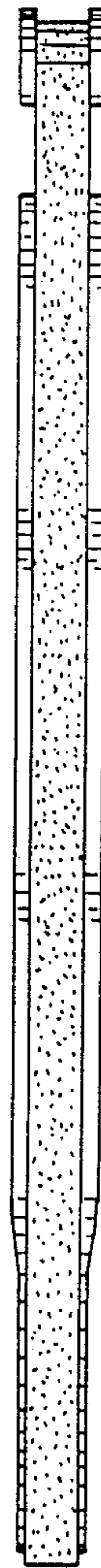


FIG. 6

