

[54] ELECTRIC DISC GRINDER

[75] Inventors: Fusao Fushiya; Hirokazu Kimata, both of Anjo, Japan

[73] Assignee: Makita Electric Works, Ltd., Anjo, Japan

[\*\*] Term: 14 Years

[21] Appl. No.: 86,838

[22] Filed: Aug. 19, 1987

[30] Foreign Application Priority Data

Feb. 24, 1987 [JP] Japan ..... 62-6861
[52] U.S. Cl. .... D8/62
[58] Field of Search ..... D8/61, 62, 67, 69, 70; 51/170 T, 170 R, 170 TL, 170 EB, 170 MT, 177; 29/80, 81 H, 81 J, 81 L

[56] References Cited

U.S. PATENT DOCUMENTS

D. 217,427 5/1970 Slany ..... D8/62
D. 218,277 8/1970 Boldt ..... D8/62
D. 255,417 6/1980 Sakamoto et al. .... D8/62
3,585,427 6/1971 Paule ..... 51/170 T
4,489,525 12/1984 Heck ..... 51/170 R

FOREIGN PATENT DOCUMENTS

294124 1/1969 Japan .

294124-1 5/1971 Japan .
368054 5/1973 Japan .
495306 11/1978 Japan .
536418 5/1980 Japan .

OTHER PUBLICATIONS

Construction Methods & Equipment, May 1960, p. 28, Milwaukee's Sander/Grinder, #6100. Black & Decker Brochure, Form #1451, pp. 6,7, "Angle Grinder" No. 4232.

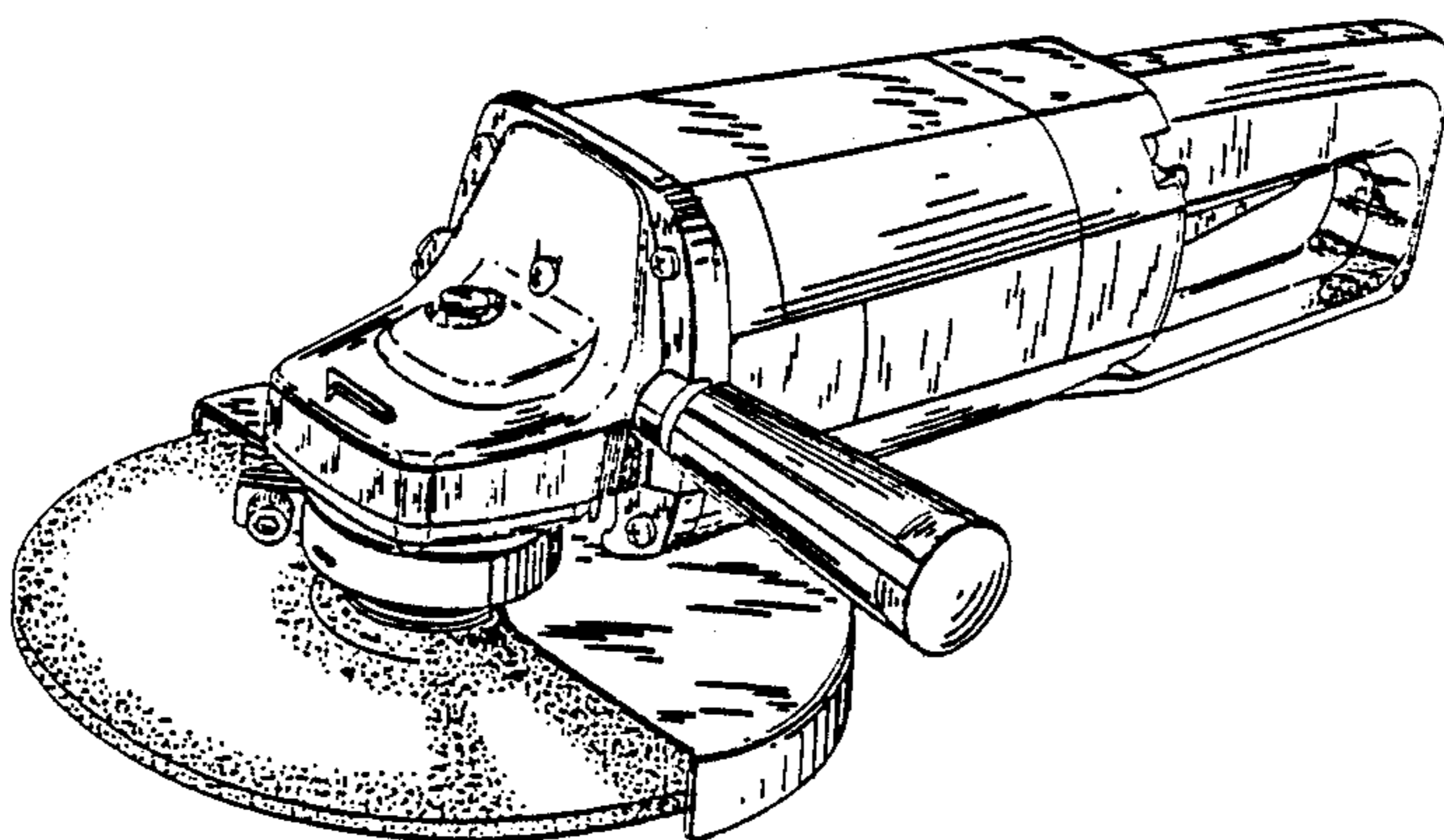
Primary Examiner—Nelson C. Holtje
Assistant Examiner—Clare E. Heflin
Attorney, Agent, or Firm—Dennison, Meserole, Pollack & Scheiner

[57] CLAIM

The ornamental design for an electric disc grinder, as shown and described.

DESCRIPTION

FIG. 1 is a perspective view of an electric disc grinder showing our new design; FIG. 2 is a front elevational view thereof; FIG. 3 is a rear elevational view thereof; FIG. 4 is a side elevational view thereof taken from the left side of FIG. 2; FIG. 5 is a side elevational view thereof taken from the right side of FIG. 2; FIG. 6 is a top plan view thereof; and FIG. 7 is a bottom plan view thereof.



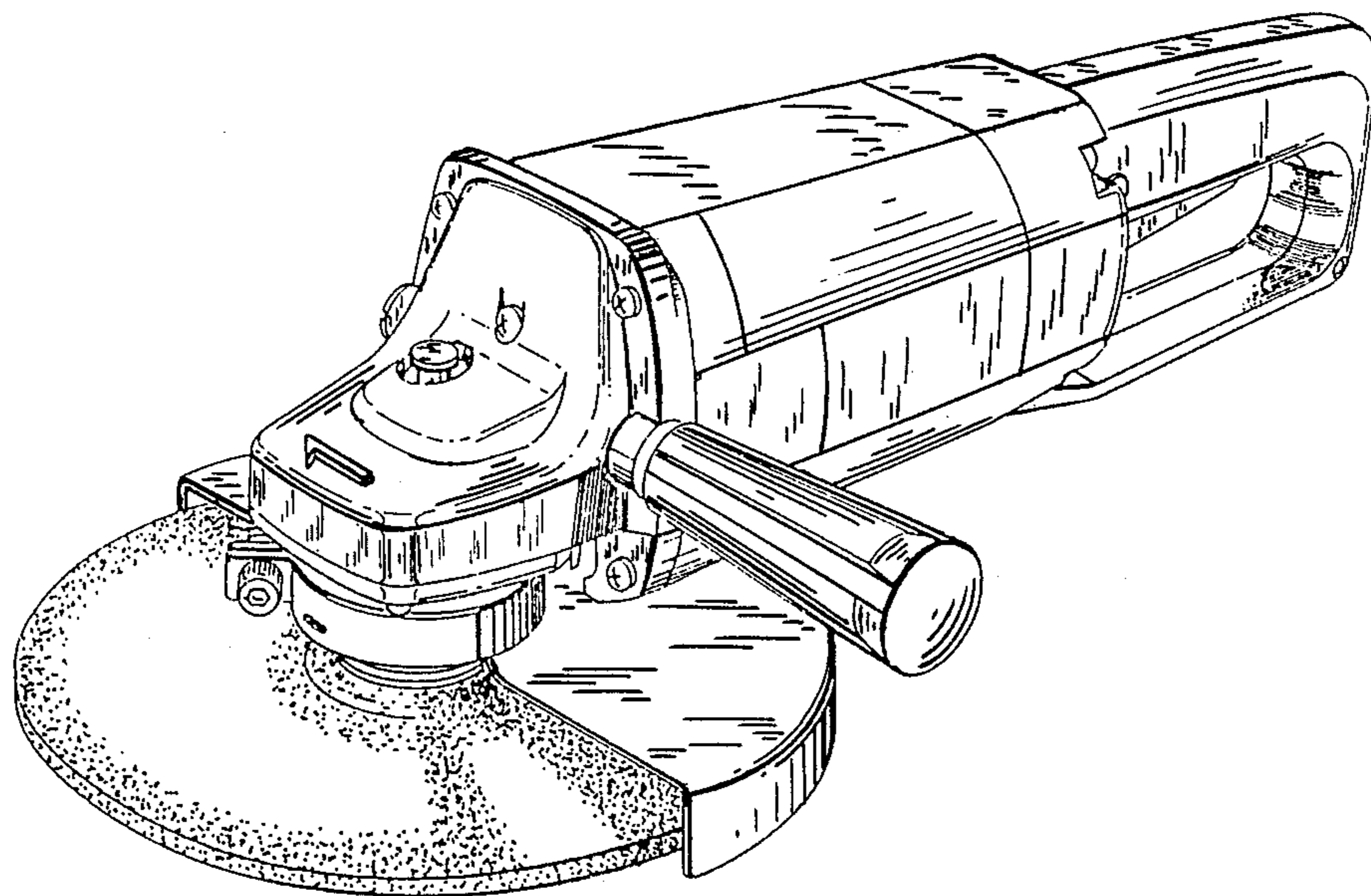


FIG. 1

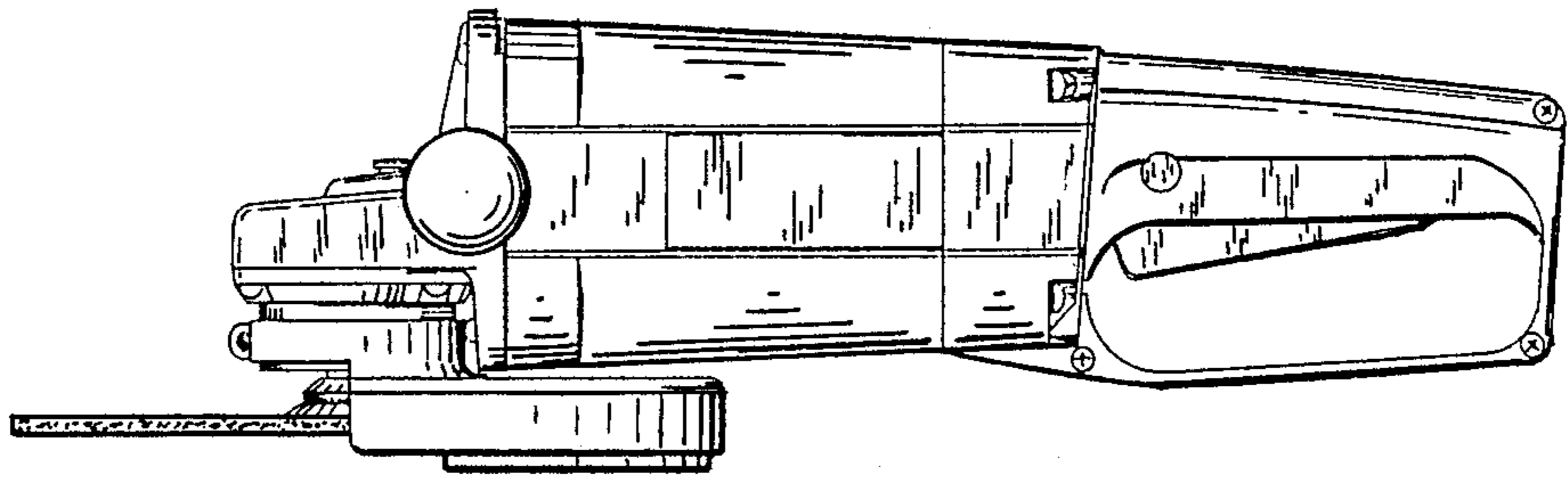


FIG. 2

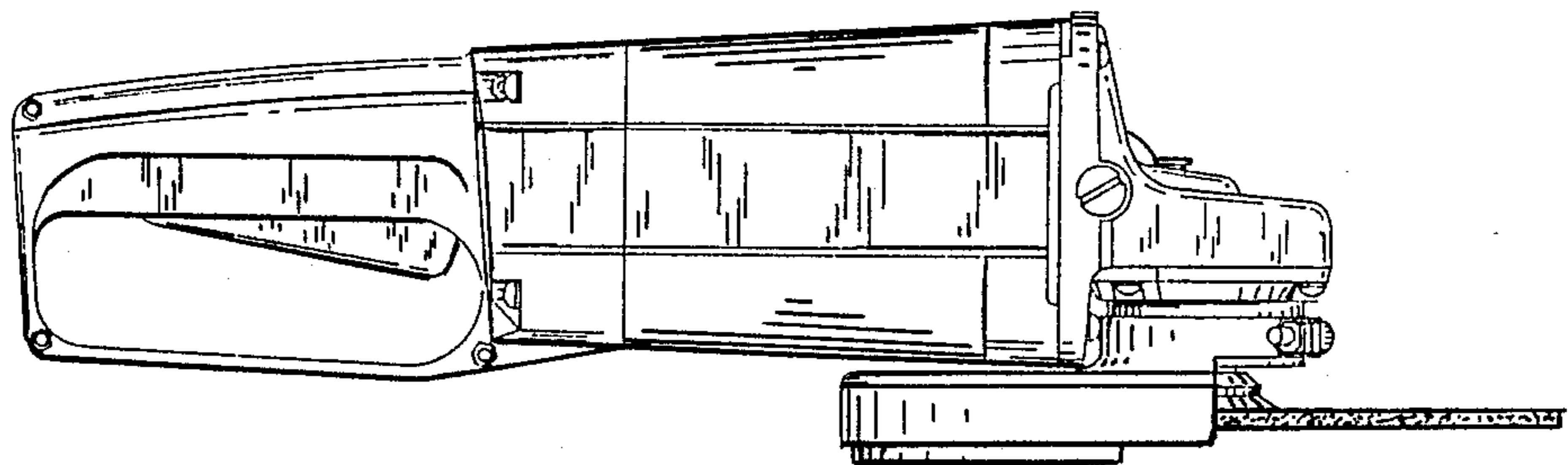


FIG. 3

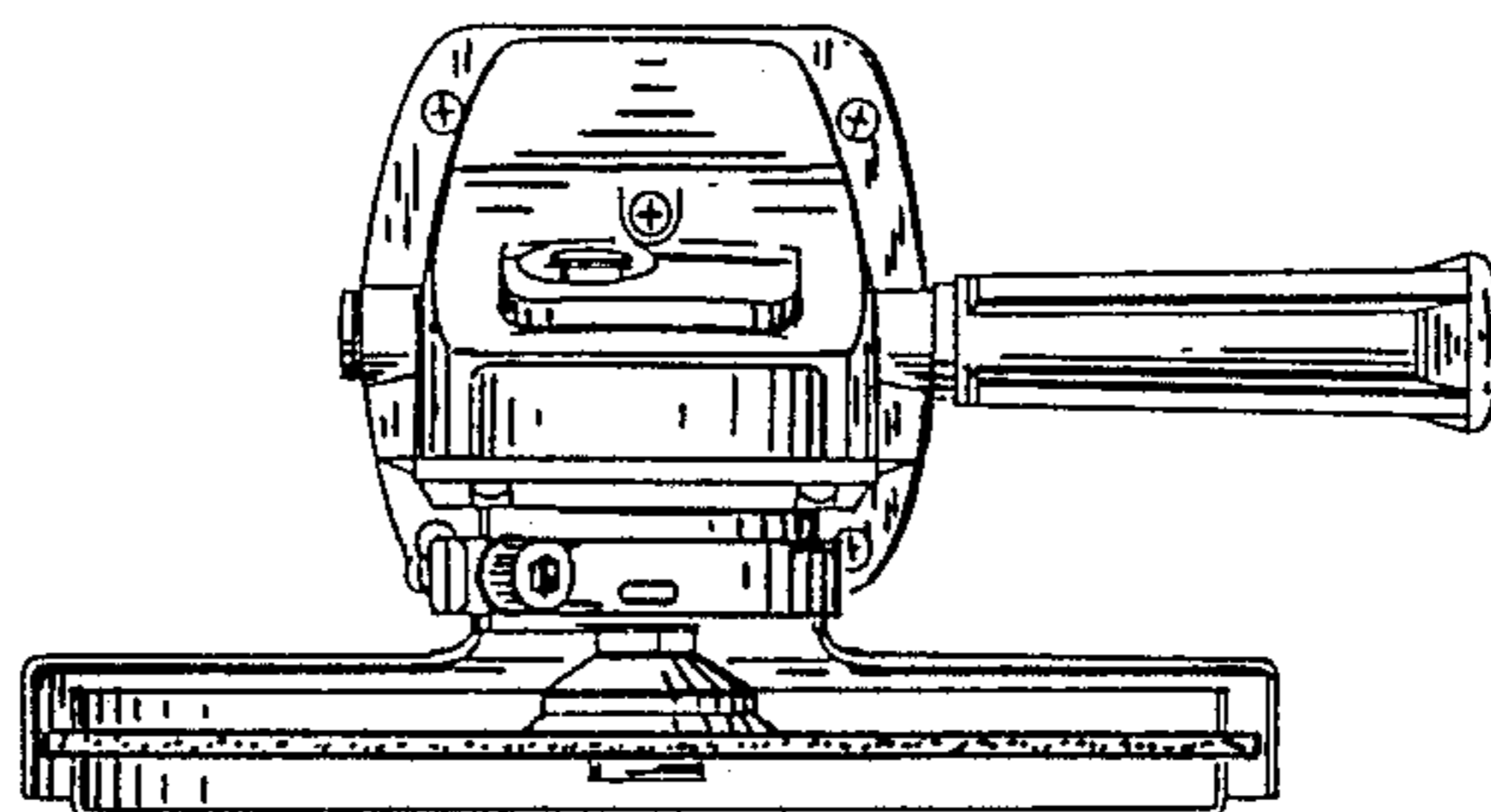


FIG. 4

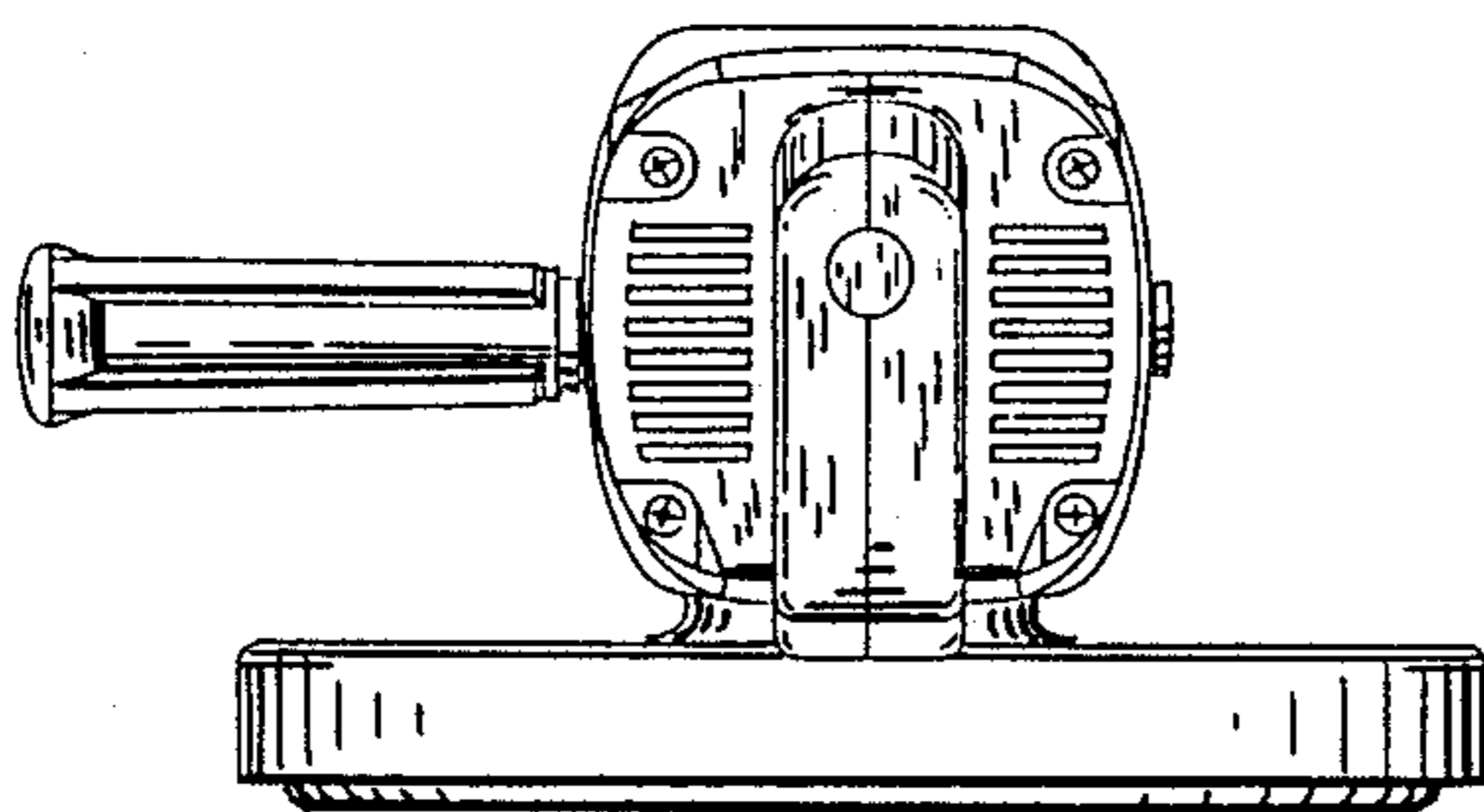


FIG. 5

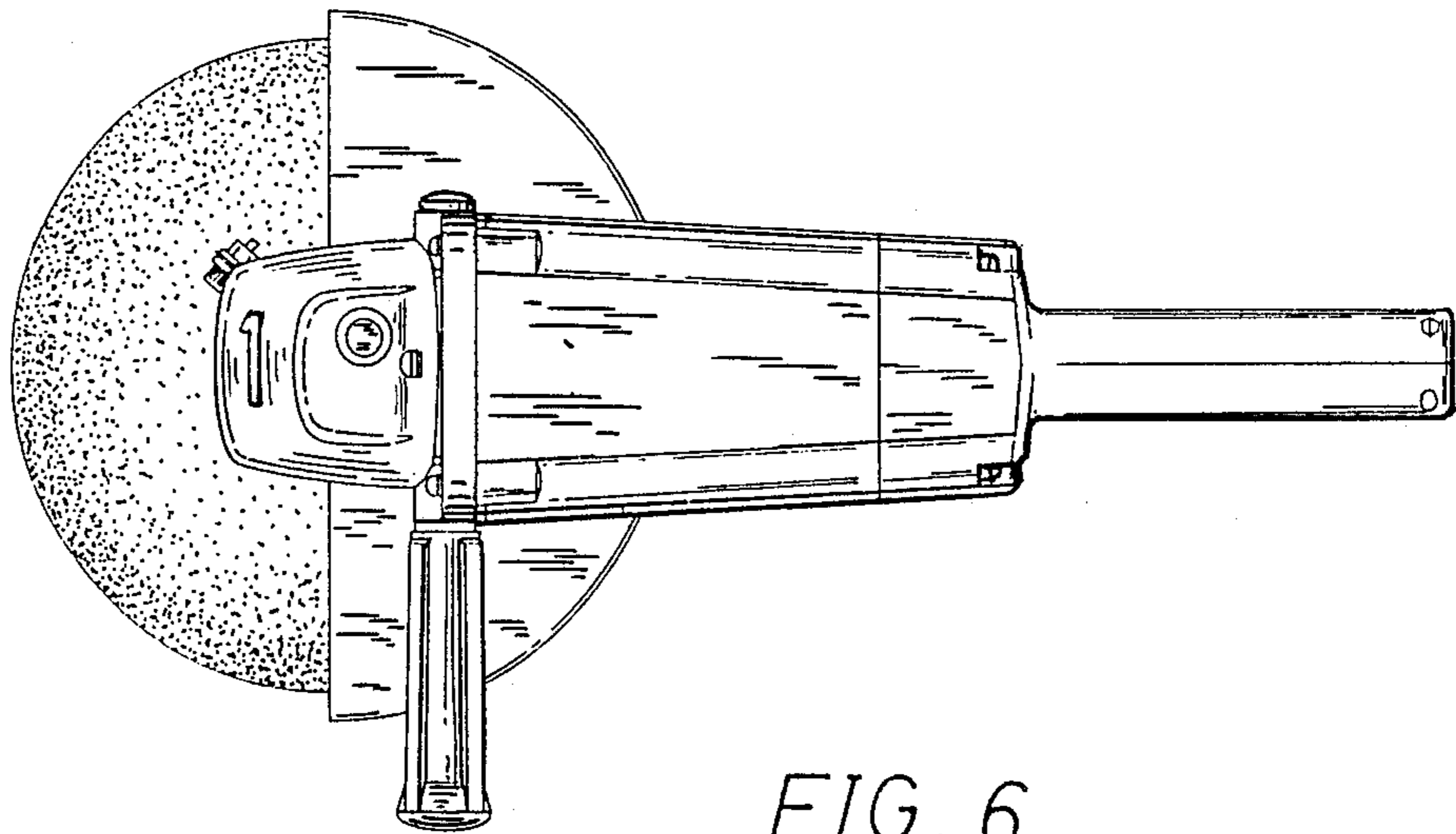


FIG. 6

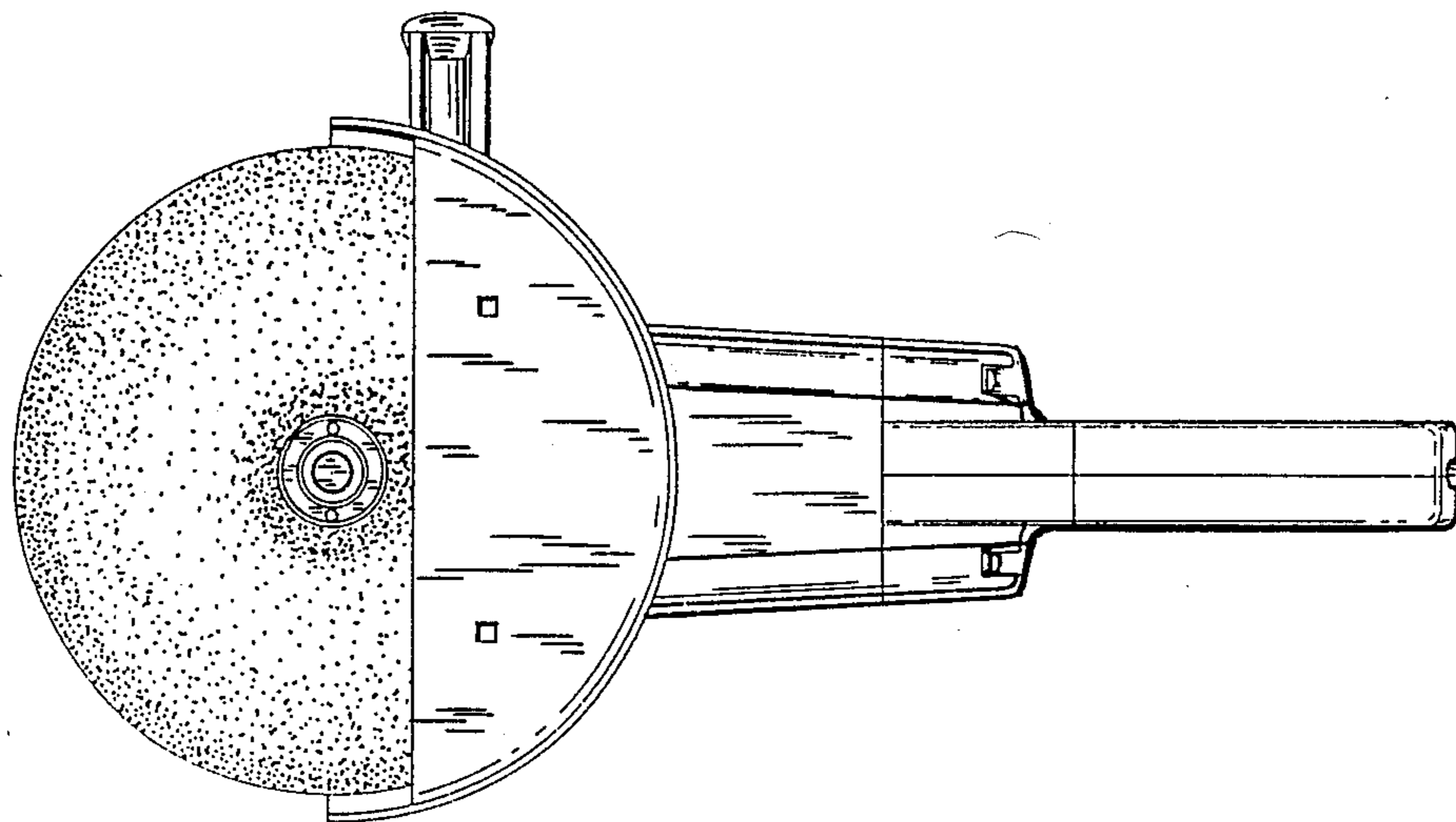


FIG. 7