

[54] BOTTLE HOLDER

[76] Inventor: Charles Steelman, 803 E. 4th St., Denver City, Tex. 79323

[**] Term: 14 Years

[21] Appl. No.: 857,808

[22] Filed: Apr. 28, 1986

[52] U.S. Cl. D7/70

[58] Field of Search D7/70, 71; 211/71, 74; 248/311.3

[56] References Cited

U.S. PATENT DOCUMENTS

D. 256,081	7/1980	Patterson	D7/71
1,421,705	7/1922	Melish	D7/71
2,419,040	4/1947	Stepanian	211/74

2,749,004 6/1956 Hilts et al. 211/74 X

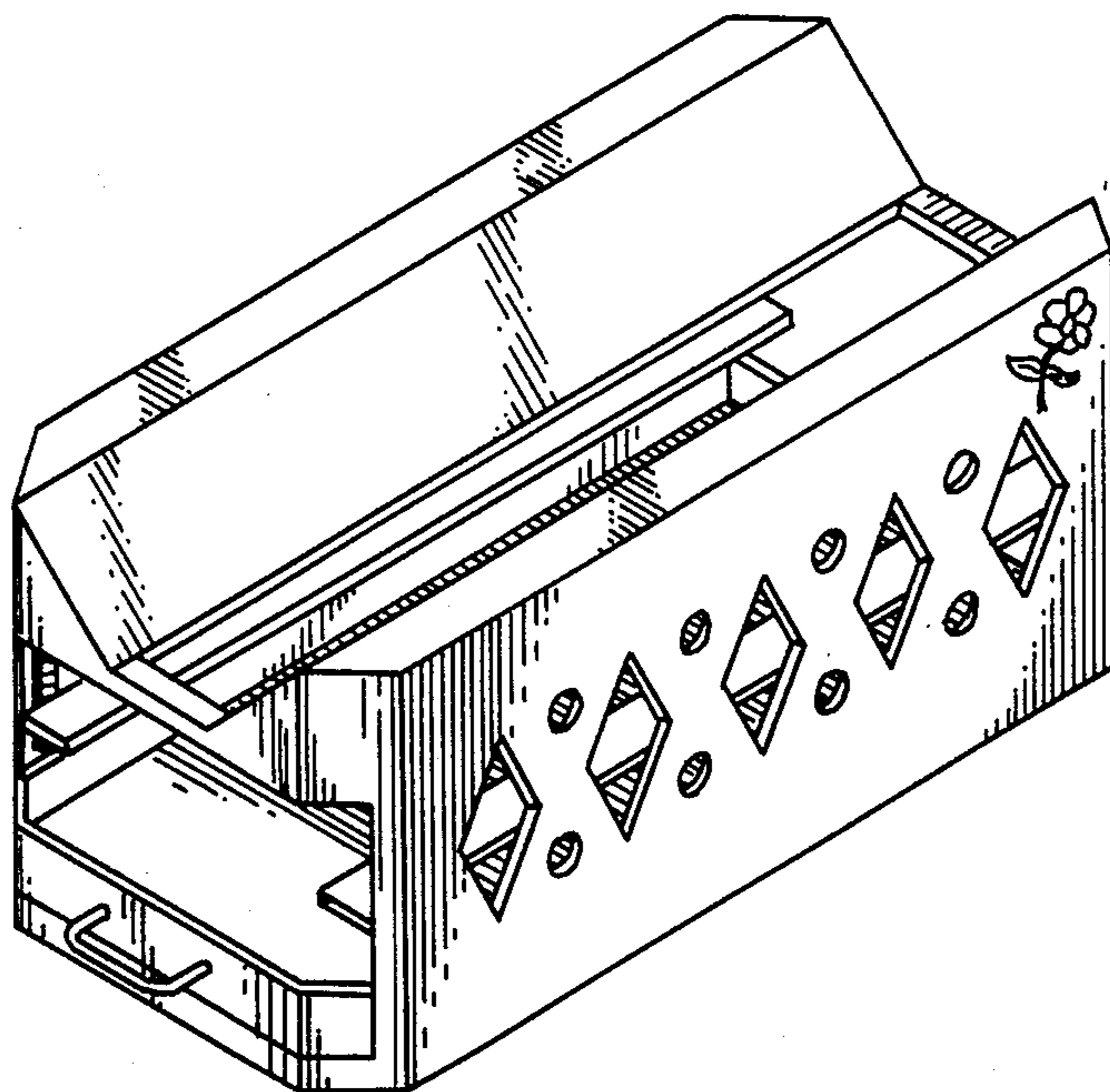
Primary Examiner—Bernard Ansher
Assistant Examiner—Terry A. Pfeffer
Attorney, Agent, or Firm—Terry M. Gernstein

[57] CLAIM

The ornamental design for a bottle holder, as shown and described.

DESCRIPTION

FIG. 1 is a top, front, right side perspective view of a bottle holder showing my new design;
FIG. 2 is a rear elevational view thereof;
FIG. 3 is a top plan view thereof;
FIG. 4 is a left side elevational view thereof.
The undisclosed bottom view is plane and unornamented.



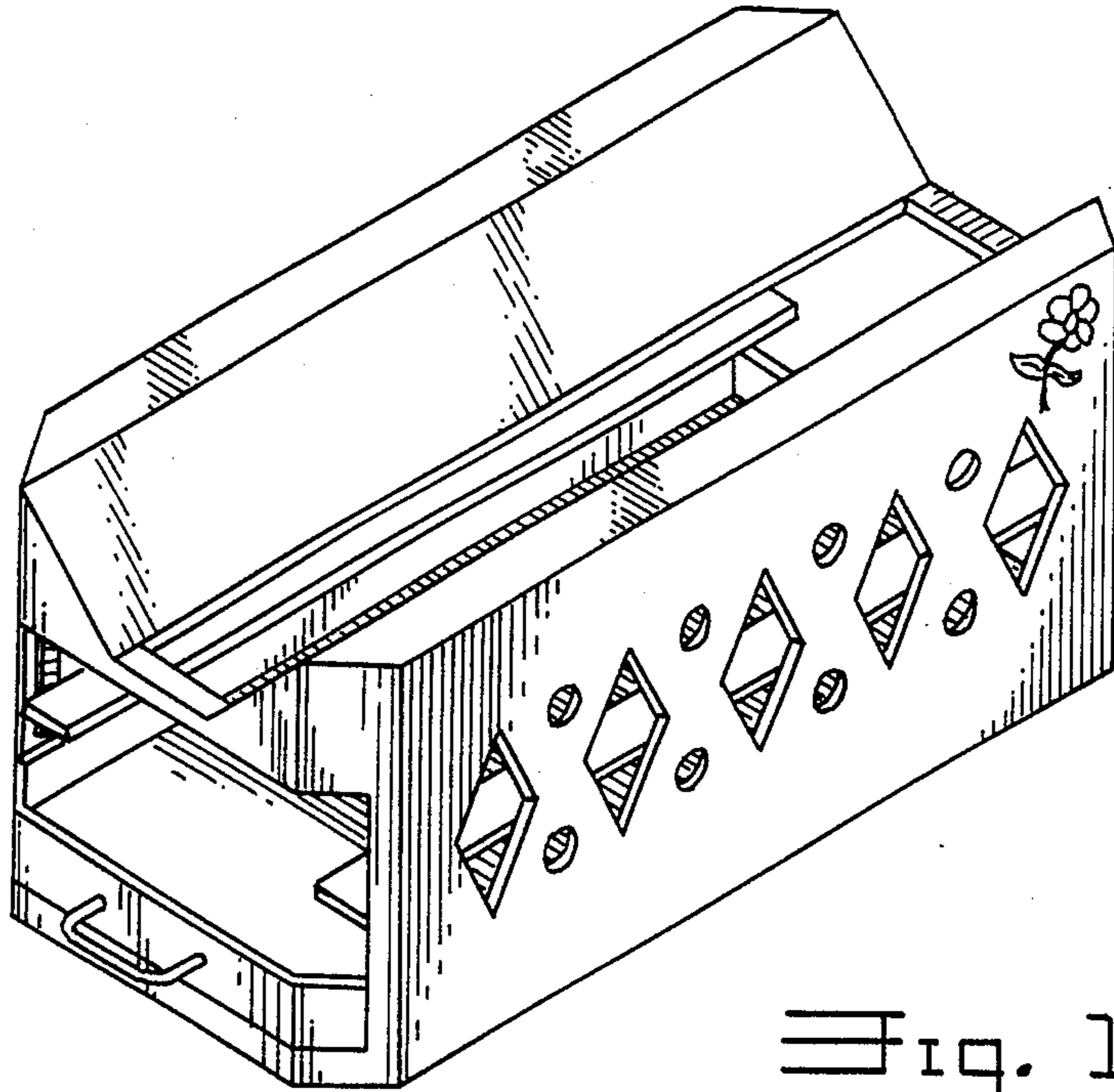


Fig. 1

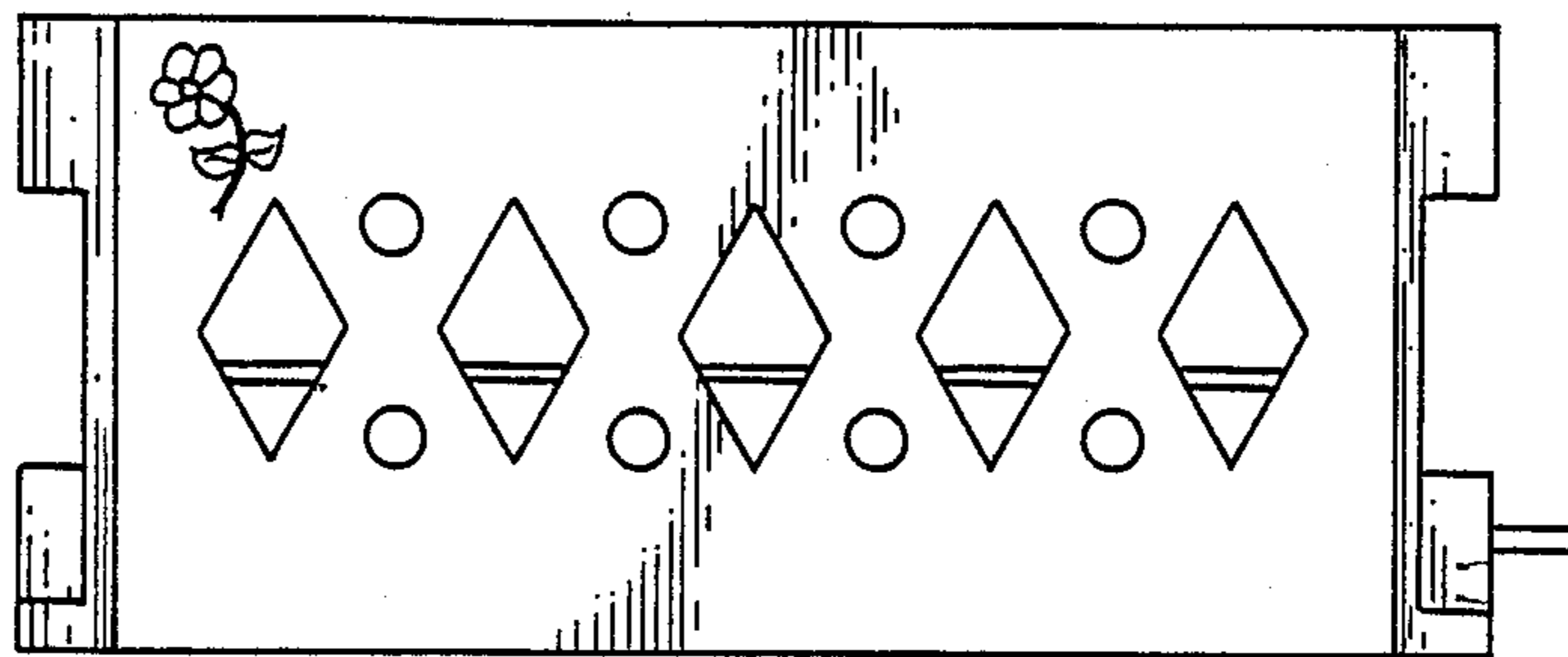


Fig. 2

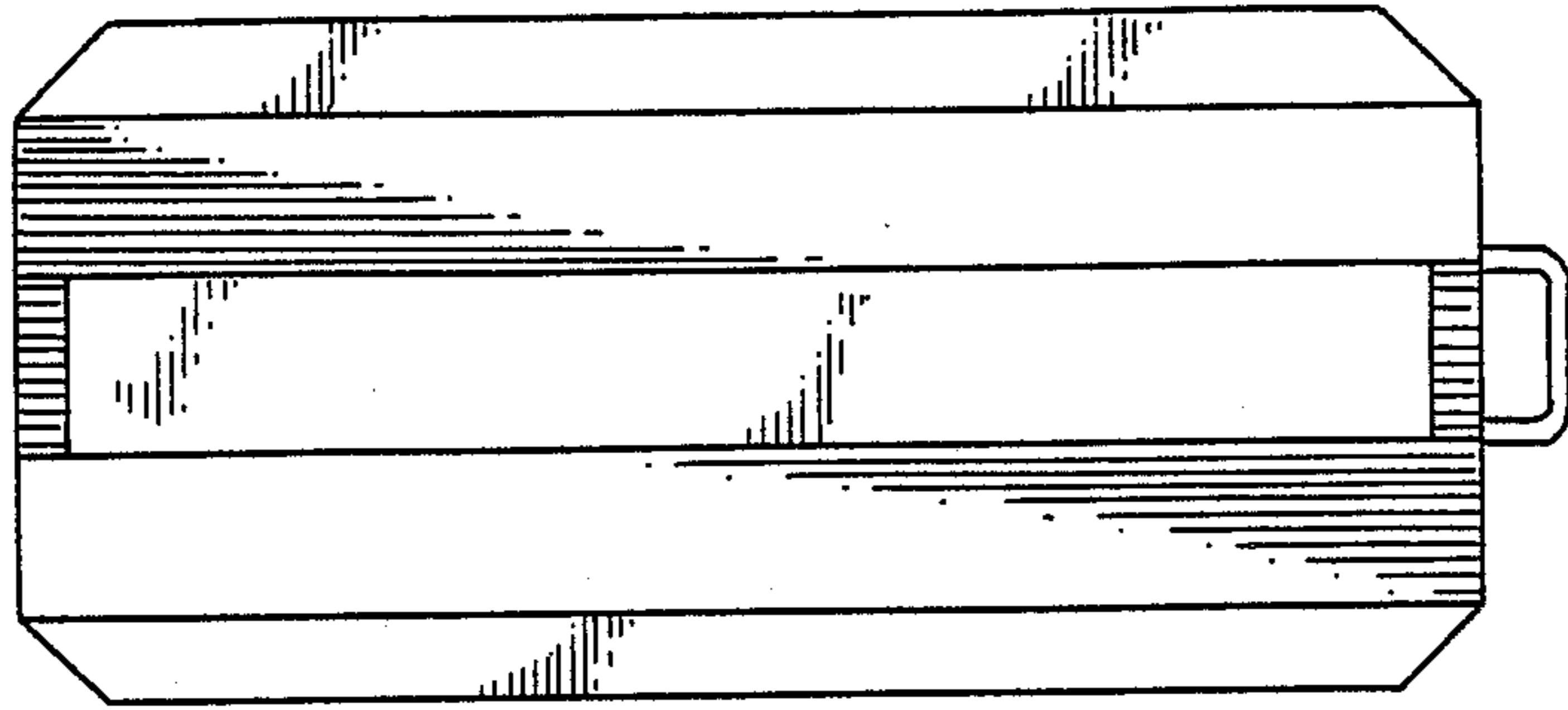


Fig. 3

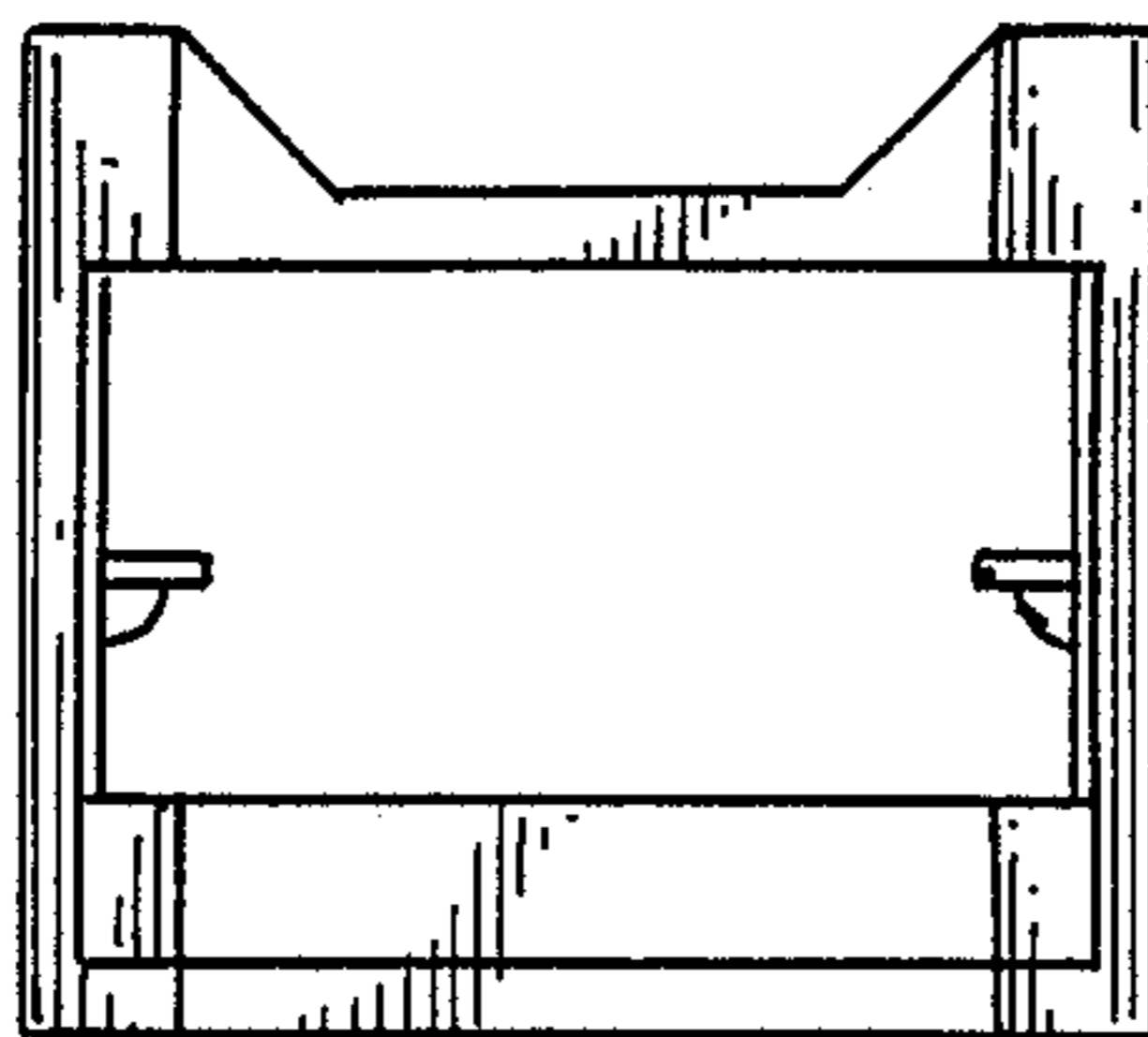


Fig. 4